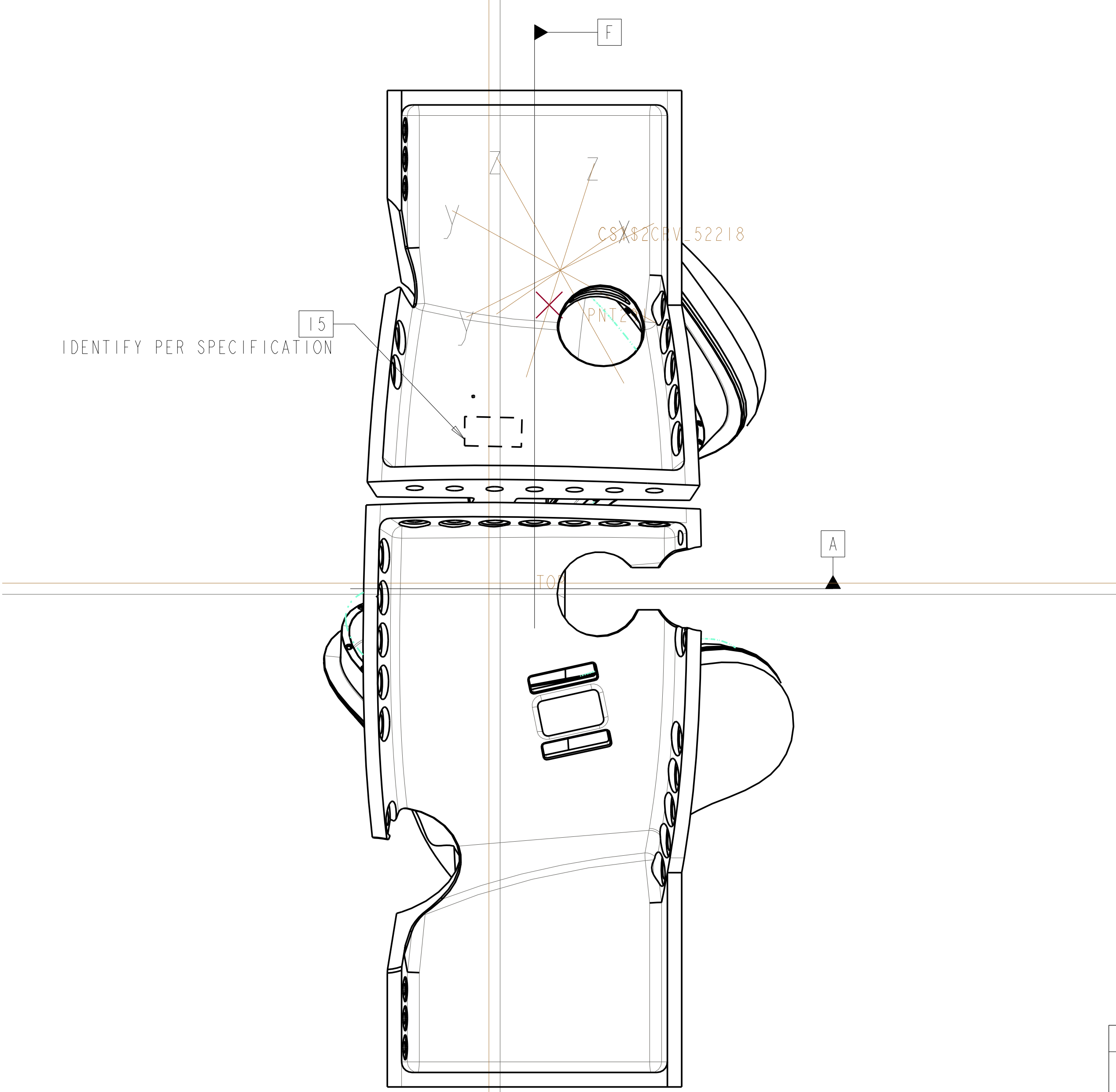
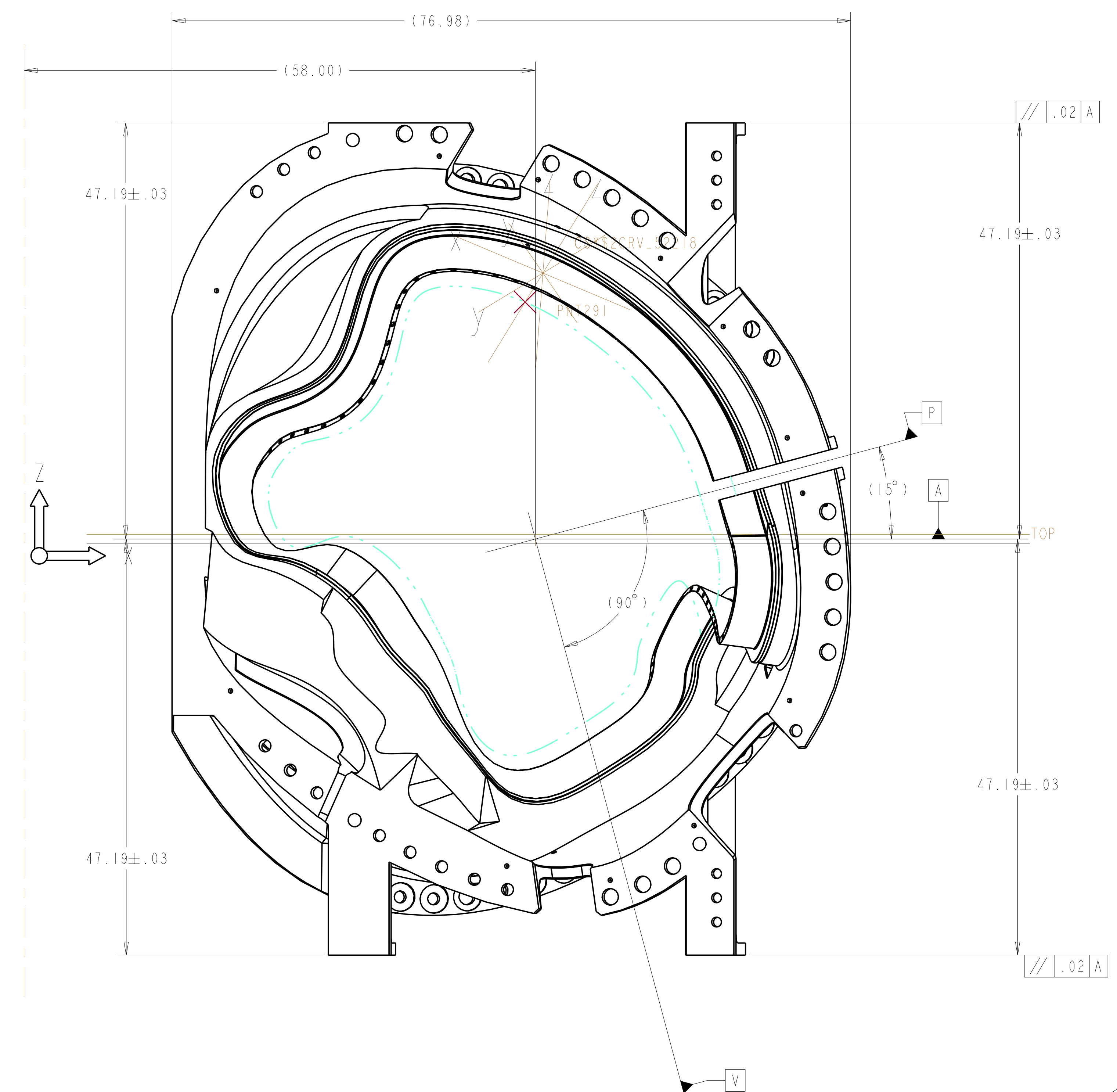


ISOMETRIC VIEW



- NOTES:
- DRAWING PREPARED IN ACCORDANCE WITH ASME Y14.8M-1996.
 - INTERPRET DIMENSIONS AND TOLERANCES PER ANSI Y14.5M-1994.
 - DIMENSIONS ARE IN INCHES.
 - DRAWING DEPICTS FINAL MACHINED STATE OF PART DEFINED BY PRO/ENGINEER FILE SE141-116.PRT.
 - UNLESS OTHERWISE SPECIFIED, DIMENSIONS ARE RELATED TO DATUM A - (PRIMARY X-Y PLANE, TOP) DATUM B - (SECONDARY Y-Z PLANE, SIDE) DATUM C - (TERTIARY X-Z PLANE, FRONT)
 - DIMENSIONS APPLY AT TEMPERATURE OF 20-30°C (68-86°F)
 - DIMENSIONS AND TOLERANCES EXCLUDE PROCESS MATERIAL ALLOWANCES WHICH MAY ADD MASS.
 - APPROXIMATE WEIGHT = 4898 LBS. WEIGHT OF FINISHED PART NOT TO EXCEED 6000 LBS.
 - UNLESS OTHERWISE SPECIFIED, AS-CAST SURFACE PROFILE TOLERANCE = +/- .25 - INCH, WITH EXEMPTION FOR INTERSECTING SURFACES WHERE FILLETS ARE EXPECTED. MIN FILLET AND CORNER RADII = 0.5 +/- 0.1-IN.
 - DESIGNATED SURFACE REGIONS HAVE PROFILE TOLERANCE = +/- 0.125-IN.
 - MIN THICKNESS PER CAD GEOMETRY, TOLERANCE = +0.25-IN / -0.0-IN.
 - PARTING LINE EDGES, FLASH, GATES, RUNNER, AND RISER EXTENSIONS 0.25-IN MAX
 - UNLESS OTHERWISE SPECIFIED, MACHINED SURFACE PROFILE TOLERANCE = +/- 0.01-IN.
 - BACK SPOTFACE ALL THRU HOLES MINIMUM TO CLEAN UP.
 - SEE LATEST REVISION OF SPECIFICATION NCSX-CSPEC-141-03 FOR ADDITIONAL REQUIREMENTS.

| AR | X | SE141-116 | WINDING FORM TYPE-C | CAST SS | SEE NOTE #15 | I |
|-----------|------------------------|-----------------------------|---------------------|---------------|--------------|---|
| CAGE CODE | PART OR IDENTIFYING NO | NOMENCLATURE OR DESCRIPTION | MATERIAL | SPECIFICATION | FIND NO | |
| | | NEXT ASSEMBLY | | | | |

PARTS LIST

SCALE .125

NO REPRESENTATION OR WARRANTY, EXPRESSED OR IMPLIED, IS MADE AS TO THE ACCURACY, COMPLETENESS OR USEFULNESS OF THE INFORMATION OR STATEMENTS CONTAINED IN THESE DRAWINGS, OR THAT THE USE OR DISCLOSURE OF ANY INFORMATION, APPARATUS, METHOD OR PROCESS DISCLOSED IN THESE DRAWINGS MAY NOT INFRINGE PRIVATE RIGHTS OF OTHERS. NO LIABILITY IS ASSUMED WITH RESPECT TO THE USE OF, OR FOR DAMAGES RESULTING FROM THE USE OF, ANY INFORMATION, APPARATUS, METHOD OR PROCESS DISCLOSED IN THESE DRAWINGS. DRAWINGS MADE AVAILABLE FOR INFORMATION TO BIDDER ARE NOT TO BE USED FOR OTHER PURPOSES, AND ARE TO BE RETURNED UPON REQUEST OF THE FORWARDING CONTRACTOR.

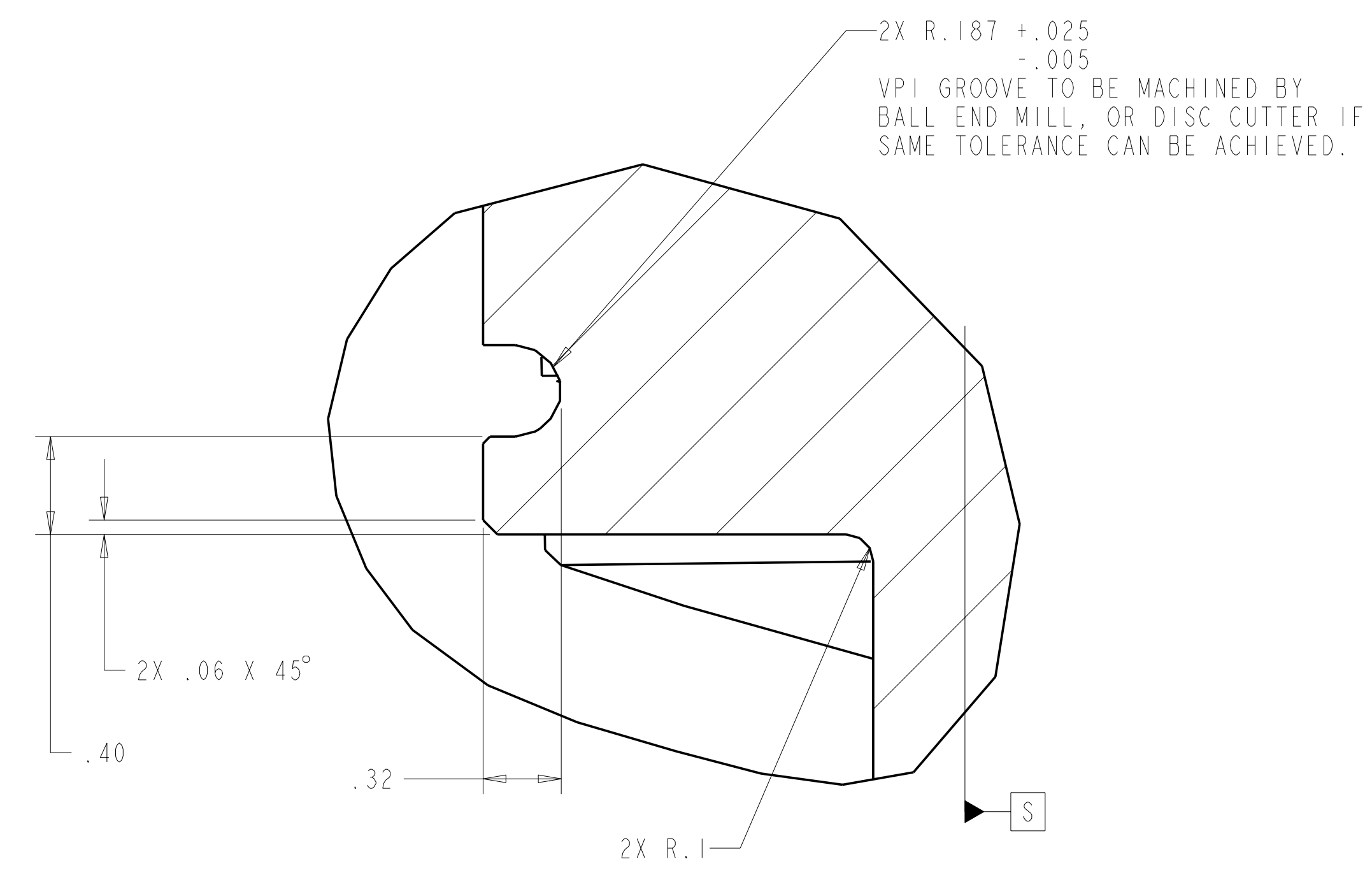
P THIS DRAWING PRODUCED ON PRO-ENGINEER

| REV | DESCRIPTION | BY | DATE | CHK | DEPT | DATE | PE | REQ | DATE | ORNL | DOE | DATE |
|-----|---|-----|------|-----|------|------|-----|-----|------|------|-----|------|
| I | REVERSED UPPER INB VERT SUPP POCKET. | DEW | 7/04 | TGR | | | DEW | | | | | |
| | CHANGED LN2 INLET/OUTLET HOLE DIAMETER. | | | | | | | | | | | |
| | MODIFIED LEAD BLOCK DIMS PER ECN-4883. | | | | | | | | | | | |

| SCALE NOTED | | DES | T BROWN | 5-5-04 |
|---------------------------------------|-------------------|-----------|---------------|---------|
| TOLERANCES UNLESS OTHERWISE SPECIFIED | FRACTIONS | DRW | P MILLER | 5-5-04 |
| | XX DECIMALS | CHK | M. COLE | 6-25-04 |
| | XXX DECIMALS | SECT | | |
| | ANGLES | DEPT | | |
| | BREAK SHARP EDGES | PE | D. WILLIAMSON | 6-25-04 |
| | FINISH | CR | | |
| | | PJ | | |
| | | REO | | |
| | | PPPL DRFT | J. SIEGEL | 6-25-04 |
| | | | | |

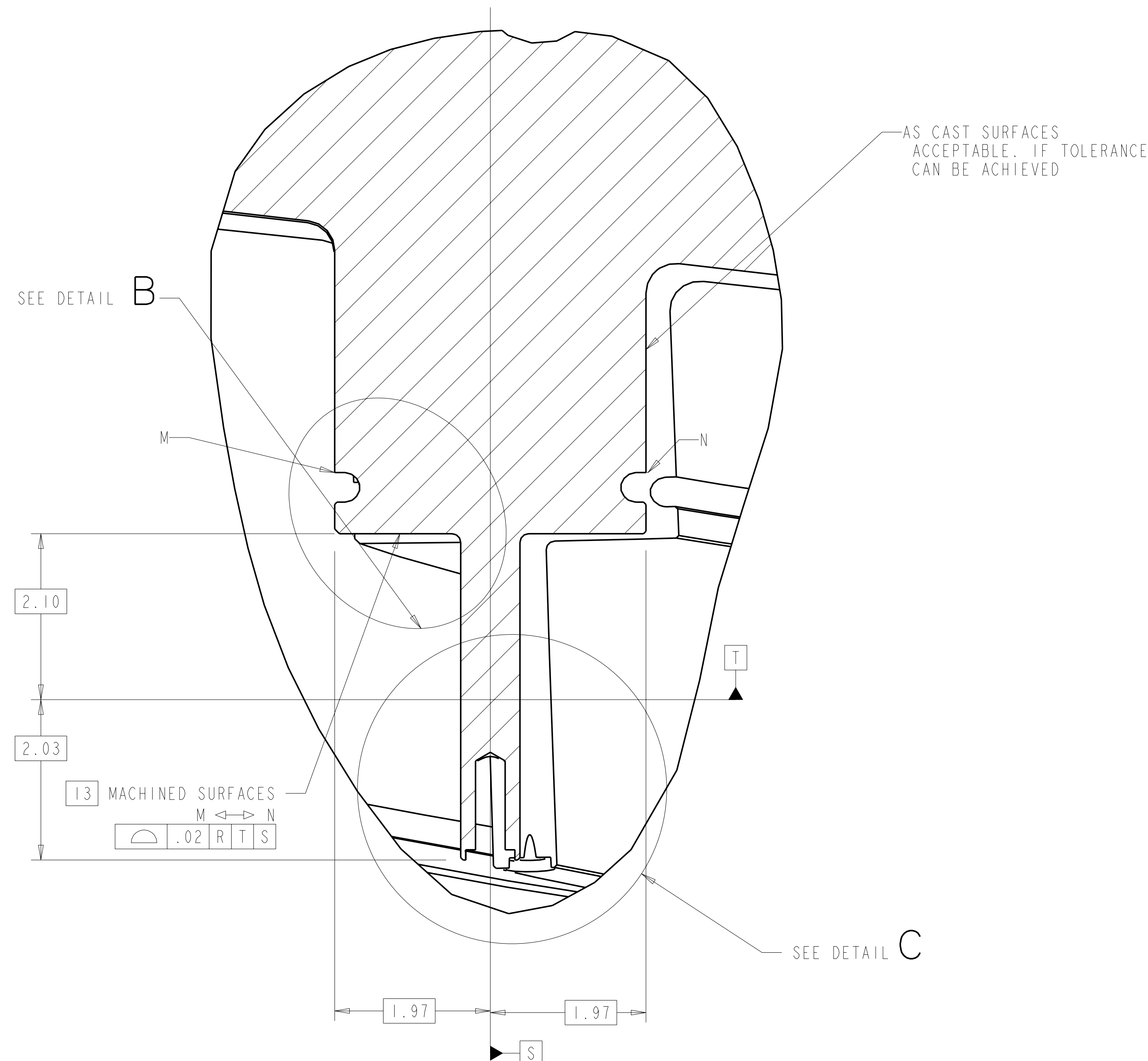
| UT-BATTELLE | | Oak Ridge National Laboratory managed for the DEPARTMENT OF ENERGY under U.S. GOVERNMENT contract DE-AC05-00OR22725 UT-BATTELLE, LLC, Oak Ridge, Tennessee | |
|---|-------|--|----|
| NATIONAL COMPACT STELLARATOR EXPERIMENT | | | |
| PRODUCTION WINDING FORM TYPE-C | | | |
| VERSION NO. | PLANT | BLDG | FL |
| 6 | X-10 | 5700 | 3 |
| RELEASE LEVEL | | | |
| WIP | | | |

FOR NOTES AND PARTS LIST SEE SHEET 1



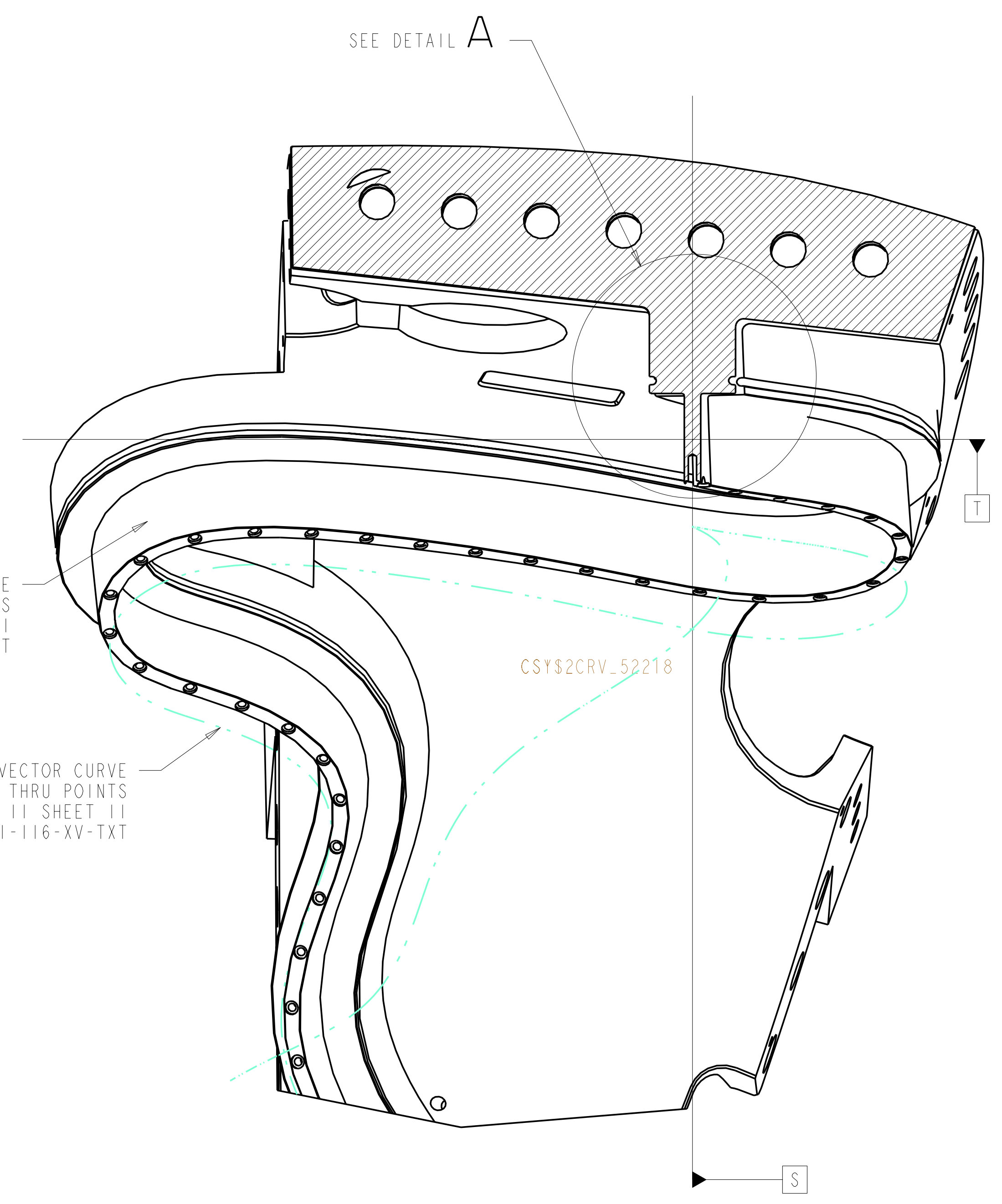
DETAIL B
SCALE 2.000

2X R.187 +.025
-0.005
VP1 GROOVE TO BE MACHINED BY
BALL END MILL, OR DISC CUTTER IF
SAME TOLERANCE CAN BE ACHIEVED.

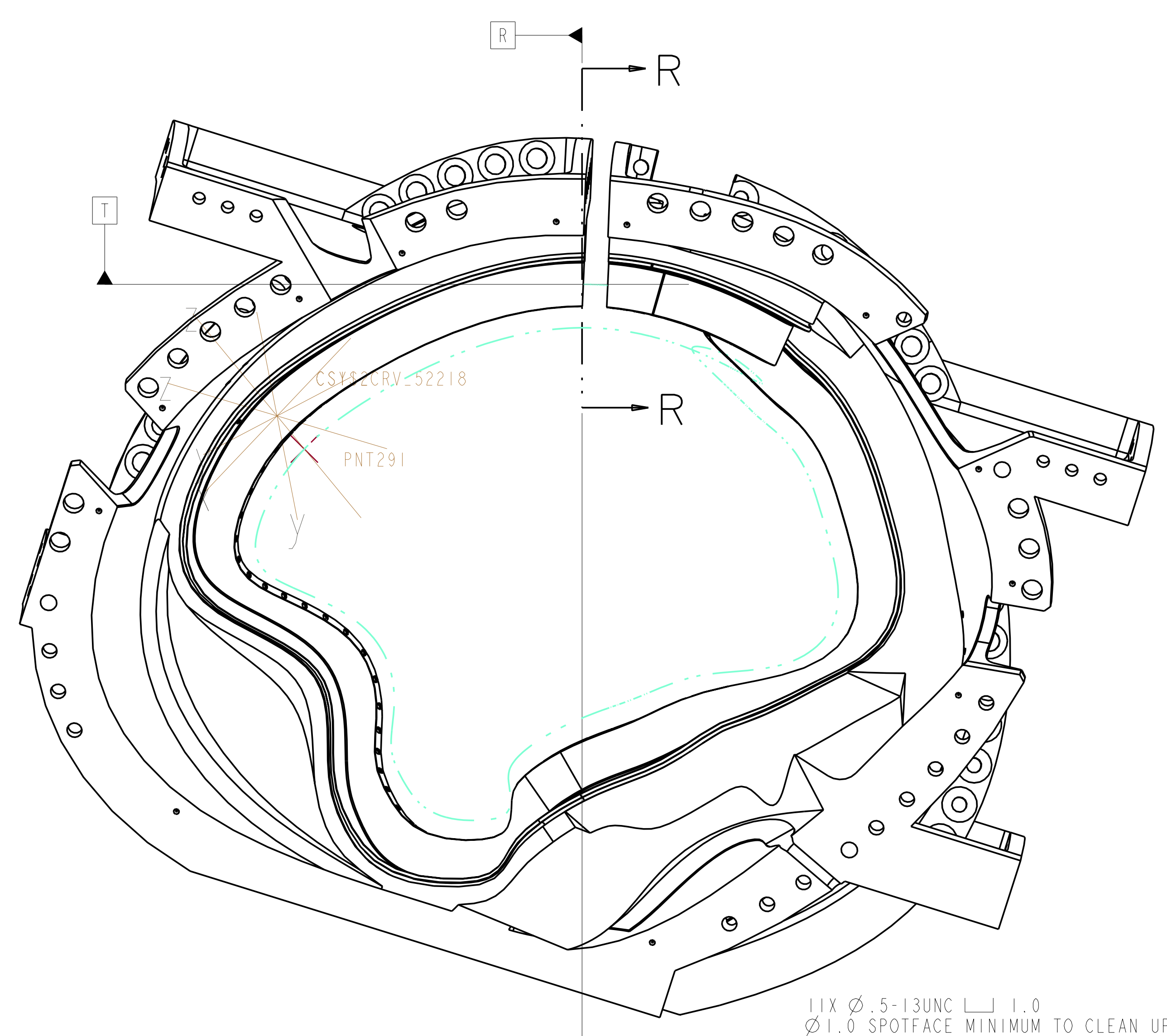


DETAIL A
SCALE 1.00

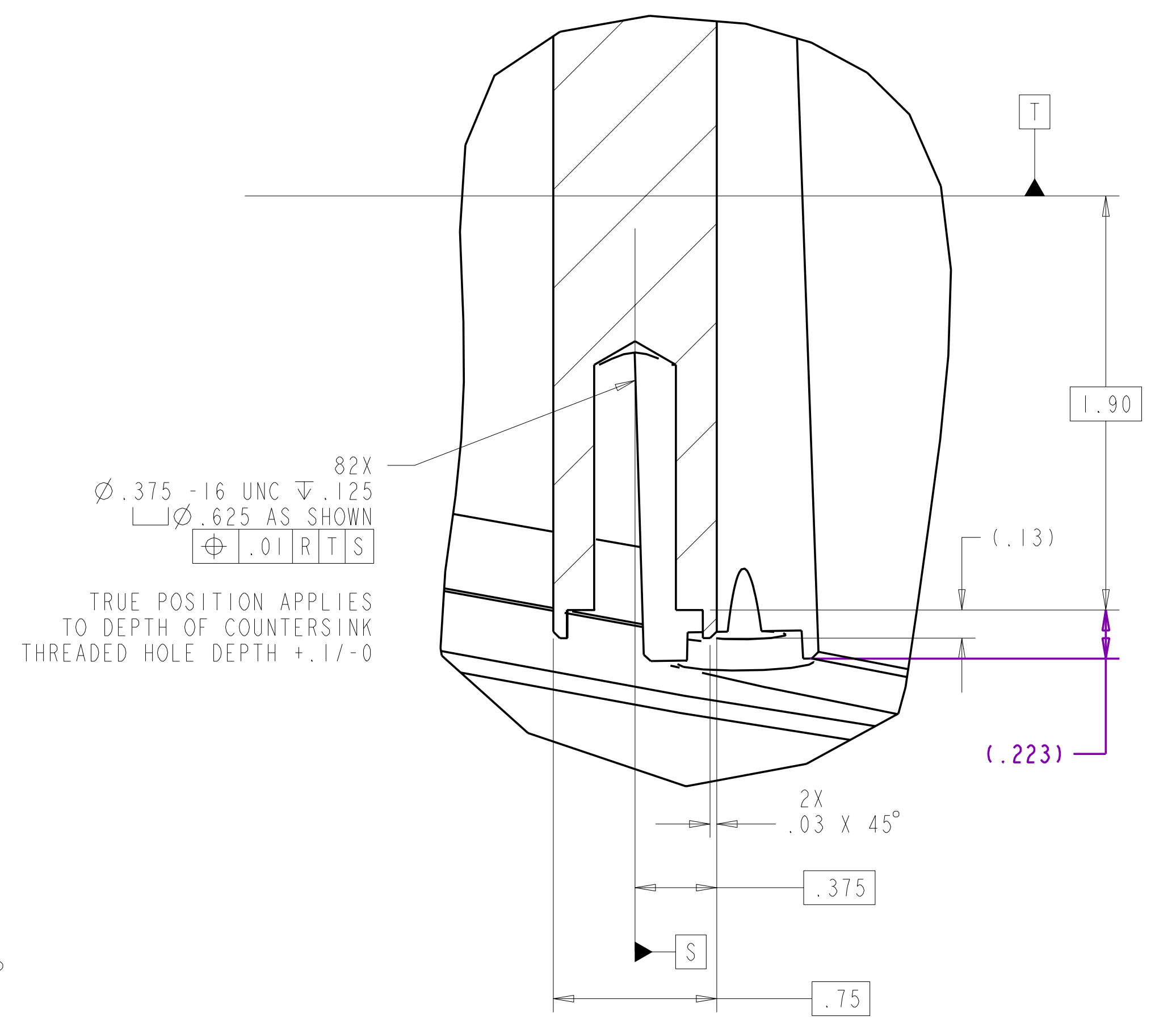
TYPICAL FOR ALL POINTS ALONG WINDING CENTER



SECTION R-R
SCALE 0.25



11X Ø.5-13UNC L 1.0
Ø1.0 SPOTFACE MINIMUM TO CLEAN UP



DETAIL C
SCALE 2.00

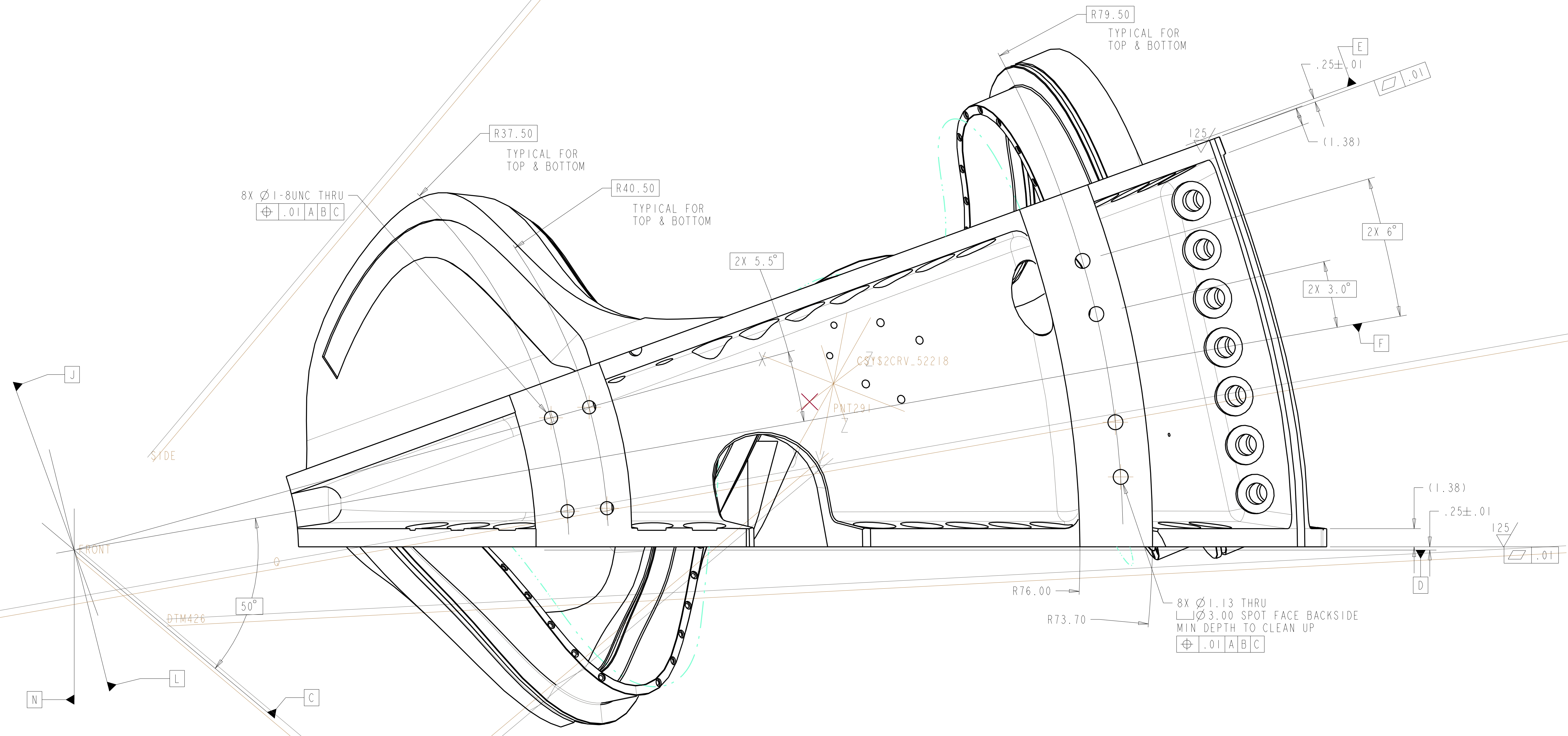
DATUM R = PLANE NORMAL TO WINDING CENTER
DATUM S = PLANE PASSING THRU WINDING CENTER AND X VECTOR AT DATUM R
DATUM T = PLANE PASSING THRU WINDING CENTER ORTHOGONAL TO DATUM S

| | | | |
|--|---------------|---|------------------------------------|
| UT-BATTELLE | | Oak Ridge National Laboratory managed for the DEPARTMENT OF ENERGY under U.S. GOVERNMENT contract DE-AC05-00OR22725 UT-BATTELLE, LLC, Oak Ridge, Tennessee | |
| NATIONAL COMPACT STELLARATOR EXPERIMENT | | | |
| PRODUCTION WINDING FORM TYPE-C | | | |
| VERSION NO. 6 | PLANT X-10 | BLDG 5700 | FL SHT OF TYPE CLASS 3 2 11 S U |
| RELEASE LEVEL WIP | SE141-116 | | REV 1 |

H
G
F
E
D
C
B
A

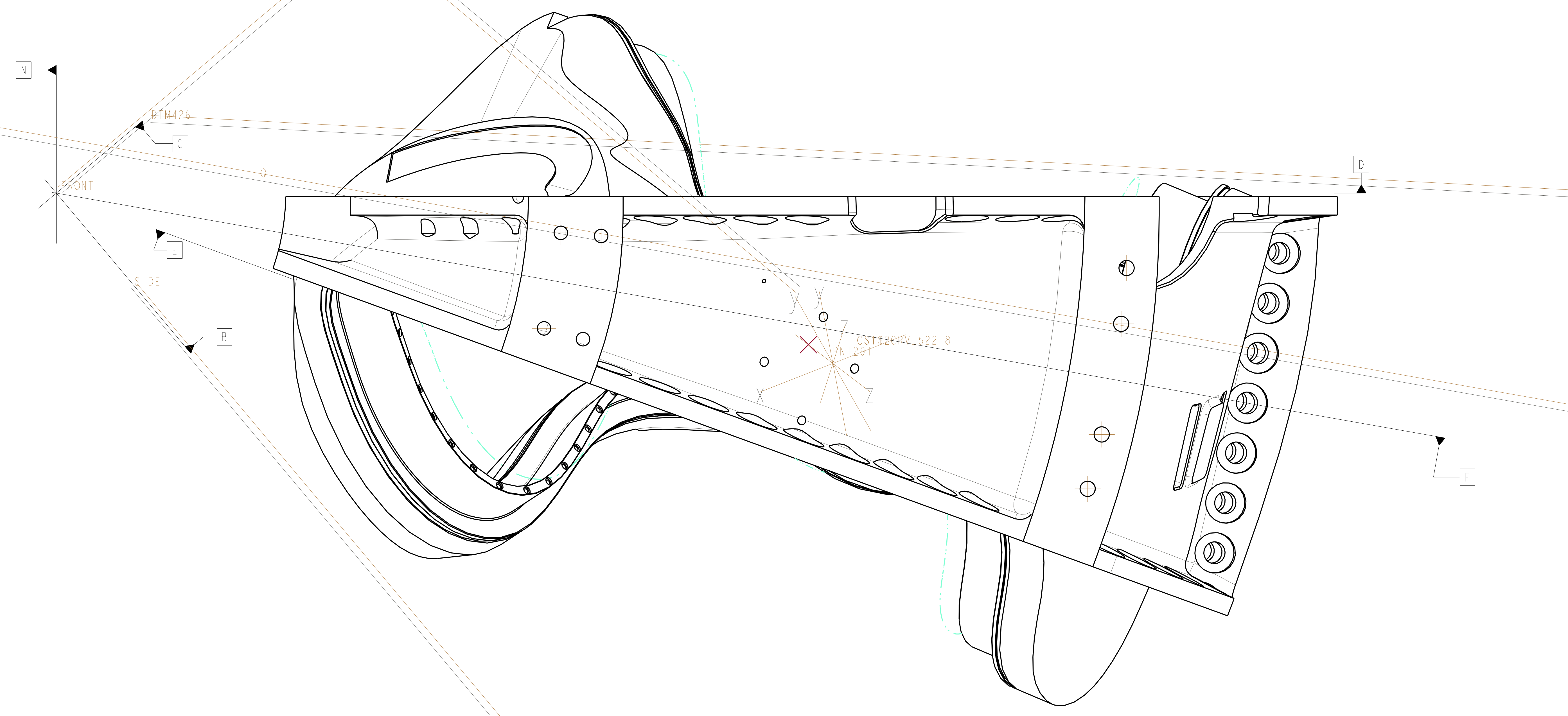
SE141-116

FOR NOTES AND PARTS LIST SEE SHEET 1



TOP VIEW
SCALE 0.25

DATUMS A B & C ARE MACHINE SPECIFIC.
ALL OTHER DATUMS LISTED ON THIS DRAWING
ARE SPECIFIC TO THIS PART



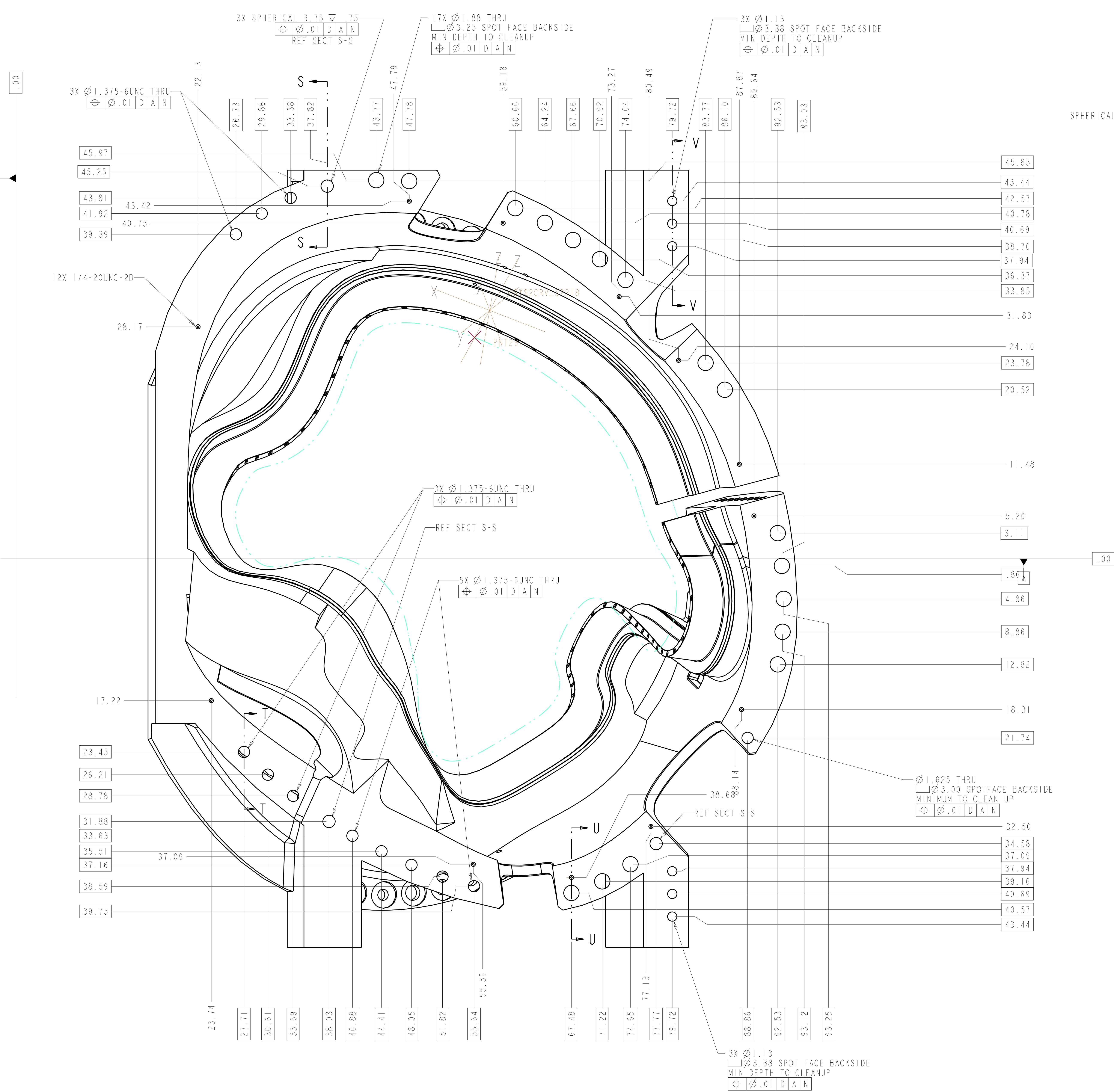
BOTTOM VIEW
SCALE 0.25

| | | | | | | | |
|--|-------|-----------|----|--------|------|-------|---|
| UT-BATTELLE Oak Ridge National Laboratory managed for the DEPARTMENT OF ENERGY under U.S. GOVERNMENT contract DE-AC05-00OR22725 UT-BATTELLE, LLC, Oak Ridge, Tennessee PROJECT NAME | | | | | | | |
| NATIONAL COMPACT STELLARATOR EXPERIMENT | | | | | | | |
| PRODUCTION WINDING FORM TYPE-C | | | | | | | |
| VERSION NO. | PLANT | BLDG | FL | SHT OF | TYPE | CLASS | |
| 6 | X-10 | 5700 | 3 | 3 | 11 | S | U |
| RELEASE LEVEL | | SEI41-116 | | | | | |
| WIP | | | | | | | |

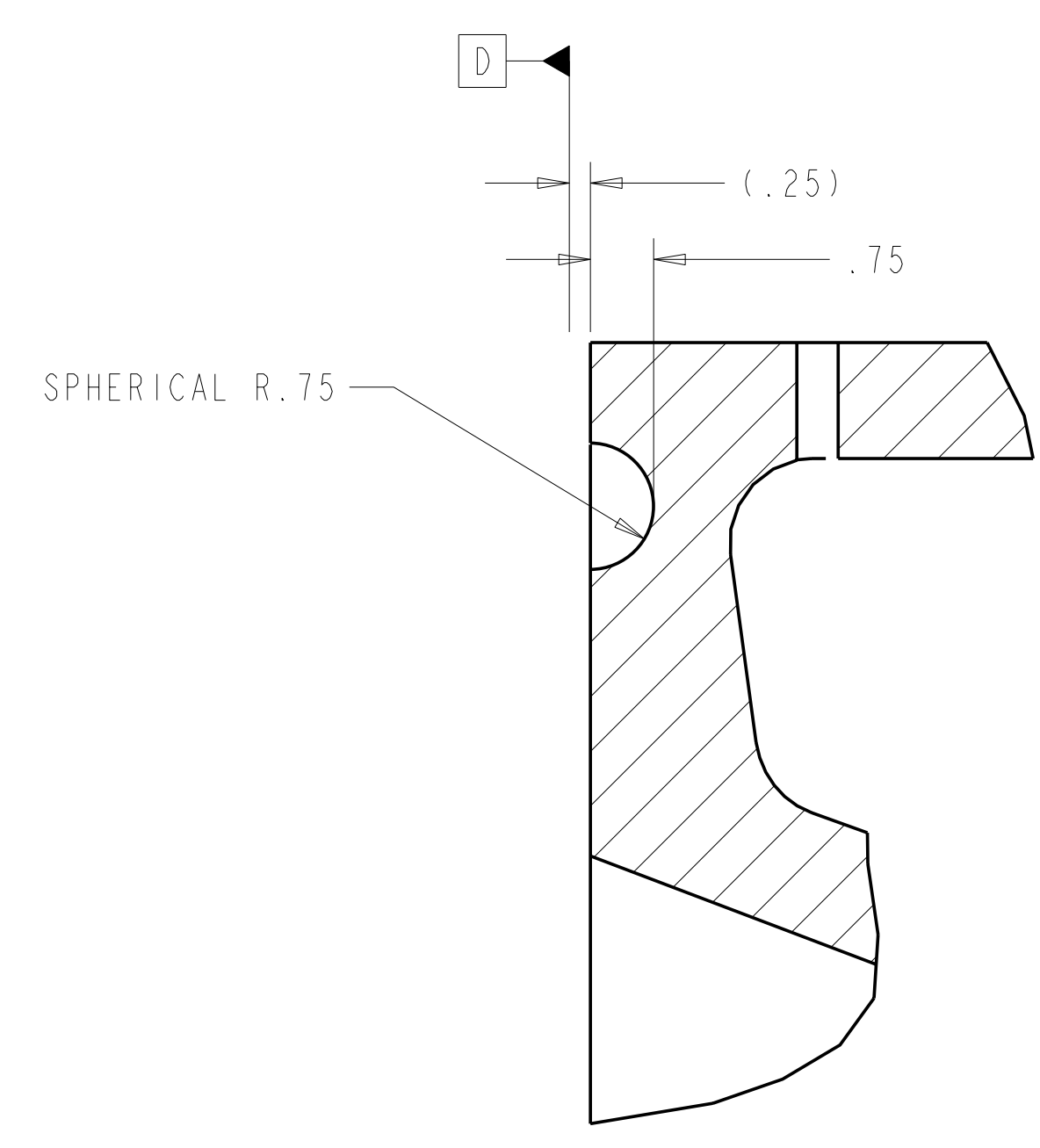
SEI41-116

A

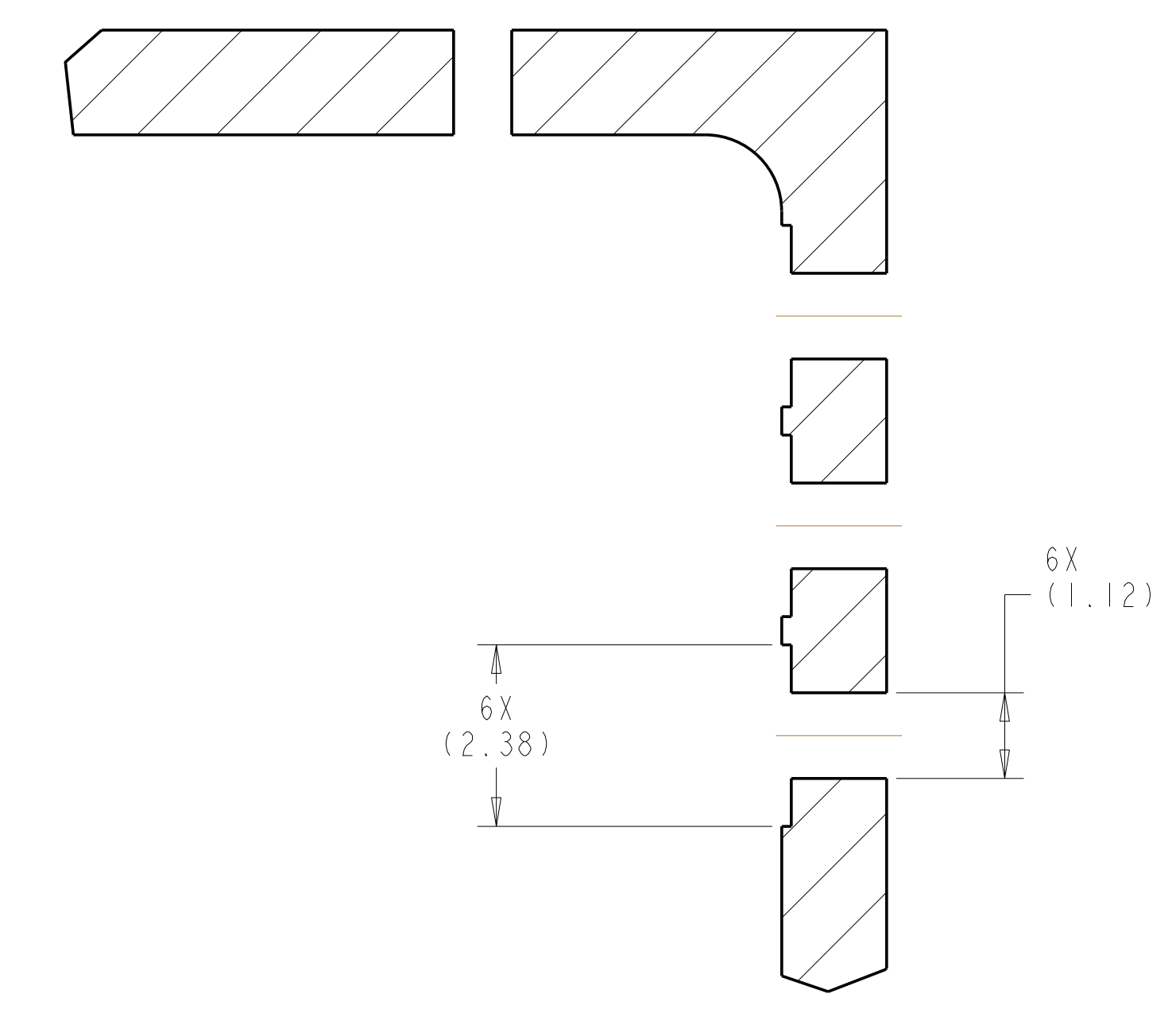
FOR NOTES AND PARTS LIST SEE SHEET 1



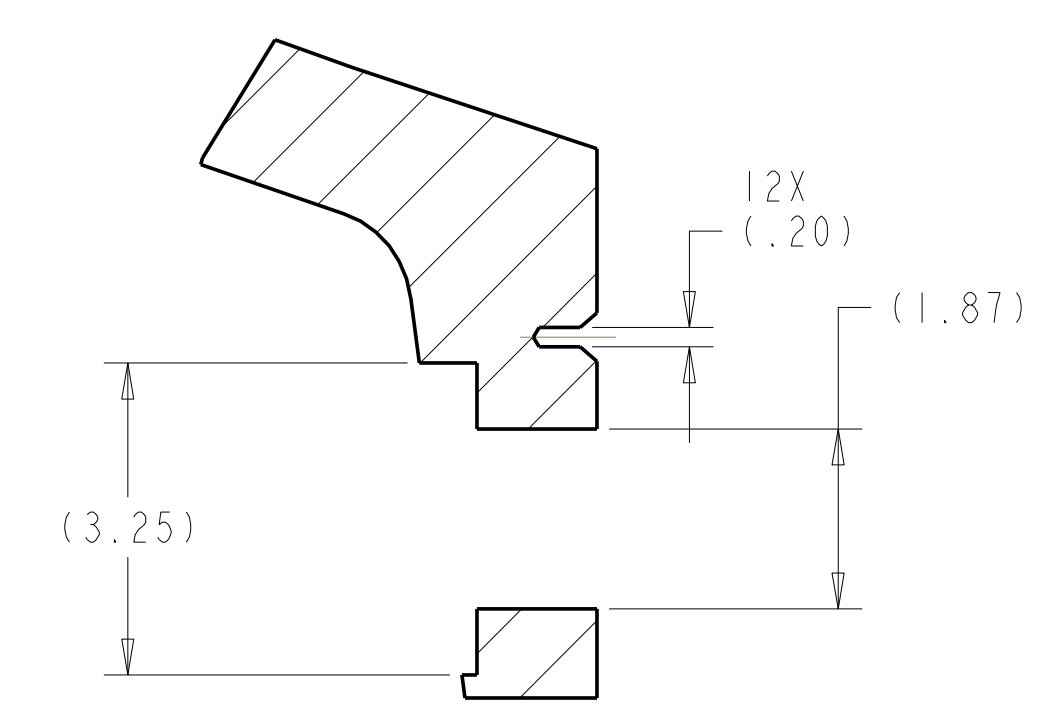
VIEW AT DATUM D
 SCALE 0.20



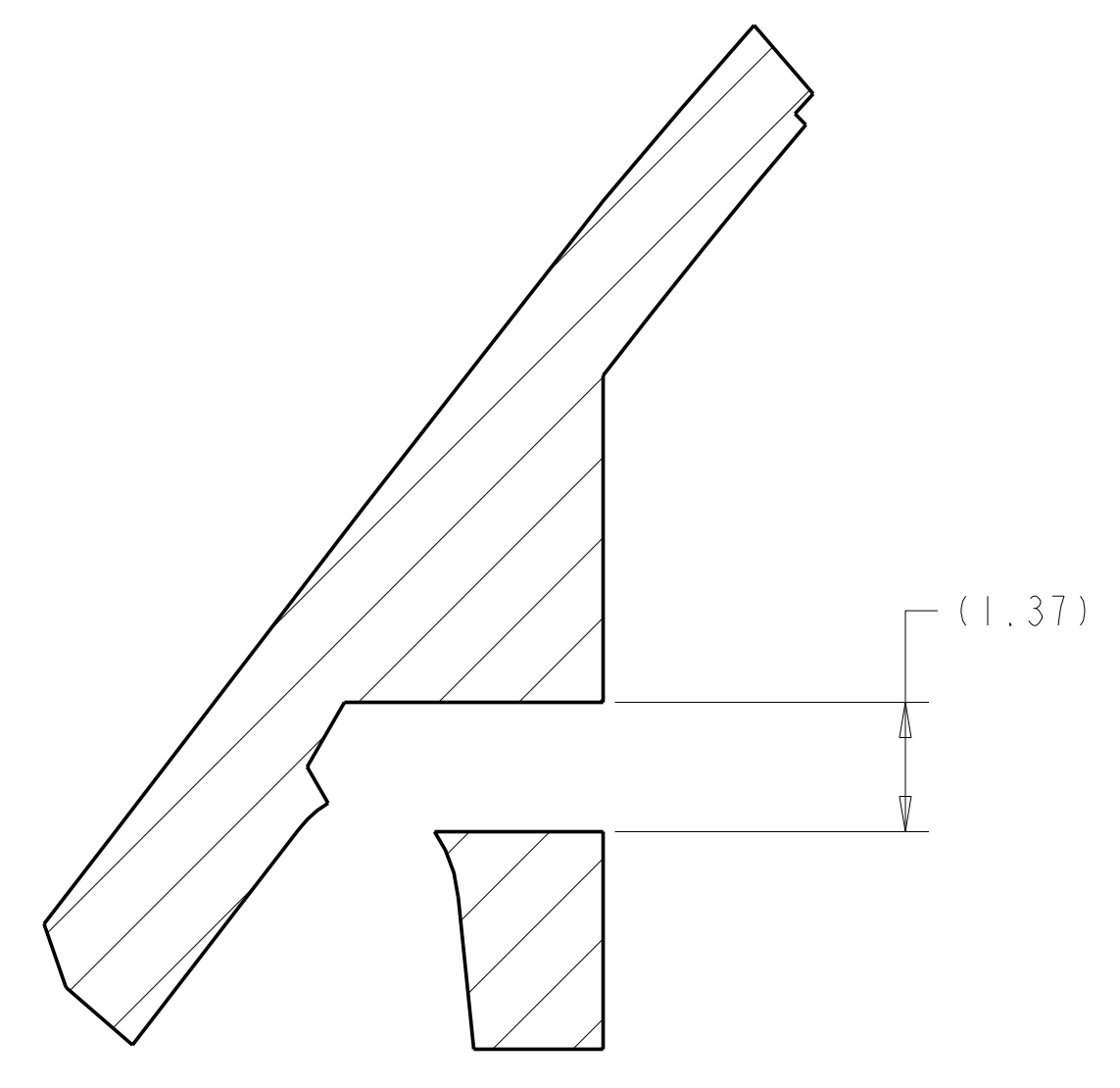
SECTION S-S
 SCALE 0.50



SECTION V-V
 SCALE 0.50



SECTION U-U
 SCALE 0.50

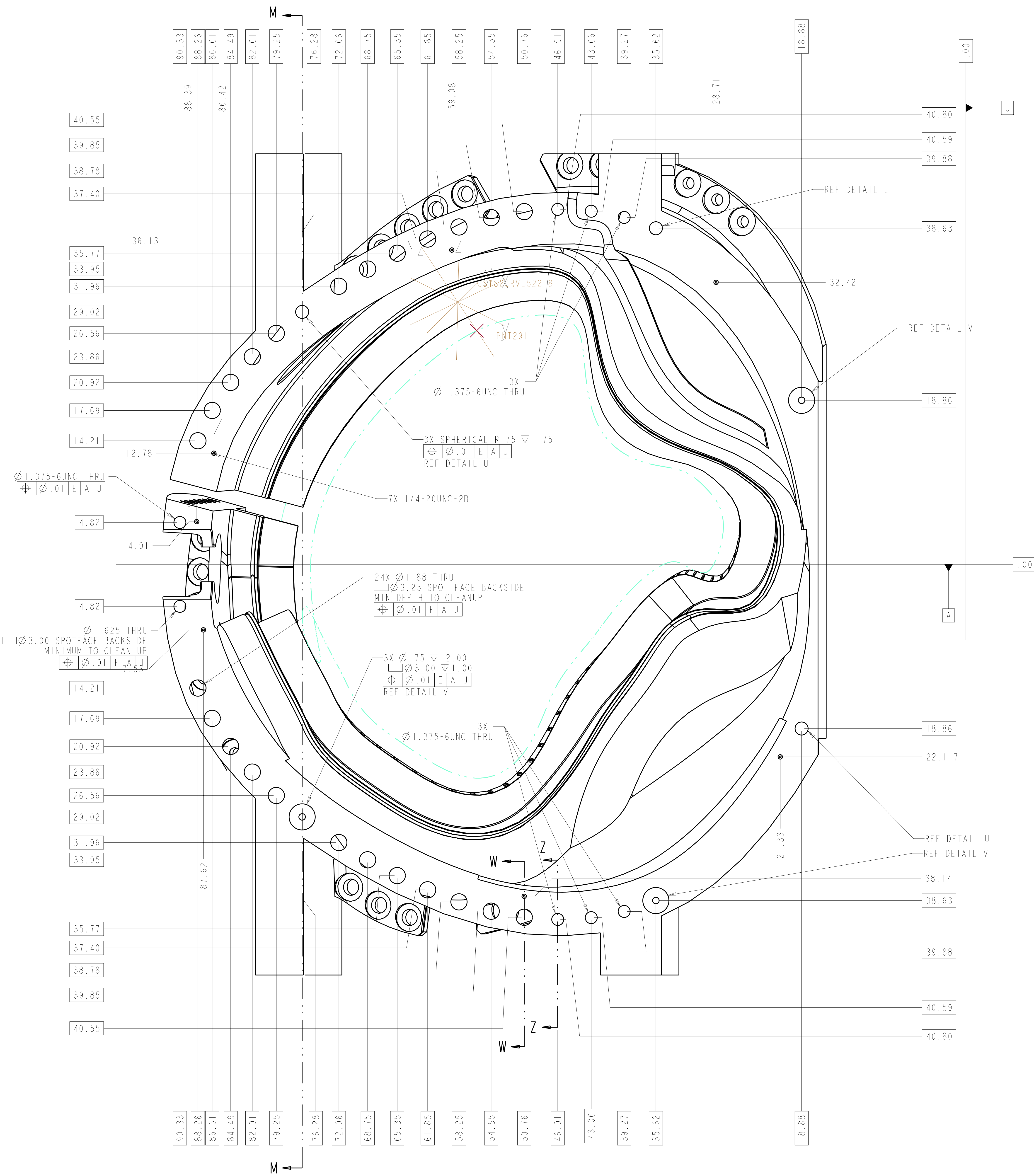


SECTION T-T
 SCALE 0.50

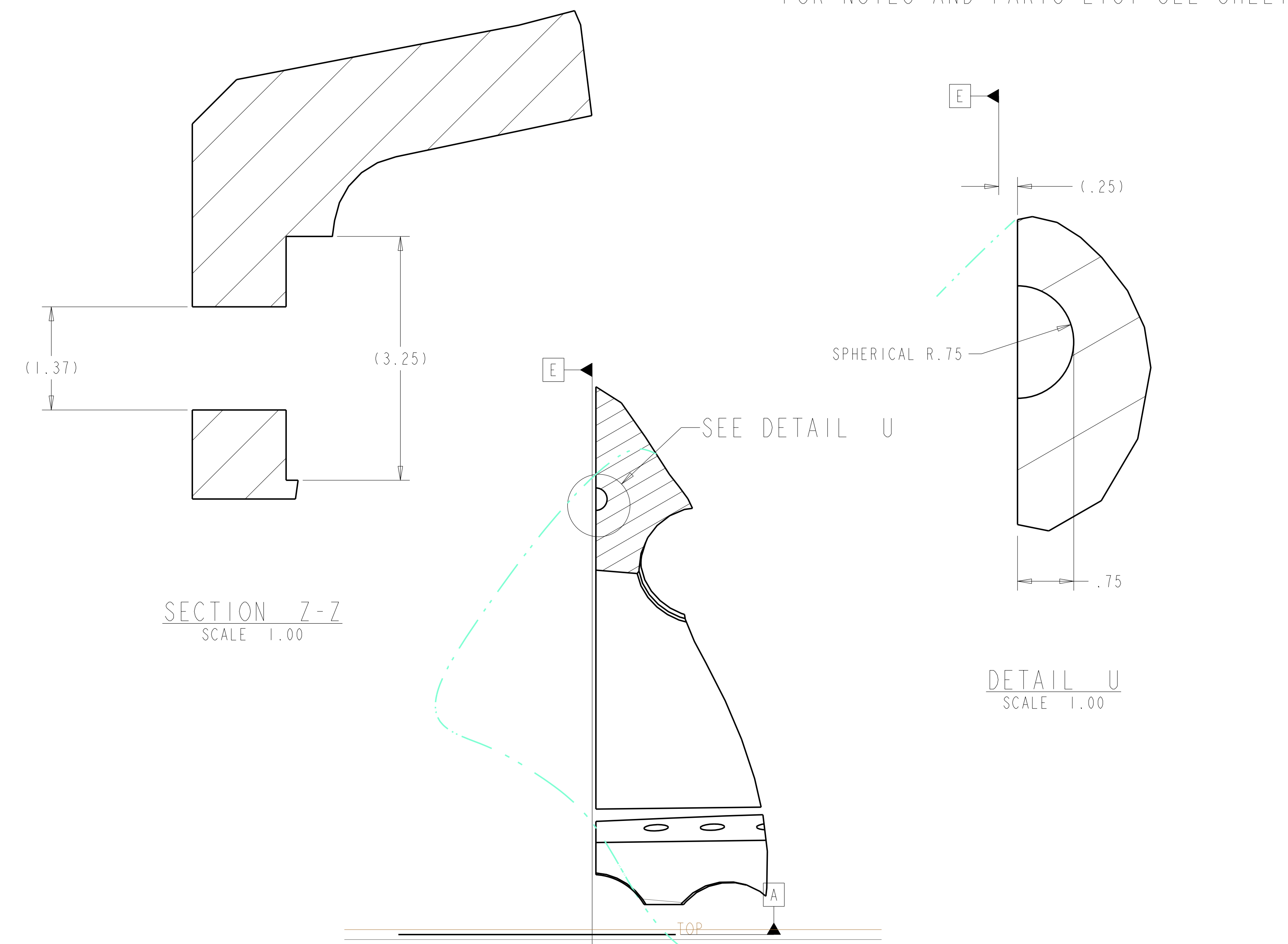
| | | | | | | | |
|--|-----------|------|----|--------|------|-------|-----|
| Oak Ridge National Laboratory managed for the DEPARTMENT OF ENERGY under U.S. GOVERNMENT contract DE-AC05-00OR22725 UT-BATTELLE, LLC, Oak Ridge, Tennessee PROJECT NAME: | | | | | | | |
| UT-BATTELLE NATIONAL COMPACT STELLARATOR EXPERIMENT | | | | | | | |
| PRODUCTION WINDING FORM TYPE-C | | | | | | | |
| VERSION NO. | PLANT | BLDG | FL | SHT OF | TYPE | CLASS | |
| 6 | X-10 | 5700 | 3 | 4 | 11 | S | U |
| RELEASE LEVEL | SEI41-116 | | | | | | REV |
| WIP | | | | | | | 1 |

H
G
F
E
D
C
B
A
 SEI41-116

FOR NOTES AND PARTS LIST SEE SHEET 1

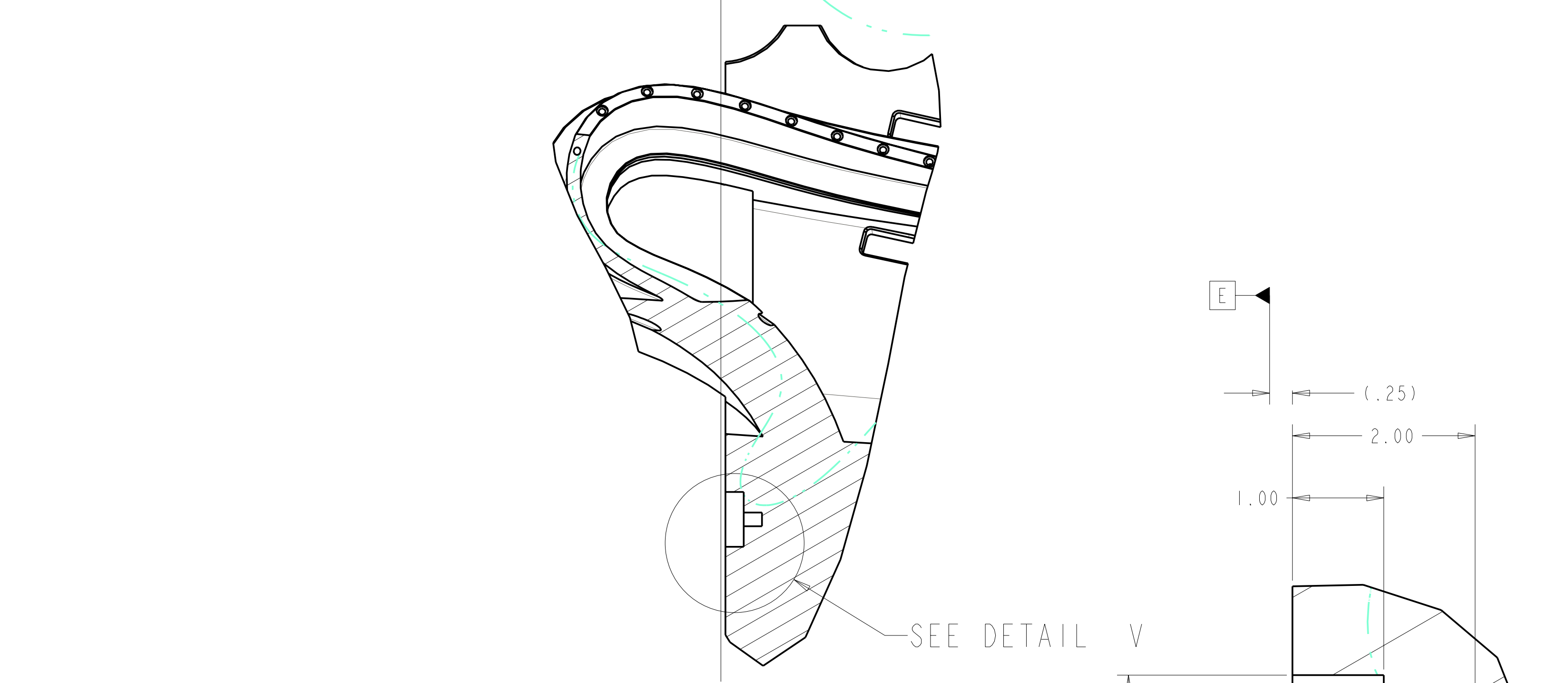


VIEW AT DATUM E
SCALE 0.20



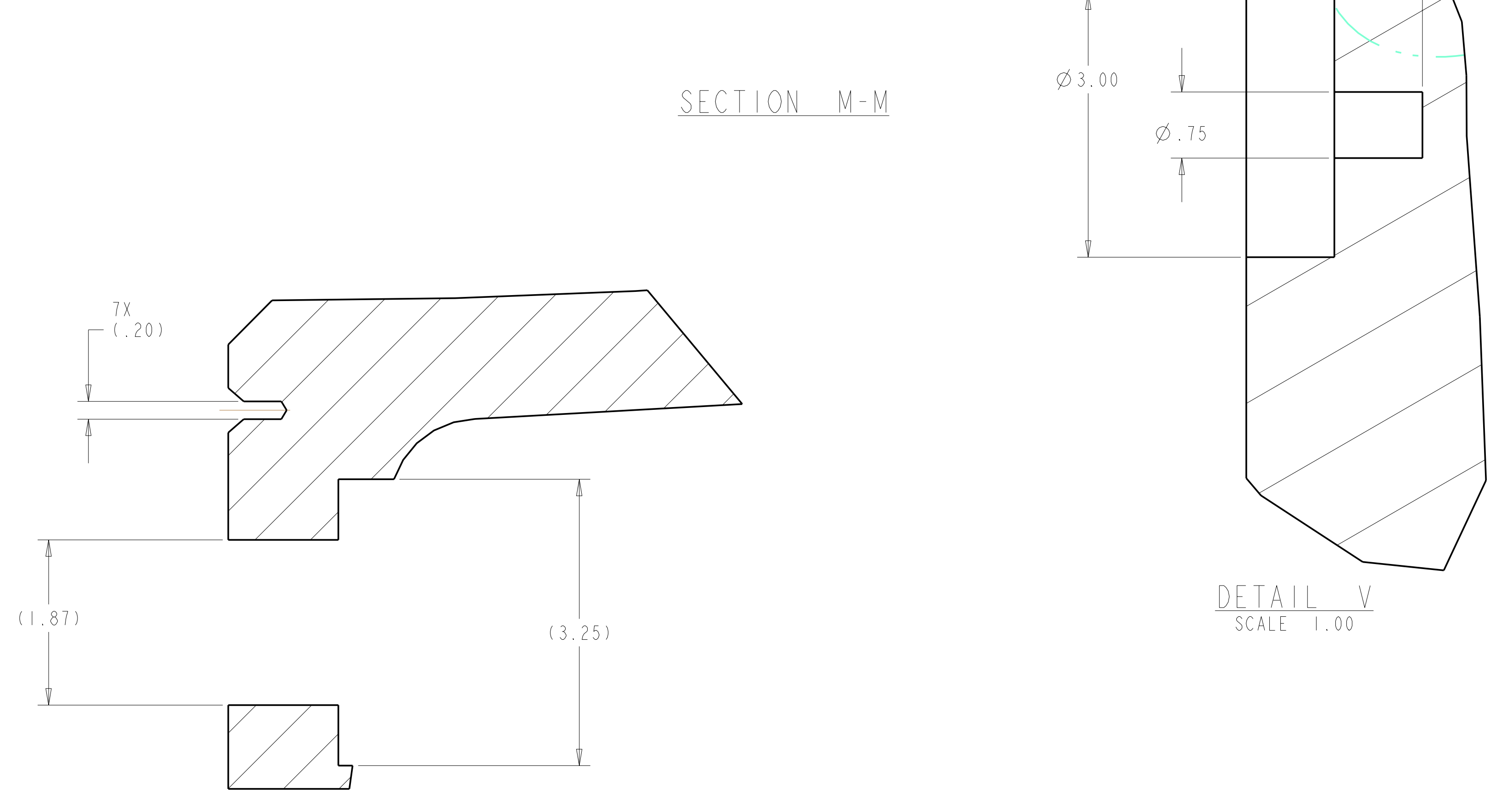
SECTION Z-Z
SCALE 1.00

DETAIL U
SCALE 1.00



SECTION M-M
SCALE 1.00

DETAIL V
SCALE 1.00

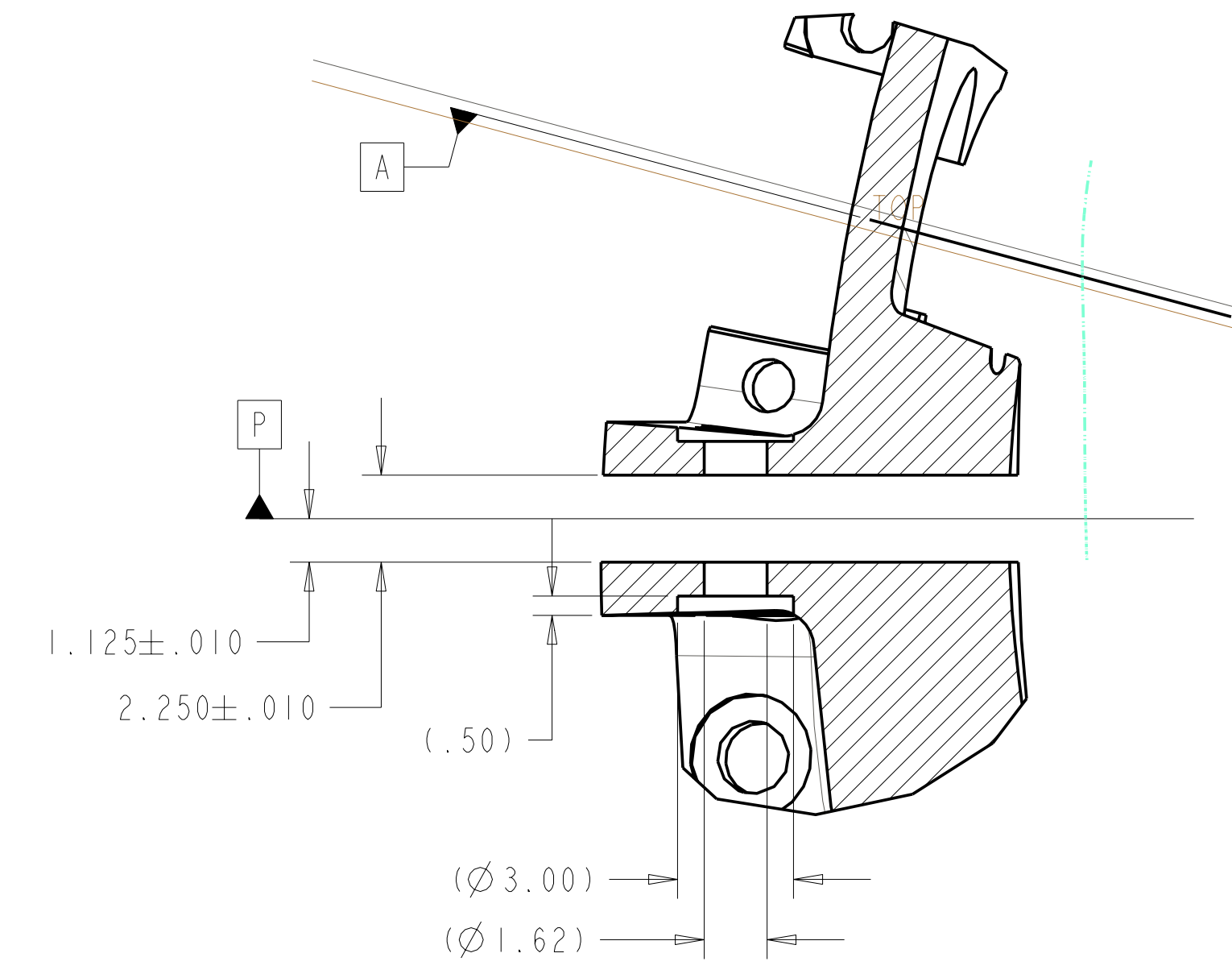
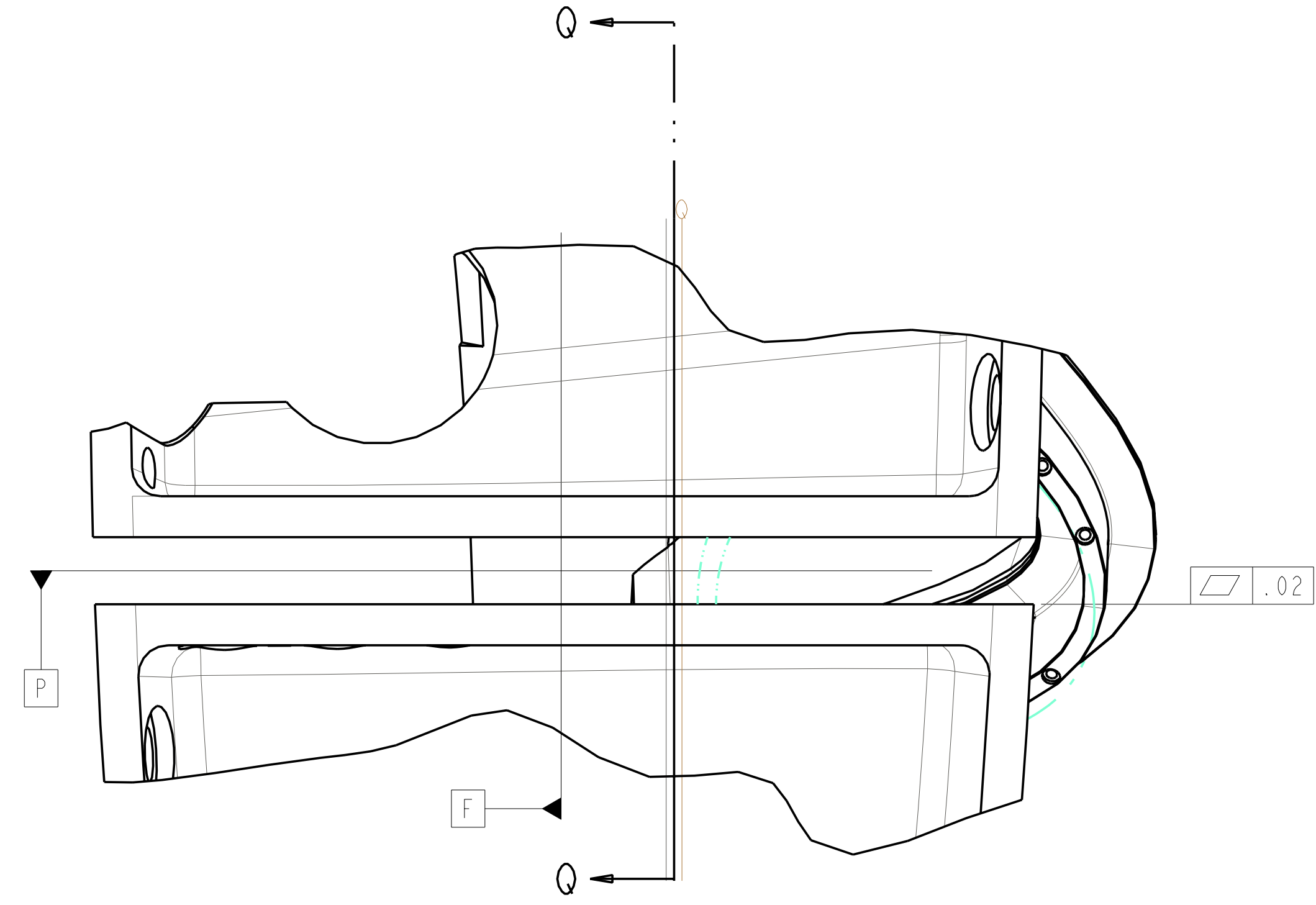
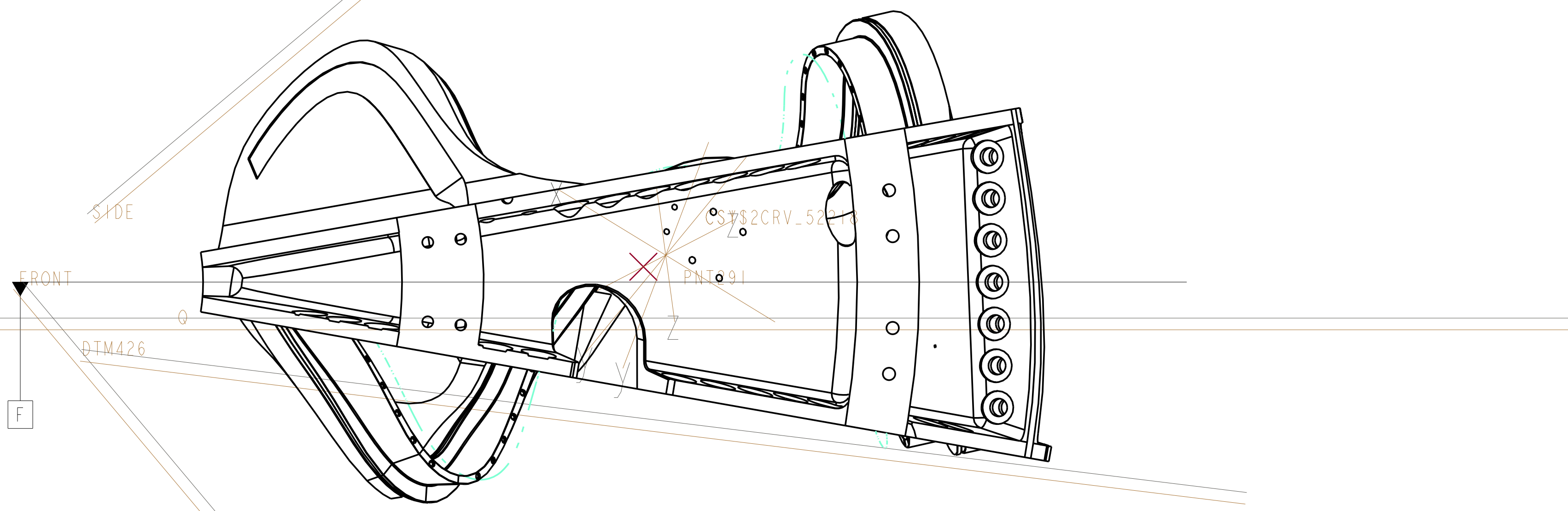


SECTION W-W
SCALE 1.00

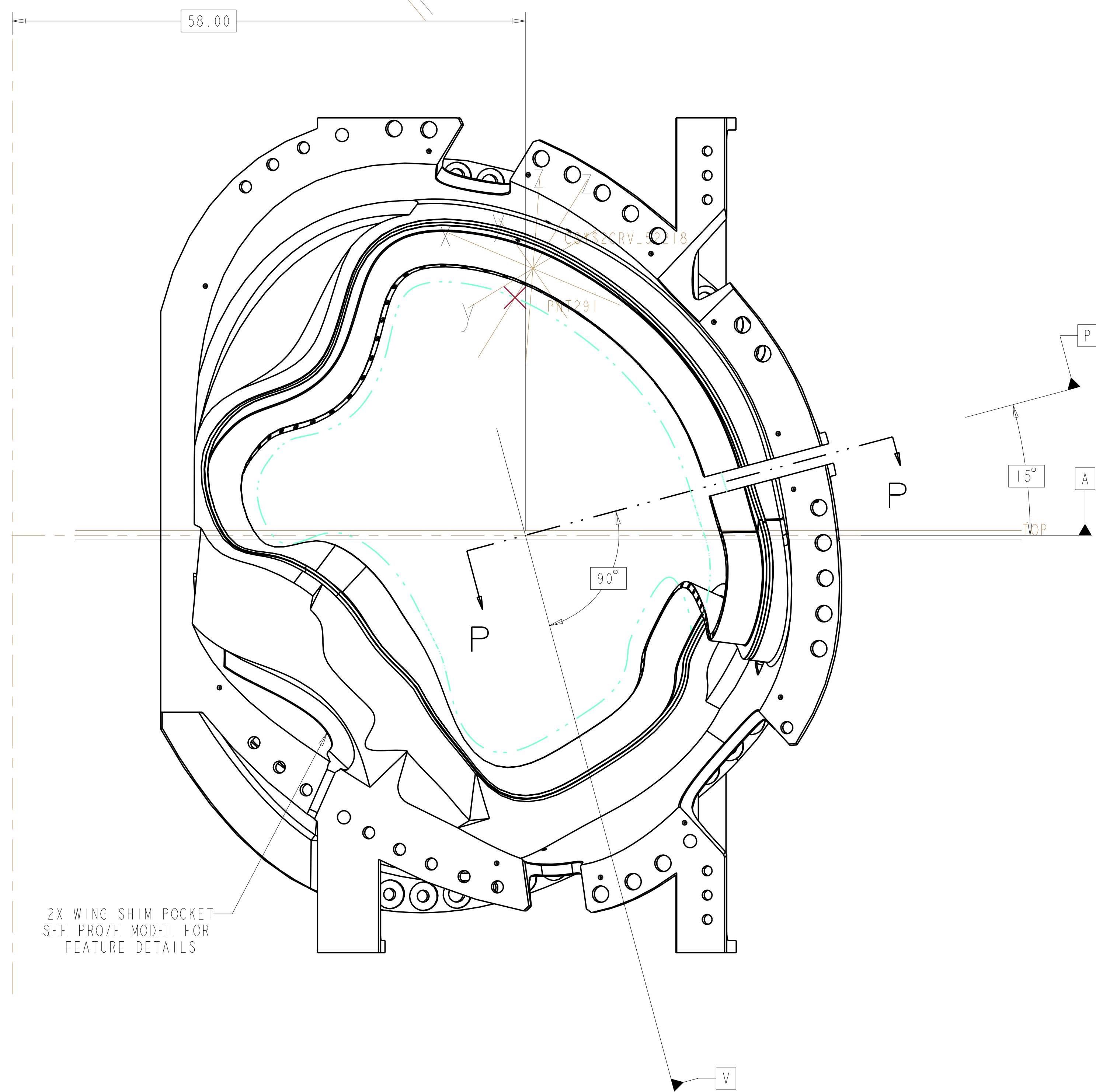
| | | | | | | |
|---|-----------|------|----|--------|------|-------|
| Oak Ridge National Laboratory managed for the DEPARTMENT OF ENERGY under U.S. GOVERNMENT contract DE-AC05-00OR22725 UT-BATTELLE, LLC, Oak Ridge, Tennessee PROJECT NAME | | | | | | |
| UT-BATTELLE NATIONAL COMPACT STELLARATOR EXPERIMENT | | | | | | |
| PRODUCTION WINDING FORM TYPE-C | | | | | | |
| VERSION NO. | PLANT | BLDG | FL | SHT OF | TYPE | CLASS |
| 6 | X-10 | 5700 | 3 | 5 | 11 | S |
| RELEASE LEVEL | SEI41-116 | | | | | REV |
| WIP | | | | | | 1 |

SEI41-116

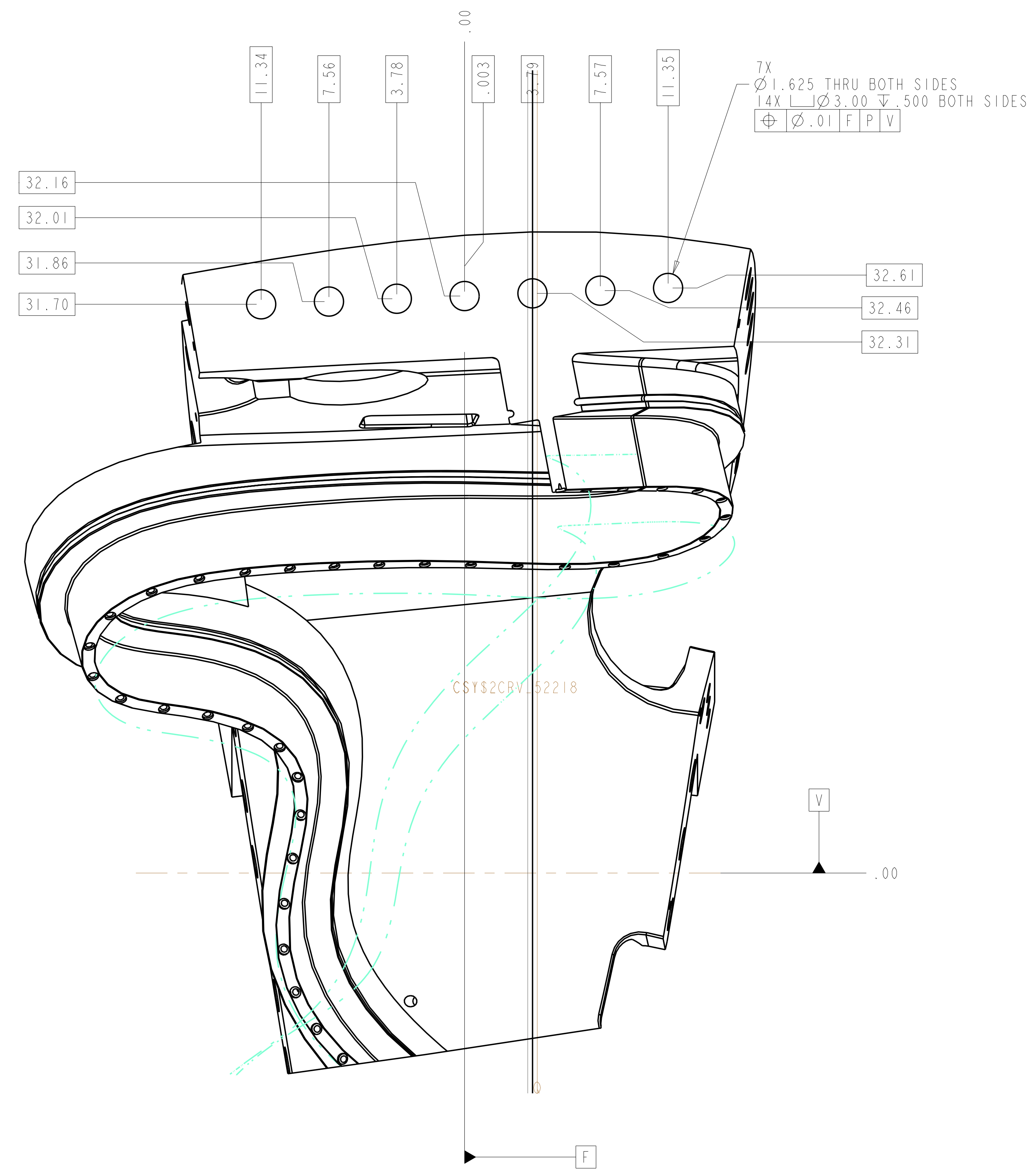
A



SECTION Q-Q



POLOIDAL BREAK DETAIL

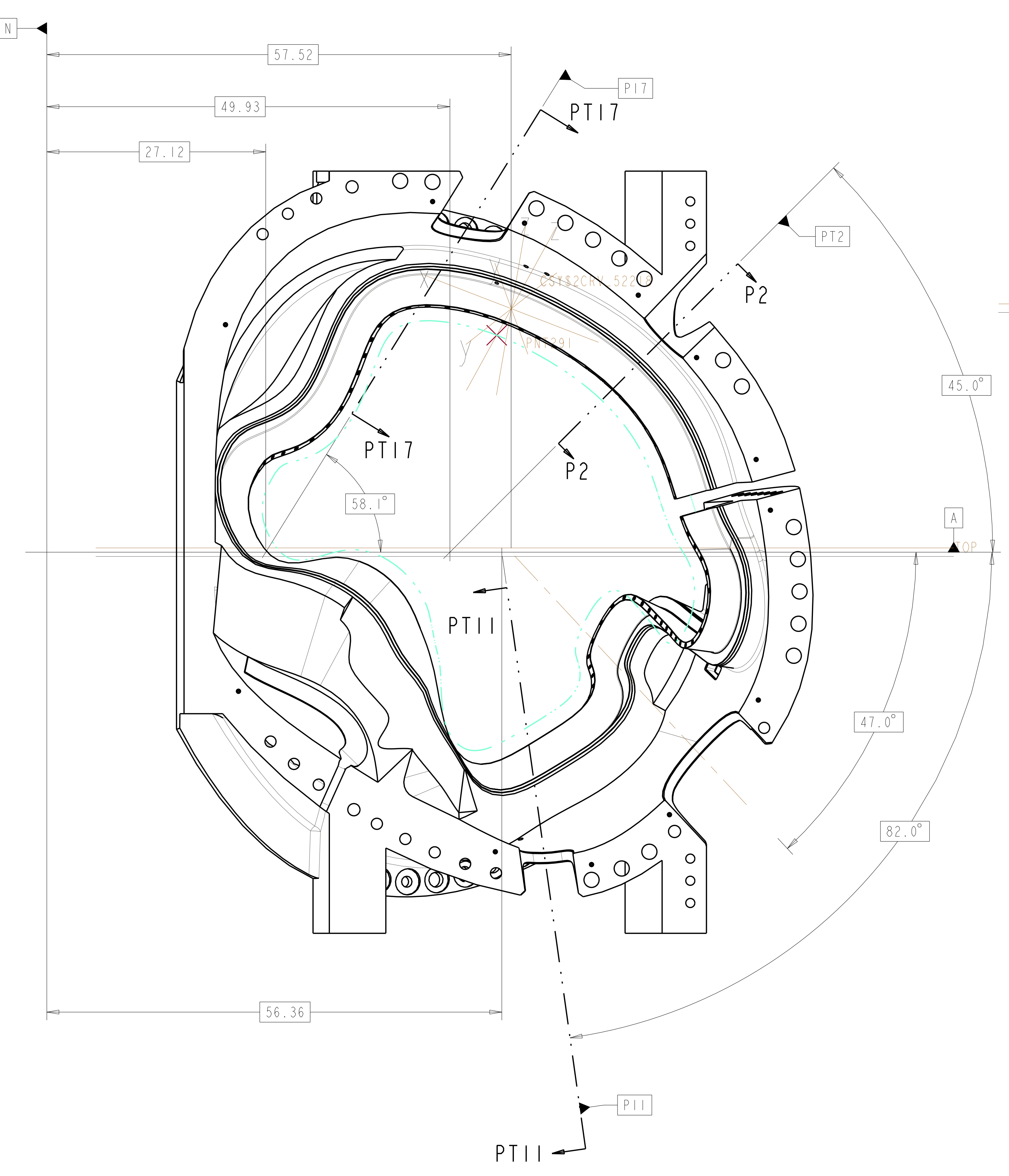


SECTION P-P
SCALE 0.25

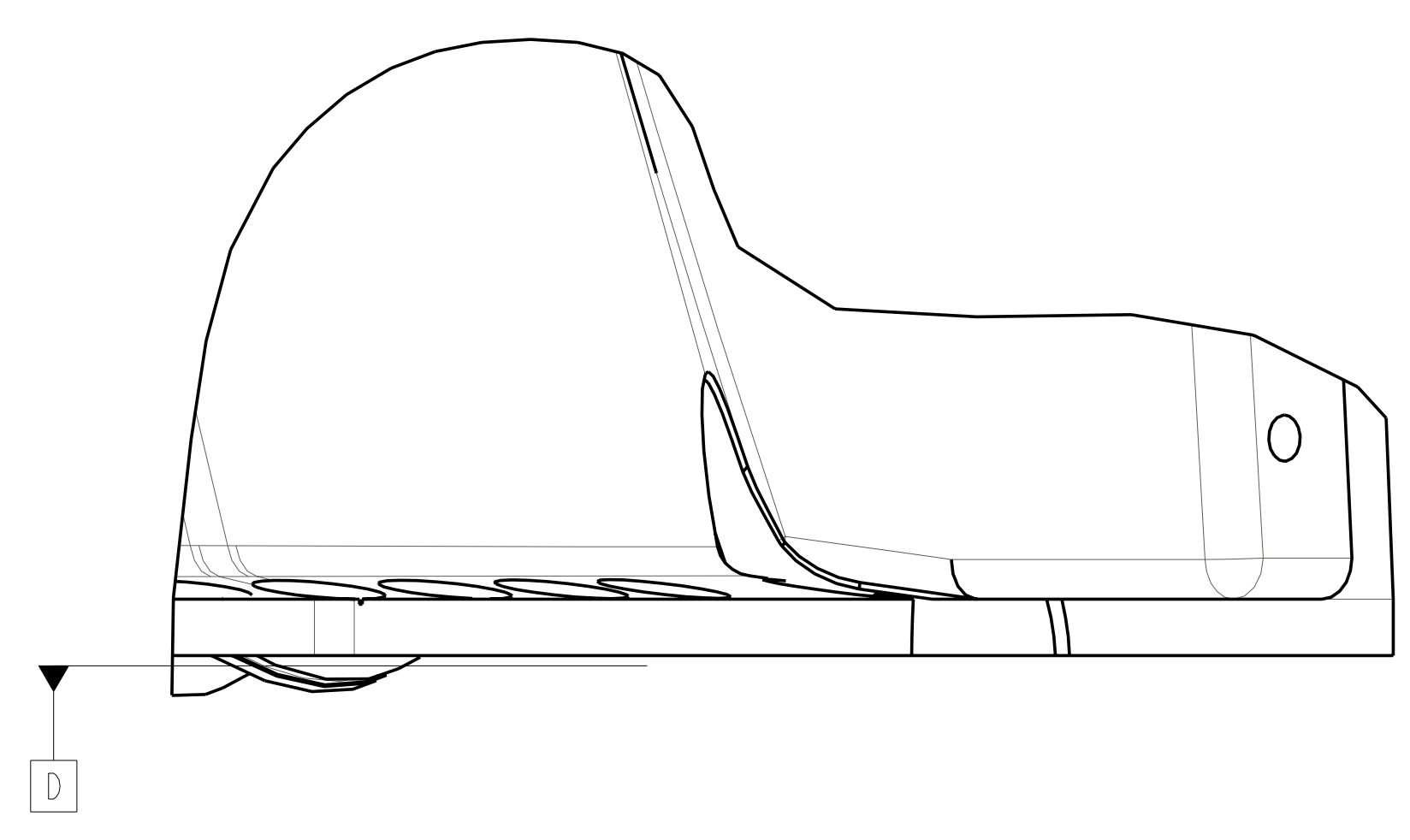
| | | | |
|---|---------------|---|------------------------------------|
| UT-BATTELLE | | Oak Ridge National Laboratory managed for the DEPARTMENT OF ENERGY under U.S. GOVERNMENT contract DE-AC05-00OR22725 UT-BATTELLE, LLC, Oak Ridge, Tennessee | |
| PROJECT NAME NATIONAL COMPACT STELLARATOR EXPERIMENT | | | |
| PRODUCTION WINDING FORM TYPE-C | | | |
| VERSION NO. 6 | PLANT X-10 | BLDG 5700 | FL SHT OF TYPE CLASS 3 6 11 S U |
| RELEASE LEVEL WIP | SEI41-116 | | |

SEI41-116

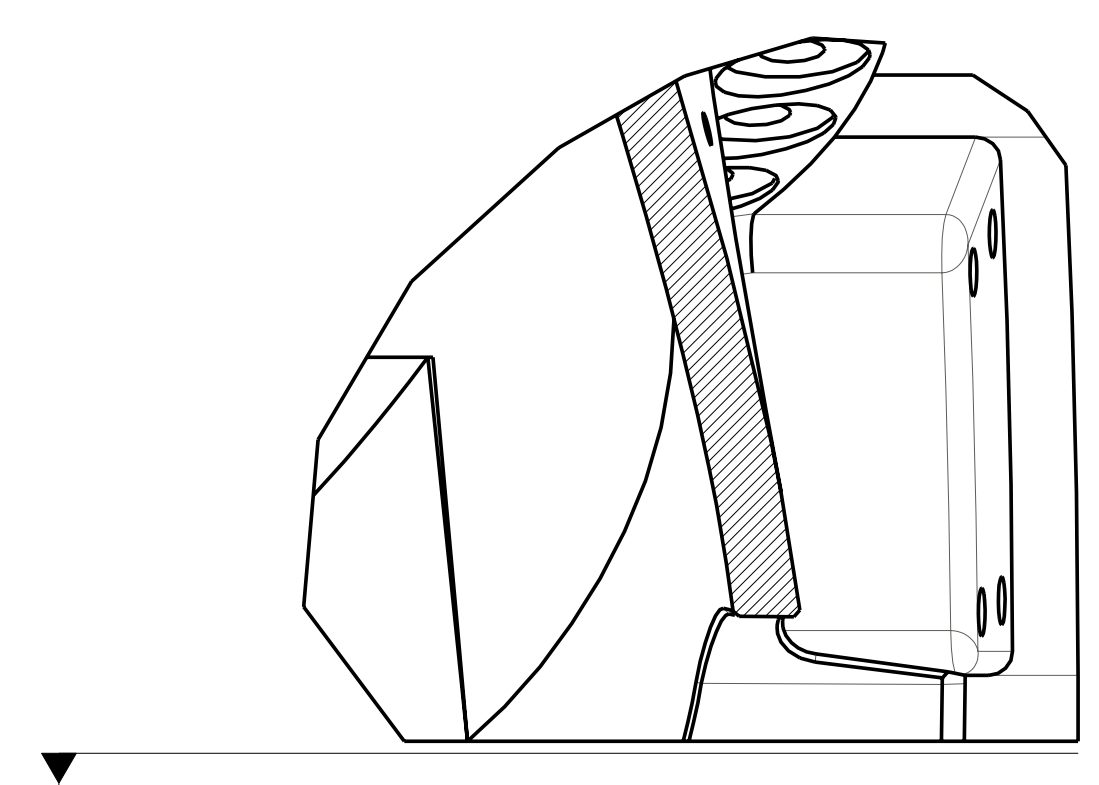
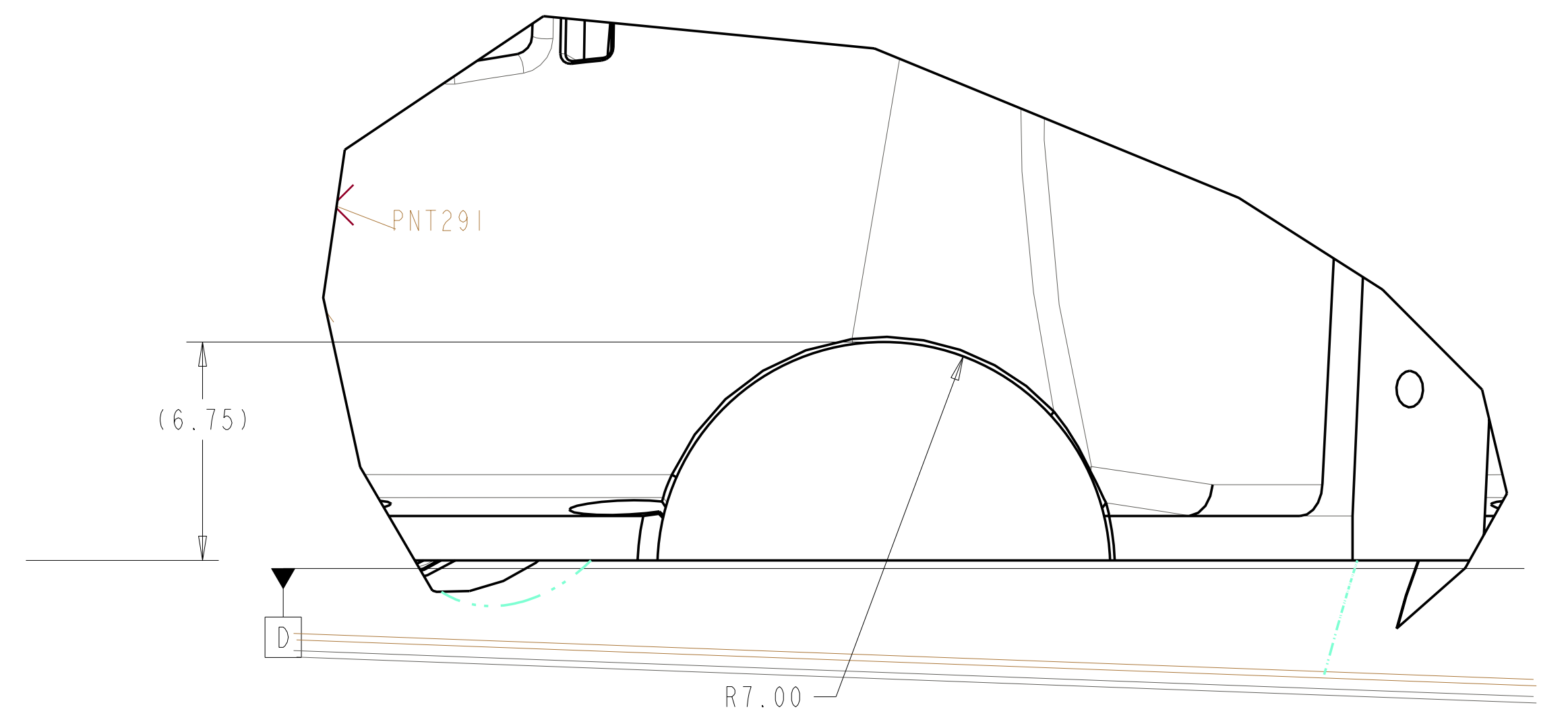
FOR NOTES AND PARTS LIST SEE SHEET 1



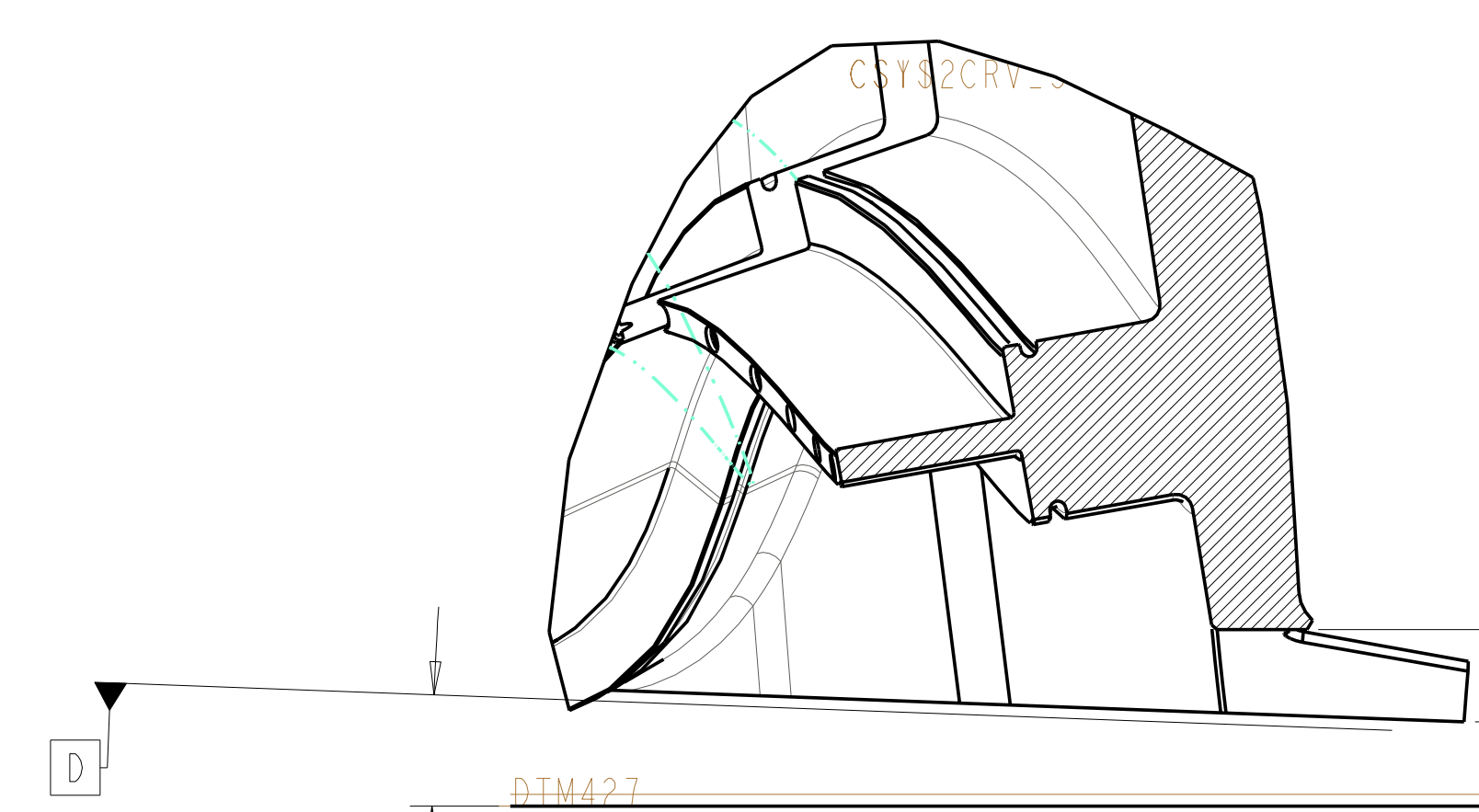
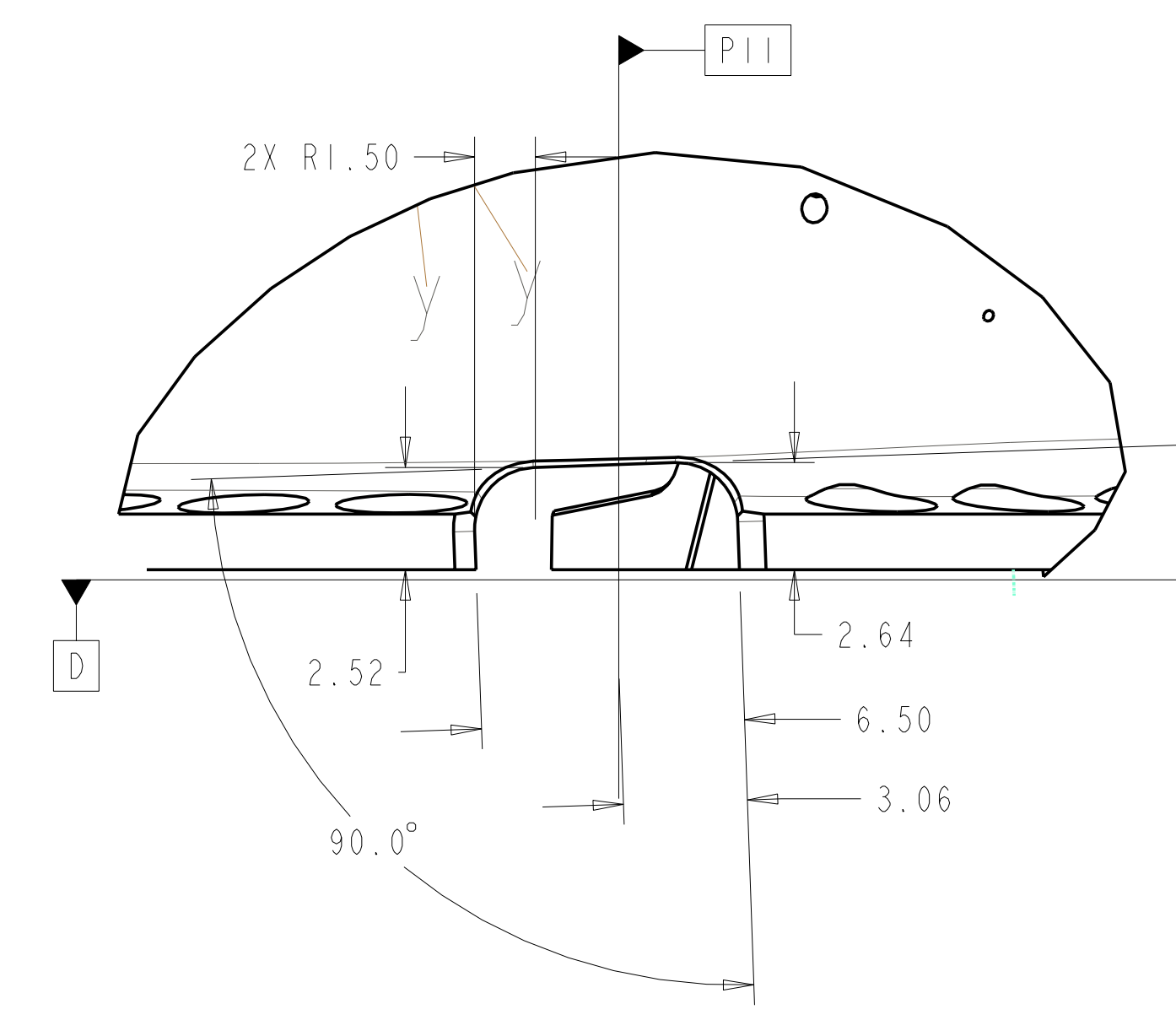
VIEW AT DATUM D
SCALE 0.13



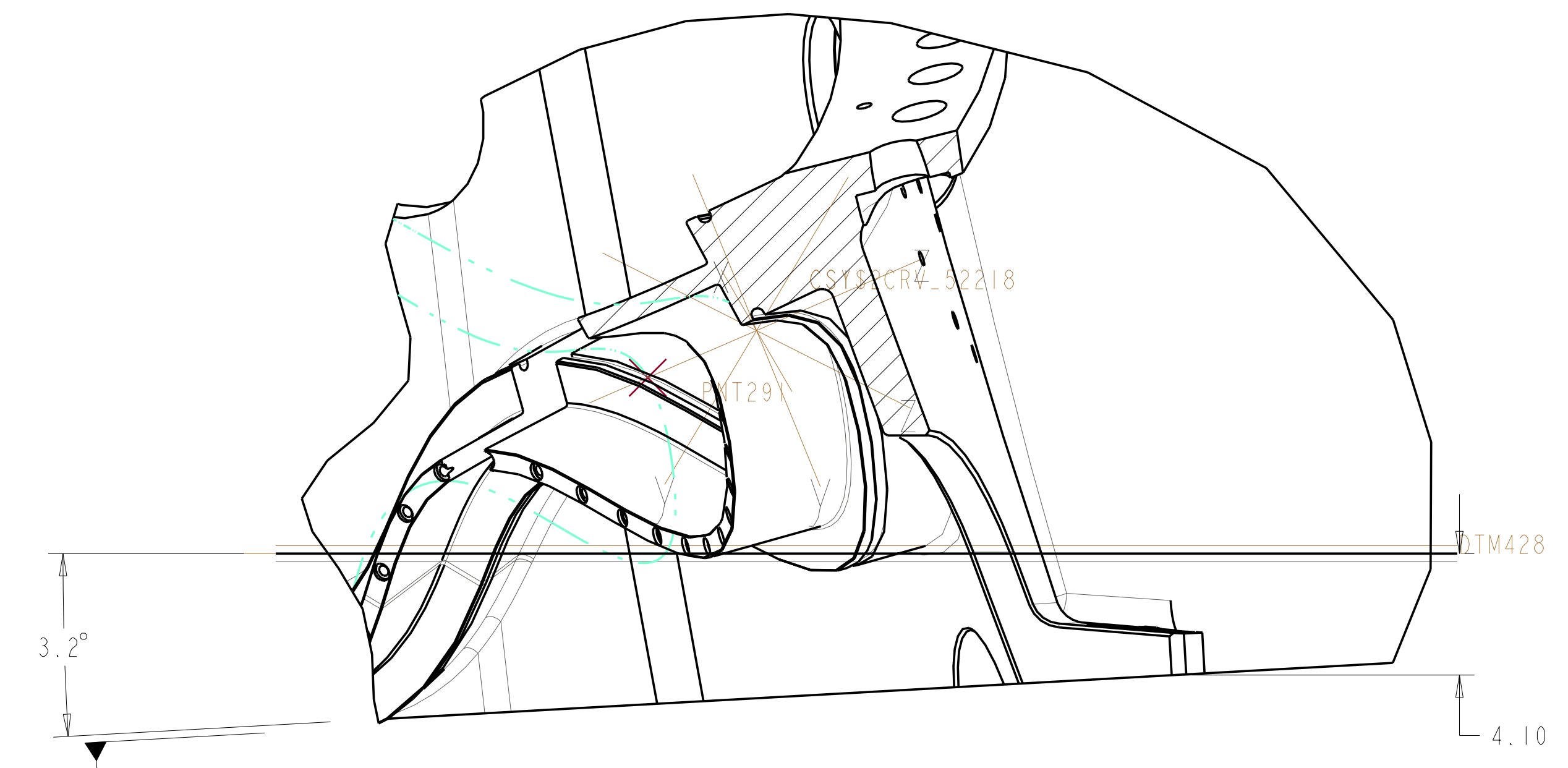
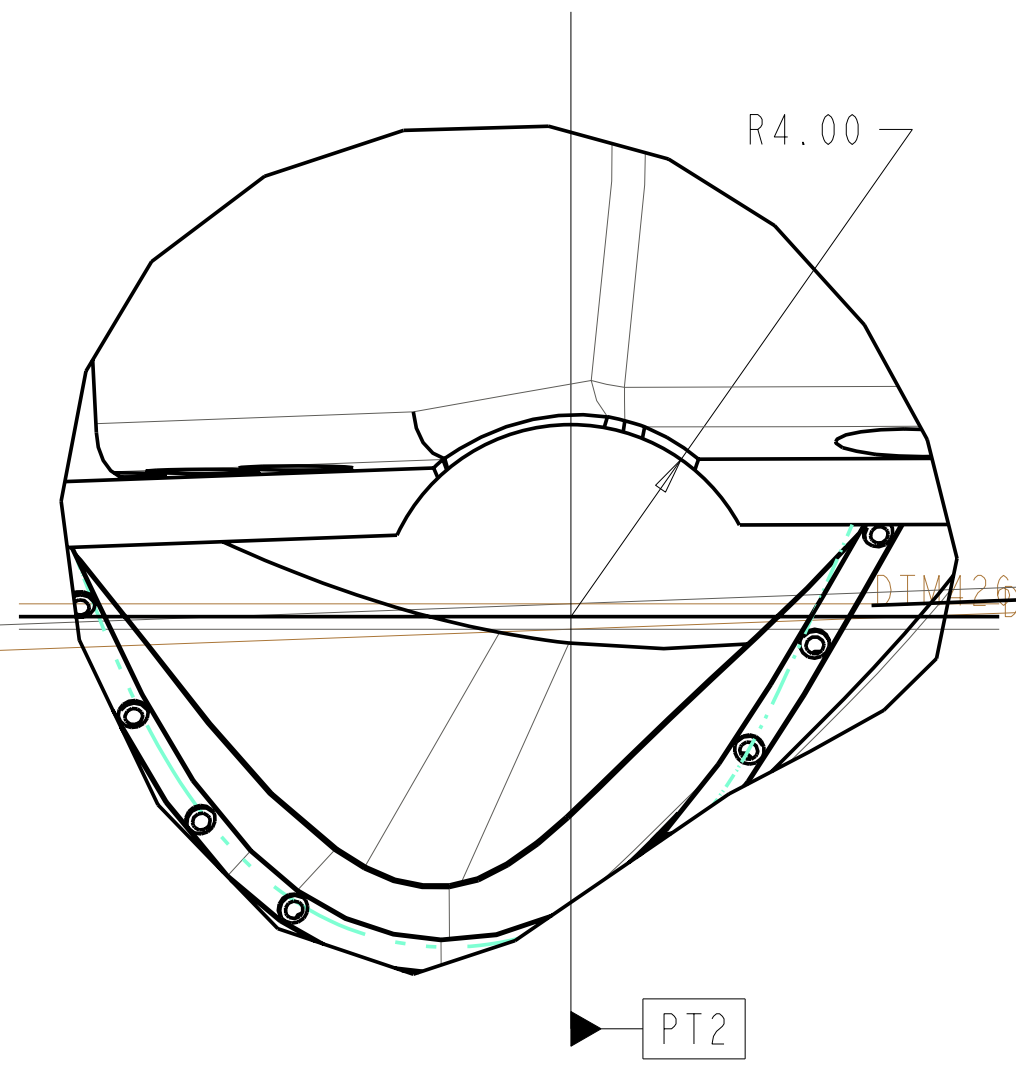
SCALE 0.250



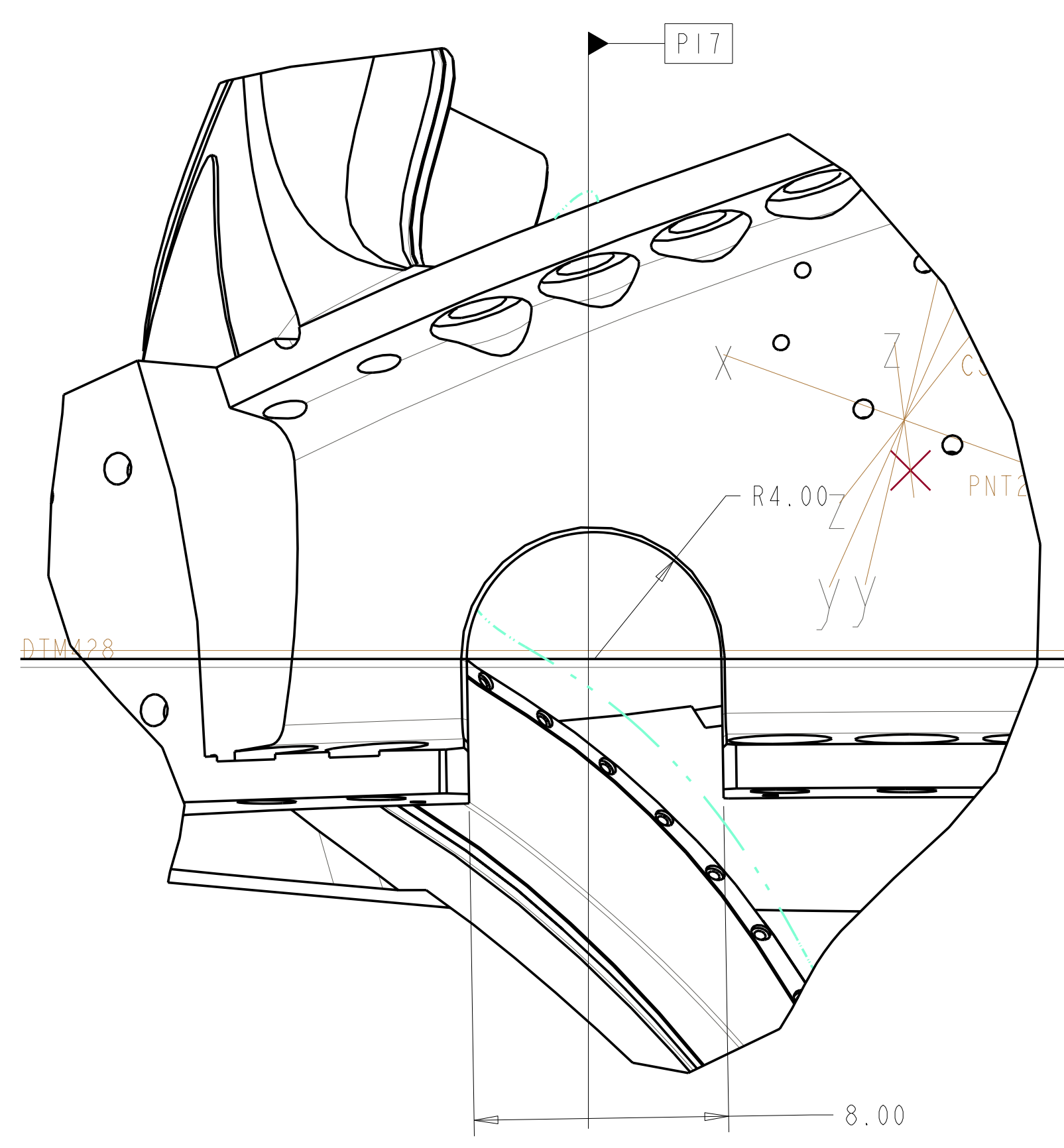
SECTION PT11-PT11
SCALE 0.25



SECTION P2-P2
SCALE 0.25



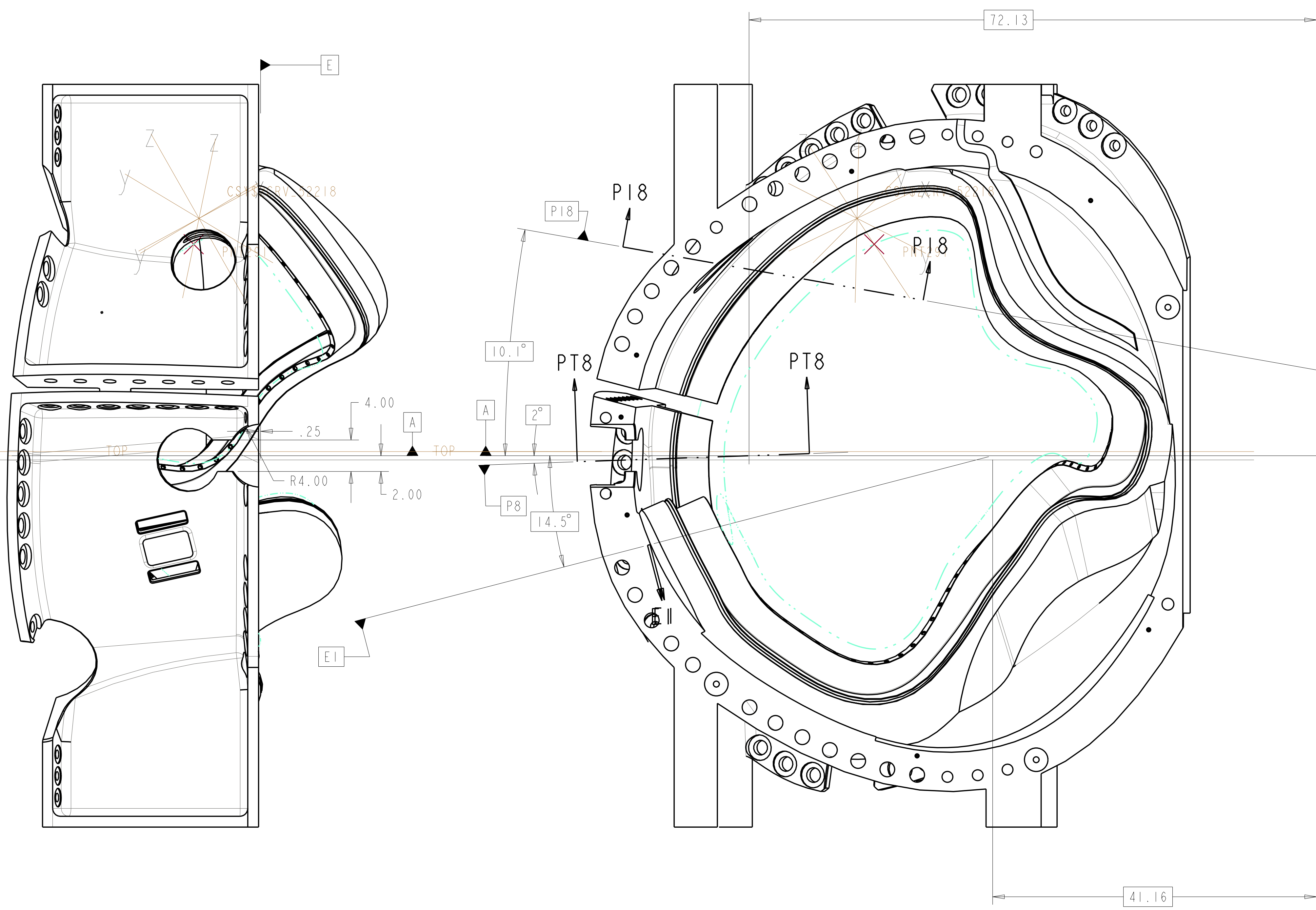
SECTION PT17-PT17
SCALE 0.25



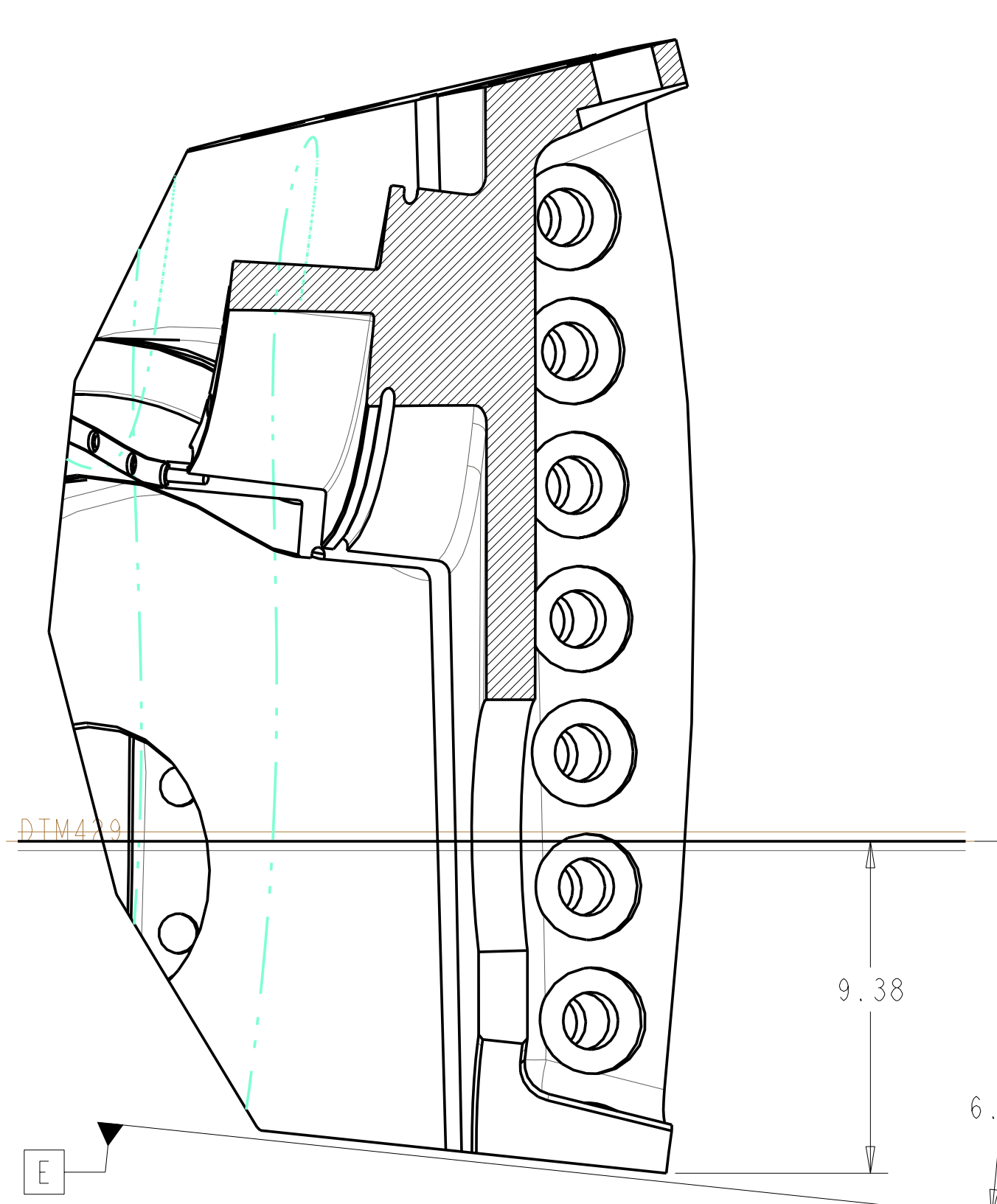
| | | | | | | | |
|---|-----------|------|----|--------|------|-------|---|
| Oak Ridge National Laboratory managed for the DEPARTMENT OF ENERGY under U.S. GOVERNMENT contract DE-AC05-00OR22725 UT-BATTELLE, LLC, Oak Ridge, Tennessee | | | | | | | |
| UT-BATTELLE | | | | | | | |
| NATIONAL COMPACT STELLARATOR EXPERIMENT | | | | | | | |
| PRODUCTION WINDING FORM TYPE-C | | | | | | | |
| VERSION NO. | PLANT | BLDG | FL | SHT OF | TYPE | CLASS | |
| 6 | X-10 | 5700 | 3 | 7 | 11 | S | U |
| RELEASE LEVEL | SEI41-116 | | | | | | |
| WIP | | | | | | | |

SEI41-116

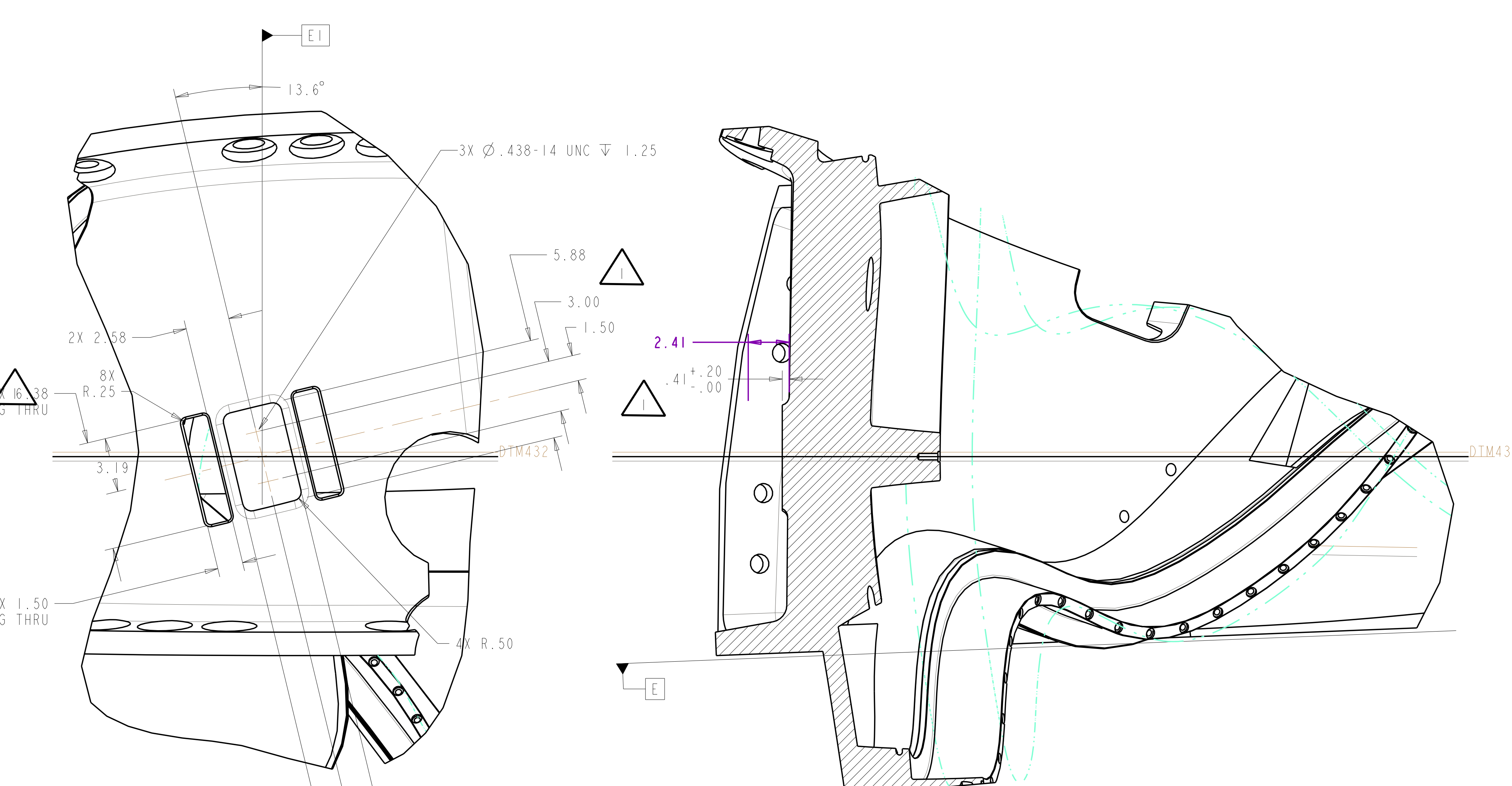
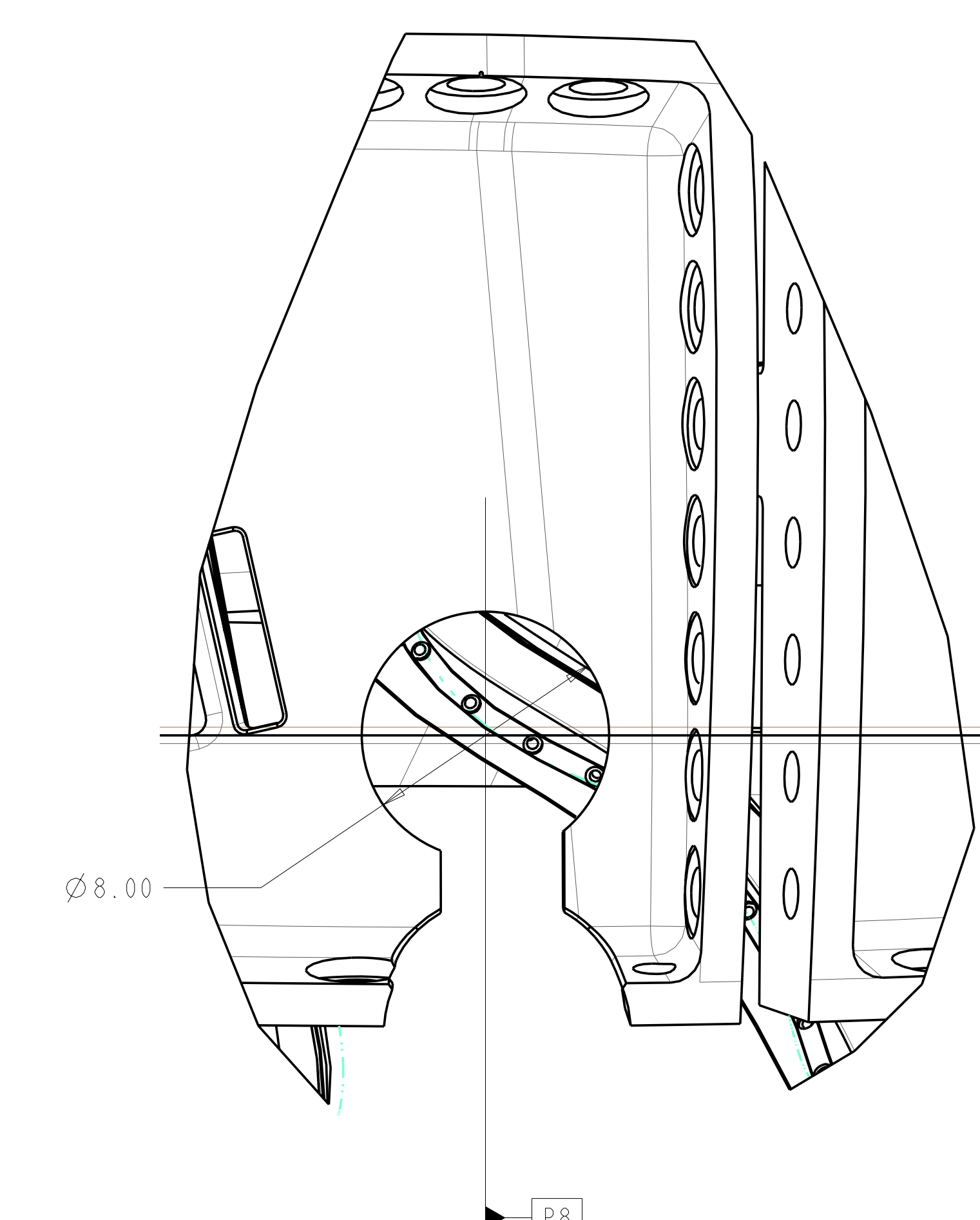
FOR NOTES AND PARTS LIST SEE SHEET 1



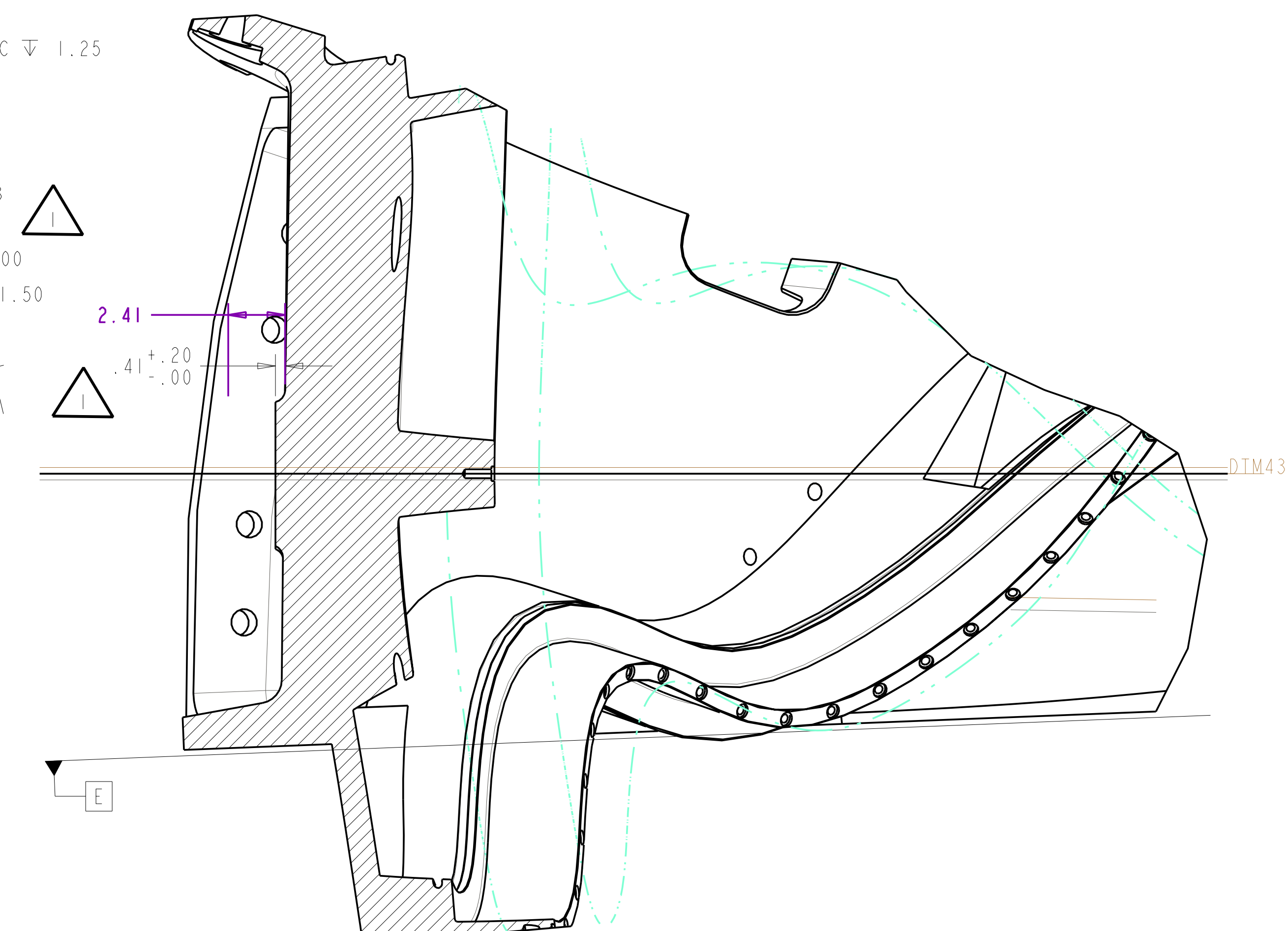
VIEW AT DATUM E
SCALE 0.13



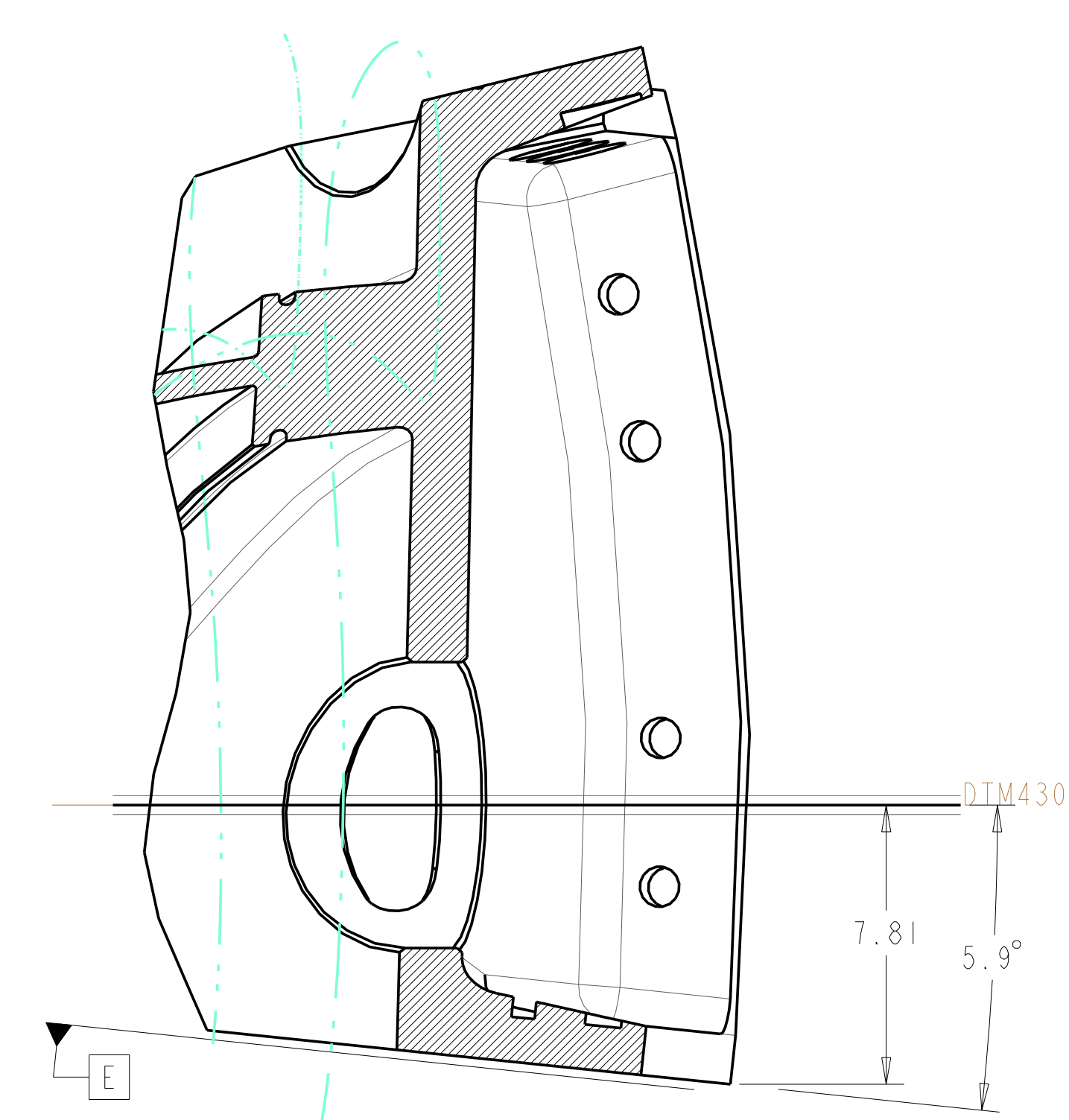
SECTION PT8-PT8
SCALE 0.25



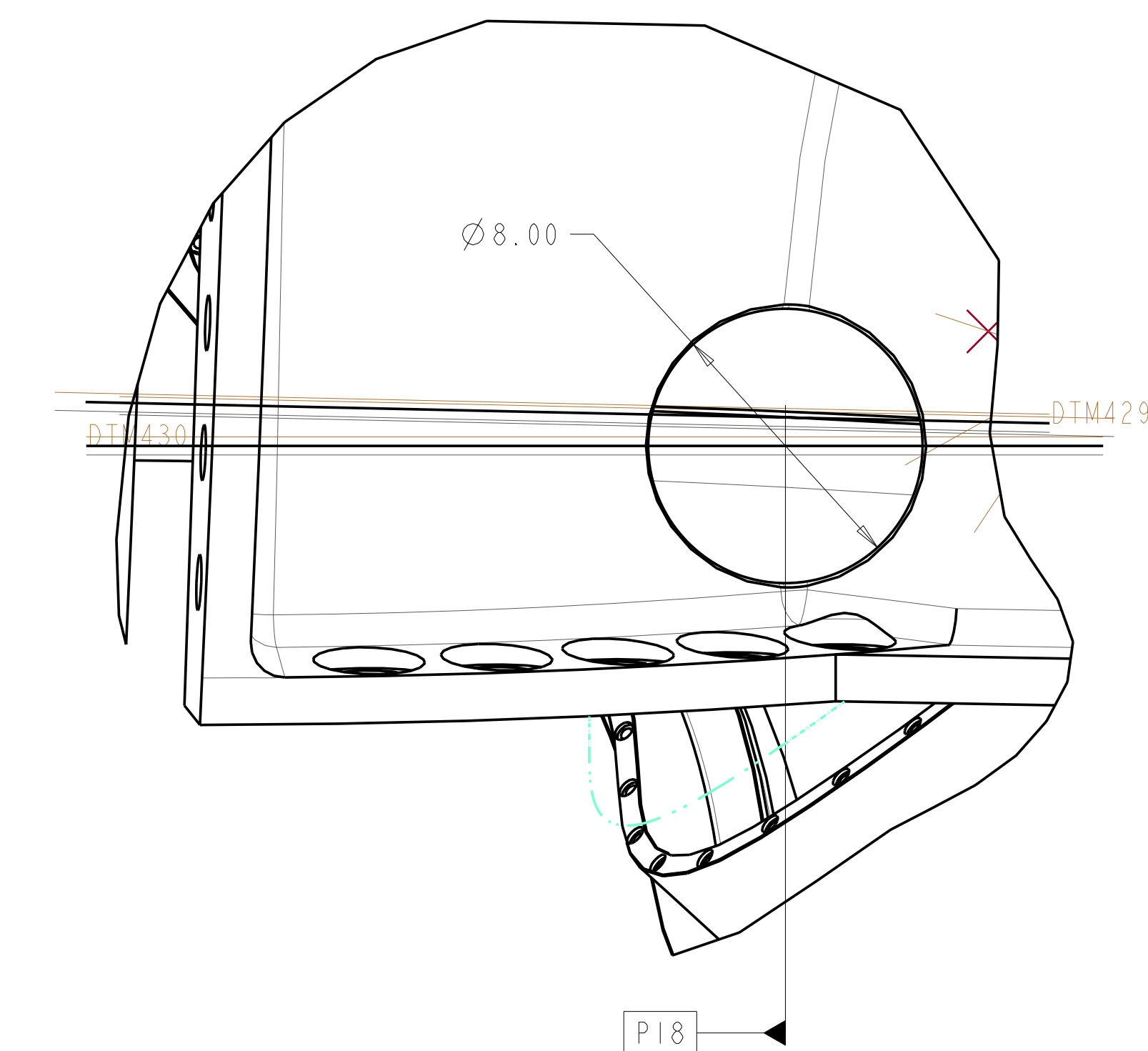
LEAD BLOCK DETAIL



SECTION EI-EI
SCALE 0.25



SECTION P18-P18
SCALE 0.25



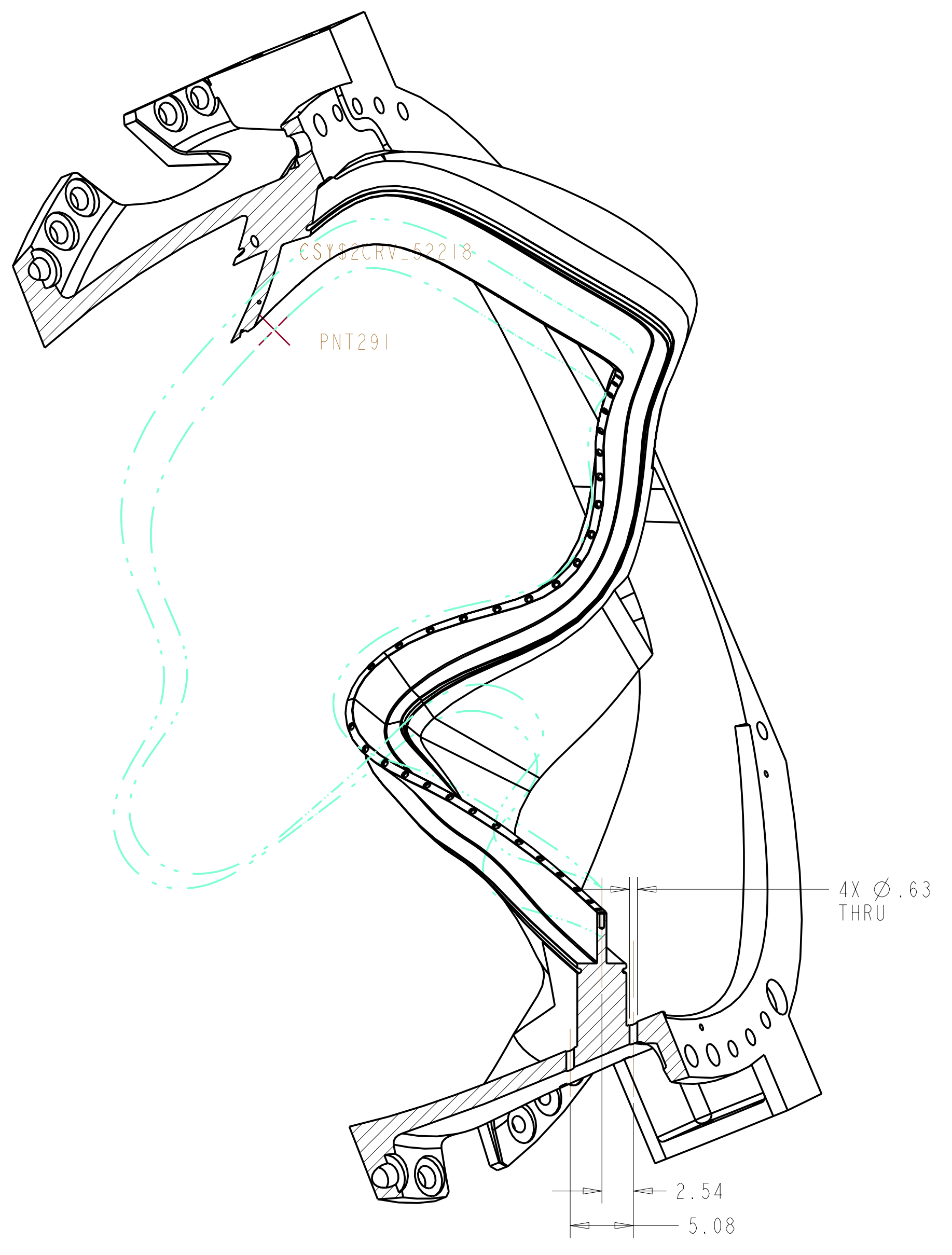
P18

| | | | | | | | |
|---|-----------|------|----|--------|------|-------|---|
| Oak Ridge National Laboratory managed for the DEPARTMENT OF ENERGY under U.S. GOVERNMENT contract DE-AC05-00OR22725 UT-BATTELLE, LLC, Oak Ridge, Tennessee PROJECT NAME | | | | | | | |
| UT-BATTELLE NATIONAL COMPACT STELLARATOR EXPERIMENT | | | | | | | |
| PRODUCTION WINDING FORM TYPE-C | | | | | | | |
| VERSION NO. | PLANT | BLDG | FL | SHT OF | TYPE | CLASS | |
| 6 | X-10 | 5700 | 3 | 8 | 11 | S | U |
| RELEASE LEVEL | SEI41-116 | | | | | | |
| WIP | | | | | | | |

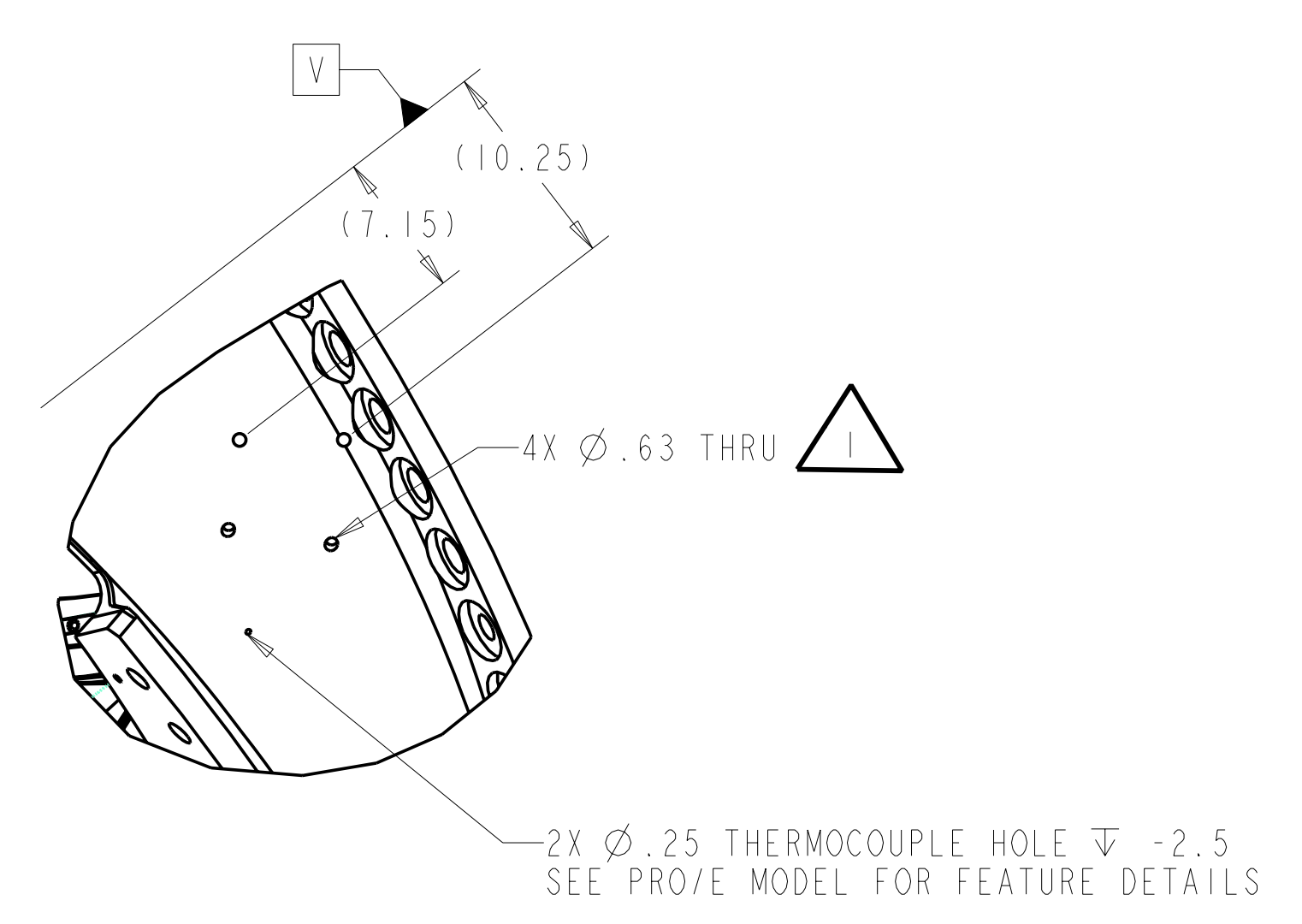
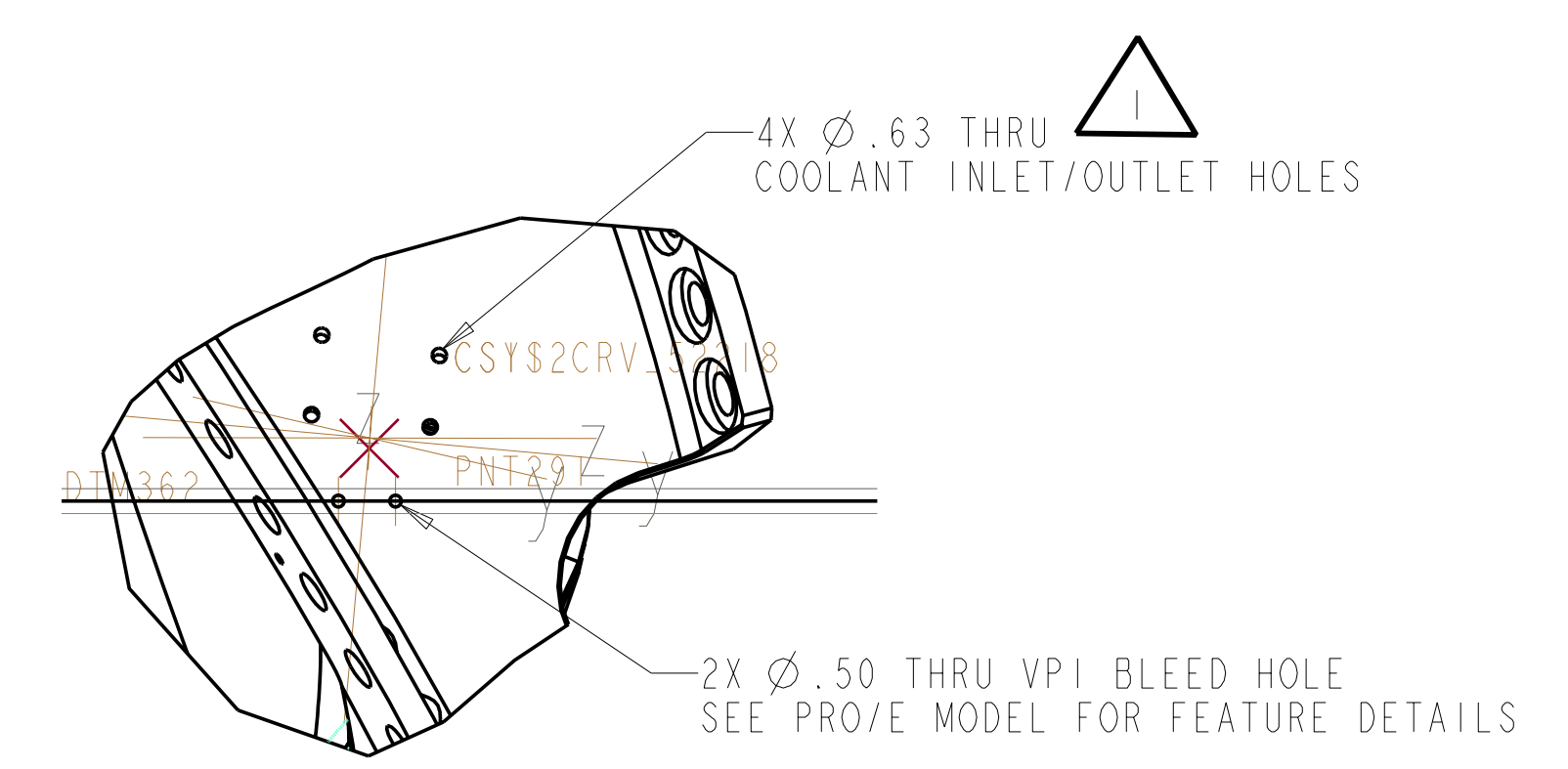
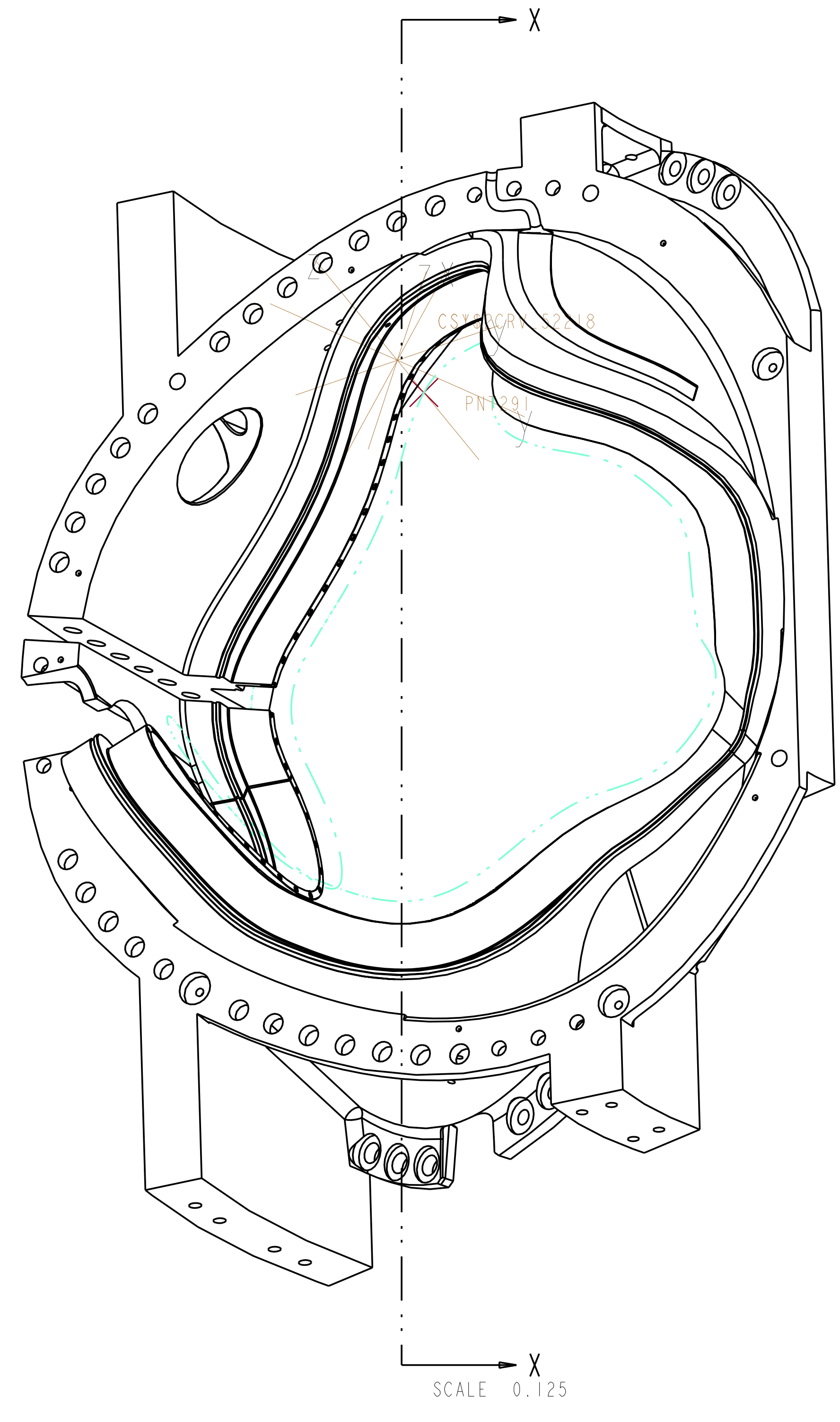
H
G
F
E
D
C
B
A

SEI41-116

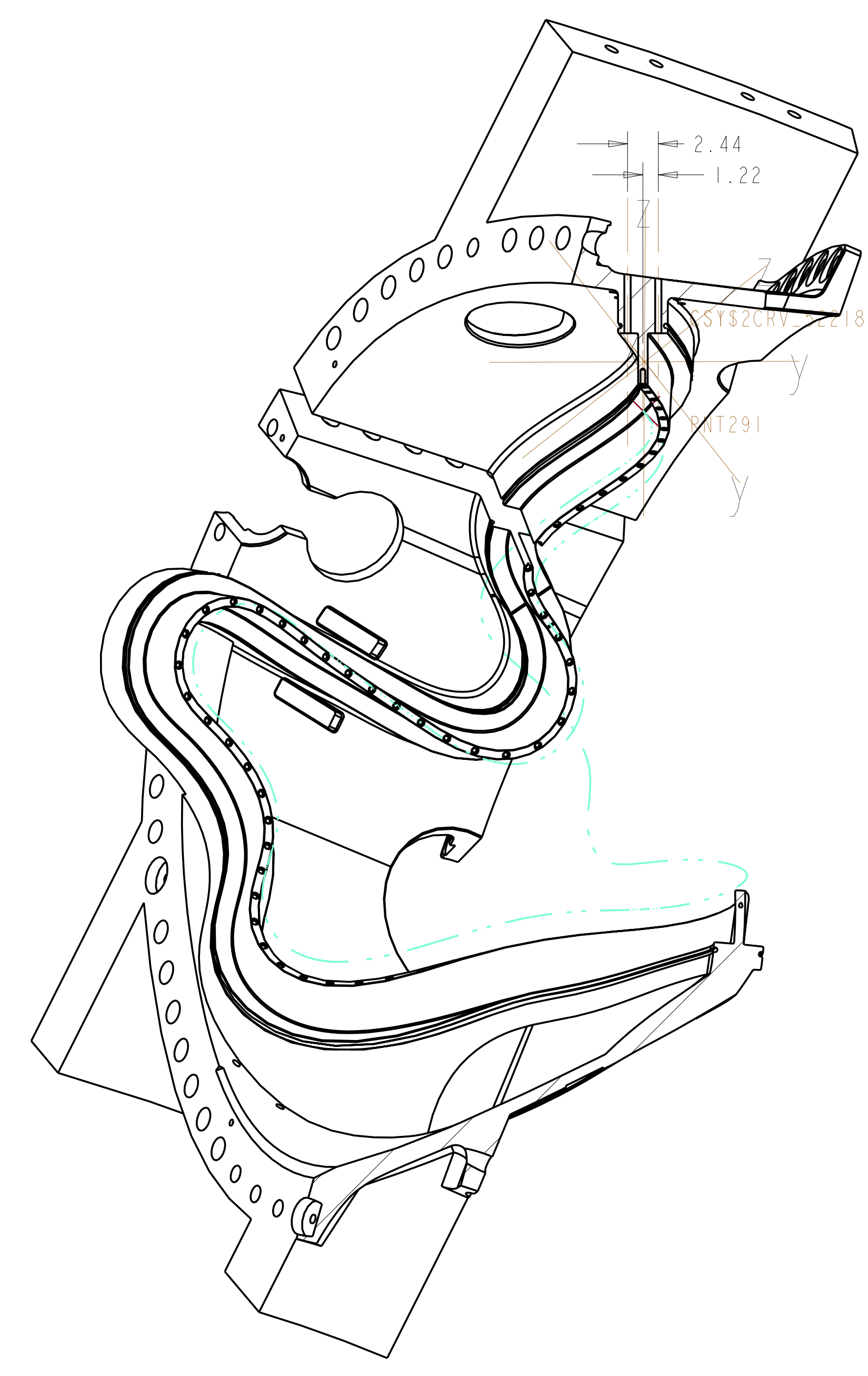
FOR NOTES AND PARTS LIST SEE SHEET 1



SECTION X-X
 USE PRO/E MODEL GEOMETRY TO DETERMINE SECTION ORIENTATION

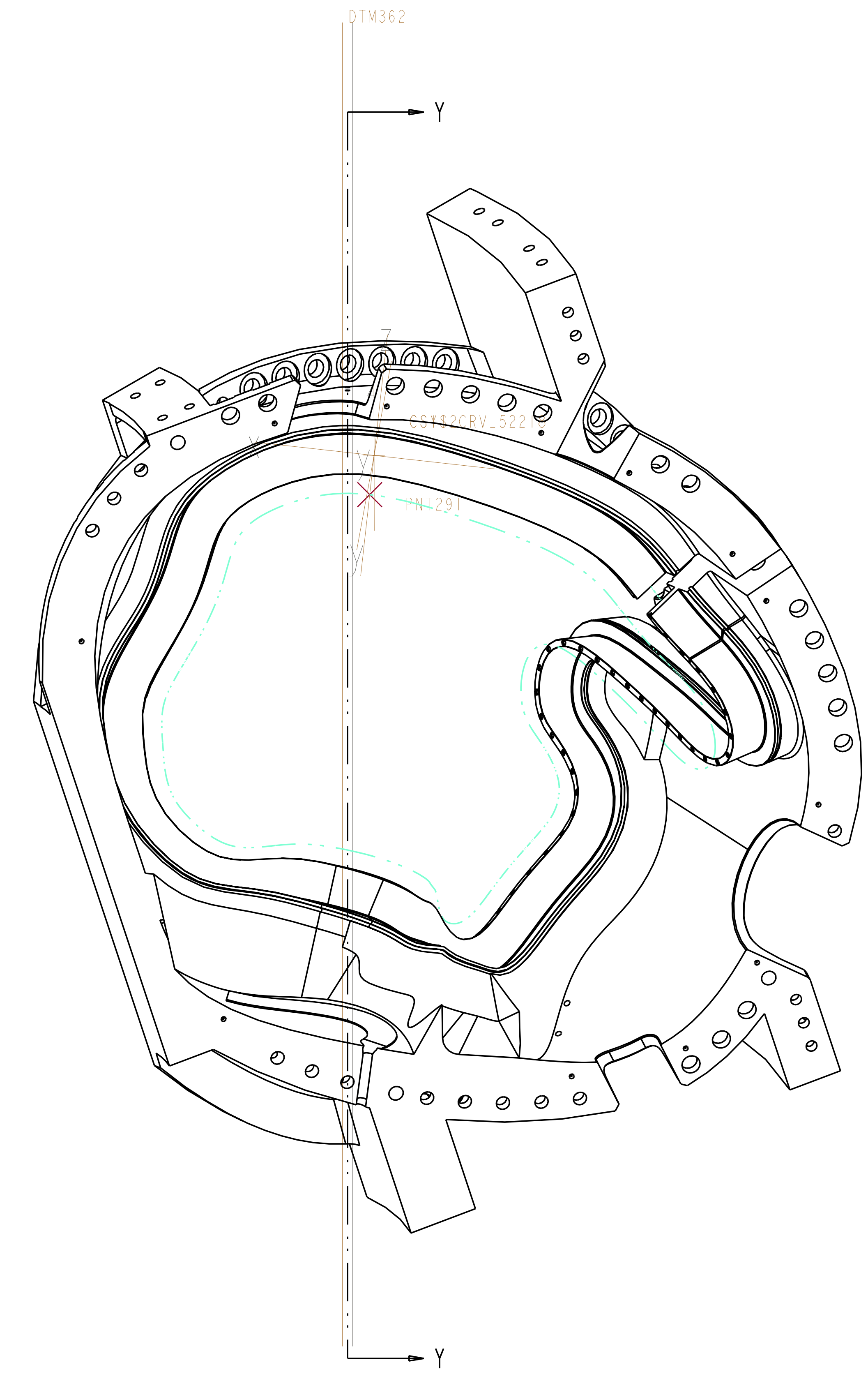


COOLING INLET / OUTLET HOLES
 TYPICAL 2 PLACES



SECTION Y-Y
 SCALE 0.125

USE PRO/E MODEL GEOMETRY TO DETERMINE SECTION ORIENTATION

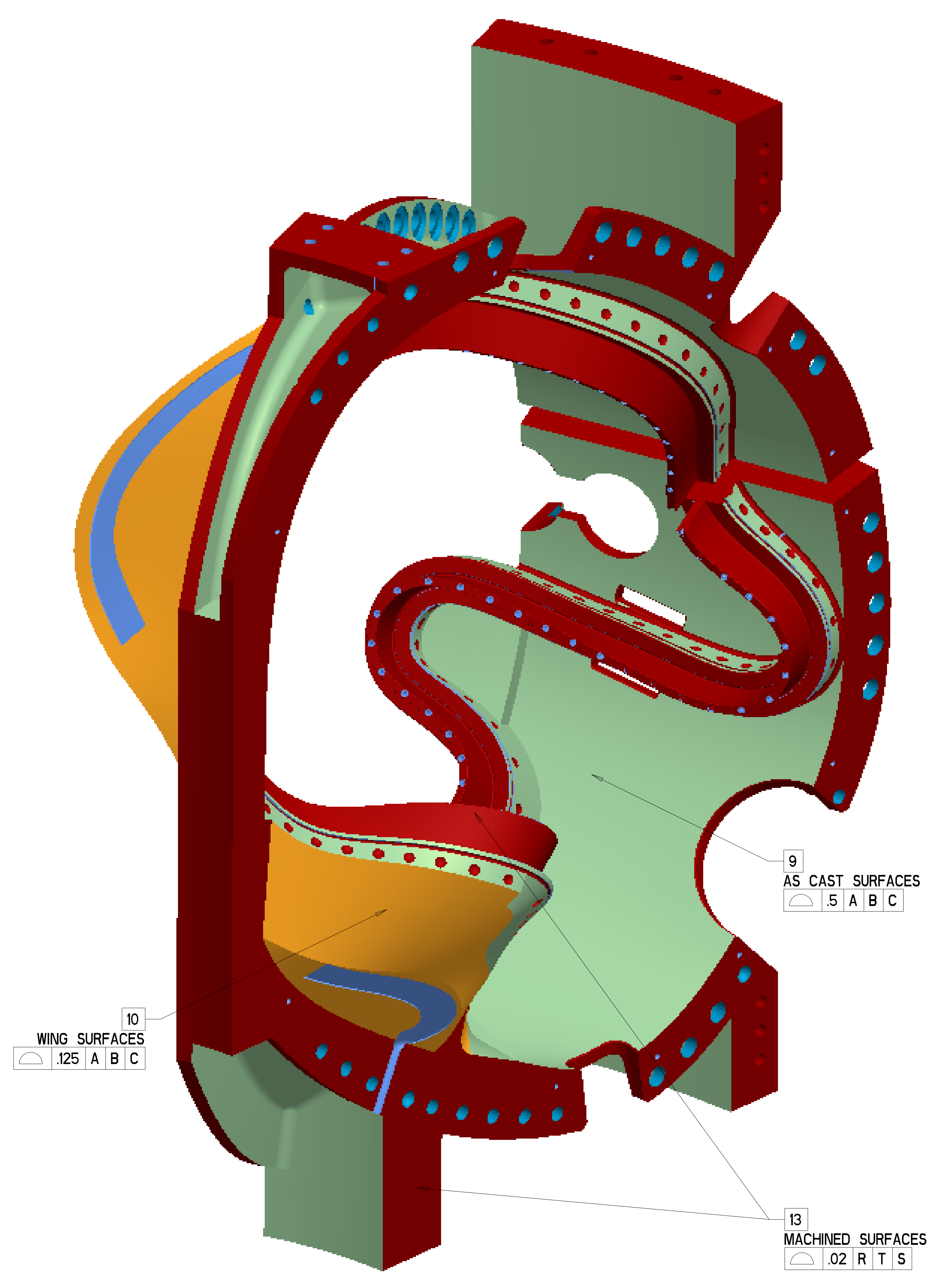


| | | | |
|--|---------------|---|------------------------------------|
| UT-BATTELLE | | Oak Ridge National Laboratory managed for the DEPARTMENT OF ENERGY under U.S. GOVERNMENT contract DE-AC05-00OR22725 UT-BATTELLE, LLC. Oak Ridge, Tennessee | |
| PROJECT NAME NATIONAL COMPACT STELLARATOR EXPERIMENT | | | |
| PRODUCTION WINDING FORM TYPE-C | | | |
| VERSION NO. 6 | PLANT X-10 | BLDG 5700 | FL SHT OF TYPE CLASS 3 9 11 S U |
| RELEASE LEVEL WIP | SEI41-116 | | REV 1 |

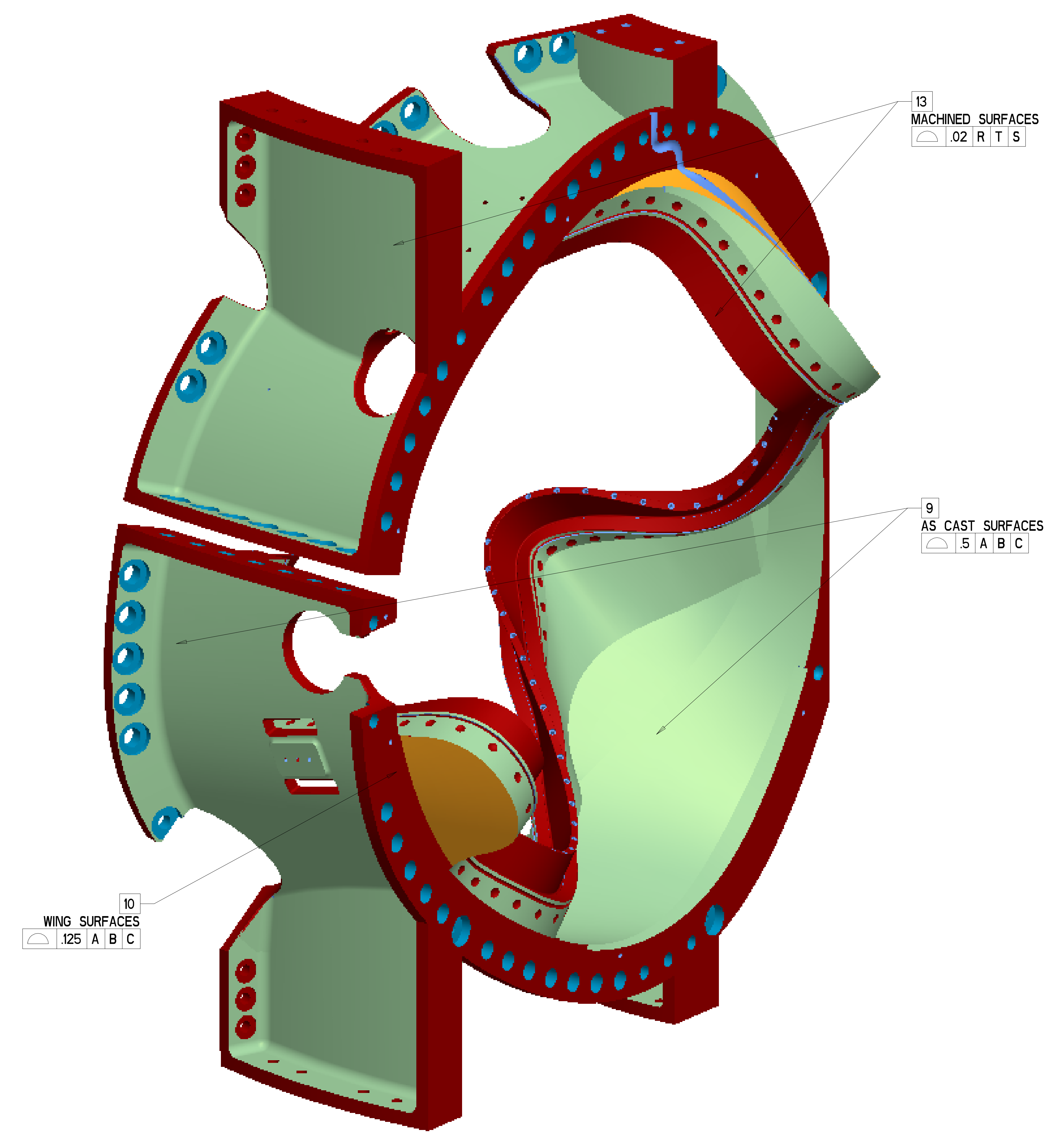
H
G
F
E
D
C
B
A

SEI41-116

FOR NOTES AND PARTS LIST SEE SHEET 1



ISOMETRIC VIEW
 NOT TO SCALE



ISOMETRIC VIEW
 NOT TO SCALE

| | | | |
|--|---------------|---|-------------------------------------|
| UT-BATTELLE | | Oak Ridge National Laboratory managed for the DEPARTMENT OF ENERGY under U.S. GOVERNMENT contract DE-AC05-00OR22725 UT-BATTELLE, LLC, Oak Ridge, Tennessee | |
| PROJECT NAME NATIONAL COMPACT STELLARATOR EXPERIMENT | | | |
| PRODUCTION WINDING FORM TYPE-C | | | |
| VERSION NO. 6 | PLANT X-10 | BLDG 5700 | FL SHT OF TYPE CLASS 3 10 11 S U |
| RELEASE LEVEL WIP | SEI41-116 | | REV 1 |

H
G
F
E
D
C
B
A

TABLE I WINDING CENTER SPLINE
(FILE SEI4I-II6-WC.TXT)

| # | X | Y | Z |
|-----|--------|--------|---------|
| 1 | 60.145 | 56.794 | 0.000 |
| 2 | 58.276 | 57.786 | 1.503 |
| 3 | 56.596 | 58.526 | 3.327 |
| 4 | 55.416 | 58.692 | 5.615 |
| 5 | 54.871 | 58.162 | 8.086 |
| 6 | 54.722 | 57.153 | 10.470 |
| 7 | 54.637 | 55.902 | 12.743 |
| 8 | 54.360 | 54.558 | 14.945 |
| 9 | 53.748 | 53.221 | 17.002 |
| 10 | 52.767 | 51.957 | 19.133 |
| 11 | 51.421 | 50.828 | 21.031 |
| 12 | 49.744 | 49.886 | 22.771 |
| 13 | 47.797 | 49.153 | 24.321 |
| 14 | 45.661 | 48.609 | 25.690 |
| 15 | 43.406 | 48.198 | 26.909 |
| 16 | 41.088 | 47.830 | 28.018 |
| 17 | 38.744 | 47.399 | 29.046 |
| 18 | 36.404 | 46.795 | 29.991 |
| 19 | 34.109 | 45.921 | 30.830 |
| 20 | 31.918 | 44.720 | 31.524 |
| 21 | 29.878 | 43.203 | 32.041 |
| 22 | 27.960 | 41.481 | 32.335 |
| 23 | 26.012 | 39.770 | 32.290 |
| 24 | 23.895 | 38.421 | 31.681 |
| 25 | 21.752 | 37.807 | 30.385 |
| 26 | 19.849 | 37.887 | 28.631 |
| 27 | 18.194 | 38.324 | 26.681 |
| 28 | 16.673 | 38.852 | 24.645 |
| 29 | 15.192 | 39.316 | 22.564 |
| 30 | 13.689 | 39.615 | 20.469 |
| 31 | 12.134 | 39.566 | 18.396 |
| 32 | 10.613 | 38.827 | 16.444 |
| 33 | 9.437 | 37.164 | 14.867 |
| 34 | 8.851 | 34.871 | 13.829 |
| 35 | 8.791 | 32.366 | 13.165 |
| 36 | 9.101 | 29.862 | 12.562 |
| 37 | 9.681 | 27.475 | 11.732 |
| 38 | 10.467 | 25.270 | 10.612 |
| 39 | 11.320 | 23.189 | 9.316 |
| 40 | 12.144 | 21.365 | 7.674 |
| 41 | 13.054 | 20.132 | 5.590 |
| 42 | 14.179 | 19.494 | 3.345 |
| 43 | 15.620 | 19.190 | 1.211 |
| 44 | 17.452 | 18.936 | -0.604 |
| 45 | 19.685 | 18.670 | -1.883 |
| 46 | 22.201 | 18.487 | -2.462 |
| 47 | 24.788 | 18.307 | -2.511 |
| 48 | 27.365 | 18.030 | -2.361 |
| 49 | 29.931 | 17.652 | -2.270 |
| 50 | 32.494 | 17.273 | -2.415 |
| 51 | 35.028 | 17.114 | -2.930 |
| 52 | 37.378 | 17.455 | -3.943 |
| 53 | 38.999 | 18.562 | -5.590 |
| 54 | 39.391 | 20.227 | -7.511 |
| 55 | 38.948 | 22.059 | -9.290 |
| 56 | 38.254 | 23.967 | -10.907 |
| 57 | 37.524 | 25.943 | -12.425 |
| 58 | 36.701 | 27.920 | -13.892 |
| 59 | 35.763 | 29.820 | -15.391 |
| 60 | 34.793 | 31.625 | -16.985 |
| 61 | 33.903 | 33.362 | -18.696 |
| 62 | 33.146 | 35.089 | -20.480 |
| 63 | 32.490 | 36.854 | -22.267 |
| 64 | 31.865 | 38.690 | -23.993 |
| 65 | 31.269 | 40.647 | -25.590 |
| 66 | 30.783 | 42.808 | -26.939 |
| 67 | 30.499 | 45.207 | -27.875 |
| 68 | 30.477 | 47.768 | -28.246 |
| 69 | 30.808 | 50.319 | -27.976 |
| 70 | 31.626 | 52.619 | -27.122 |
| 71 | 32.955 | 54.471 | -25.896 |
| 72 | 34.623 | 55.924 | -24.542 |
| 73 | 36.363 | 57.257 | -23.152 |
| 74 | 37.796 | 58.796 | -21.641 |
| 75 | 38.357 | 60.653 | -19.947 |
| 76 | 37.834 | 62.568 | -18.298 |
| 77 | 36.556 | 64.343 | -16.912 |
| 78 | 34.902 | 65.986 | -15.774 |
| 79 | 33.118 | 67.574 | -14.756 |
| 80 | 31.730 | 69.226 | -13.352 |
| 81 | 31.467 | 70.665 | -11.246 |
| 82 | 32.350 | 71.447 | -8.964 |
| 83 | 34.161 | 71.434 | -7.148 |
| 84 | 36.508 | 70.729 | -6.383 |
| 85 | 38.865 | 69.675 | -6.573 |
| 86 | 41.103 | 68.510 | -7.182 |
| 87 | 43.261 | 67.281 | -7.937 |
| 88 | 45.389 | 65.991 | -8.677 |
| 89 | 47.500 | 64.629 | -9.329 |
| 90 | 49.582 | 63.190 | -9.909 |
| 91 | 51.624 | 61.690 | -10.474 |
| 92 | 53.637 | 60.150 | -11.040 |
| 93 | 55.657 | 58.597 | -11.534 |
| 94 | 57.737 | 57.067 | -11.783 |
| 95 | 59.894 | 55.659 | -11.529 |
| 96 | 61.987 | 54.568 | -10.493 |
| 97 | 63.512 | 54.094 | -8.487 |
| 98 | 63.981 | 54.255 | -5.966 |
| 99 | 63.347 | 54.877 | -3.547 |
| 100 | 61.939 | 55.773 | -1.571 |
| 101 | 60.145 | 56.794 | 0.000 |

TABLE II X-VECTOR SPLINE
(FILE SEI4I-II6-XV.TXT)

| # | X | Y | Z |
|-----|--------|--------|---------|
| 1 | 58.052 | 53.430 | 0.000 |
| 2 | 56.230 | 54.406 | 1.241 |
| 3 | 54.571 | 55.150 | 2.814 |
| 4 | 53.390 | 55.329 | 4.888 |
| 5 | 52.867 | 54.797 | 7.168 |
| 6 | 52.749 | 53.802 | 9.360 |
| 7 | 52.644 | 52.605 | 11.450 |
| 8 | 52.303 | 51.347 | 13.477 |
| 9 | 51.620 | 50.117 | 15.434 |
| 10 | 50.582 | 48.979 | 17.286 |
| 11 | 49.208 | 47.988 | 19.000 |
| 12 | 47.546 | 47.183 | 20.548 |
| 13 | 45.665 | 46.566 | 21.923 |
| 14 | 43.638 | 46.104 | 23.144 |
| 15 | 41.522 | 45.737 | 24.243 |
| 16 | 39.362 | 45.377 | 25.253 |
| 17 | 37.186 | 44.926 | 26.189 |
| 18 | 35.025 | 44.274 | 27.037 |
| 19 | 32.934 | 43.319 | 27.758 |
| 20 | 30.975 | 42.026 | 28.303 |
| 21 | 29.136 | 40.501 | 28.619 |
| 22 | 27.278 | 38.970 | 28.596 |
| 23 | 25.247 | 37.904 | 27.936 |
| 24 | 23.332 | 37.806 | 26.507 |
| 25 | 21.742 | 38.267 | 24.757 |
| 26 | 20.322 | 38.864 | 22.902 |
| 27 | 18.955 | 39.416 | 20.993 |
| 28 | 17.580 | 39.835 | 19.056 |
| 29 | 16.161 | 40.022 | 17.117 |
| 30 | 14.706 | 39.785 | 15.214 |
| 31 | 13.357 | 38.819 | 13.486 |
| 32 | 12.429 | 37.021 | 12.211 |
| 33 | 12.113 | 34.747 | 11.511 |
| 34 | 12.293 | 32.373 | 11.144 |
| 35 | 12.782 | 30.060 | 10.681 |
| 36 | 13.440 | 27.941 | 9.749 |
| 37 | 14.118 | 26.018 | 8.463 |
| 38 | 14.685 | 24.325 | 6.854 |
| 39 | 15.233 | 23.393 | 4.718 |
| 40 | 16.258 | 23.052 | 2.571 |
| 41 | 17.825 | 22.789 | 0.764 |
| 42 | 19.822 | 22.415 | -0.514 |
| 43 | 22.144 | 22.026 | -0.973 |
| 44 | 24.518 | 21.651 | -0.806 |
| 45 | 26.854 | 21.205 | -0.407 |
| 46 | 29.172 | 20.671 | -0.005 |
| 47 | 31.497 | 20.091 | 0.261 |
| 48 | 33.850 | 19.570 | 0.289 |
| 49 | 36.219 | 19.295 | -0.034 |
| 50 | 38.478 | 19.477 | -0.825 |
| 51 | 40.280 | 20.286 | -2.176 |
| 52 | 41.259 | 21.626 | -3.899 |
| 53 | 41.357 | 23.244 | -5.676 |
| 54 | 40.743 | 24.958 | -7.238 |
| 55 | 39.677 | 26.699 | -8.519 |
| 56 | 38.487 | 28.468 | -9.648 |
| 57 | 37.290 | 30.238 | -10.766 |
| 58 | 36.171 | 31.978 | -12.005 |
| 59 | 35.202 | 33.659 | -13.436 |
| 60 | 34.128 | 35.192 | -14.956 |
| 61 | 33.015 | 36.626 | -16.545 |
| 62 | 31.934 | 38.039 | -18.173 |
| 63 | 30.919 | 39.505 | -19.797 |
| 64 | 30.020 | 41.095 | -21.370 |
| 65 | 29.386 | 42.917 | -22.812 |
| 66 | 29.008 | 45.005 | -23.947 |
| 67 | 28.900 | 47.333 | -24.530 |
| 68 | 29.158 | 49.714 | -24.381 |
| 69 | 29.937 | 51.836 | -23.580 |
| 70 | 31.222 | 53.508 | -22.423 |
| 71 | 32.804 | 54.817 | -21.162 |
| 72 | 34.456 | 56.011 | -19.872 |
| 73 | 35.820 | 57.395 | -18.459 |
| 74 | 36.077 | 59.117 | -16.846 |
| 75 | 35.181 | 60.815 | -15.406 |
| 76 | 33.770 | 62.378 | -14.236 |
| 77 | 32.154 | 63.865 | -13.239 |
| 78 | 30.624 | 65.372 | -12.150 |
| 79 | 29.829 | 66.871 | -10.476 |
| 80 | 30.132 | 67.939 | -8.366 |
| 81 | 31.415 | 68.301 | -6.387 |
| 82 | 33.393 | 67.975 | -5.091 |
| 83 | 35.622 | 67.171 | -4.744 |
| 84 | 37.773 | 66.151 | -5.106 |
| 85 | 39.804 | 65.051 | -5.797 |
| 86 | 41.755 | 63.898 | -6.622 |
| 87 | 43.613 | 62.689 | -7.444 |
| 88 | 45.576 | 61.412 | -8.196 |
| 89 | 47.455 | 60.064 | -8.880 |
| 90 | 49.301 | 58.659 | -9.544 |
| 91 | 51.121 | 57.220 | -10.201 |
| 92 | 52.949 | 55.764 | -10.798 |
| 93 | 54.831 | 54.315 | -11.210 |
| 94 | 56.801 | 52.930 | -11.253 |
| 95 | 58.812 | 51.718 | -10.740 |
| 96 | 60.658 | 50.858 | -9.482 |
| 97 | 61.888 | 50.555 | -7.459 |
| 98 | 62.103 | 50.818 | -5.098 |
| 99 | 61.294 | 51.503 | -2.951 |
| 100 | 59.824 | 52.420 | -1.285 |
| 101 | 58.052 | 53.430 | 0.000 |

ALL POINT LOCATIONS ARE BASIC
FOR NOTES AND PARTS LIST SEE SHEET I

| | | | | | | | |
|---|-------|-----------|----|--------|------|-------|---|
| Oak Ridge National Laboratory managed for the DEPARTMENT OF ENERGY under U.S. GOVERNMENT contract DE-AC05-00OR22725 UT-BATTELLE, LLC. Oak Ridge, Tennessee PROJECT NAME | | | | | | | |
| UT-BATTELLE NATIONAL COMPACT STELLARATOR EXPERIMENT | | | | | | | |
| PRODUCTION WINDING FORM TYPE-C | | | | | | | |
| VERSION NO. | PLANT | BLDG | FL | SHT OF | TYPE | CLASS | |
| 6 | X-10 | 5700 | 3 | 11 | 11 | S | U |
| RELEASE LEVEL | | SEI4I-116 | | | | | |
| WIP | | | | | | | |