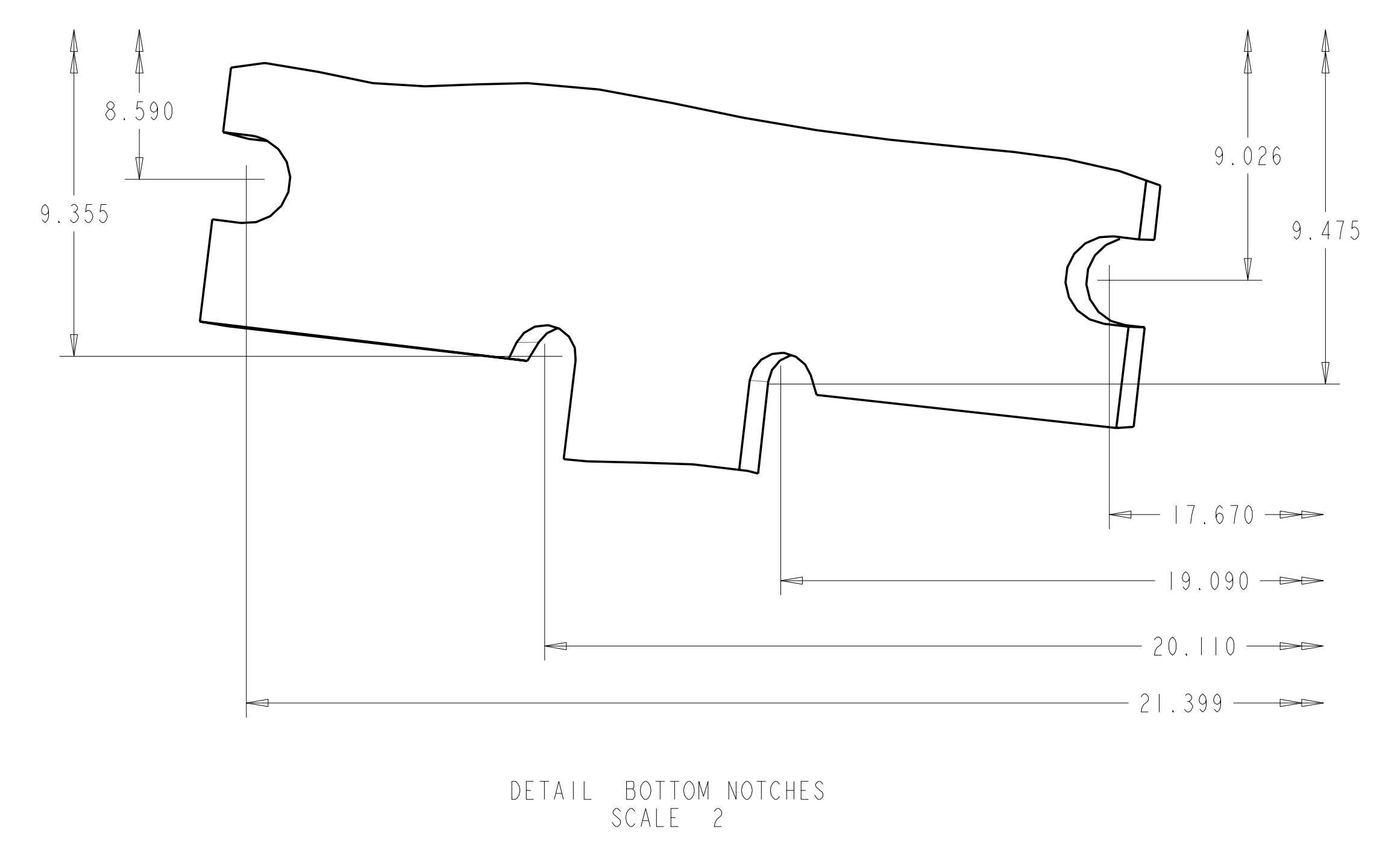
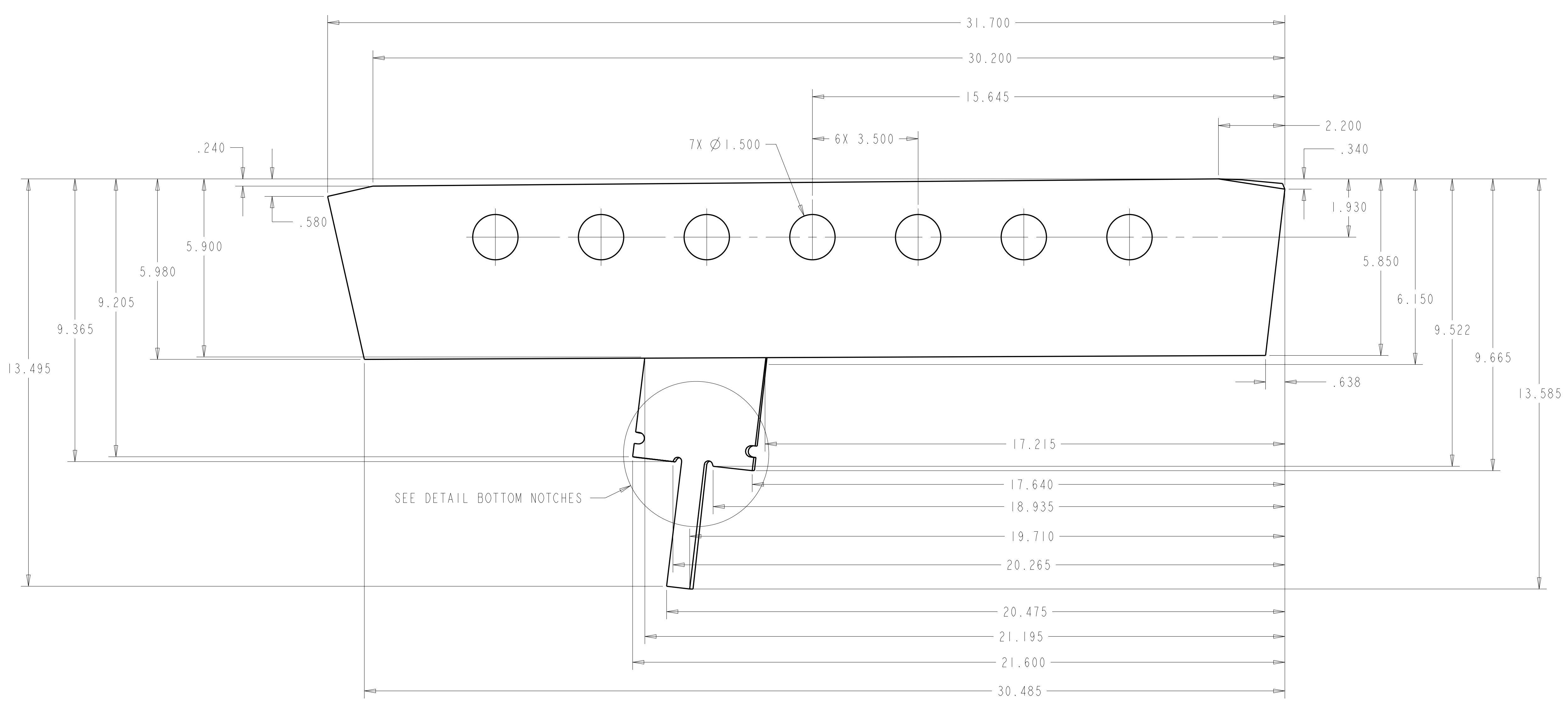
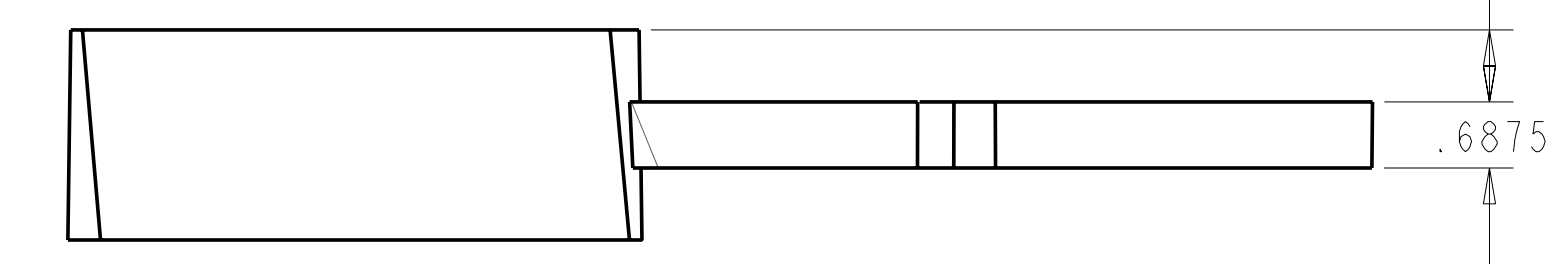
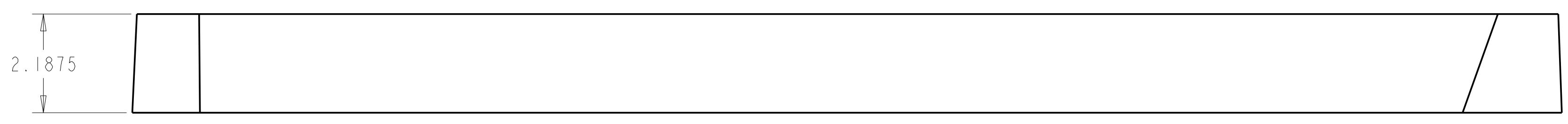
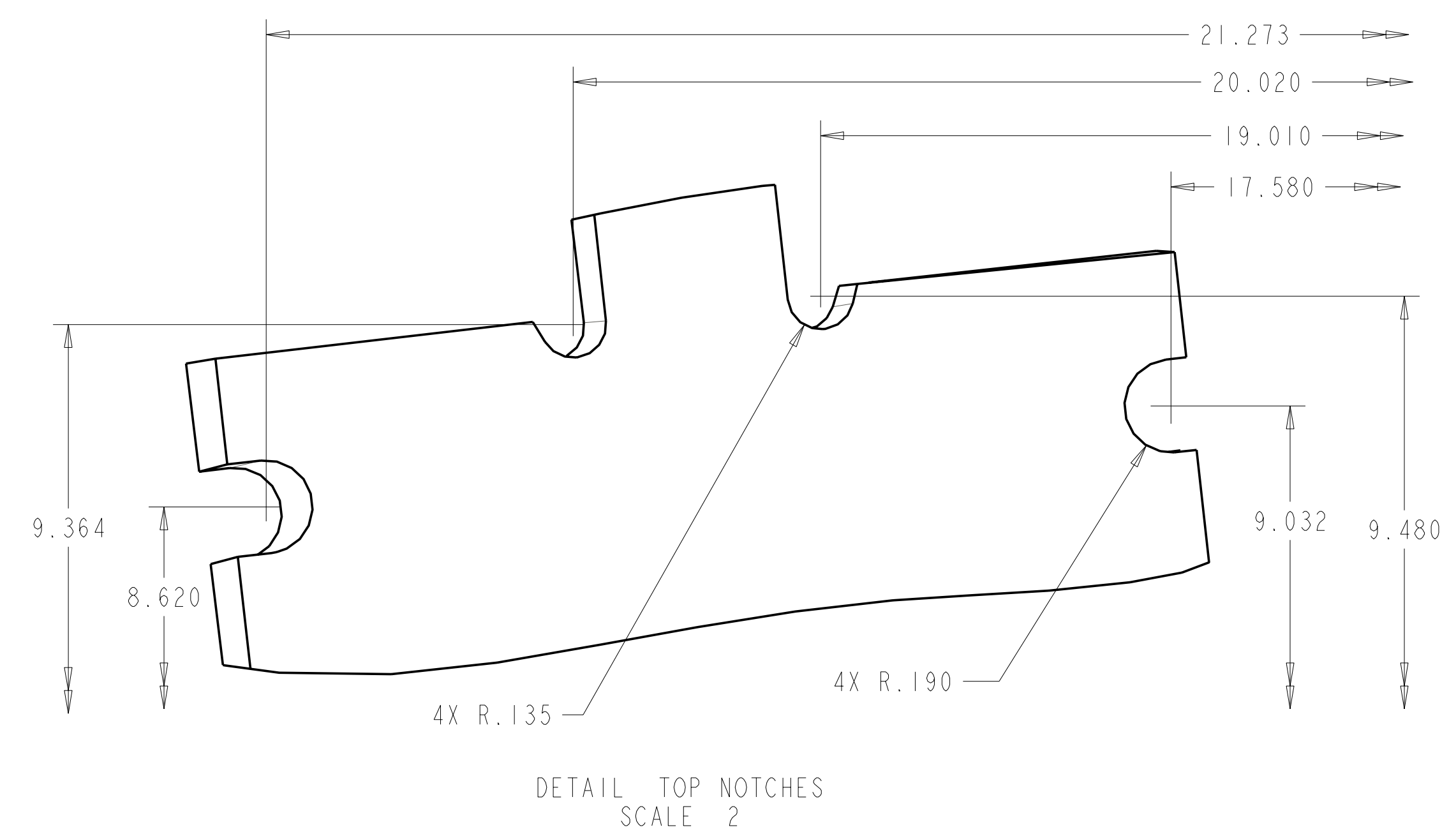
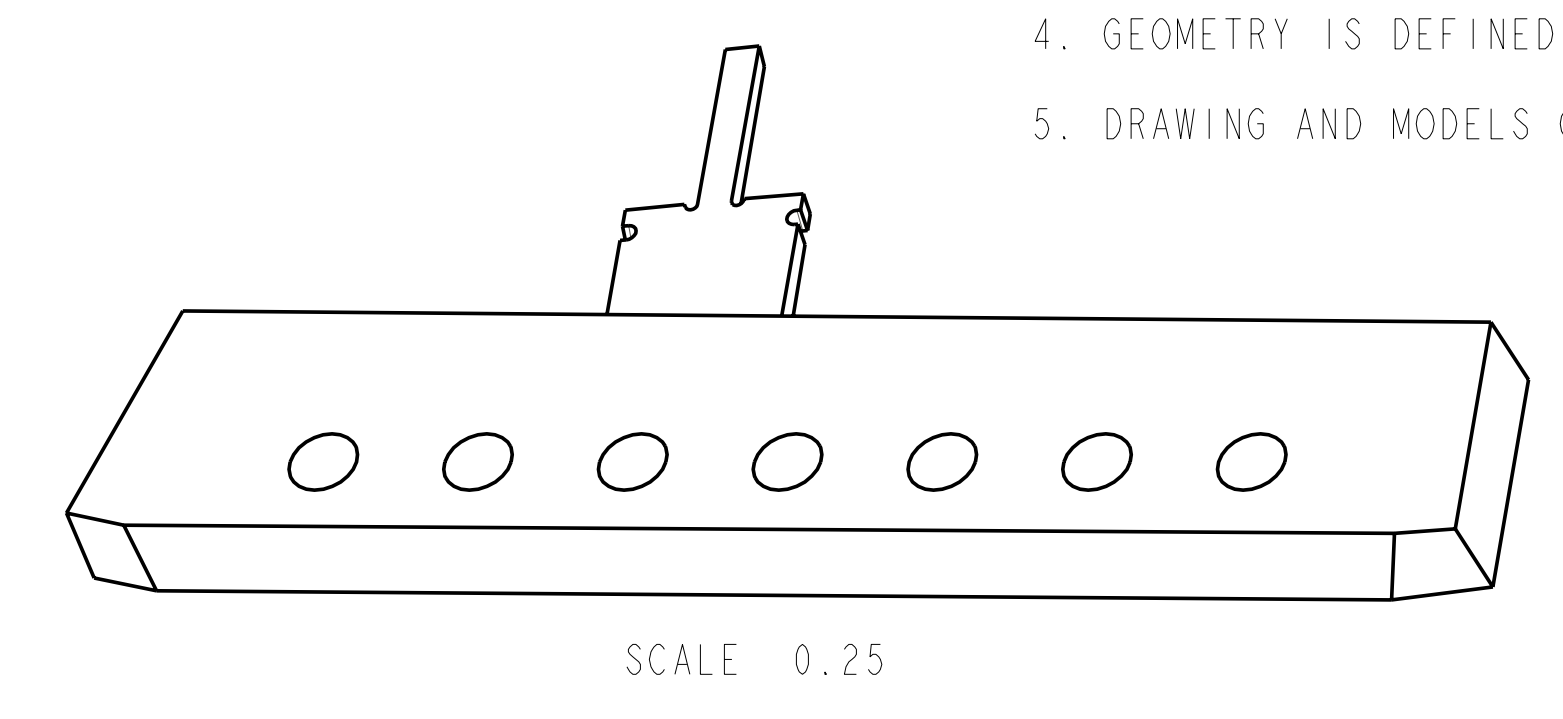
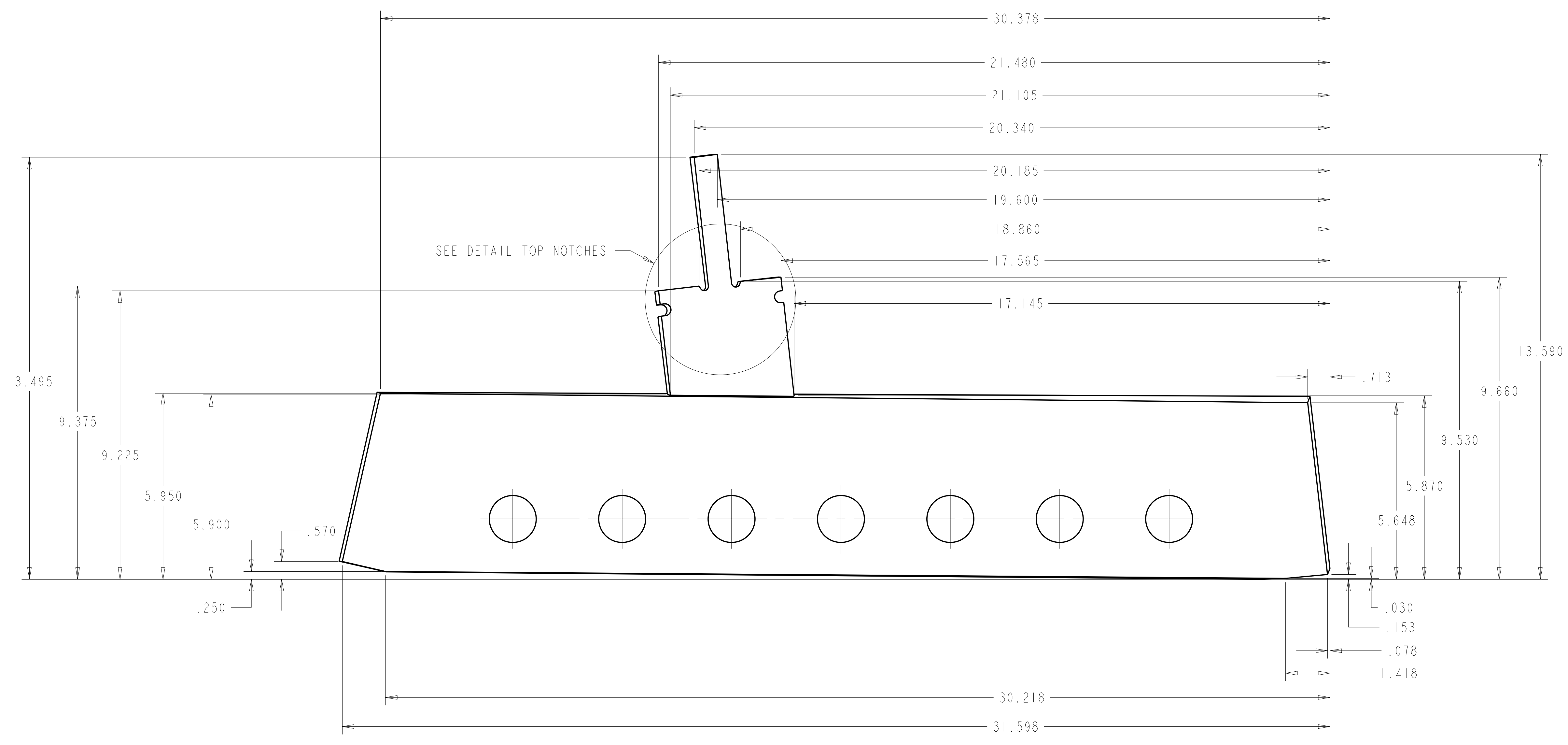


- NOTES:
1. INTERPRET DIMENSIONS AND TOLERANCES PER ANSI Y14.5M
  2. DIMENSIONS ARE IN INCHES
  3. DIMENSIONS APPLY AT ROOM TEMPERATURE. OPERATING TEMP 80 K
  4. GEOMETRY IS DEFINED IN PRO ENGINEER CAD MODELS/FILES
  5. DRAWING AND MODELS COMBINED DEFINE FINISHED MACHINED PART



next assy	CAGE CODE	SEI41-073P PART OR IDENTIFYING NO	POLOIDIAL BREAK SHIM NOMENCLATURE OR DESCRIPTION	316L SS MATERIAL	-- SPECIFICATION	FIN NO

← NEXT ASSEMBLY

PARTS LIST

NO REPRESENTATION OR WARRANTY, EXPRESSED OR IMPLIED, IS MADE AS TO THE ACCURACY, COMPLETENESS OR USEFULNESS OF THE INFORMATION OR STATEMENTS CONTAINED IN THESE DRAWINGS, OR THAT THE USE OR DISCLOSURE OF ANY INFORMATION, APPARATUS, METHOD OR PROCESS DISCLOSED IN THESE DRAWINGS MAY NOT INFRINGE PRIVATE RIGHTS OF OTHERS. NO LIABILITY IS ASSUMED WITH RESPECT TO THE USE OF, OR FOR DAMAGES RESULTING FROM THE USE OF, ANY INFORMATION, APPARATUS, METHOD OR PROCESS DISCLOSED IN THESE DRAWINGS. DRAWINGS MADE AVAILABLE FOR INFORMATION TO BIDDER ARE NOT TO BE USED FOR OTHER PURPOSES, AND ARE TO BE RETURNED UPON REQUEST OF THE FORWARDING CONTRACTOR.

**P** THIS DRAWING PRODUCED ON PRO-ENGINEER

REV	DESCRIPTION	BY	DATE	CHK	DEPT	DATE	PE	REQ	DATE	ORNL	BOE	DATE

SCALE	0.5	DES	PAUL MILLER	4-27-04
TOLERANCES UNLESS OTHERWISE SPECIFIED		DRW	PAUL MILLER	5-03-04
FRACTIONS	±.01	CHN		
XX DECIMALS	±.005	SECT		
XXX DECIMALS	±0'15"	DEPT		
ANGLES		PE		
BREAK SHARP EDGES	.06 MAX	CR		
FINISH	.125 UNLESS OTHERWISE SPECIFIED	PJ		
		REQ		
		PPPL DRFT		

Oak Ridge National Laboratory  
 managed for the DEPARTMENT OF ENERGY under  
 U.S. GOVERNMENT contract DE-AC05-00OR22725  
 UT-BATTELLE, LLC, Oak Ridge, Tennessee

**UT-BATTELLE**

NATIONAL COMPACT STELLARATOR EXPERIMENT

POLOIDIAL BREAK SHIM

VERSION NO.	PLANT	BLOG	FL	SHT	OF	TYPE	CLASS
3	X-10	5700	3	1	1	S	U
RELEASE LEVEL	SEI41-073P						REV
WIP							0

H  
G  
F  
E  
D  
C  
B  
A

NAME: XDW OBJECT: SEI41-073P DATE: 15-Jun-04 14:11:57