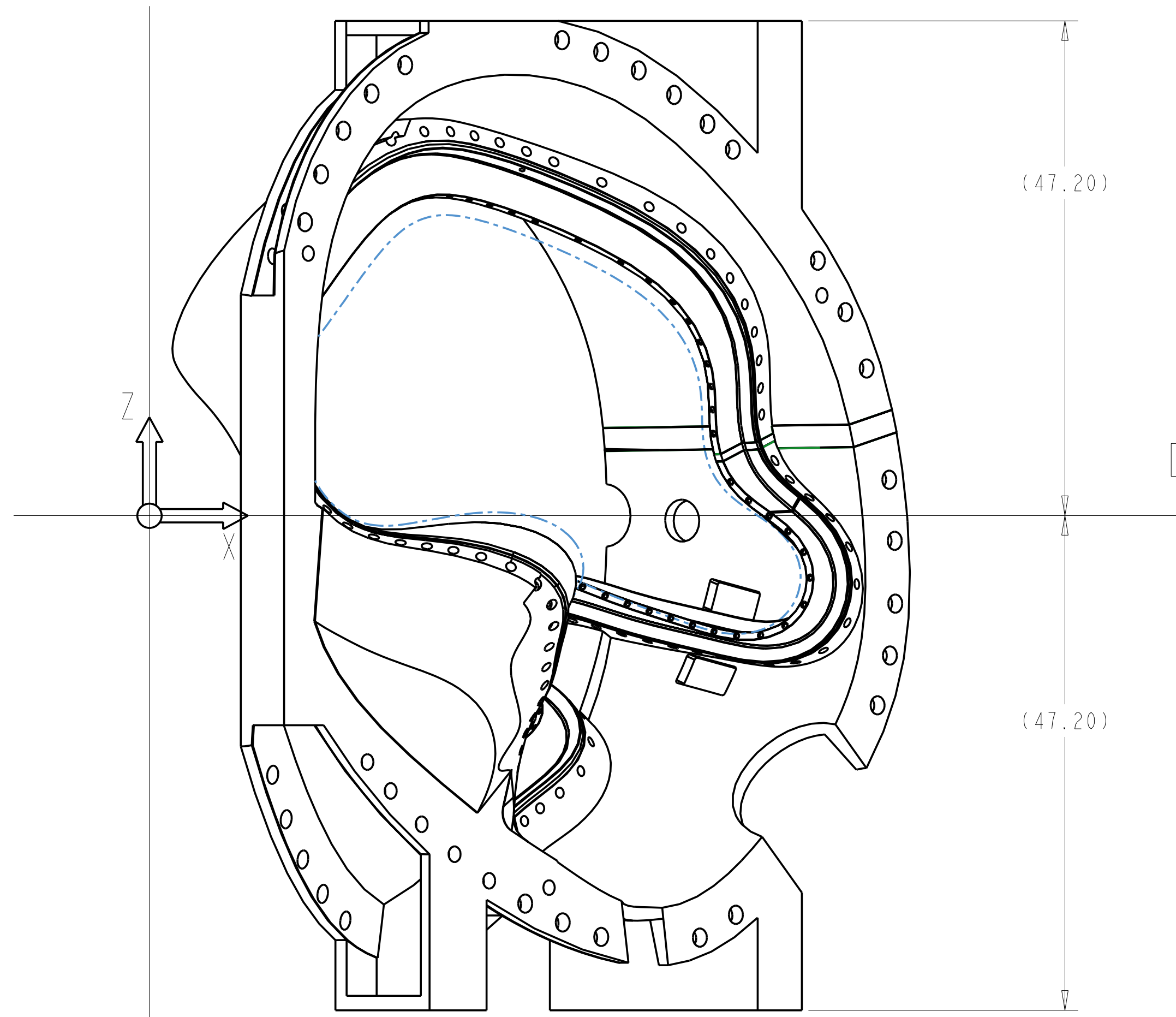


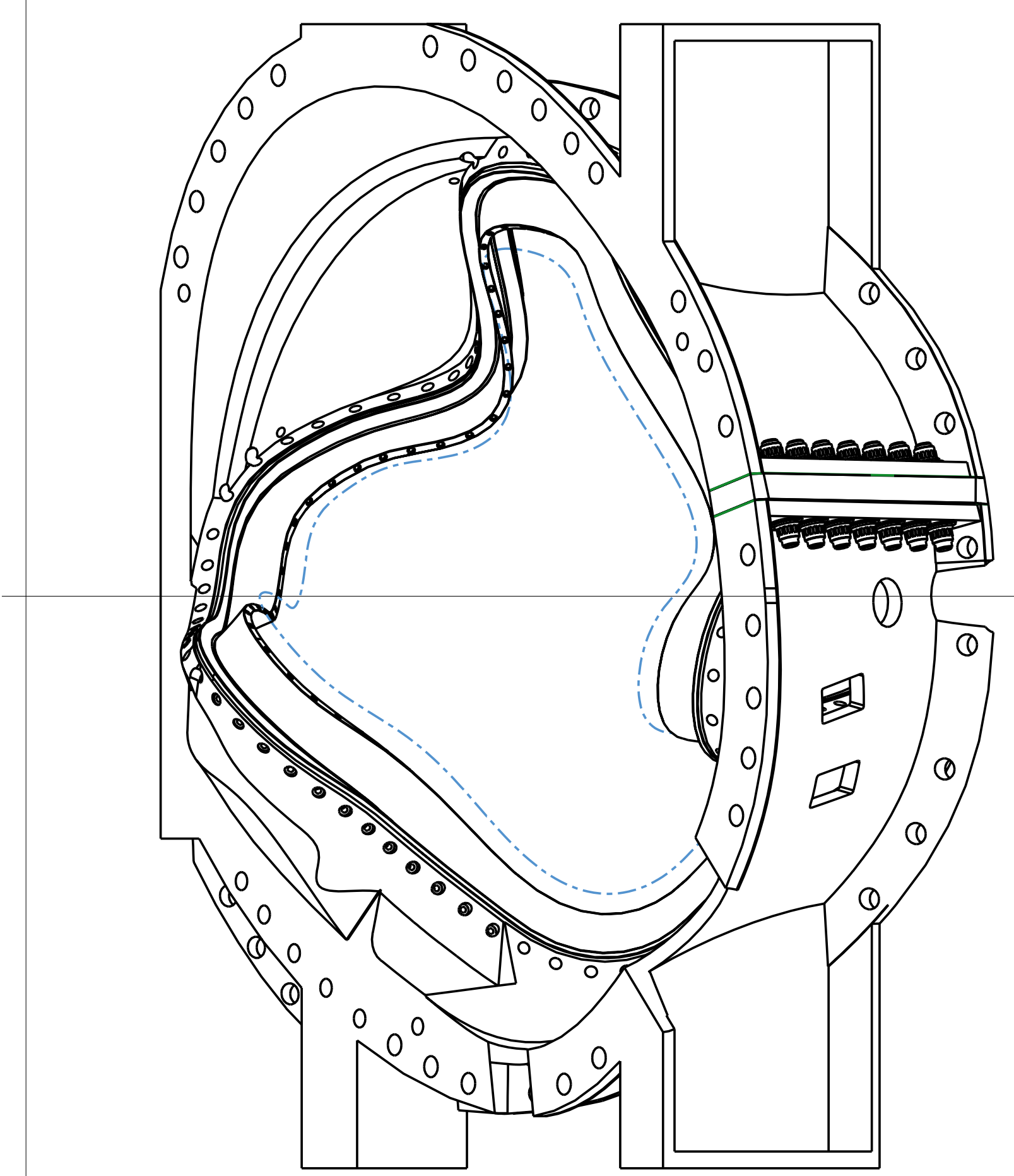
ISOMETRIC VIEW

SCALE .10

- NOTES:
1. INTERPRET DIMENSIONS AND TOLERANCES PER ANSI Y14.5M
 2. DIMENSIONS ARE IN INCHES
 3. DIMENSIONS APPLY AT ROOM TEMPERATURE. OPERATING TEMP 80 K
 4. GEOMETRY IS DEFINED IN PRO ENGINEER CAD MODELS/FILES
 5. DRAWING AND MODELS COMBINED DEFINE FINISHED MACHINED PART



SCALE .10



REV	CAGE CODE	PART OR IDENTIFYING NO	NOMENCLATURE OR DESCRIPTION	MATERIAL	SPECIFICATION	FIND NO
1		SE141-116P	Prototype Winding Form, Type-C Revised	--	--	10
1		SE141-103PDM	PROTOTYPE WINDING FORM, TYPE-C ASM REVISED	--	--	9
14		SE141-079	0.125 THICK FLAT WASHER	316L SS	--	8
1		SE141-074P	PB UPPER INSULATOR	G11CR	--	7
1		SE141-073P	POLOIDIAL BREAK SHIM	316L SS	--	6
1		SE141-071P	PB LOWER INSULATOR	G11CR	--	5
14		SE141-060	NUT, DOUBLE HEX, SELF LOCKING, 1-3/8-6 UNC-2B	A-286, SILVER PLATED	MIL-DTL-25027, AMS 2410	4
14		SE141-038	INSULATING WASHER	G11CR	--	3
7		SE141-037	INSULATING TUBE	G11CR	--	2
7		SE141-036	STUD, 1-3/8-6 UNC-2A	316L SS	--	1

← NEXT ASSEMBLY

PARTS LIST

NO REPRESENTATION OR WARRANTY, EXPRESSED OR IMPLIED, IS MADE AS TO THE ACCURACY, COMPLETENESS OR USEFULNESS OF THE INFORMATION OR STATEMENTS CONTAINED IN THESE DRAWINGS, OR THAT THE USE OR DISCLOSURE OF ANY INFORMATION, APPARATUS, METHOD OR PROCESS DISCLOSED IN THESE DRAWINGS MAY NOT INFRINGE PRIVATE RIGHTS OF OTHERS. NO LIABILITY IS ASSUMED WITH RESPECT TO THE USE OF, OR FOR DAMAGES RESULTING FROM THE USE OF, ANY INFORMATION, APPARATUS, METHOD OR PROCESS DISCLOSED IN THESE DRAWINGS. DRAWINGS MADE AVAILABLE FOR INFORMATION TO BIDDER ARE NOT TO BE USED FOR OTHER PURPOSES, AND ARE TO BE RETURNED UPON REQUEST OF THE FORWARDING CONTRACTOR.

P THIS DRAWING PRODUCED ON PRO-ENGINEER

REV	DESCRIPTION	BY	DATE	CHK	DEPT	DATE	PE	REQ	DATE	DRNL	BOE	DATE

SCALE NOTED	DES PAUL MILLER	4-27-04
TOLERANCES UNLESS OTHERWISE SPECIFIED	DRW PAUL MILLER	5-05-04
FRACTIONS ±.01		
XX DECIMALS ±.005		
XXX DECIMALS ±.0015		
ANGLES ±0°15'		
BREAK SHARP EDGES .06 MAX		
FINISH .125 UNLESS OTHERWISE SPECIFIED		

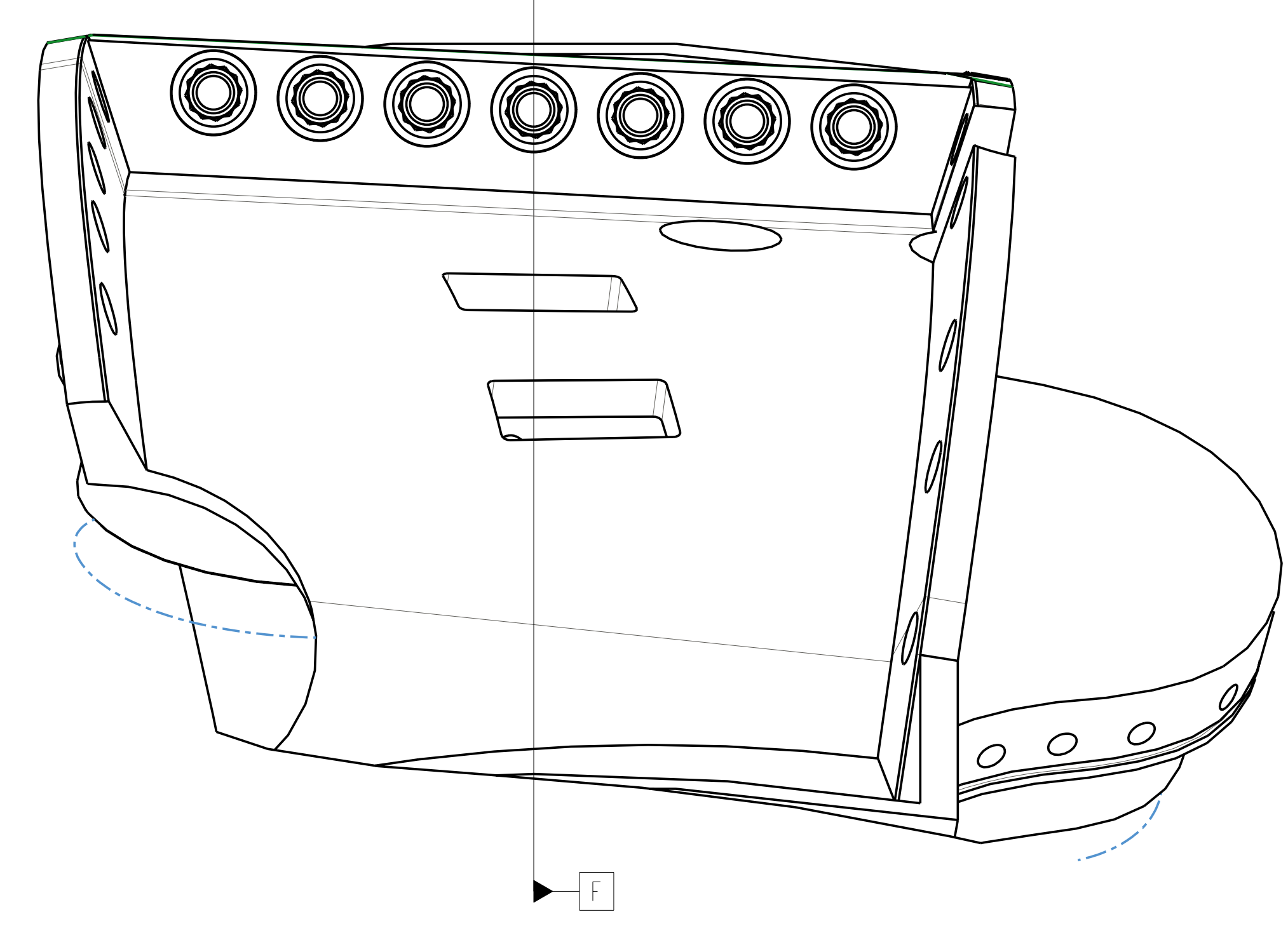
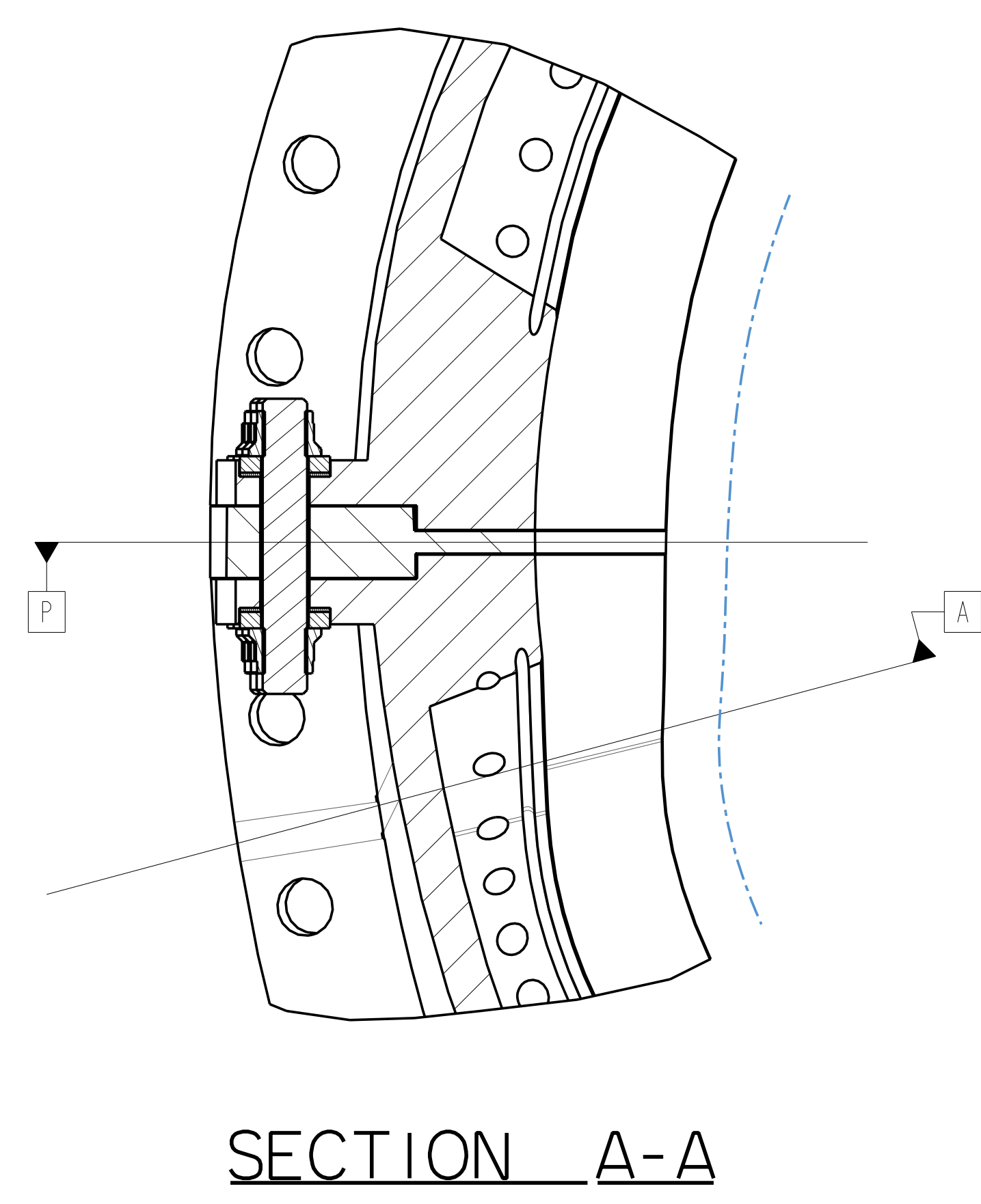
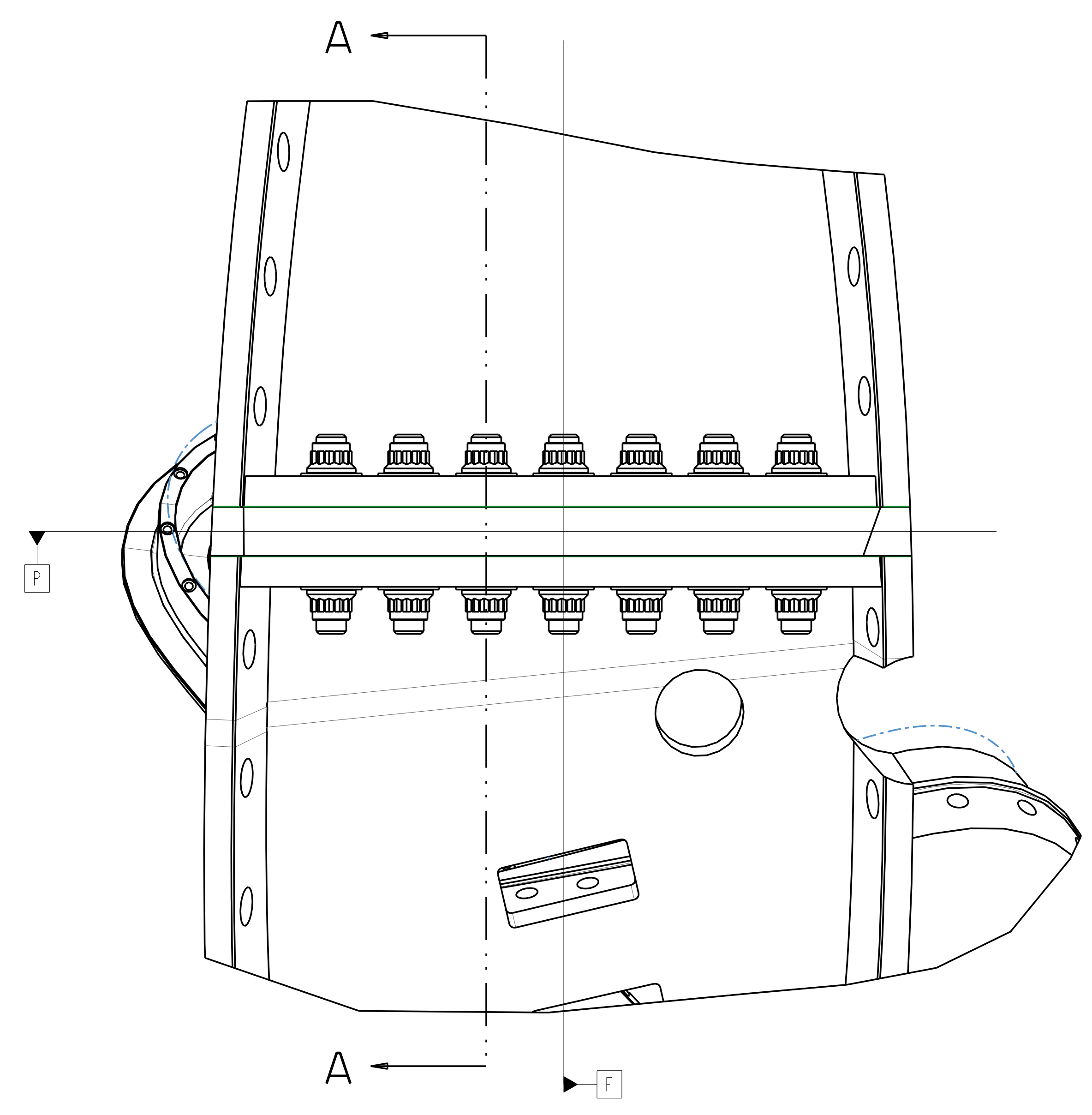
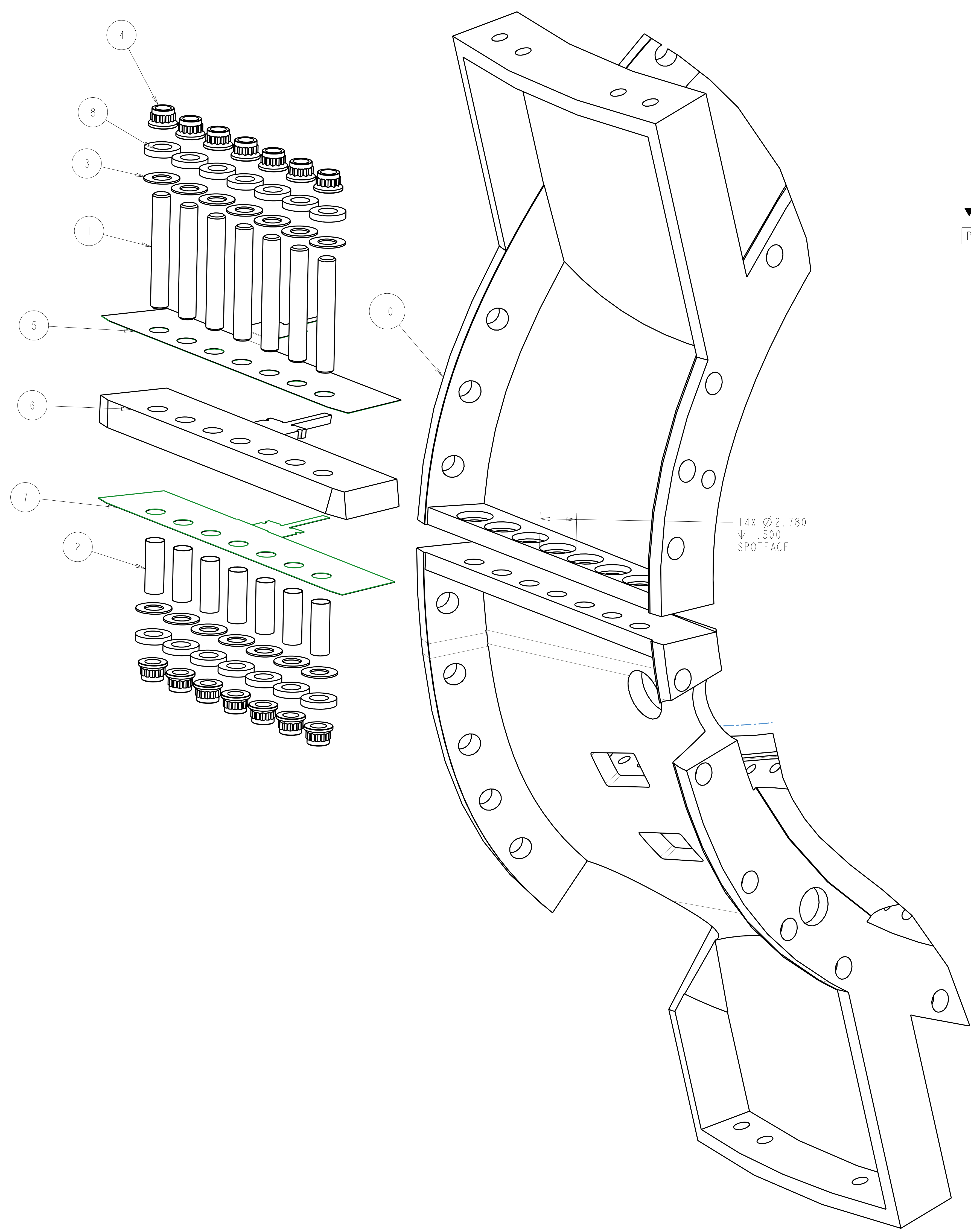
Oak Ridge National Laboratory
 managed for the DEPARTMENT OF ENERGY under
 U.S. GOVERNMENT contract DE-AC05-00OR22725
 UT-BATTELLE, LLC, Oak Ridge, Tennessee

UT-BATTELLE

NATIONAL COMPACT STELLARATOR EXPERIMENT

PROTOTYPE WINDING FORM, TYPE-C ASM REVISED

VERSION NO.	PLANT	BLDG	FL	SHT	OF	TYPE	CLASS
5+	X-10	5700	3	1	2	S	U
RELEASE LEVEL	SE141-103PDM						REV
WIP							0



EXPLODED VIEW
SCALE .250

NAME: XDW OBJECT: SE141-103PDM_2 DATE: 15-Jun-04 14:23:03

UT-BATTELLE		Oak Ridge National Laboratory managed for the DEPARTMENT OF ENERGY under U.S. GOVERNMENT contract DE-AC05-00OR22725 UT-BATTELLE, LLC, Oak Ridge, Tennessee			
PROJECT NAME					
NATIONAL COMPACT STELLARATOR EXPERIMENT					
WINDING FORM TYPE "C" ASSEMBLY					
VERSION NO.	PLANT	BLOG	FL	SHT OF	TYPE CLASS
5+	X-10	5700	3	2 2	S U
RELEASE LEVEL		REV			
WIP		0			
		SE141-103PDM			