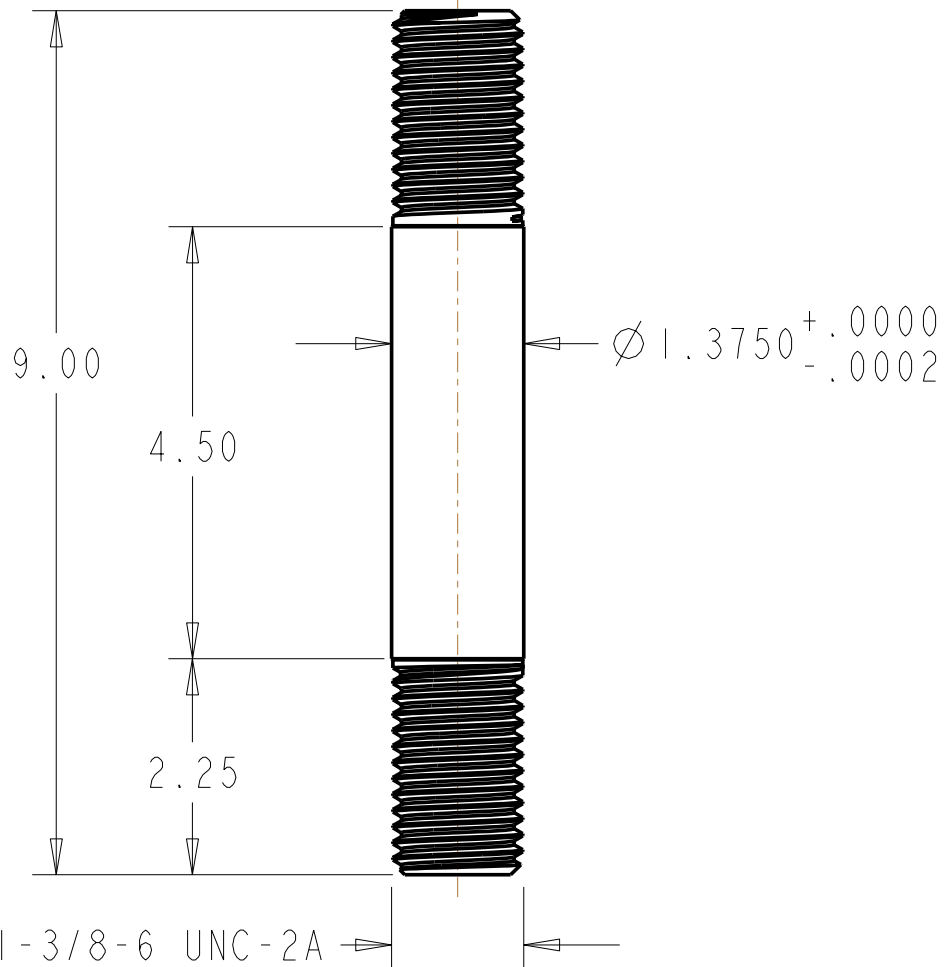


.625 STD SOC HD
WRENCH OPENING ∇ .63
TYP EACH END



2X 1-3/8-6 UNC-2A

TOLERANCE = $\pm .010$ AND $\pm 2^\circ$

INFORMATIONAL PURPOSES ONLY
NOT FOR FABRICATION

MATERIAL	ASTM A286	SOURCE	BID / PREFERRED
SPEC	NA	VENDOR	COMPANY ADDRESS PHONE
HEAT TREAT	NA		
COATING	SILVER PLATE PER AMS 2410		
UNITS	INCHES		

DATA SHEET



FILENAME	TITLE / DESCRIPTION				
DS141-036	STUD, 1-3/8-6 UNC-2A				
PREPARED BY	CHECKED BY	APPROVED BY	ISSUE DATE	VER	REV
MT BROWN	M COLE	D WILLIAMSON	6/24/04	3	0