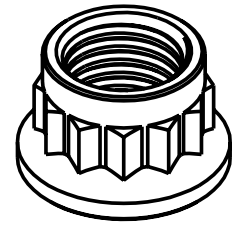
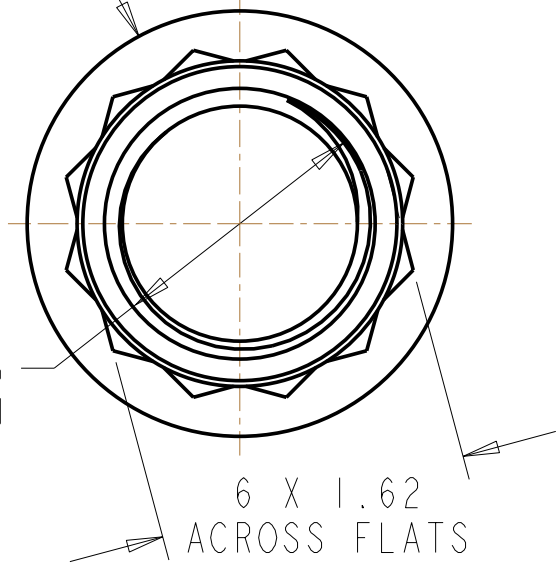
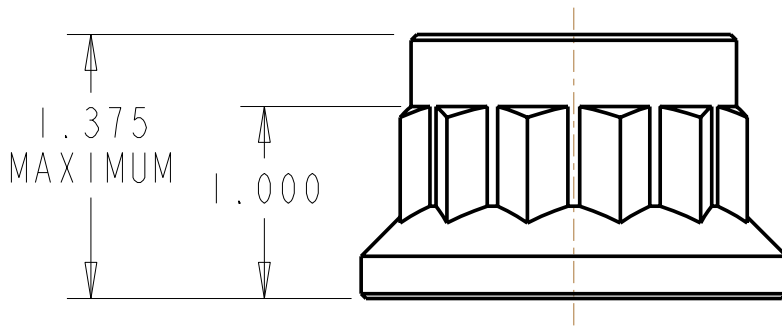


Ø 2.216 MAXIMUM



SCALE 0.500



TOLERANCE = ±.010 AND ±2°

INFORMATIONAL PURPOSES ONLY
NOT FOR FABRICATION

MATERIAL	ASTM A286	SOURCE	BID / PREFERRED
SPEC	NA	VENDOR	SUGGESTED VENDOR: PCC SPS Fastener Division 301 HIGHLAND AVENUE JENKINTOWN, PA 19046 PHONE: 215-572-3000
HEAT TREAT	NA		
COATING	SILVER PLATE PER AMS 2410		
UNITS	INCHES		
LUBRICANT			

DATA SHEET



FILENAME	TITLE / DESCRIPTION				
DS141-060	NUT, 12PT HEX, 1-3/8-6 UNC-2B				
PREPARED BY	CHECKED BY	APPROVED BY	ISSUE DATE	VER	REV
MT BROWN	M COLE	D WILLIAMSON	6/24/04	3	0