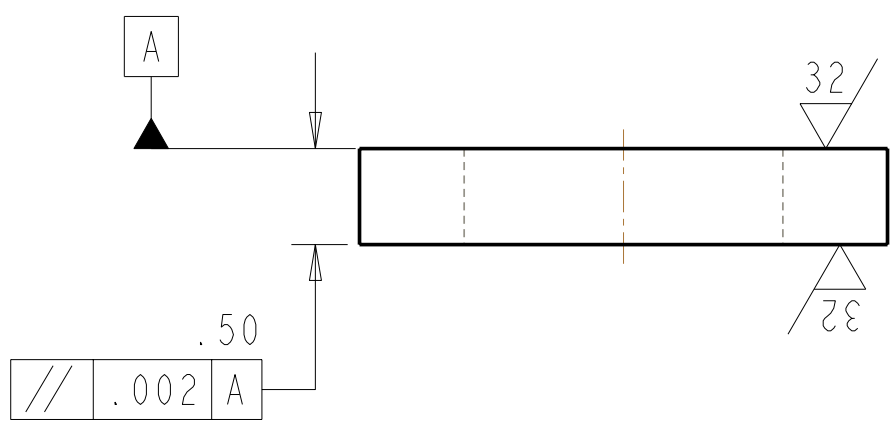
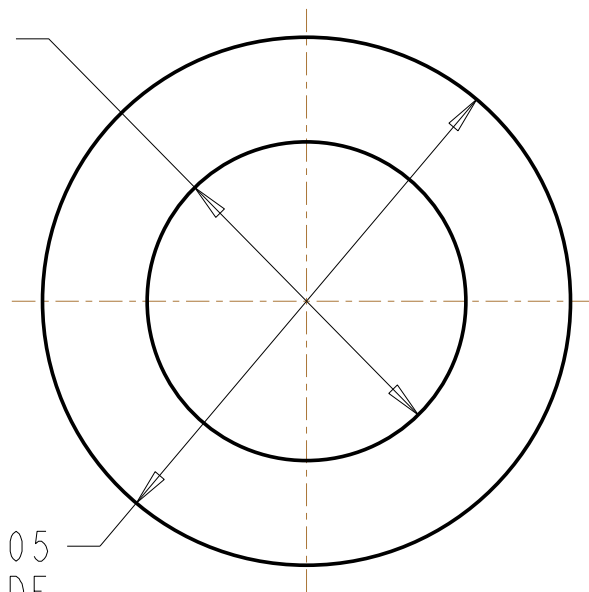


Ø 1.66 ± .01  
INSIDE  
DIAMETER

Ø 2.75 ± .05  
OUTSIDE  
DIAMETER



TOLERANCE = ±.010 AND ±2°

INFORMATIONAL PURPOSES ONLY  
NOT FOR FABRICATION

MATERIAL	ASTM A286	SOURCE	BID / PREFERRED
SPEC	NA	VENDOR	COMPANY ADDRESS PHONE
HEAT TREAT	NA		
COATING	SILVER PLATE PER AMS 2411		
UNITS	INCHES		
	REMOVE ALL BURRS & SHARP EDGES		

<b>DATA SHEET</b>  <b>UT-BATTELLE</b> OAK RIDGE NATIONAL LABORATORY	FILENAME <b>DS141-079</b>	TITLE / DESCRIPTION WASHER, 2.75 OD X 1.66 ID X .5 THK				
	PREPARED BY MT BROWN	CHECKED BY M COLE	APPROVED BY D WILLIAMSON	ISSUE DATE 6/24/04	VER 3	REV 0