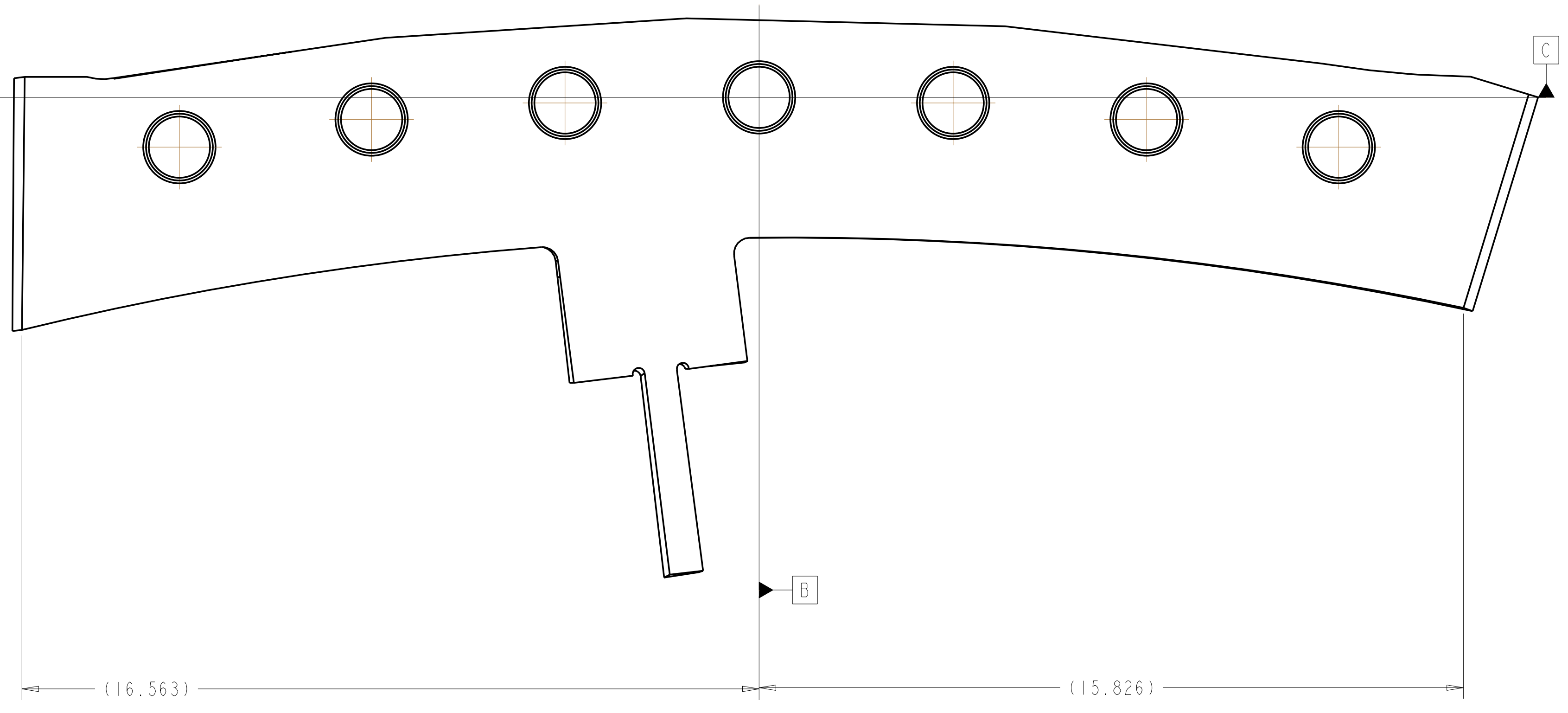
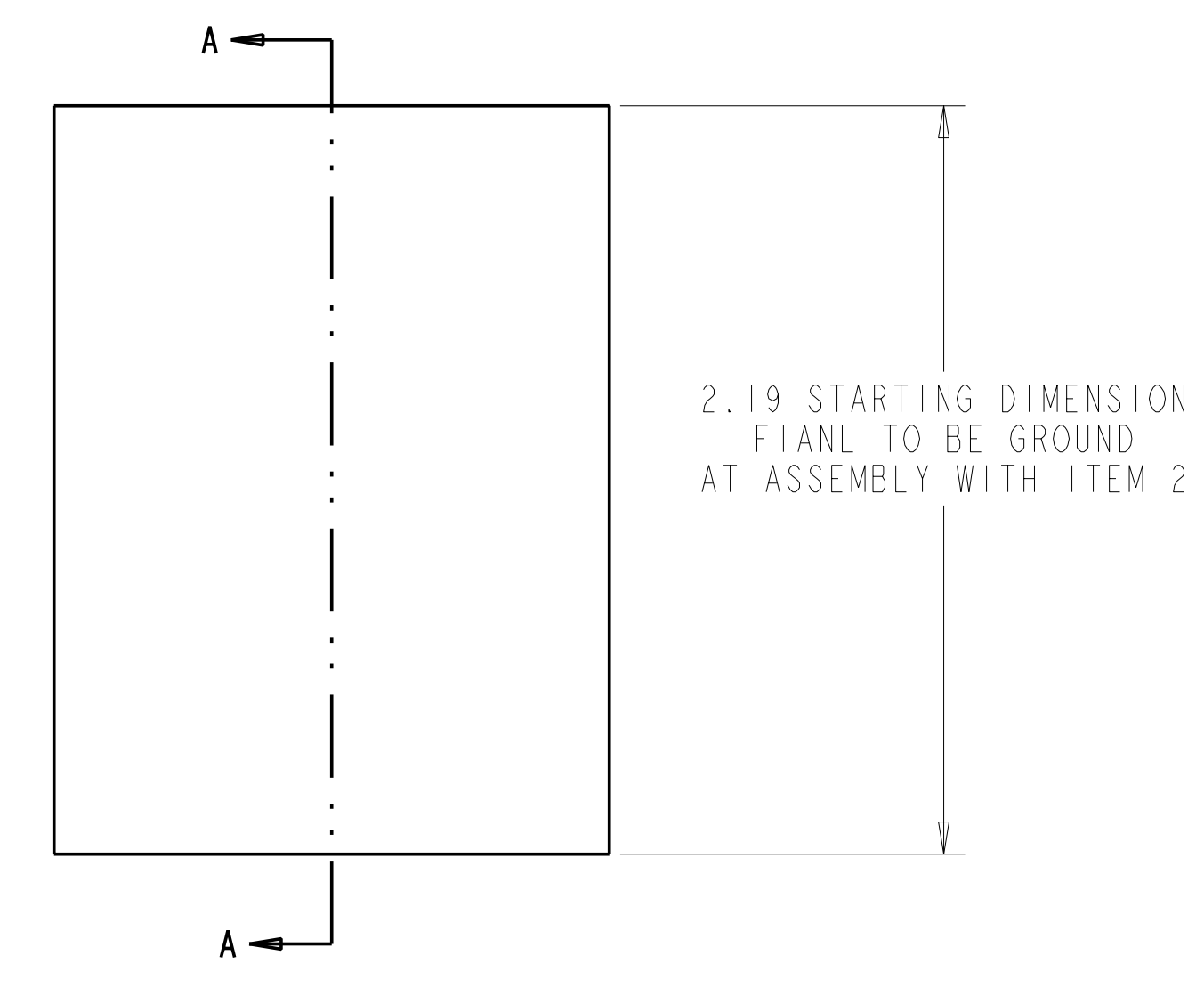
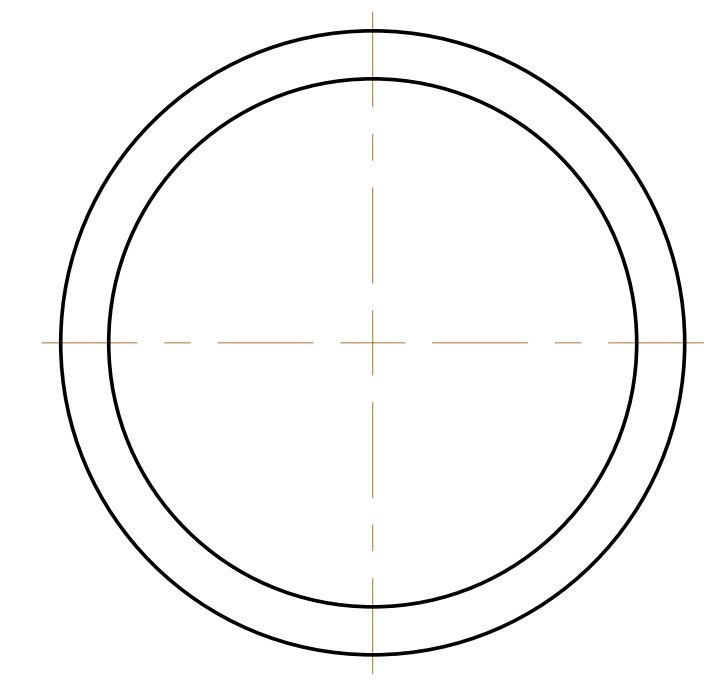
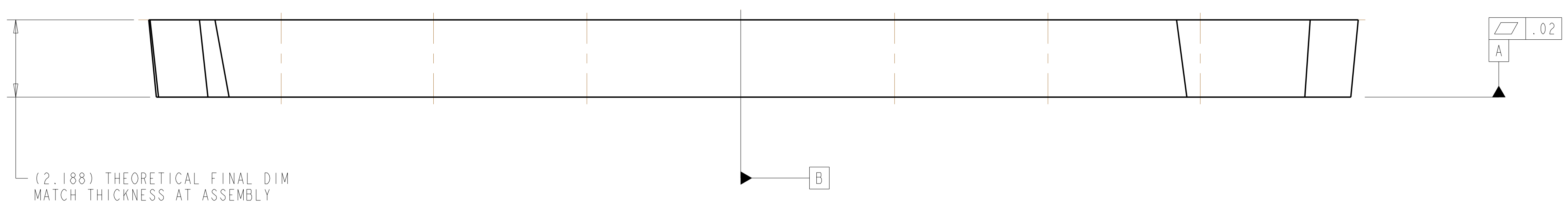


- NOTES:
1. INTERPRET DIMENSIONS AND TOLERANCES PER ANSI Y14.5M.
  2. DIMENSIONS ARE IN INCHES.
  3. DIMENSIONS APPLY AT ROOM TEMPERATURE. OPERATING TEMP 80 K.
  4. DRAWING DEPICTS FINAL MACHINED STATE OF ASSEMBLY DEFINED BY PRO/ENGINEER FILE SE141-048.ASM.
  5. APPROXIMATE MASS=105 LBS.
  6. SEE SPECIFICATIONS, NCSX-CSPEC-141-03-00, FOR ADDITIONAL REQUIREMENTS.
  - 7 BOND INSULATING SLEEVE (ITEM 3) INTO SHIM (ITEM 2) USING LOCTITE 411 PER MANUFACTURER'S INSTRUCTIONS.
  8. SHIM MATERIAL FROM SAME CASTING AS PART SE141-114. MARK FOR IDENTIFICATION.



REV	DESCRIPTION	BY	DATE	CHK	DEPT	DATE	PE	REQ	DATE	ORNL	DOE	DATE

7	INSULATING SLEEVE	GIICR	NEMA L1 I - 1998	3
1	TYPE-A PB SHIM	316L SS	--	2
1	POLOIDIAL BREAK SHIM ASSEMBLY	CAST SS	--	1

← NEXT ASSEMBLY

PARTS LIST

**FOR INFORMATION ONLY  
 NOT APPROVED FOR FABRICATION**

SCALE NOTED	DES: GARY LOVETT 6-30-04	DRW: PAUL MILLER 6-30-04	CHK: M COLE 6-30-04	DEPT: : PE: D WILLIAMSON CR: : PJ: : RD: : PPPL DRFT J SIEGEL 6-30-04	UT-BATTELLE NATIONAL COMPACT STELLARATOR EXPERIMENT	VERSION NO. 5	PLANT X-10	BLDG 5700	FL 3	SHT OF 1	TYPE I	CLASS U
TOLERANCES UNLESS OTHERWISE SPECIFIED	: .01			FINISH : .125 UNLESS OTHERWISE SPECIFIED	RELEASE LEVEL WIP	SEI41-048		REV -				

NO REPRESENTATION OR WARRANTY, EXPRESSED OR IMPLIED, IS MADE AS TO THE ACCURACY, COMPLETENESS OR USEFULNESS OF THE INFORMATION OR STATEMENTS CONTAINED IN THESE DRAWINGS, OR THAT THE USE OR DISCLOSURE OF ANY INFORMATION, APPARATUS, METHOD OR PROCESS DISCLOSED IN THESE DRAWINGS MAY NOT INFRINGE PRIVATE RIGHTS OF OTHERS. NO LIABILITY IS ASSUMED WITH RESPECT TO THE USE OF, OR FOR DAMAGES RESULTING FROM THE USE OF, ANY INFORMATION, APPARATUS, METHOD OR PROCESS DISCLOSED IN THESE DRAWINGS. DRAWINGS MADE AVAILABLE FOR INFORMATION TO BIDDER ARE NOT TO BE USED FOR OTHER PURPOSES, AND ARE TO BE RETURNED UPON REQUEST OF THE FORWARDING CONTRACTOR.

**P** THIS DRAWING PRODUCED ON PRO-ENGINEER

SCALE 0.5

H  
G  
F  
E  
D  
C  
B  
A

SEI41-048