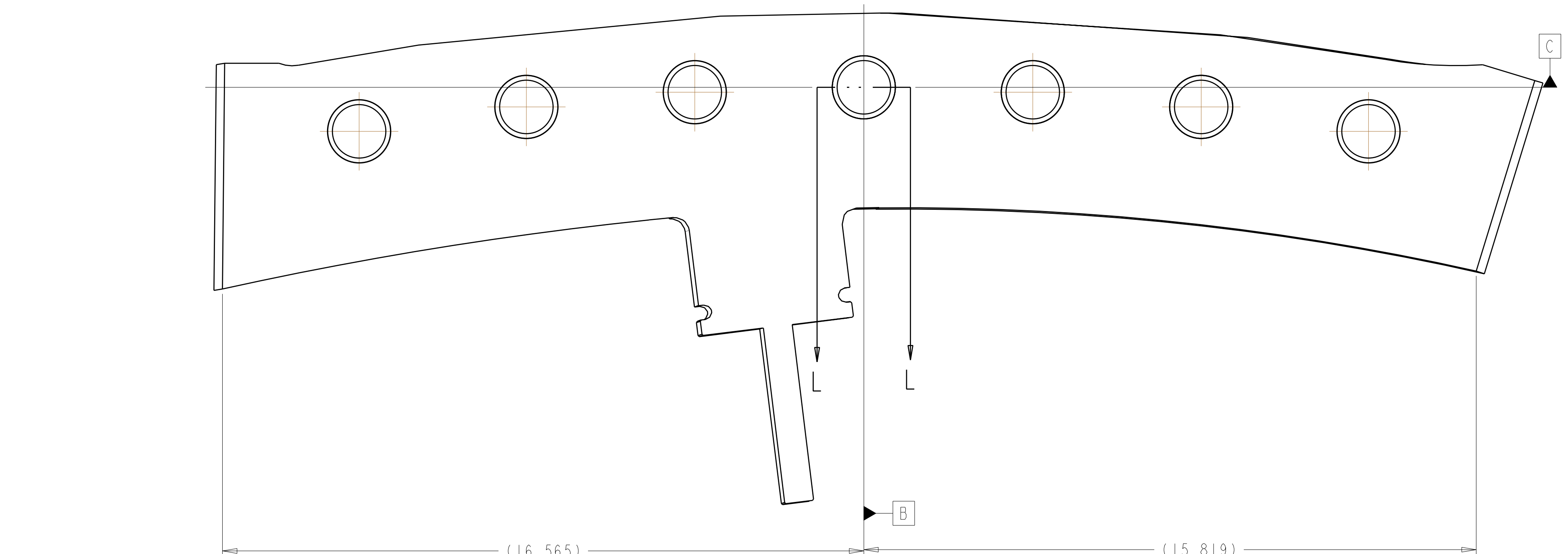
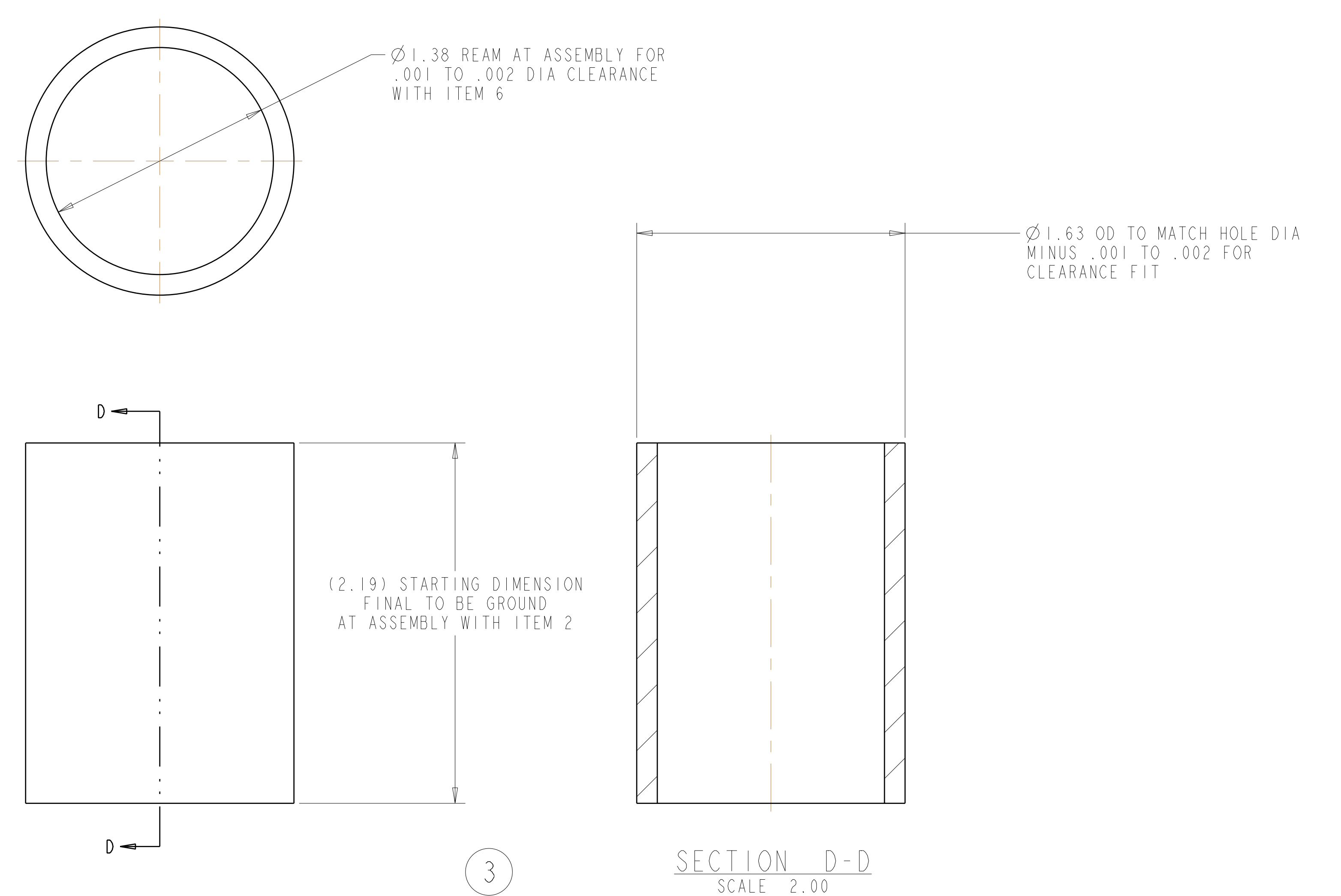
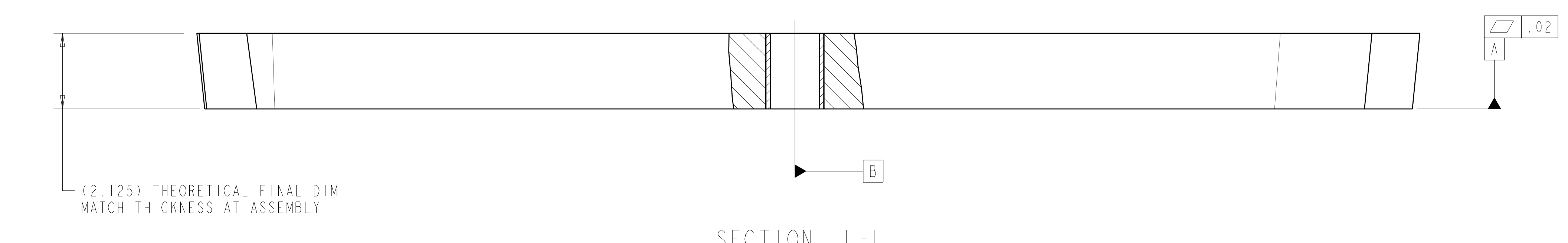


- NOTES:
1. INTERPRET DIMENSIONS AND TOLERANCES PER ANSI Y14.5M.
 2. DIMENSIONS ARE IN INCHES.
 3. DIMENSIONS APPLY AT TEMPERATURE OF 20-30°C (68-86°F).
 4. DRAWING DEPICTS FINAL MACHINED STATE OF ASSEMBLY DEFINED BY PRO/ENGINEER FILE SE141-048.ASM.
 5. APPROXIMATE WEIGHT=105 LBS.
 6. SEE LATEST REVISION OF SPECIFICATION NCSX-CSPEC-141-03 FOR ADDITIONAL REQUIREMENTS.
 7. BOND INSULATING SLEEVE (ITEM 3) INTO SHIM (ITEM 2) USING LOCTITE 411 PER MANUFACTURER'S INSTRUCTIONS.
 8. SHIM MATERIAL FROM SAME CASTING AS PART SE141-114. MARK FOR IDENTIFICATION.



I SCALE 0.50

REV	DESCRIPTION	BY	DATE	CHK	DEPT	DATE	PE	REQ	DATE	ORNL	DOE	DATE
1	REVISED "T" PROFILE PER ECN-4903	GLL	9/04	MJC			DEW					

REV	DESCRIPTION	BY	DATE	CHK	DEPT	DATE	PE	REQ	DATE	ORNL	DOE	DATE
1	REVISED "T" PROFILE PER ECN-4903	GLL	9/04	MJC			DEW					

REV	DESCRIPTION	BY	DATE	CHK	DEPT	DATE	PE	REQ	DATE	ORNL	DOE	DATE
1	REVISED "T" PROFILE PER ECN-4903	GLL	9/04	MJC			DEW					

REV	DESCRIPTION	BY	DATE	CHK	DEPT	DATE	PE	REQ	DATE	ORNL	DOE	DATE
1	REVISED "T" PROFILE PER ECN-4903	GLL	9/04	MJC			DEW					

REV	DESCRIPTION	BY	DATE	CHK	DEPT	DATE	PE	REQ	DATE	ORNL	DOE	DATE
1	REVISED "T" PROFILE PER ECN-4903	GLL	9/04	MJC			DEW					

REV	DESCRIPTION	BY	DATE	CHK	DEPT	DATE	PE	REQ	DATE	ORNL	DOE	DATE
1	REVISED "T" PROFILE PER ECN-4903	GLL	9/04	MJC			DEW					

REV	DESCRIPTION	BY	DATE	CHK	DEPT	DATE	PE	REQ	DATE	ORNL	DOE	DATE
1	REVISED "T" PROFILE PER ECN-4903	GLL	9/04	MJC			DEW					

REV	DESCRIPTION	BY	DATE	CHK	DEPT	DATE	PE	REQ	DATE	ORNL	DOE	DATE
1	REVISED "T" PROFILE PER ECN-4903	GLL	9/04	MJC			DEW					

REV	DESCRIPTION	BY	DATE	CHK	DEPT	DATE	PE	REQ	DATE	ORNL	DOE	DATE
1	REVISED "T" PROFILE PER ECN-4903	GLL	9/04	MJC			DEW					

REV	DESCRIPTION	BY	DATE	CHK	DEPT	DATE	PE	REQ	DATE	ORNL	DOE	DATE
1	REVISED "T" PROFILE PER ECN-4903	GLL	9/04	MJC			DEW					

REV	DESCRIPTION	BY	DATE	CHK	DEPT	DATE	PE	REQ	DATE	ORNL	DOE	DATE
1	REVISED "T" PROFILE PER ECN-4903	GLL	9/04	MJC			DEW					

REV	DESCRIPTION	BY	DATE	CHK	DEPT	DATE	PE	REQ	DATE	ORNL	DOE	DATE
1	REVISED "T" PROFILE PER ECN-4903	GLL	9/04	MJC			DEW					

REV	DESCRIPTION	BY	DATE	CHK	DEPT	DATE	PE	REQ	DATE	ORNL	DOE	DATE
1	REVISED "T" PROFILE PER ECN-4903	GLL	9/04	MJC			DEW					

REV	DESCRIPTION	BY	DATE	CHK	DEPT	DATE	PE	REQ	DATE	ORNL	DOE	DATE
1	REVISED "T" PROFILE PER ECN-4903	GLL	9/04	MJC			DEW					

REV	DESCRIPTION	BY	DATE	CHK	DEPT	DATE	PE	REQ	DATE	ORNL	DOE	DATE
1	REVISED "T" PROFILE PER ECN-4903	GLL	9/04	MJC			DEW					

REV	DESCRIPTION	BY	DATE	CHK	DEPT	DATE	PE	REQ	DATE	ORNL	DOE	DATE
1	REVISED "T" PROFILE PER ECN-4903	GLL	9/04	MJC			DEW					

REV	DESCRIPTION	BY	DATE	CHK	DEPT	DATE	PE	REQ	DATE	ORNL	DOE	DATE
1	REVISED "T" PROFILE PER ECN-4903	GLL	9/04	MJC			DEW					

REV	DESCRIPTION	BY	DATE	CHK	DEPT	DATE	PE	REQ	DATE	ORNL	DOE	DATE
1	REVISED "T" PROFILE PER ECN-4903	GLL	9/04	MJC			DEW					

REV	DESCRIPTION	BY	DATE	CHK	DEPT	DATE	PE	REQ	DATE	ORNL	DOE	DATE
1	REVISED "T" PROFILE PER ECN-4903	GLL	9/04	MJC			DEW					

REV	DESCRIPTION	BY	DATE	CHK	DEPT	DATE	PE	REQ	DATE	ORNL	DOE	DATE
1	REVISED "T" PROFILE PER ECN-4903	GLL	9/04	MJC			DEW					

REV	DESCRIPTION	BY	DATE	CHK	DEPT	DATE	PE	REQ	DATE	ORNL	DOE	DATE
1	REVISED "T" PROFILE PER ECN-4903	GLL	9/04	MJC			DEW					

REV	DESCRIPTION	BY	DATE	CHK	DEPT	DATE	PE	REQ	DATE	ORNL	DOE	DATE
1	REVISED "T" PROFILE PER ECN-4903	GLL	9/04	MJC			DEW					

REV	DESCRIPTION	BY	DATE	CHK	DEPT	DATE	PE	REQ	DATE	ORNL	DOE	DATE
1	REVISED "T" PROFILE PER ECN-4903	GLL	9/04	MJC			DEW					

REV	DESCRIPTION	BY	DATE	CHK	DEPT	DATE	PE	REQ	DATE	ORNL	DOE	DATE
1	REVISED "T" PROFILE PER ECN-4903	GLL	9/04	MJC			DEW					

REV	DESCRIPTION	BY	DATE	CHK	DEPT	DATE	PE	REQ	DATE	ORNL	DOE	DATE
1	REVISED "T" PROFILE PER ECN-4903	GLL	9/04	MJC			DEW					

REV	DESCRIPTION	BY	DATE	CHK	DEPT	DATE	PE	REQ	DATE	ORNL	DOE	DATE
1	REVISED "T" PROFILE PER ECN-4903	GLL	9/04	MJC			DEW					

REV	DESCRIPTION	BY	DATE	CHK	DEPT	DATE	PE	REQ	DATE	ORNL	DOE	DATE
1	REVISED "T" PROFILE PER ECN-4903	GLL	9/04	MJC			DEW					

REV	DESCRIPTION	BY	DATE	CHK	DEPT	DATE	PE	REQ	DATE	ORNL	DOE	DATE
1	REVISED "T" PROFILE PER ECN-4903	GLL	9/04	MJC			DEW					

REV	DESCRIPTION	BY	DATE	CHK	DEPT	DATE	PE	REQ	DATE	ORNL	DOE	DATE
1	REVISED "T" PROFILE PER ECN-4903	GLL	9/04	MJC			DEW					

REV	DESCRIPTION	BY	DATE	CHK	DEPT	DATE	PE	REQ	DATE	ORNL	DOE	DATE
1	REVISED "T" PROFILE PER ECN-4903	GLL	9/04	MJC			DEW					

REV	DESCRIPTION	BY	DATE	CHK	DEPT	DATE	PE	REQ	DATE	ORNL	DOE	DATE
1	REVISED "T" PROFILE PER ECN-4903	GLL	9/04	MJC			DEW					

REV	DESCRIPTION	BY	DATE	CHK	DEPT	DATE	PE	REQ	DATE	ORNL	DOE	DATE
1	REVISED "T" PROFILE PER ECN-4903	GLL	9/04	MJC			DEW					

REV	DESCRIPTION	BY	DATE	CHK	DEPT	DATE	PE	REQ	DATE	ORNL	DOE	DATE
1	REVISED "T" PROFILE PER ECN-4903	GLL	9/04	MJC			DEW					

REV	DESCRIPTION	BY	DATE	CHK	DEPT	DATE	PE	REQ	DATE	ORNL	DOE	DATE
1	REVISED "T" PROFILE PER ECN-4903	GLL	9/04	MJC			DEW					

REV	DESCRIPTION	BY	DATE	CHK	DEPT	DATE	PE	REQ	DATE	ORNL	DOE	DATE
1	REVISED "T" PROFILE PER ECN-4903	GLL	9/04	MJC			DEW					

REV	DESCRIPTION	BY	DATE	CHK	DEPT	DATE	PE	REQ	DATE	ORNL	DOE	DATE
1	REVISED "T" PROFILE PER ECN-4903	GLL	9/04	MJC			DEW					

REV	DESCRIPTION	BY	DATE	CHK	DEPT	DATE	PE	REQ	DATE	ORNL	DOE	DATE
1	REVISED "T" PROFILE PER ECN-4903	GLL	9/04	MJC			DEW					

REV	DESCRIPTION	BY	DATE	CHK	DEPT	DATE	PE	REQ	DATE	ORNL	DOE	DATE
1	REVISED "T" PROFILE PER ECN-4903	GLL	9/04	MJC			DEW					

REV	DESCRIPTION	BY	DATE	CHK	DEPT	DATE	PE	REQ	DATE	ORNL	DOE	DATE
1	REVISED "T" PROFILE PER ECN-4903	GLL	9/04	MJC			DEW					

REV	DESCRIPTION	BY	DATE	CHK	DEPT	DATE	PE	REQ	DATE	ORNL	DOE	DATE
1	REVISED "T" PROFILE PER ECN-4903	GLL	9/04	MJC			DEW					

REV	DESCRIPTION	BY	DATE	CHK	DEPT	DATE	PE	REQ	DATE	ORNL	DOE	DATE
1	REVISED "T" PROFILE PER ECN-4903	GLL	9/04	MJC			DEW					

REV	DESCRIPTION	BY	DATE	CHK	DEPT	DATE	PE	REQ	DATE	ORNL	DOE	DATE
1	REVISED "T" PROFILE PER ECN-4903	GLL	9/04	MJC			DEW					

REV	DESCRIPTION	BY	DATE	CHK	DEPT	DATE	PE	REQ	DATE	ORNL	DOE	DATE
1	REVISED "T" PROFILE PER ECN-4903	GLL	9/04	MJC			DEW					

REV	DESCRIPTION	BY	DATE	CHK	DEPT	DATE	PE	REQ	DATE	ORNL	DOE	DATE
1	REVISED "T" PROFILE PER ECN-4903	GLL	9/04	MJC			DEW					

REV	DESCRIPTION	BY	DATE	CHK	DEPT	DATE	PE	REQ	DATE	ORNL	DOE	DATE
1	REVISED "T" PROFILE PER ECN-4903	GLL	9/04	MJC			DEW					

REV	DESCRIPTION	BY	DATE	CHK	DEPT	DATE	PE	REQ	DATE	ORNL	DOE	DATE
1	REVISED "T" PROFILE PER ECN-4903	GLL	9/04	MJC			DEW					

REV	DESCRIPTION	BY	DATE	CHK	DEPT	DATE	PE	REQ	DATE	ORNL	DOE	DATE
1	REVISED "T" PROFILE PER ECN-4903	GLL	9/04	MJC			DEW					

REV	DESCRIPTION	BY	DATE	CHK	DEPT	DATE	PE	REQ	DATE	ORNL	DOE	DATE
1	REVISED "T" PROFILE PER ECN-4903	GLL	9/04	MJC			DEW					

REV	DESCRIPTION	BY	DATE	CHK	DEPT	DATE	PE	REQ	DATE	ORNL	DOE	DATE
1	REVISED "T" PROFILE PER ECN-4903	GLL	9/04	MJC								