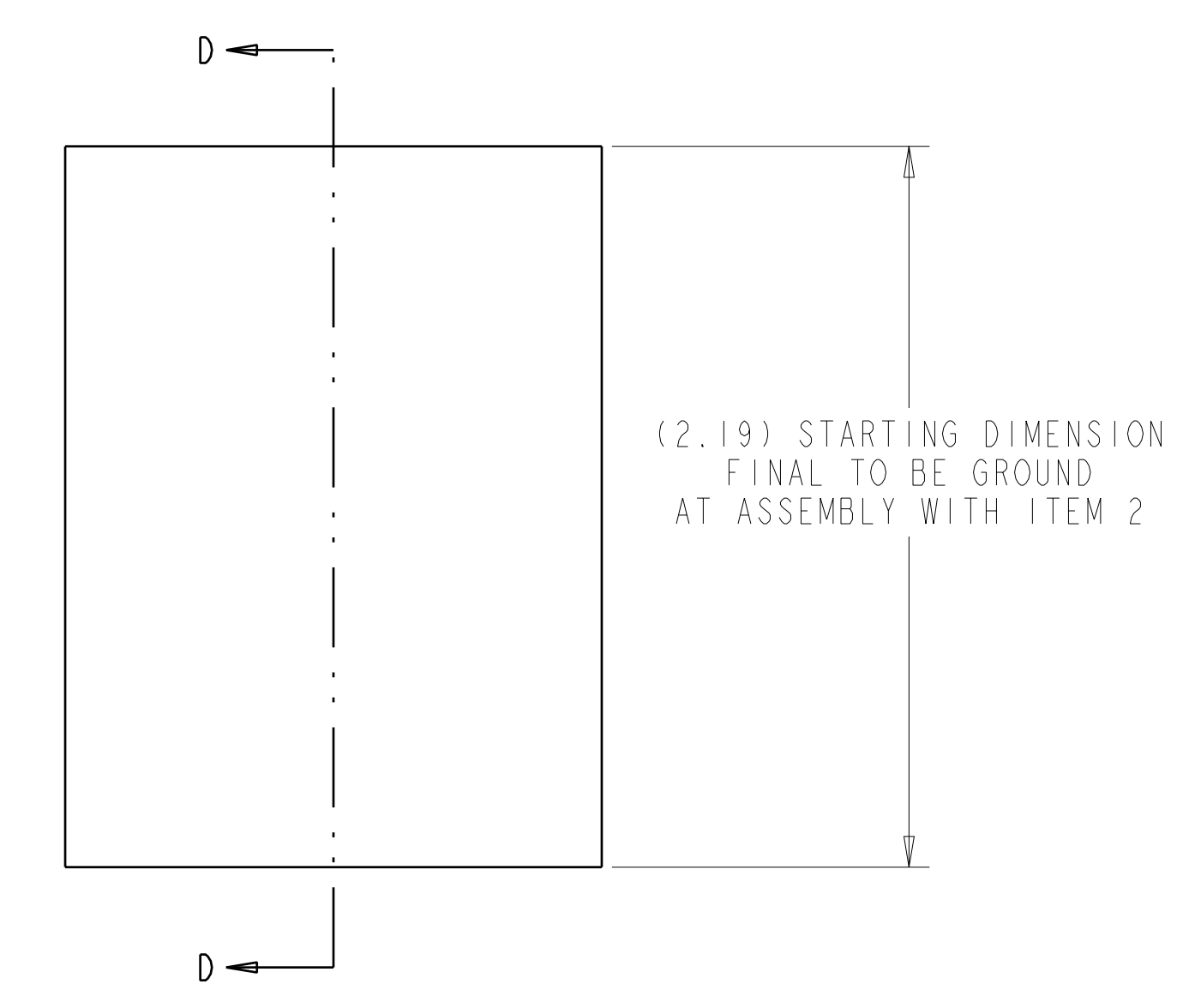
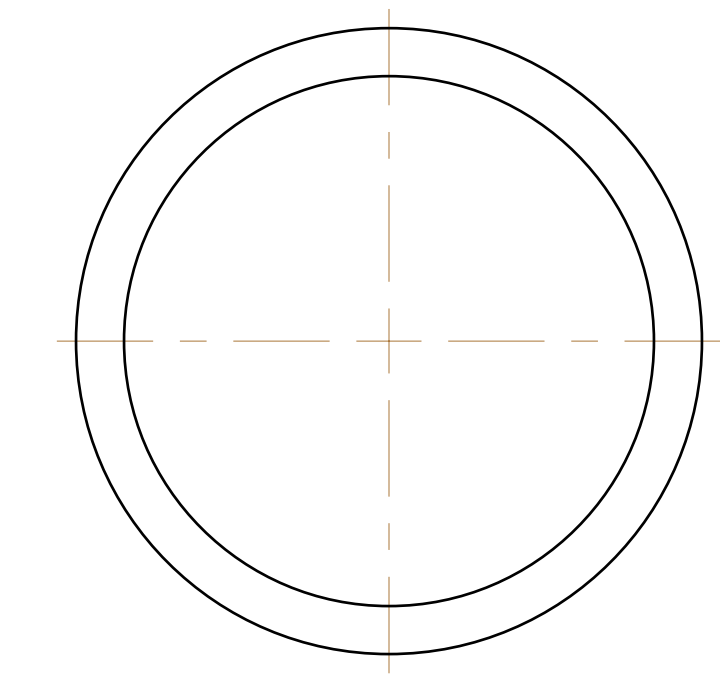
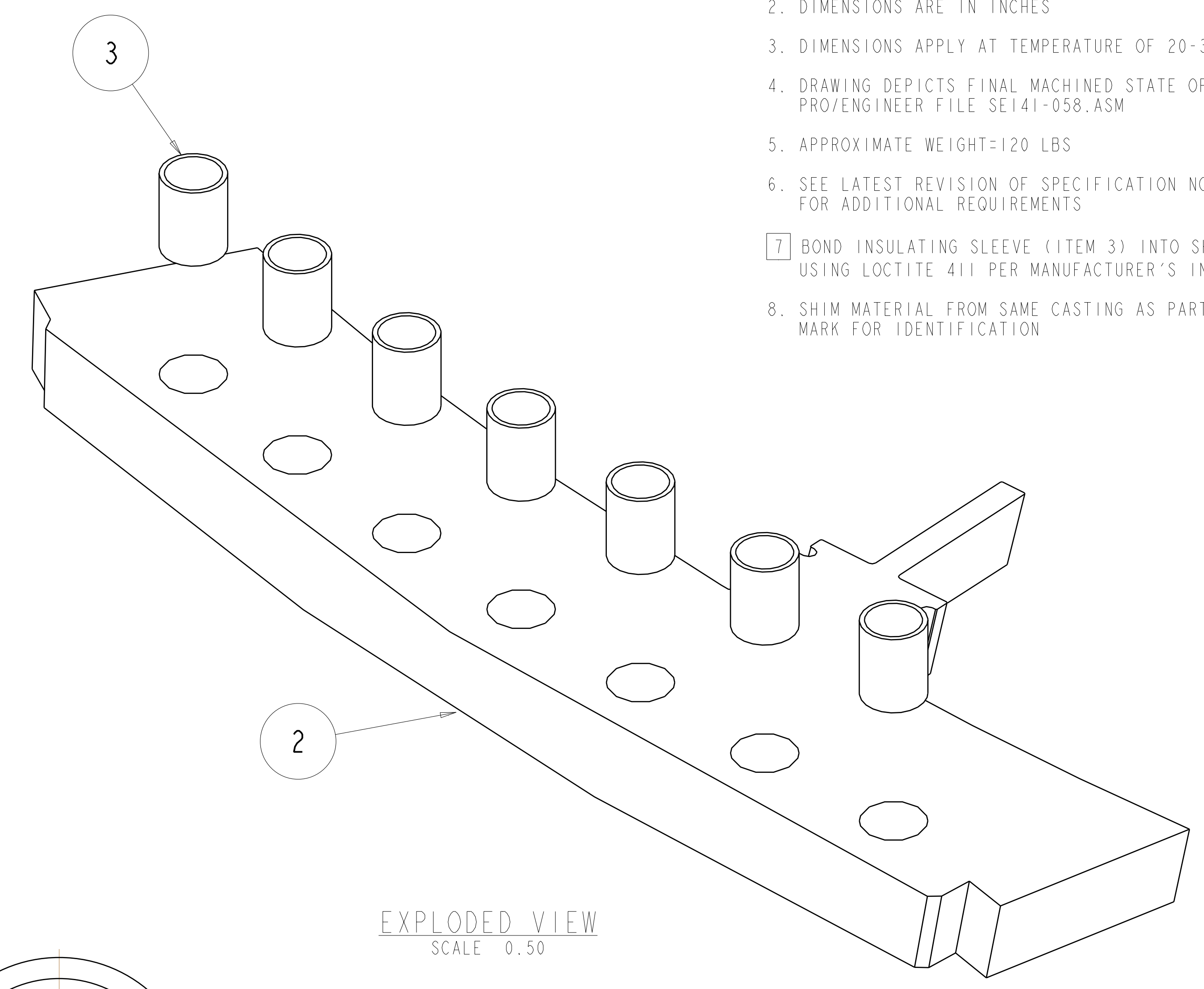
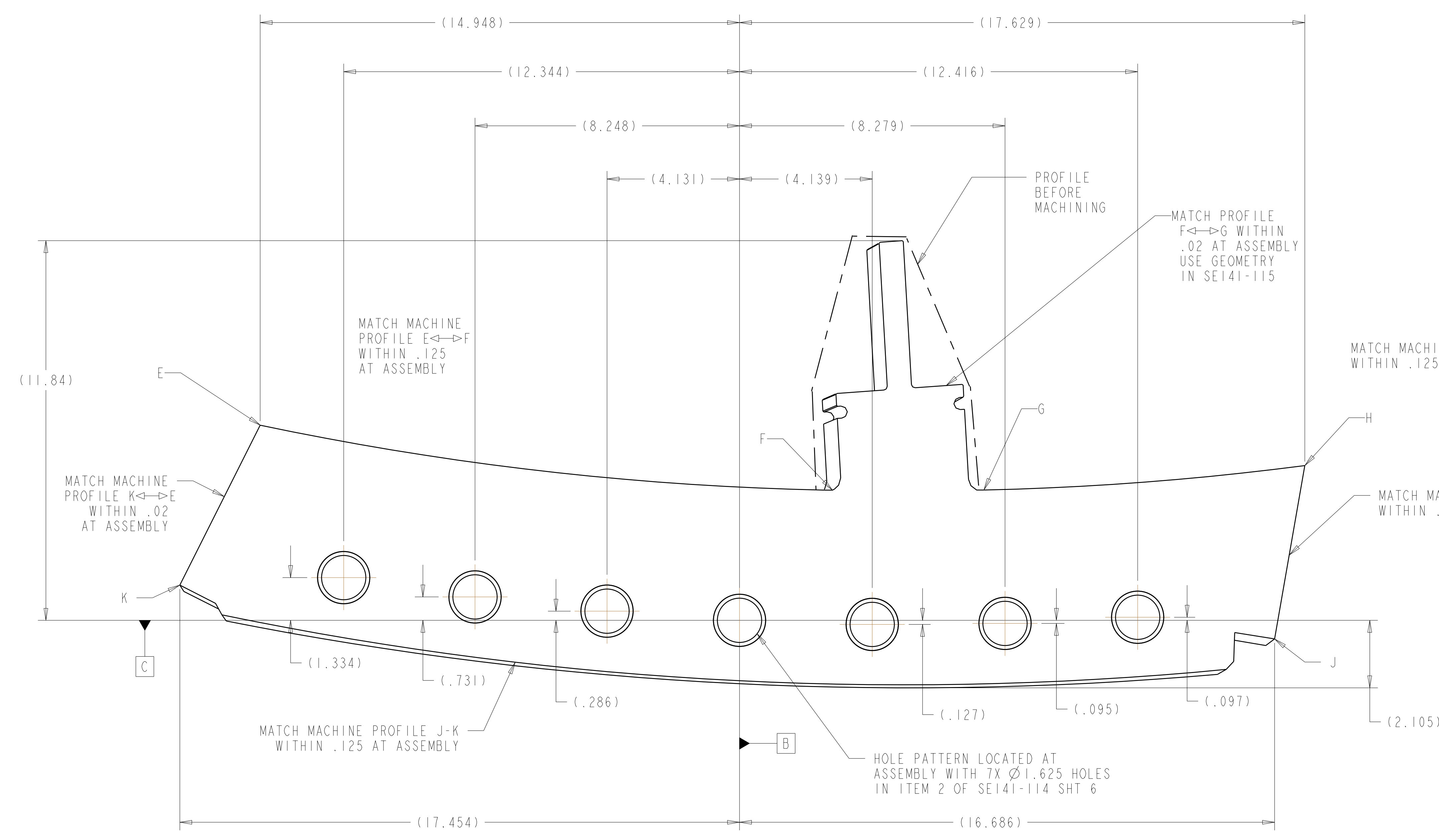
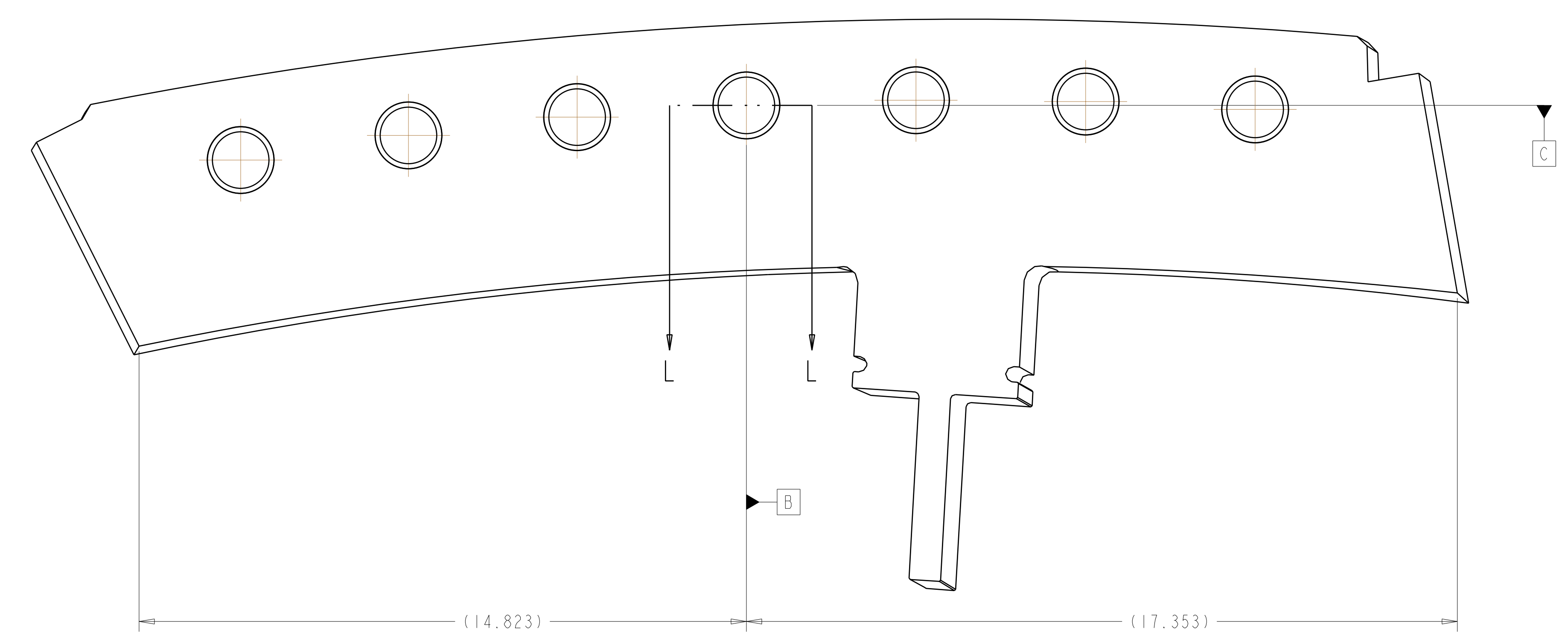
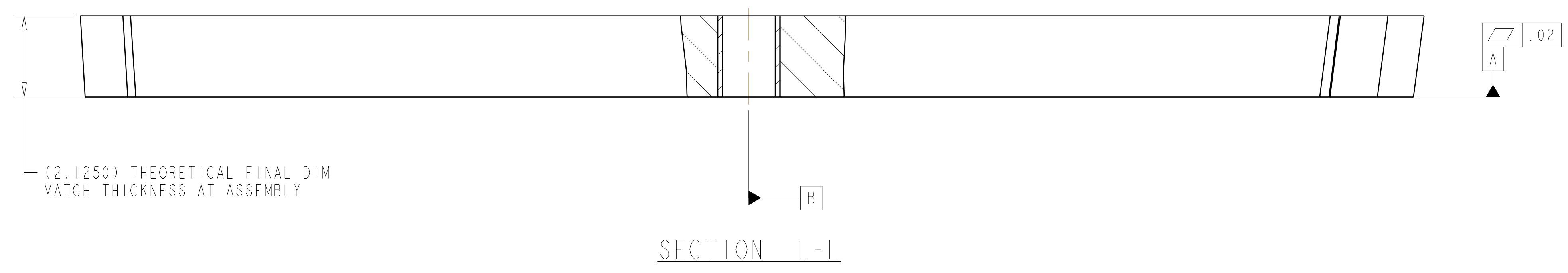


- NOTES:
1. INTERPRET DIMENSIONS AND TOLERANCES PER ANSI Y14.5M
 2. DIMENSIONS ARE IN INCHES
 3. DIMENSIONS APPLY AT TEMPERATURE OF 20-30°C (68-86°F)
 4. DRAWING DEPICTS FINAL MACHINED STATE OF ASSEMBLY DEFINED BY PRO/ENGINEER FILE SE141-058.ASM
 5. APPROXIMATE WEIGHT=120 LBS
 6. SEE LATEST REVISION OF SPECIFICATION NCSX-CSPEC-141-03 FOR ADDITIONAL REQUIREMENTS
 7. BOND INSULATING SLEEVE (ITEM 3) INTO SHIM (ITEM 2) USING LOCTITE 411 PER MANUFACTURER'S INSTRUCTIONS
 8. SHIM MATERIAL FROM SAME CASTING AS PART SE141-115; MARK FOR IDENTIFICATION



Ø 1.63 OD TO MATCH HOLE DIA MINUS .001 TO .002 FOR CLEARANCE FIT



REV	DESCRIPTION	BY	DATE	CHK	DEPT	PE	REG	DATE	ORNL	DOE	DATE
1	REVISED "T" PROFILE PER ECN-4903	GLL	9/04	MJC		DEW					

CAGE CODE	PART OR IDENTIFYING NO	NOMENCLATURE OR DESCRIPTION	MATERIAL	SPECIFICATION	FIND NO
7	-3	SHIM INSULATING SLEEVE ALL TYPES	GIICR	NEMA LI 1 - 1998	3
I	-2	POLOIDAL BREAK SHIM TYPE-B	NOTE 8	--	2
AR	X	-1	POL BREAK SHIM ASSEMBLY TYPE-B		
201-11435					

SCALE	NOTED	DES	DATE	DRW	DATE	CHK	DATE	SECT	DEPT	PE	DATE	REG	DATE	ORNL	DOE	DATE
		T BROWN	6-30-04	PAUL MILLER	6-30-04	M COLE	6-30-04			D WILLIAMSON	6-30-04					

UT-BATTELLE
 Oak Ridge National Laboratory
 managed for the DEPARTMENT OF ENERGY under
 U.S. GOVERNMENT contract DE-AC05-00OR22725
 UT-BATTELLE, LLC, Oak Ridge, Tennessee

NATIONAL COMPACT STELLARATOR EXPERIMENT

POL BREAK SHIM ASSEMBLY TYPE-B

VERSION NO.	PLANT	BLDG	FL	SHT OF	TYPE	CLASS
1+	X-10	5700	3	1	I S	U
RELEASE LEVEL	SE141-058					REV 1
WIP						

NO REPRESENTATION OR WARRANTY, EXPRESSED OR IMPLIED, IS MADE AS TO THE ACCURACY, COMPLETENESS OR USEFULNESS OF THE INFORMATION OR STATEMENTS CONTAINED IN THESE DRAWINGS, OR THAT THE USE OR DISCLOSURE OF ANY INFORMATION, APPARATUS, METHOD OR PROCESS DISCLOSED IN THESE DRAWINGS MAY NOT INFRINGE PRIVATE RIGHTS OF OTHERS. NO LIABILITY IS ASSUMED WITH RESPECT TO THE USE OF, OR FOR DAMAGES RESULTING FROM THE USE OF, ANY INFORMATION, APPARATUS, METHOD OR PROCESS DISCLOSED IN THESE DRAWINGS. DRAWINGS MADE AVAILABLE FOR INFORMATION TO BIDDER ARE NOT TO BE USED FOR OTHER PURPOSES, AND ARE TO BE RETURNED UPON REQUEST OF THE FORWARDING CONTRACTOR.

P THIS DRAWING PRODUCED ON PRO-ENGINEER

REV	DESCRIPTION	BY	DATE	CHK	DEPT	PE	REG	DATE	ORNL	DOE	DATE
1	REVISED "T" PROFILE PER ECN-4903	GLL	9/04	MJC		DEW					

SCALE	NOTED	DES	DATE	DRW	DATE	CHK	DATE	SECT	DEPT	PE	DATE	REG	DATE	ORNL	DOE	DATE
		T BROWN	6-30-04	PAUL MILLER	6-30-04	M COLE	6-30-04			D WILLIAMSON	6-30-04					

H
G
F
E
D
C
B
A