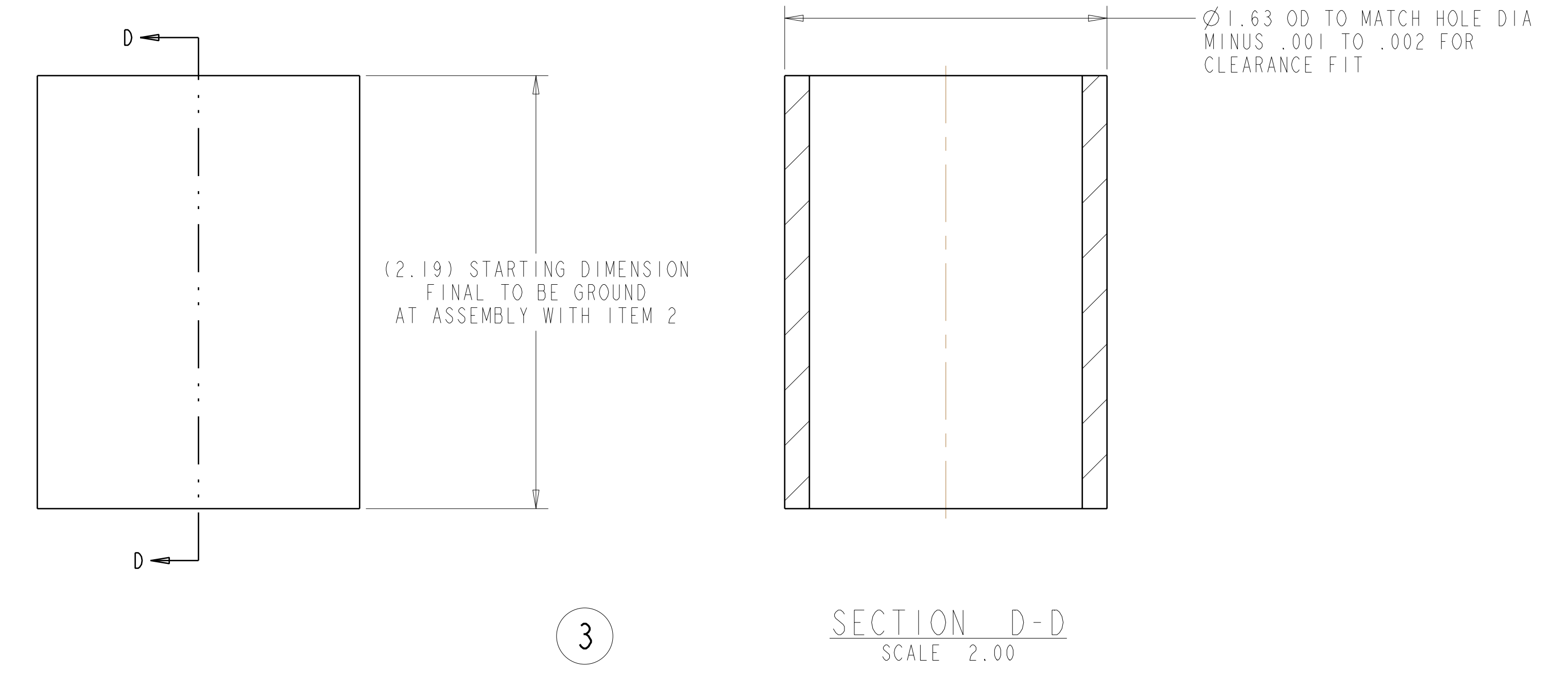
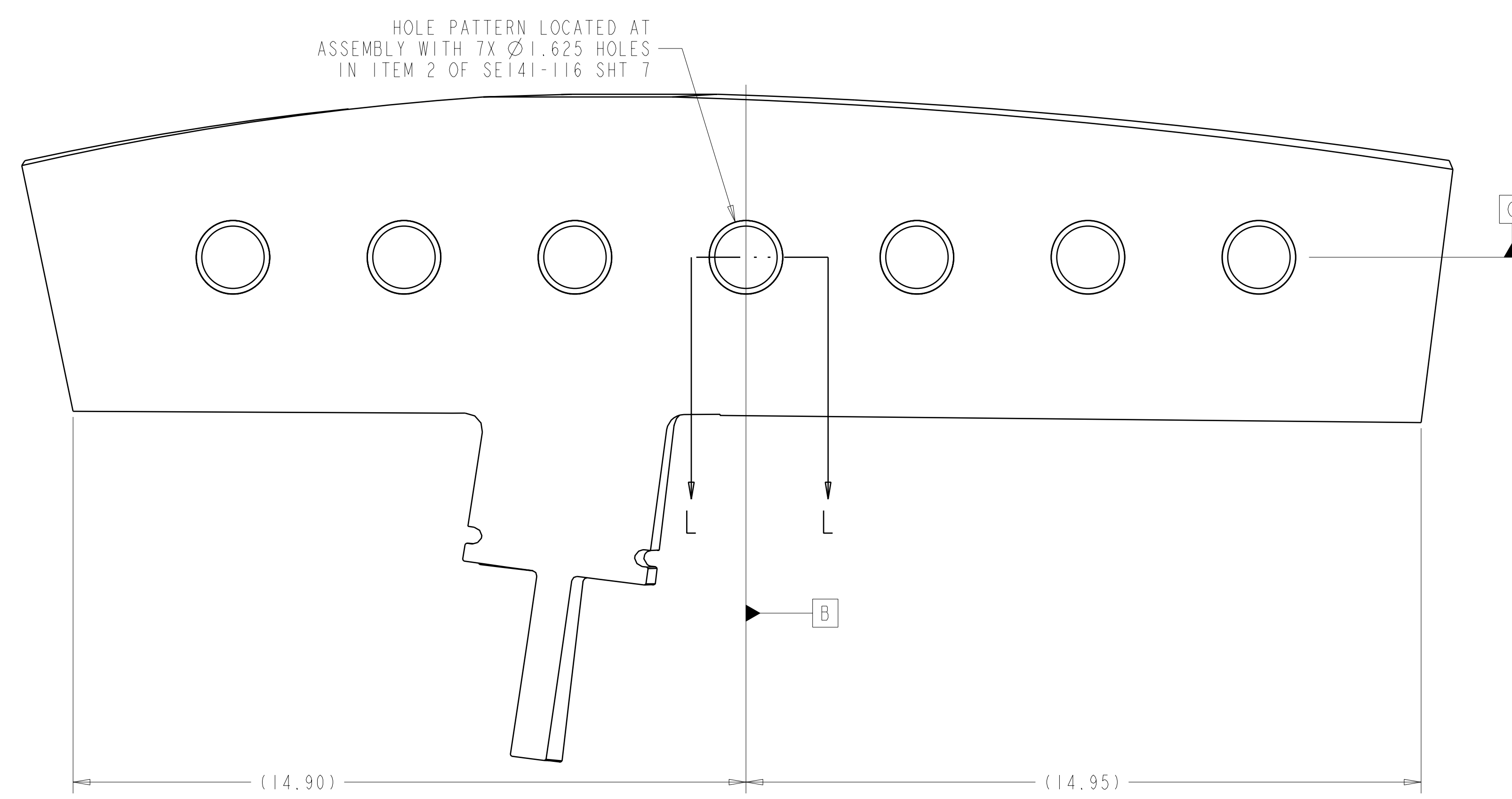
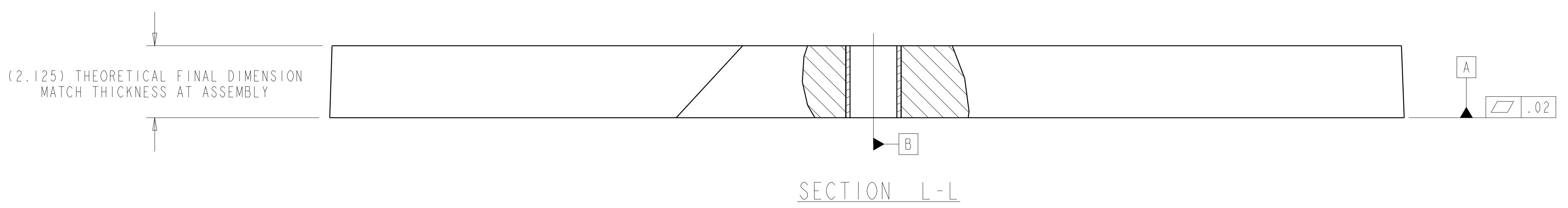
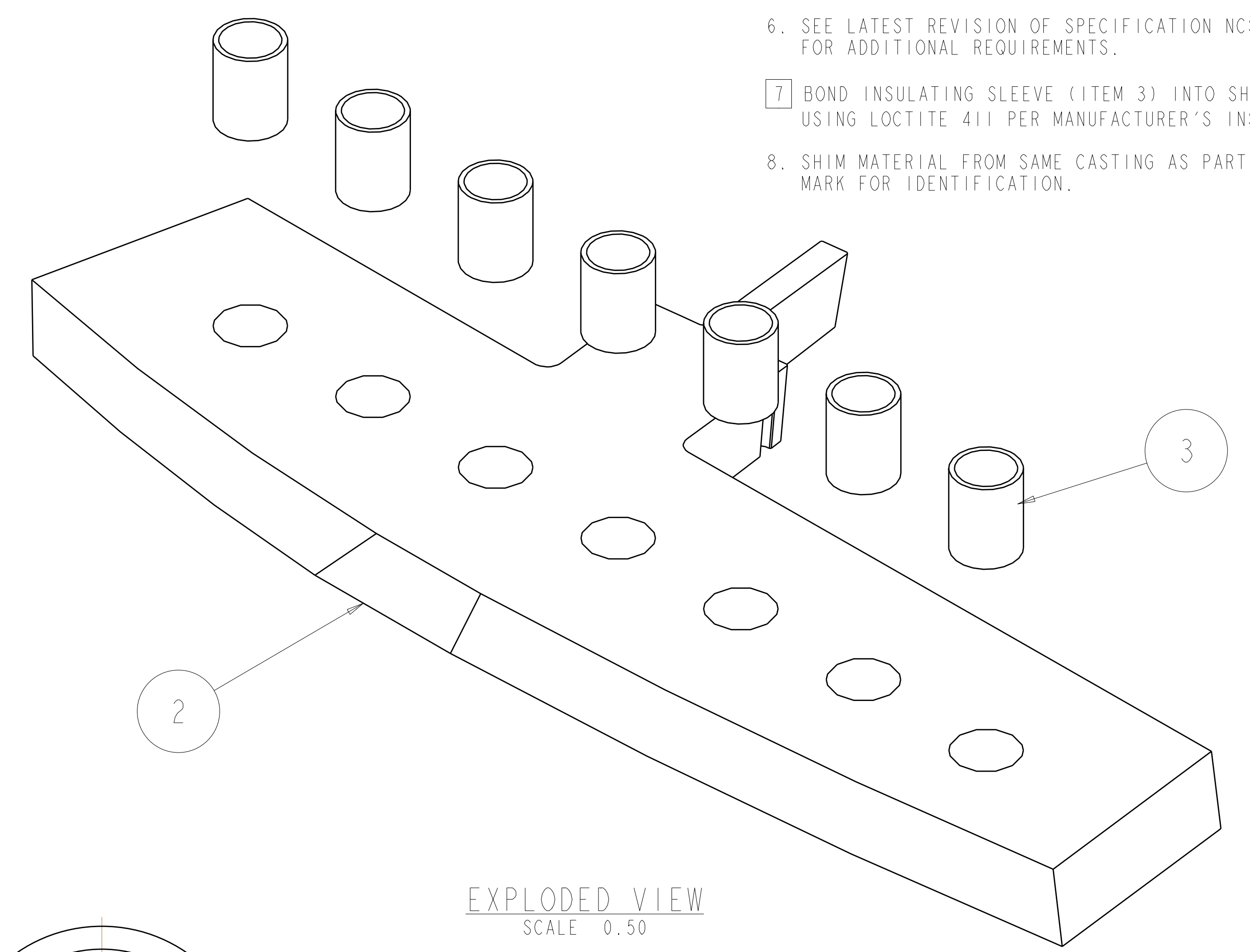
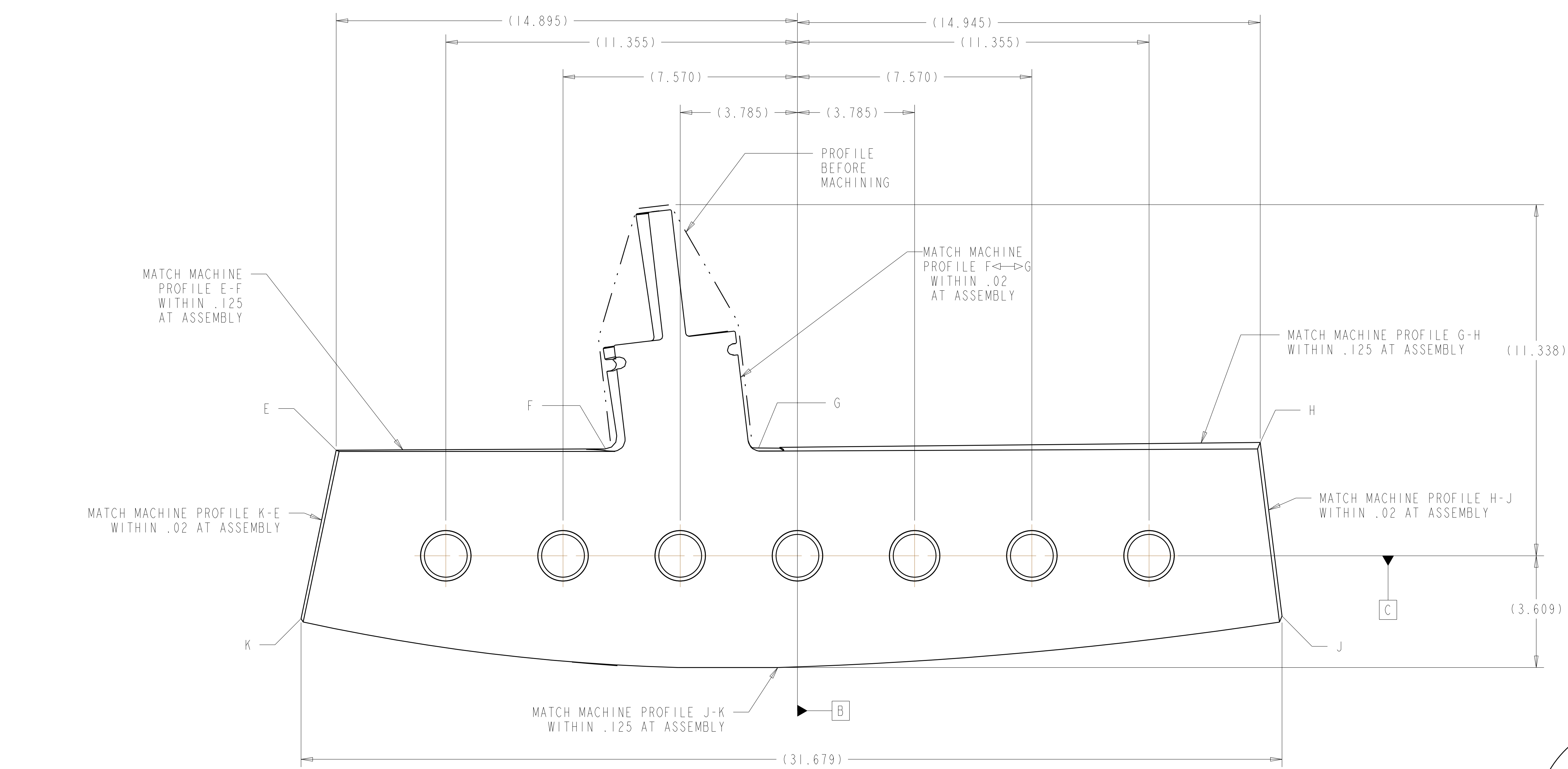


- NOTES:
1. INTERPRET DIMENSIONS AND TOLERANCES PER ANSI Y14.5M.
 2. DIMENSIONS ARE IN INCHES.
 3. DIMENSIONS APPLY AT TEMPERATURE OF 20-30°C (68-86°F).
 4. DRAWING DEPICTS FINAL MACHINED STATE OF ASSEMBLY DEFINED BY PRO/ENGINEER FILE SE141-078.ASM.
 5. APPROXIMATE WEIGHT = 129 LBS.
 6. SEE LATEST REVISION OF SPECIFICATION NCSX-CSPEC-141-03 FOR ADDITIONAL REQUIREMENTS.
 7. BOND INSULATING SLEEVE (ITEM 3) INTO SHIM (ITEM 2) USING LOCTITE 411 PER MANUFACTURER'S INSTRUCTIONS.
 8. SHIM MATERIAL FROM SAME CASTING AS PART SE141-116. MARK FOR IDENTIFICATION.



REV	DESCRIPTION	BY	DATE	CHK	DEPT	DATE	PE	REG	DATE	ORNL	DOE	DATE
1	REVISED "T" PROFILE PER ECN-4903	GLL	9/04	MJC			DEW					

7	-3	SHIM INSULATING SLEEVE ALL TYPES	GIICR	NEMA LI 1 - 1998	3
I	-2	POLOIDAL BREAK SHIM TYPE-C	NOTE 8	--	2
AR	X	-1	POL BREAK SHIM ASSEMBLY TYPE-C		
SE141-103					

NO REPRESENTATION OR WARRANTY, EXPRESSED OR IMPLIED, IS MADE AS TO THE ACCURACY, COMPLETENESS OR USEFULNESS OF THE INFORMATION OR STATEMENTS CONTAINED IN THESE DRAWINGS, OR THAT THE USE OR DISCLOSURE OF ANY INFORMATION, APPARATUS, METHOD OR PROCESS DISCLOSED IN THESE DRAWINGS MAY NOT INFRINGE PRIVATE RIGHTS OF OTHERS. NO LIABILITY IS ASSUMED WITH RESPECT TO THE USE OF, OR FOR DAMAGES RESULTING FROM THE USE OF, ANY INFORMATION, APPARATUS, METHOD OR PROCESS DISCLOSED IN THESE DRAWINGS. DRAWINGS MADE AVAILABLE FOR INFORMATION TO BIDDER ARE NOT TO BE USED FOR OTHER PURPOSES, AND ARE TO BE RETURNED UPON REQUEST OF THE FORWARDING CONTRACTOR.

P THIS DRAWING PRODUCED ON PRO-ENGINEER

SCALE NOTED	DES: P MILLER 6-30-04	UT-BATTELLE Oak Ridge National Laboratory managed for the DEPARTMENT OF ENERGY under U.S. GOVERNMENT contract DE-AC05-00OR22725 UT-BATTELLE, LLC, Oak Ridge, Tennessee PROJECT NAME:																			
TOLERANCES UNLESS OTHERWISE SPECIFIED	DRW: P MILLER 6-30-04																				
FRACTIONS	CHK: M COLE 6-30-04																				
XX DECIMALS ±.01	DEPT: :																				
XXX DECIMALS ±.005	PE: D WILLIAMSON 6-30-04	NATIONAL COMPACT STELLARATOR EXPERIMENT POL BREAK SHIM ASSEMBLY TYPE-C																			
ANGLES ±0°15'	CR: :																				
BREAK SHARP EDGES .06 MAX	PJ: :																				
FINISH .125 UNLESS OTHERWISE SPECIFIED	RED: :																				
REV	DESCRIPTION	BY	DATE	CHK	DEPT	DATE	PE	REG	DATE	ORNL	DOE	DATE	PPPL DRFT J SIEGEL 6-30-04	VERSION NO. 23+	PLANT X-10	BLDG 5700	FL 3	SHT OF 1	TYPE I	CLASS S	
REVISION OR ISSUE PURPOSE	REVISION APPROVAL													PPPL DRFT J SIEGEL 6-30-04	RELEASE LEVEL WIP						REV 0

H
G
F
E
D
C
B
A