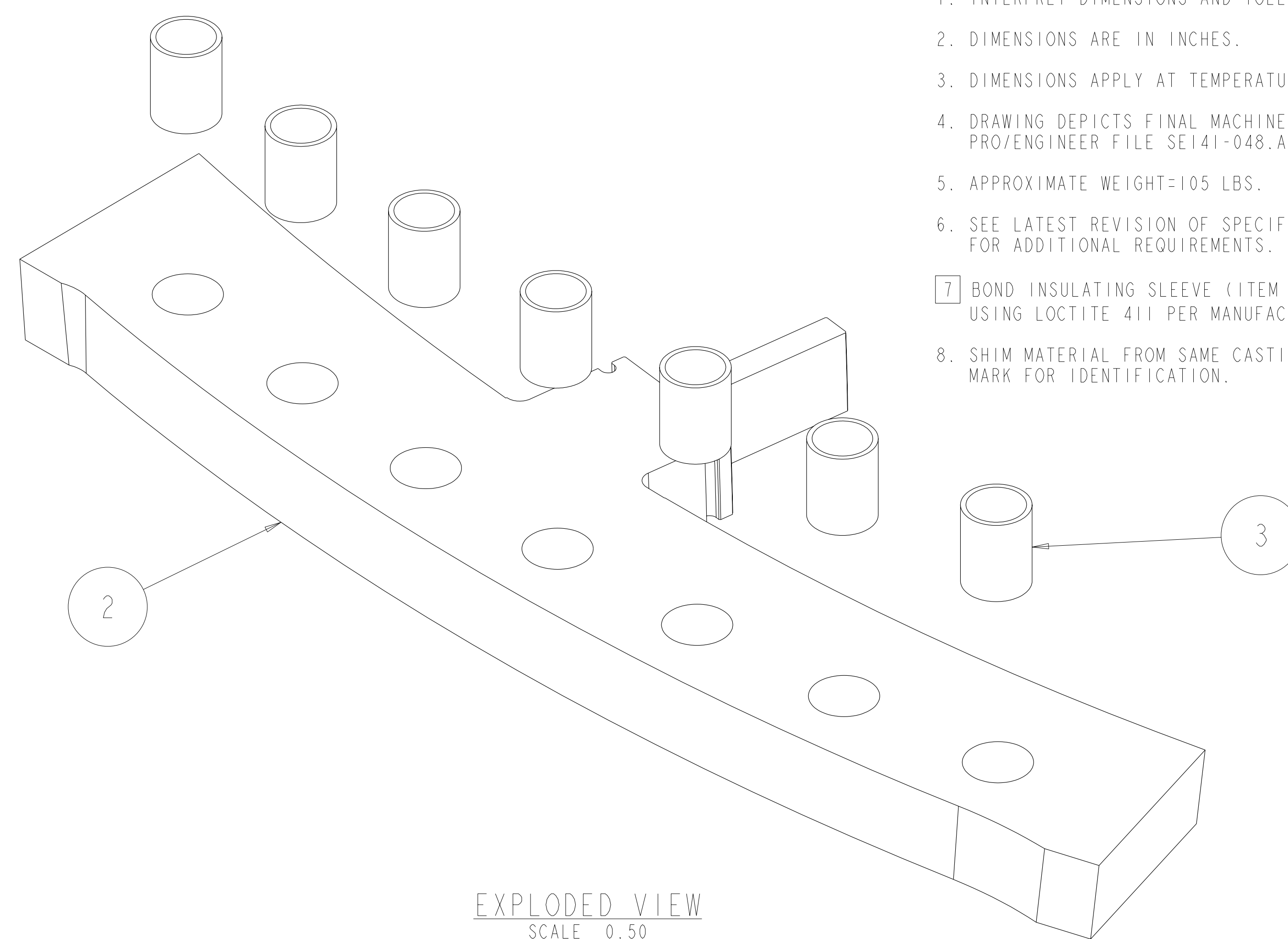
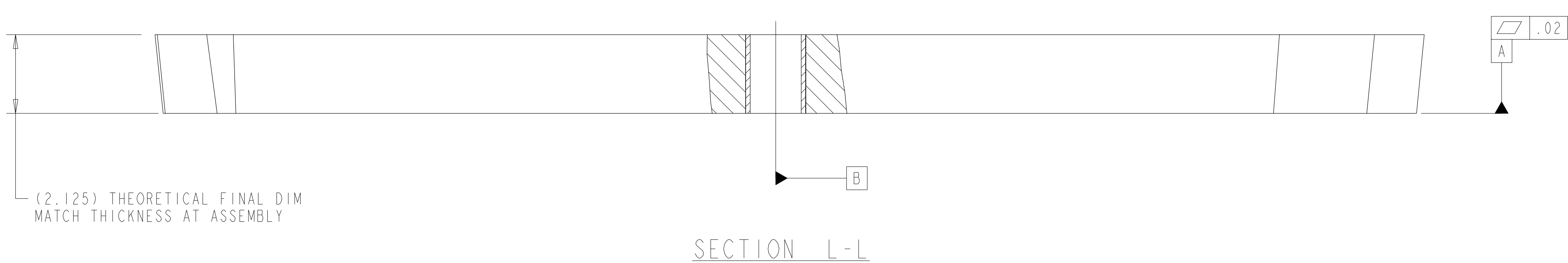


NOTES:

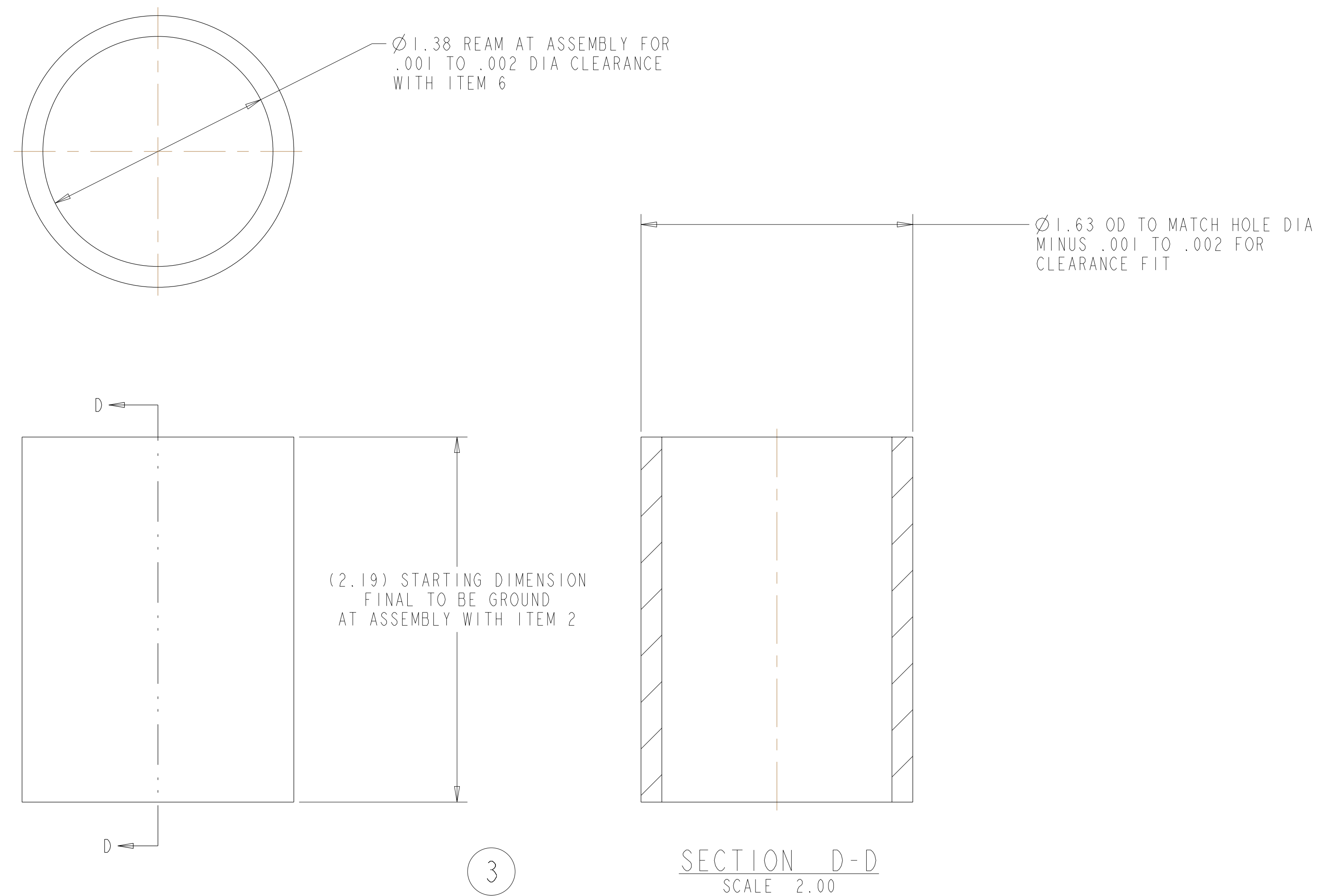
1. INTERPRET DIMENSIONS AND TOLERANCES PER ANSI Y14.5M.
2. DIMENSIONS ARE IN INCHES.
3. DIMENSIONS APPLY AT TEMPERATURE OF 20-30°C (68-86°F).
4. DRAWING DEPICTS FINAL MACHINED STATE OF ASSEMBLY DEFINED BY PRO/ENGINEER FILE SE141-048.ASM.
5. APPROXIMATE WEIGHT-105 LBS.
6. SEE LATEST REVISION OF SPECIFICATION NCSX-CSPEC-141-03 FOR ADDITIONAL REQUIREMENTS.
7. BOND INSULATING SLEEVE (ITEM 3) INTO SHIM (ITEM 2) USING LOCTITE 411 PER MANUFACTURER'S INSTRUCTIONS.
8. SHIM MATERIAL FROM SAME CASTING AS PART SE141-114. MARK FOR IDENTIFICATION.



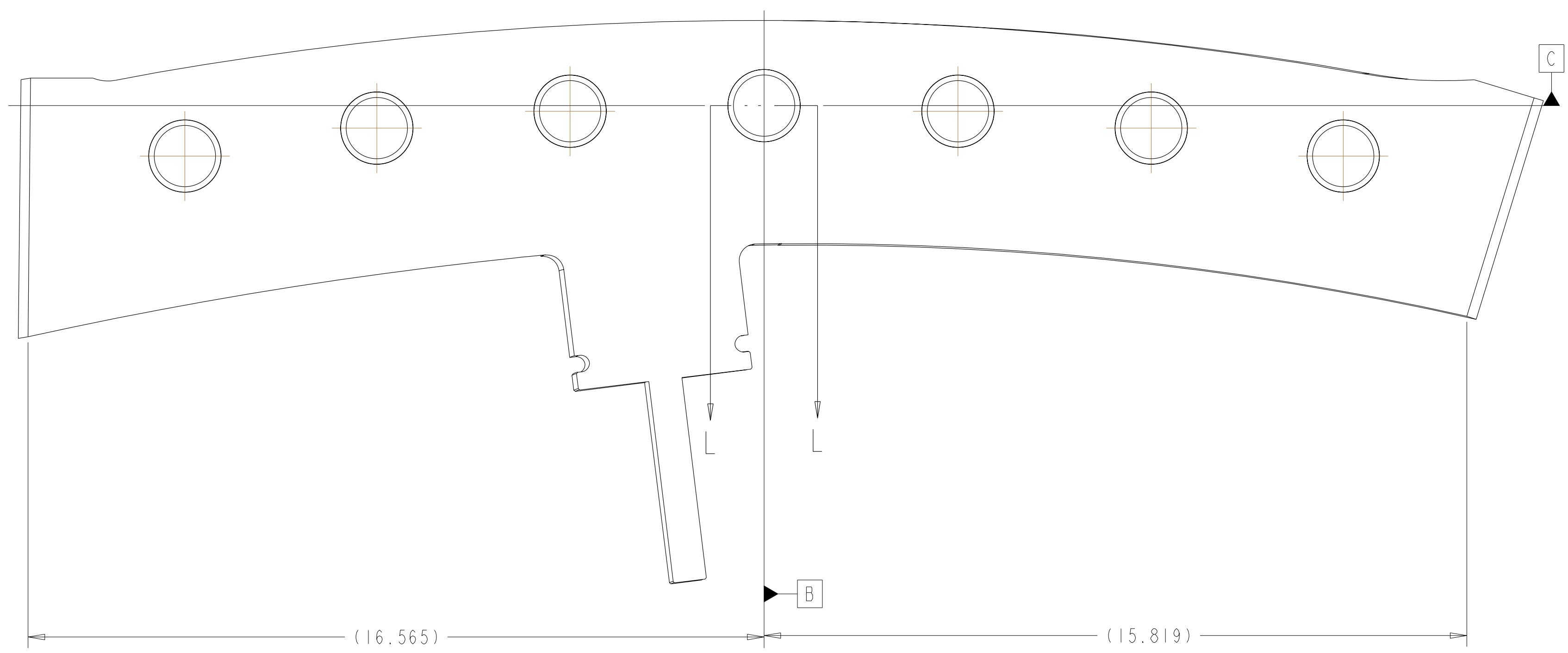
EXPLODED VIEW SCALE 0.50



SECTION L-L



SECTION D-D SCALE 2.00



I SCALE 0.50

REV	DESCRIPTION	BY	DATE	CHK	DEPT	DATE	PE	REQ	DATE	ORNL	DOE	DATE
1	REVISED "T" PROFILE PER ECN-4903	GLL	9/04	MJC			DEW					

7	-3	SHIM INSULATING SLEEVE ALL TYPES	GIICR	NEMA LI 1 - 1998	3	
I	-2	POLOIDAL BREAK SHIM TYPE-A	NOTE 8	--	2	
AR	X	-1	POL BREAK SHIM ASSEMBLY TYPE-A			
SEMI-101	CAGE CODE	PART OR IDENTIFYING NO	NOMENCLATURE OR DESCRIPTION	MATERIAL	SPECIFICATION	FIND NO
-						

← NEXT ASSEMBLY

Oak Ridge National Laboratory  
managed for the DEPARTMENT OF ENERGY under  
U.S. GOVERNMENT CONTRACT DE-AC05-00OR22725  
UT-BATTELLE, LLC. Oak Ridge, Tennessee  
PROJECT NAME: NATIONAL COMPACT STELLARATOR EXPERIMENT

POL BREAK SHIM ASSEMBLY TYPE-A

SCALE NOTED	DES: G LOVETT 6-30-04	DRW: P MILLER 6-30-04	CHK: M COLE 6-30-04	SECT: : DEPT: : PE: D WILLIAMSON 6-30-04	CR: : PJ: : REQ: :	PPPL DRFT J SIEGEL 6-30-04	VERSION NO. 0	PLANT X-10	BLDG 5700	FL 3	SHT OF 1	TYPE 1	CLASS S
TOLERANCES UNLESS OTHERWISE SPECIFIED:	FRACTIONS ± .01	XX DECIMALS ± .005	XXX DECIMALS ± .0015	ANGLES ± 0°15'	FINISH .125 UNLESS OTHERWISE SPECIFIED	RELEASE LEVEL Fabrication	SE141-048						

NO REPRESENTATION OR WARRANTY, EXPRESSED OR IMPLIED, IS MADE AS TO THE ACCURACY, COMPLETENESS OR USEFULNESS OF THE INFORMATION OR STATEMENTS CONTAINED IN THESE DRAWINGS, OR THAT THE USE OR DISCLOSURE OF ANY INFORMATION, APPARATUS, METHOD OR PROCESS DISCLOSED IN THESE DRAWINGS MAY NOT INFRINGE PRIVATE RIGHTS OF OTHERS. NO LIABILITY IS ASSUMED WITH RESPECT TO THE USE OF, OR FOR DAMAGES RESULTING FROM THE USE OF, ANY INFORMATION, APPARATUS, METHOD OR PROCESS DISCLOSED IN THESE DRAWINGS. DRAWINGS MADE AVAILABLE FOR INFORMATION TO BIDDER ARE NOT TO BE USED FOR OTHER PURPOSES, AND ARE TO BE RETURNED UPON REQUEST OF THE FORWARDING CONTRACTOR.

**P** THIS DRAWING PRODUCED ON PRO-ENGINEER

H  
G  
F  
E  
D  
C  
B  
A

SE141-048