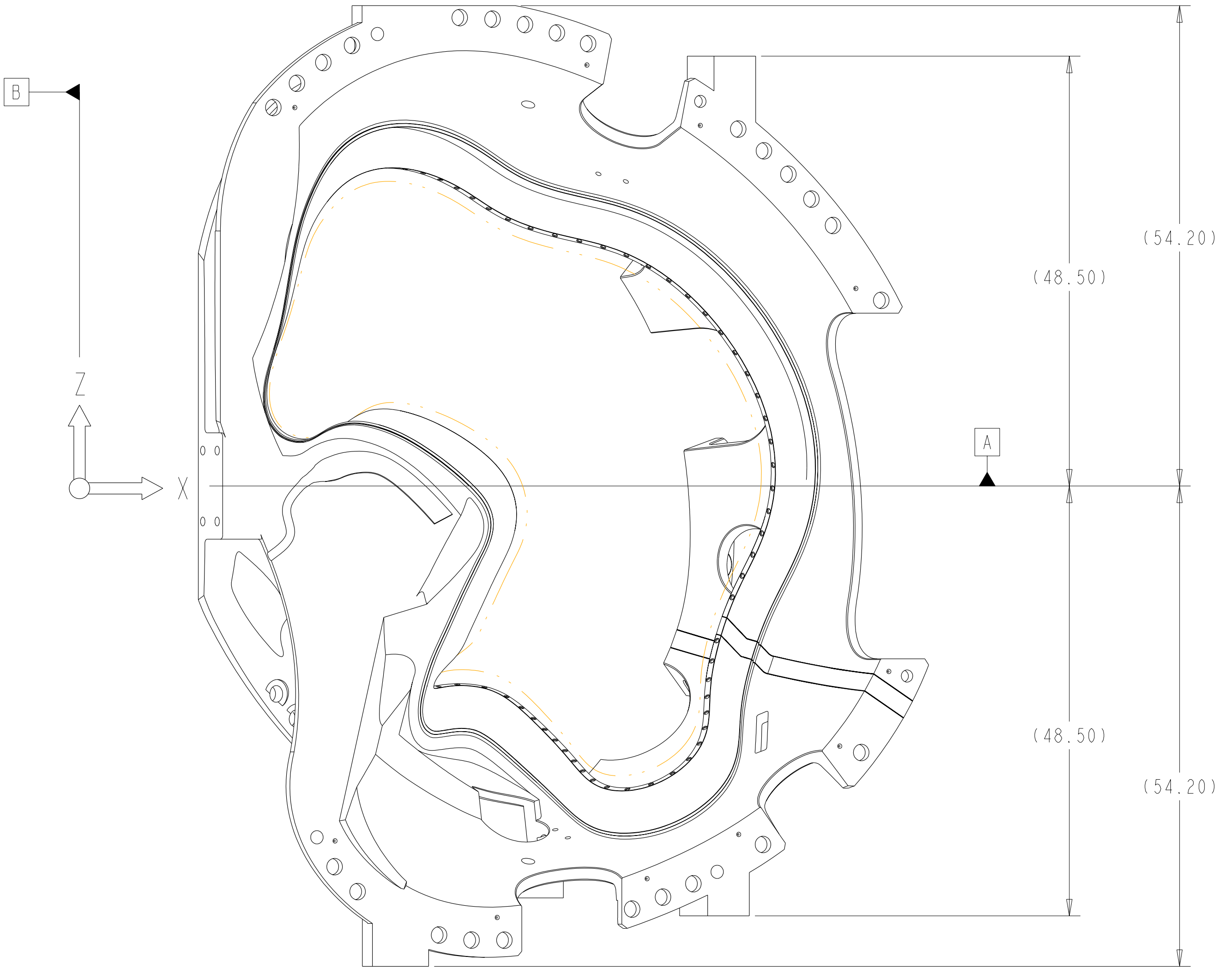
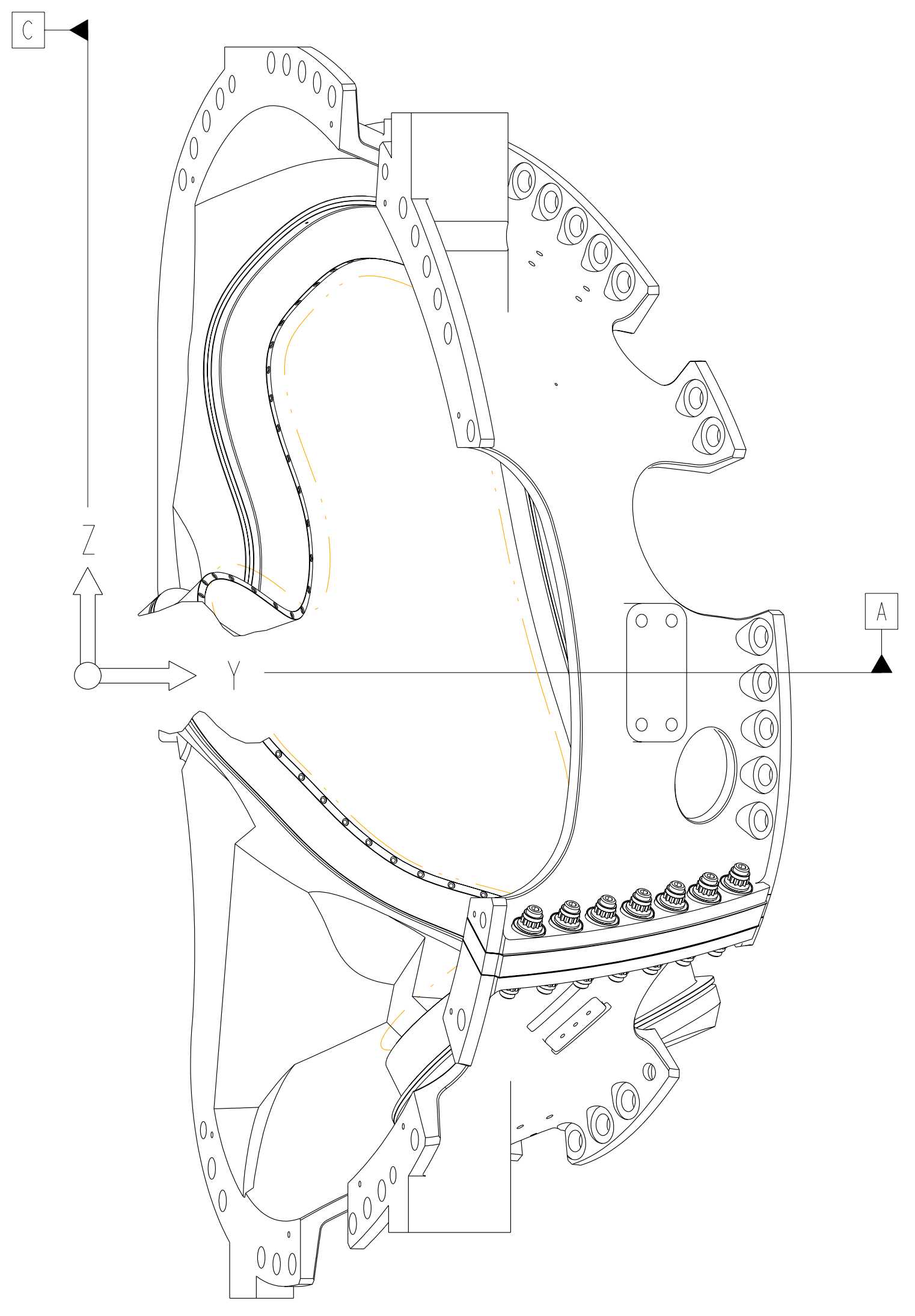


ISOMETRIC VIEW
 SCALE 0.10

- NOTES:
- DRAWING PREPARED IN ACCORDANCE WITH ASME Y14.8M-1996
 - INTERPRET DIMENSIONS AND TOLERANCES PER ANSI Y14.5M-1994
 - DIMENSIONS ARE IN INCHES
 - DRAWING DEPICTS FINAL MACHINED STATE OF PART DEFINED BY PRO/ENGINEER FILE SE141-102.ASM
 - UNLESS OTHERWISE SPECIFIED, DIMENSIONS ARE RELATED TO DATUM A- (PRIMARY X-Y PLANE, TOP)
 DATUM B- (SECONDARY Y-Z PLANE, SIDE)
 DATUM C- (TERTIARY X-Z PLANE, FRONT)
 - DIMENSIONS APPLY AT TEMPERATURE OF 20-30°C (68-86°F)
 - DIMENSIONS AND TOLERANCES EXCLUDE PROCESS MATERIAL ALLOWANCES WHICH MAY ADD MASS
 - APPROXIMATE WEIGHT = 4950-LBS
 - MATCH DRILL OR REAM AS REQUIRED TO ACHIEVE RUNNING FIT BETWEEN PARTS AT ASSEMBLY
 - LUBRICATE THREADED SURFACES WITH MOLYCOTE 321R PER MANUFACTURER'S INSTRUCTIONS
 - SEE LATEST REVISION OF SPECIFICATION NCSX-CSPEC-141-03 FOR ADDITIONAL REQUIREMENTS
 - BOND INSULATING SLEEVE (F/N 5) INTO WINDING FORM (F/N 2) USING LOCTITE 411 PER MANUFACTURER'S INSTRUCTIONS



SCALE 0.10



REV	DESCRIPTION	BY	DATE	CHK	DEPT	DATE	PE	REQ	DATE	ORNL	DOE	DATE
1	REVISED F/N 2 PER ECN-4903	DW	9/04	MJC			DEW					
REV	REVISION OR ISSUE PURPOSE						REVISION APPROVAL					

CAGE CODE	PART OR IDENTIFYING NO	NOMENCLATURE OR DESCRIPTION	MATERIAL	SPECIFICATION	FIND NO
14	DS141-079	FLAT WASHER			9
14	DS141-060	NUT, 12PT HEX 1.375-6UNC-2B			8
14	DS141-038	INSULATING WASHER			7
7	DS141-036	STUD, 1.375-6UNC-2A X 9 LG			6
14	-5	MCWF INSULATING SLEEVE TYPE-B	G11CR	NEMA LI 1 - 1998	5
2	-4	INSULATING SHEET TYPE-B	G11CR	--	4
1	SE141-058	POL BREAK SHIM ASSEMBLY TYPE-B			3
1	SE141-115	PRODUCTION WINDING FORM TYPE-B			2
AR	X	-1	MOD COIL WINDING FORM ASSEMBLY TYPE-B		
SE141-102					

← NEXT ASSEMBLY

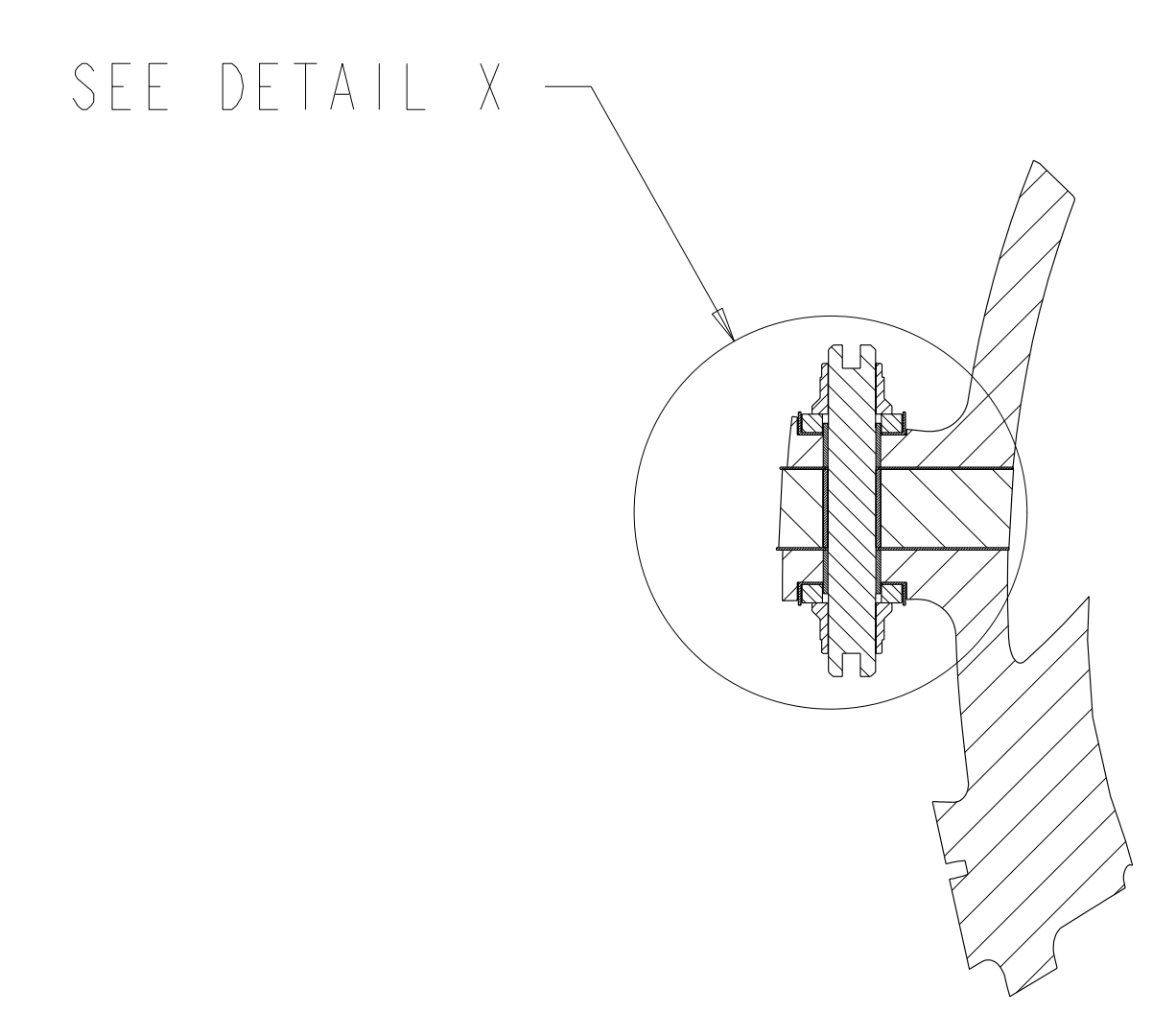
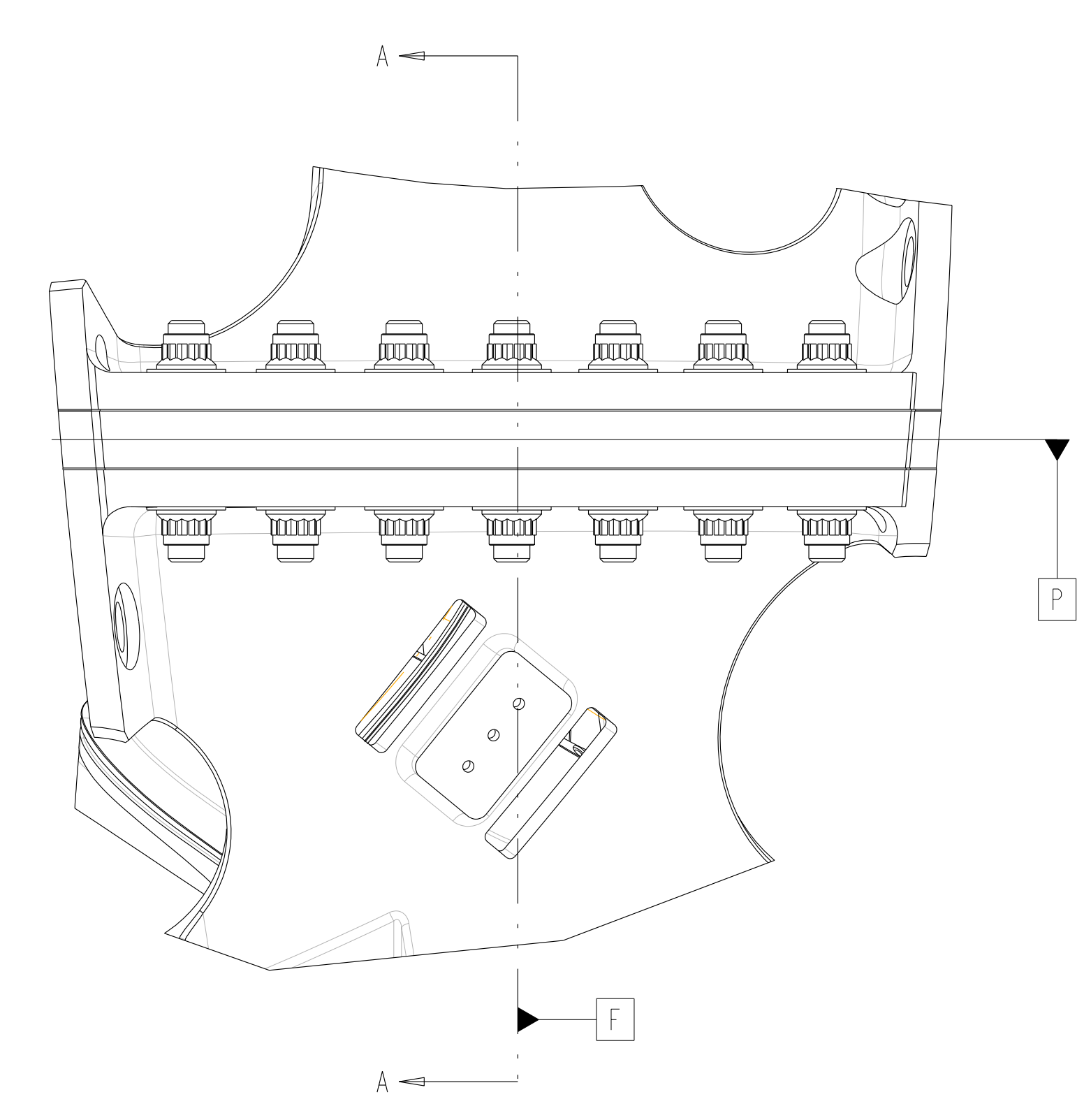
SCALE NOTED	DES T. BROWN 6-30-04	DRW PAUL MILLER 6-30-04	CHK M. COLE 6-30-04	SECT :	DEPT :	PPPL DRFT J. STEGEL 6-30-04	VERSION NO. 5	PLANT X-10	BLDG 5700	FL 3	SHT OF 1	TYPE 2	CLASS S
TOLERANCES UNLESS OTHERWISE SPECIFIED	UT-BATTELLE U.S. GOVERNMENT contract DE-AC05-00OR22725 UT-BATTELLE, LLC, Oak Ridge, Tennessee			NATIONAL COMPACT STELLARATOR EXPERIMENT									
FRACTIONS : ± .01	PROJECT NAME			MOD COIL WINDING FORM ASSEMBLY TYPE-B									
XX DECIMALS ± .005	DRAWING APPROVALS			RELEASE LEVEL Fabrication									
XXX DECIMALS ± .001	DATE			SE141-102									
ANGLES ± 0°15'	DATE			REV 1									
BREAK SHARP EDGES .06 MAX	DATE												
FINISH :25 UNLESS OTHERWISE SPECIFIED	DATE												

NO REPRESENTATION OR WARRANTY, EXPRESSED OR IMPLIED, IS MADE AS TO THE ACCURACY, COMPLETENESS OR USEFULNESS OF THE INFORMATION OR STATEMENTS CONTAINED IN THESE DRAWINGS, OR THAT THE USE OR DISCLOSURE OF ANY INFORMATION, APPARATUS, METHOD OR PROCESS DISCLOSED IN THESE DRAWINGS MAY NOT INFRINGE PRIVATE RIGHTS OF OTHERS. NO LIABILITY IS ASSUMED WITH RESPECT TO THE USE OF, OR FOR DAMAGES RESULTING FROM THE USE OF, ANY INFORMATION, APPARATUS, METHOD OR PROCESS DISCLOSED IN THESE DRAWINGS. DRAWINGS MADE AVAILABLE FOR INFORMATION TO BIDDER ARE NOT TO BE USED FOR OTHER PURPOSES, AND ARE TO BE RETURNED UPON REQUEST OF THE FORWARDING CONTRACTOR.

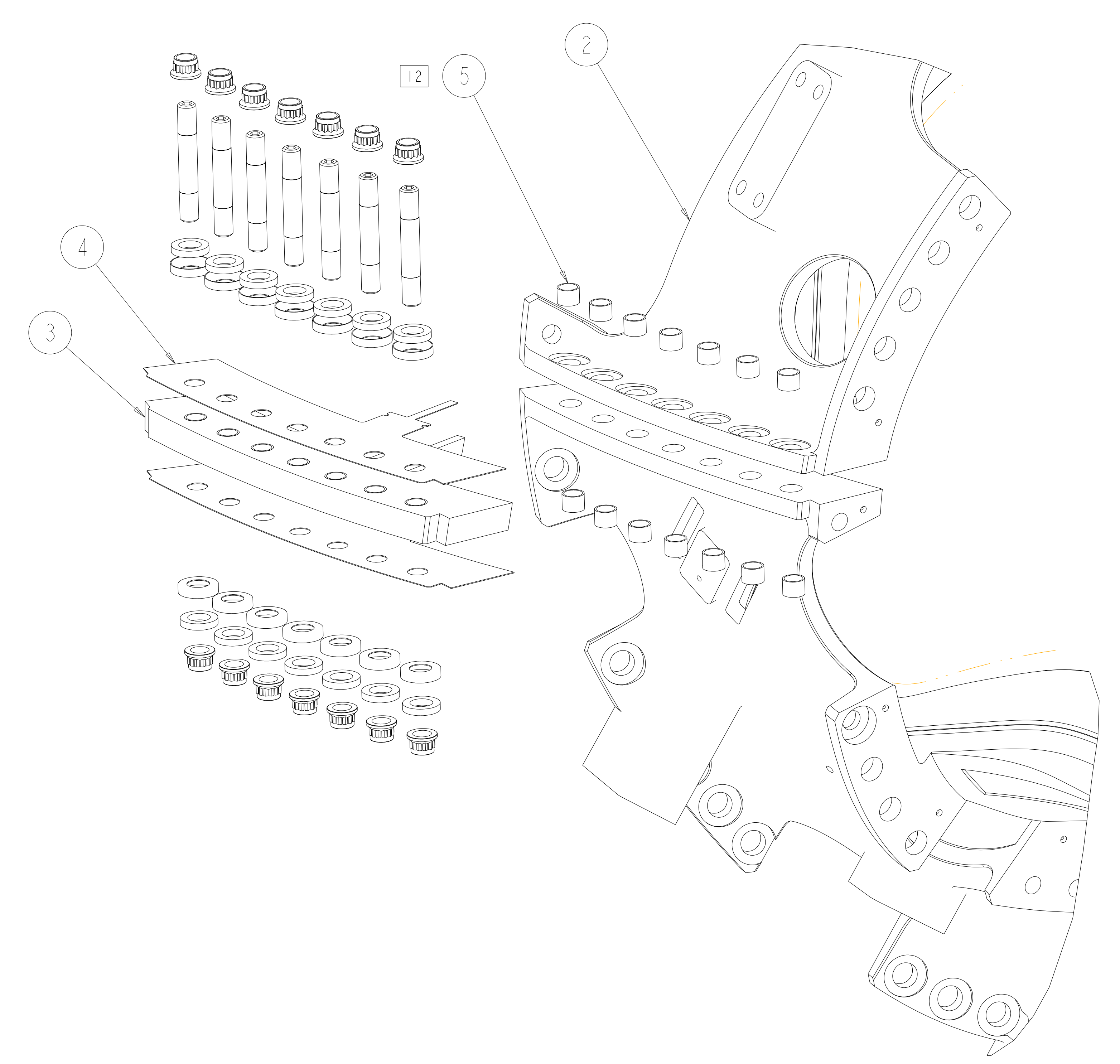
P THIS DRAWING PRODUCED ON PRO-ENGINEER

H
G
F
E
D
C
B
A

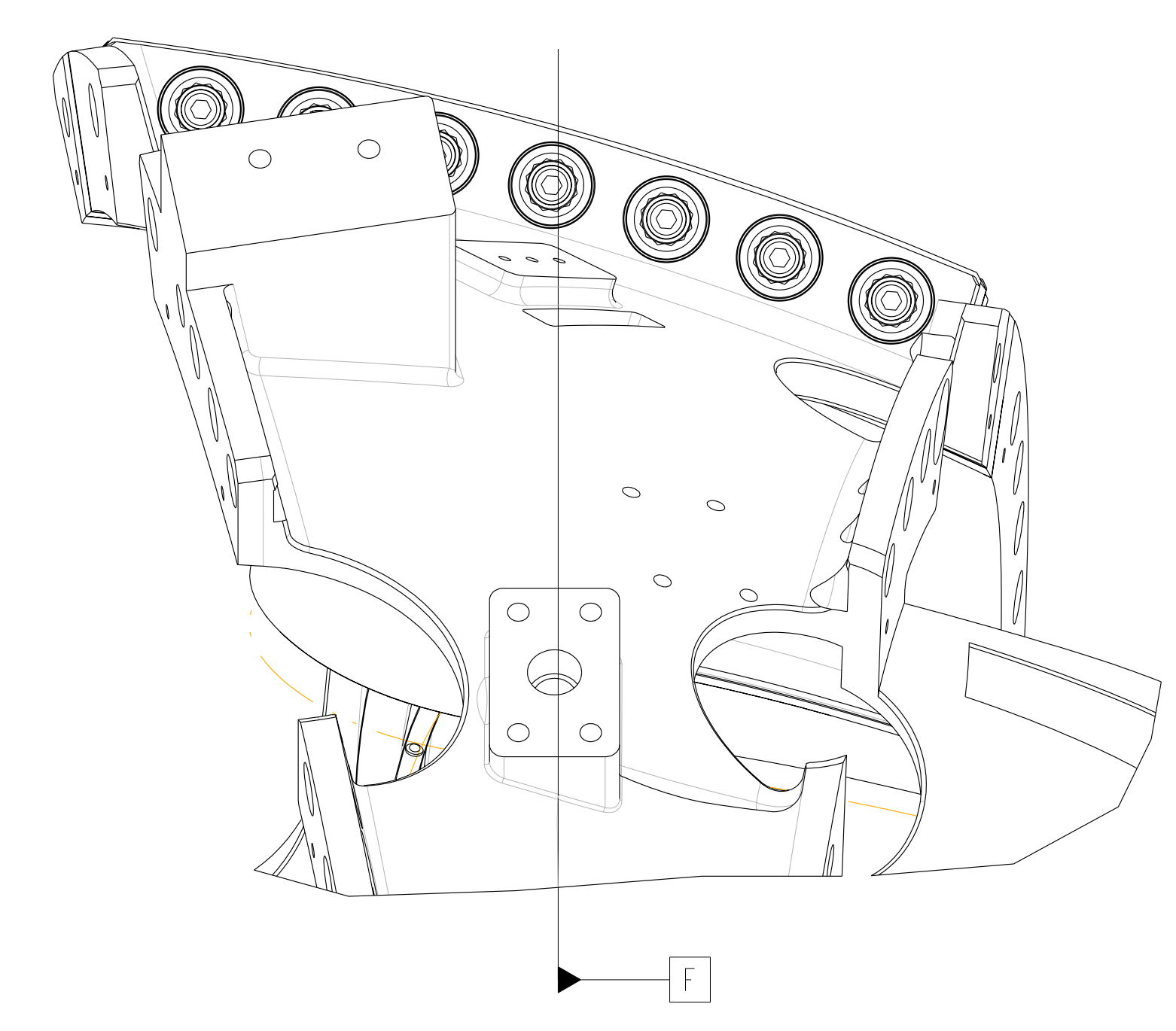
FOR NOTES AND PARTS LIST SEE SHEET 1



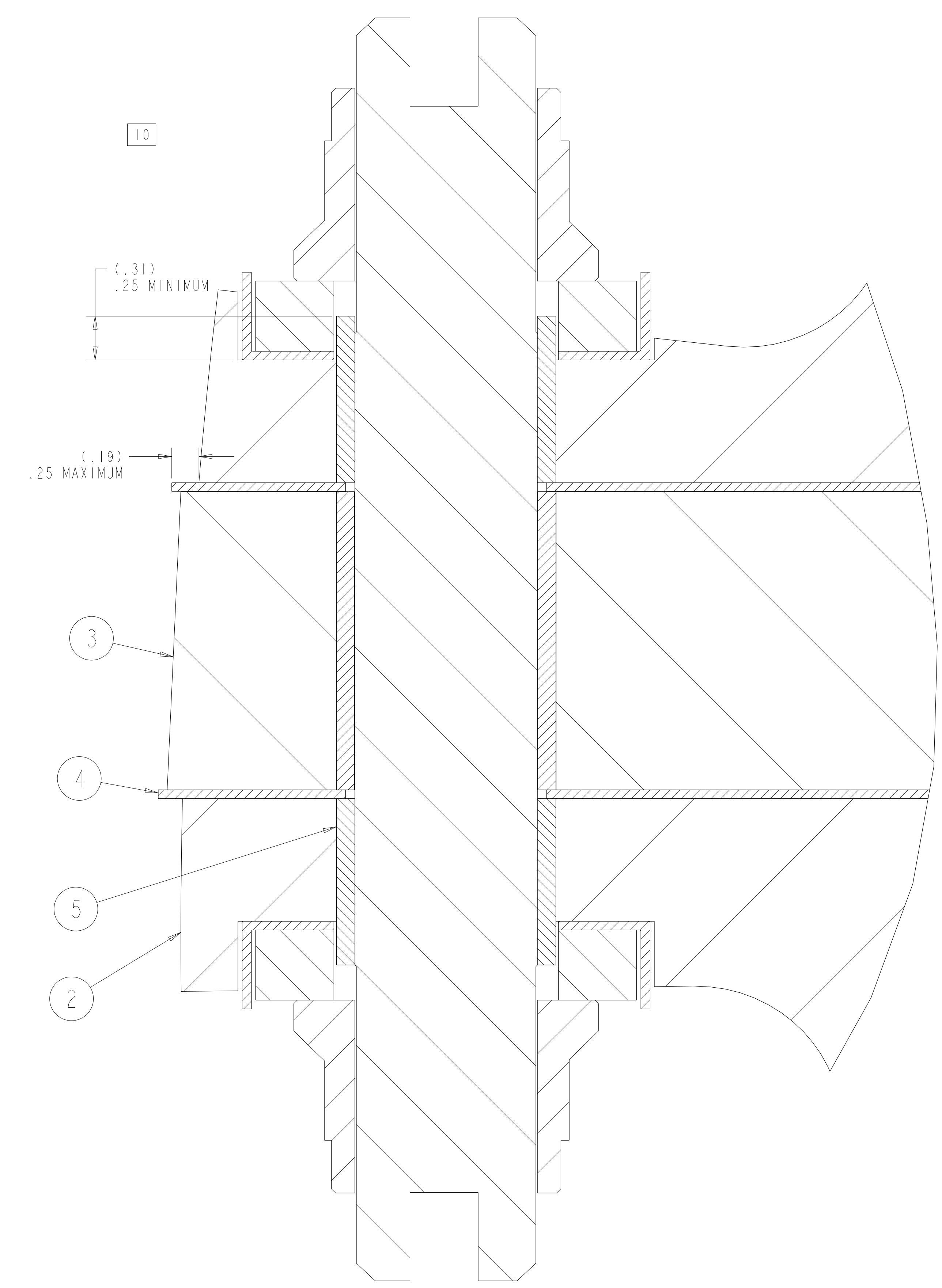
SECTION A-A
 SCALE 0.20



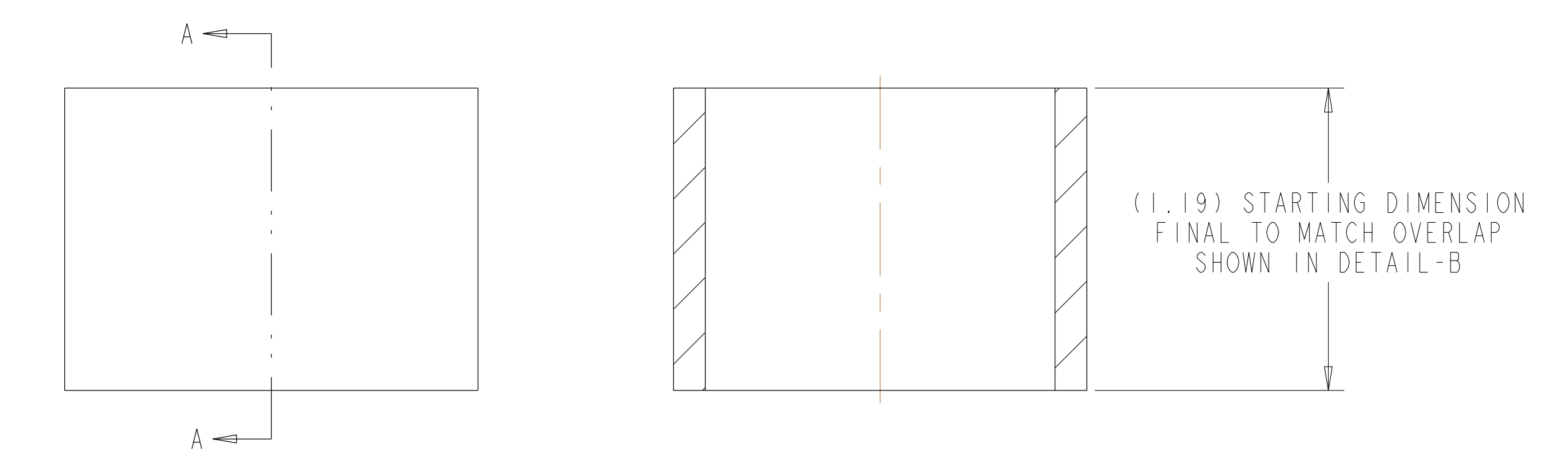
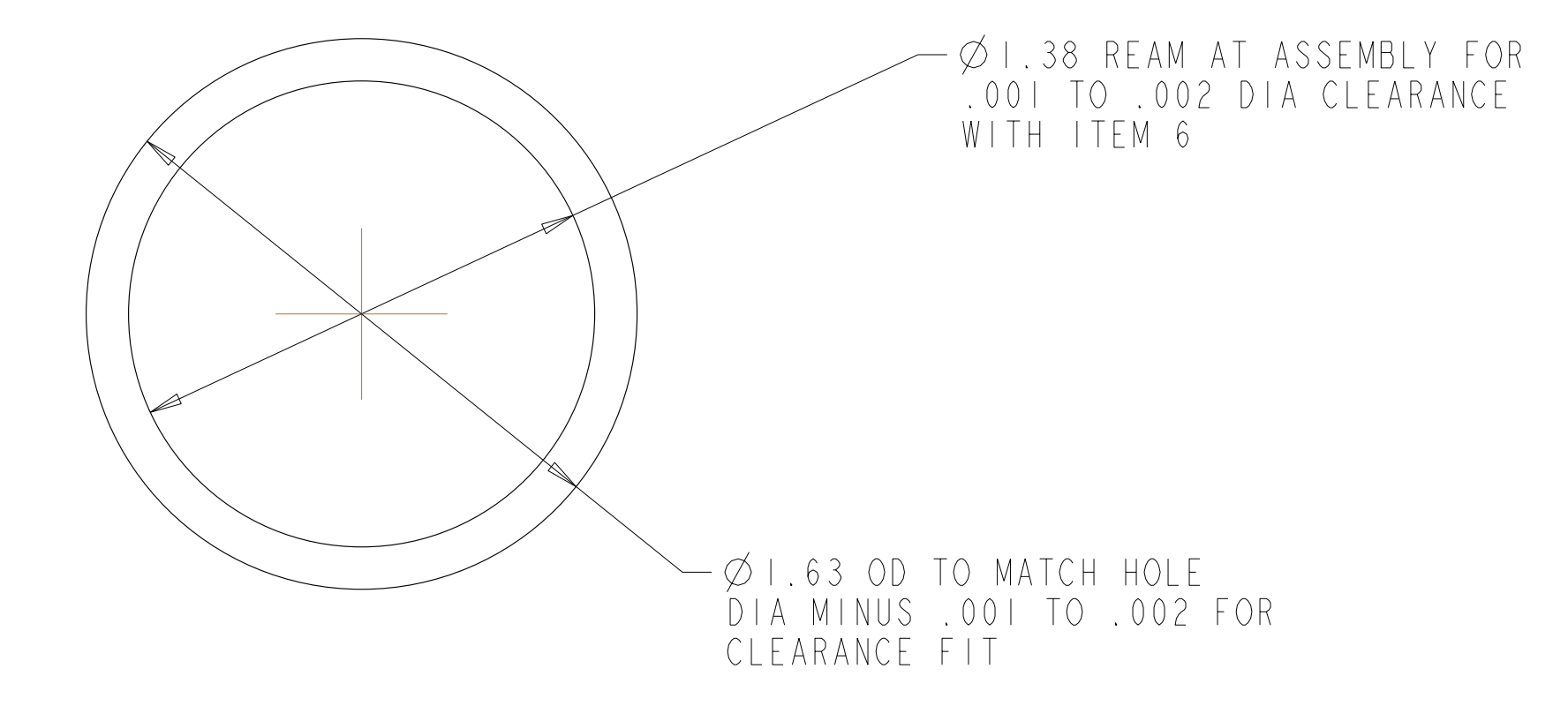
1 EXPLODED VIEW
 SCALE 0.20



POLOIDAL BREAK DETAIL



DETAIL X
 SCALE 2.00



5 SECTION A-A
 SCALE 2.00

Oak Ridge National Laboratory managed for the DEPARTMENT OF ENERGY under U.S. GOVERNMENT contract DE-AC05-00OR22725 UT-BATTELLE, LLC, Oak Ridge, Tennessee PROJECT NAME						
NATIONAL COMPACT STELLARATOR EXPERIMENT						
MOD COIL WINDING FORM ASSEMBLY TYPE-B						
VERSION NO.	PLANT	BLDG	FL	SHT OF	TYPE	CLASS
5	X-10	5700	3	2	S	U
RELEASE LEVEL	SE141-102					
Fabrication						

H
G
F
E
D
C
B
A