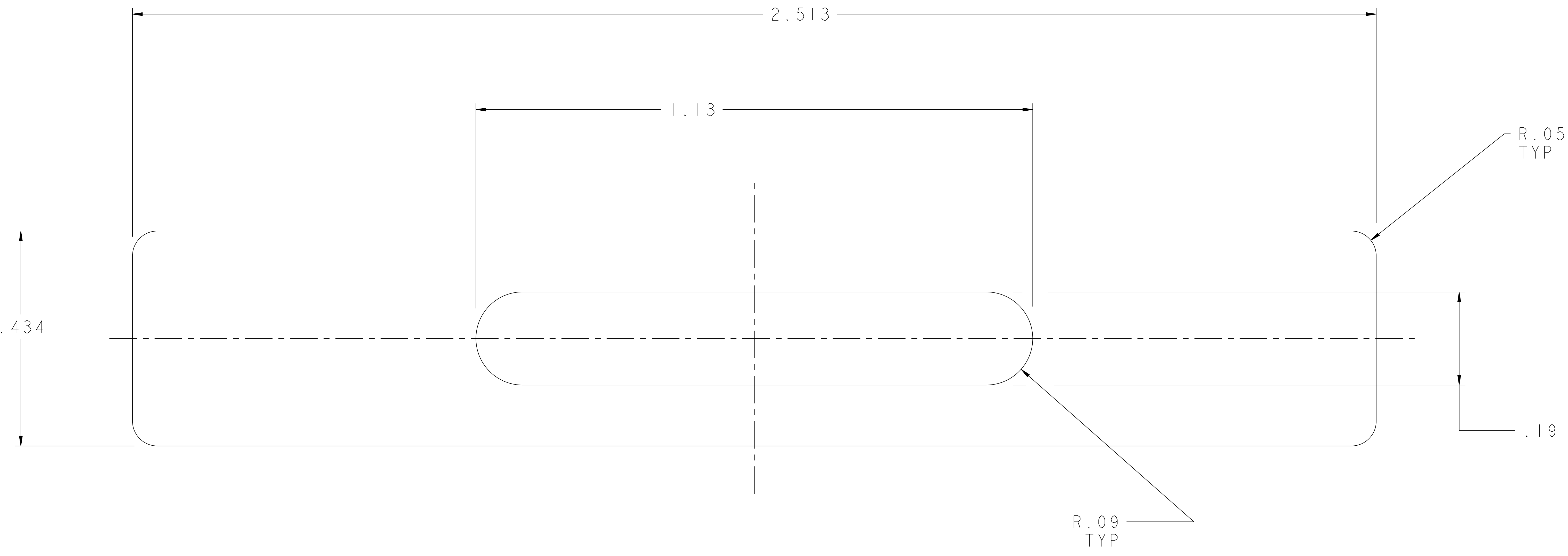


NO.	REVISION	BY	CH	SUP	APPROVED	DATE



CONDUCTOR AREA = .885" ²

NOTE
 1. COPPER TO BE OFHC CDA 104,
 CDA 105, OR CDA 107
 SILVER BEARING

1	TF_COND	TF COIL CONDUCTOR DETAIL	OFHC COPPER
PART NO.	DRAWING NO	NOMENCLATURE OR DESCRIPTION	MATERIAL QTY REOD
PARTS LIST			
COMPUTER GENERATED DRAWING MANUAL CHANGES NOT PERMITTED	CENTRAL FILES: UNLESS OTHERWISE SPECIFIED	PRINCETON PLASMA PHYSICS LABORATORY PRINCETON UNIVERSITY	
Pro E	DIMENSIONS ARE IN INCHES MACHINE SURFACES	NATIONAL COMPACT STELLARATOR EXPERIMENT	
DO NOT VERIFY INFORMATION BY SCALING DRAWING	BREAK SHARP EDGES .005/.020	STELLARATOR CORE CONVENTIONAL COILS TF COIL BARE CONDUCTOR DETAIL	
SCALE 10.000	TOLERANCES NON-CUMULATIVE	DSN: J. RUSHINSKI	DRAWING NO:
NEXT ASSEMBLY	DECIMAL-INCH FRACTIONS	CHK:	TF_COND
	.XX +/- .000 0°-12° +/- .010	ENGR:	
	.XXX +/- .005 12°-120° +/- .010	SUPV:	
	ANGULAR +/- .0°-15° OVER 120° +/- .010		
			SHEET 1 OF 1 REV

RELEASE LEVEL: WIP
 DWG VERSION NO:

WELDING ENGINEER

NCSX-TF_COND