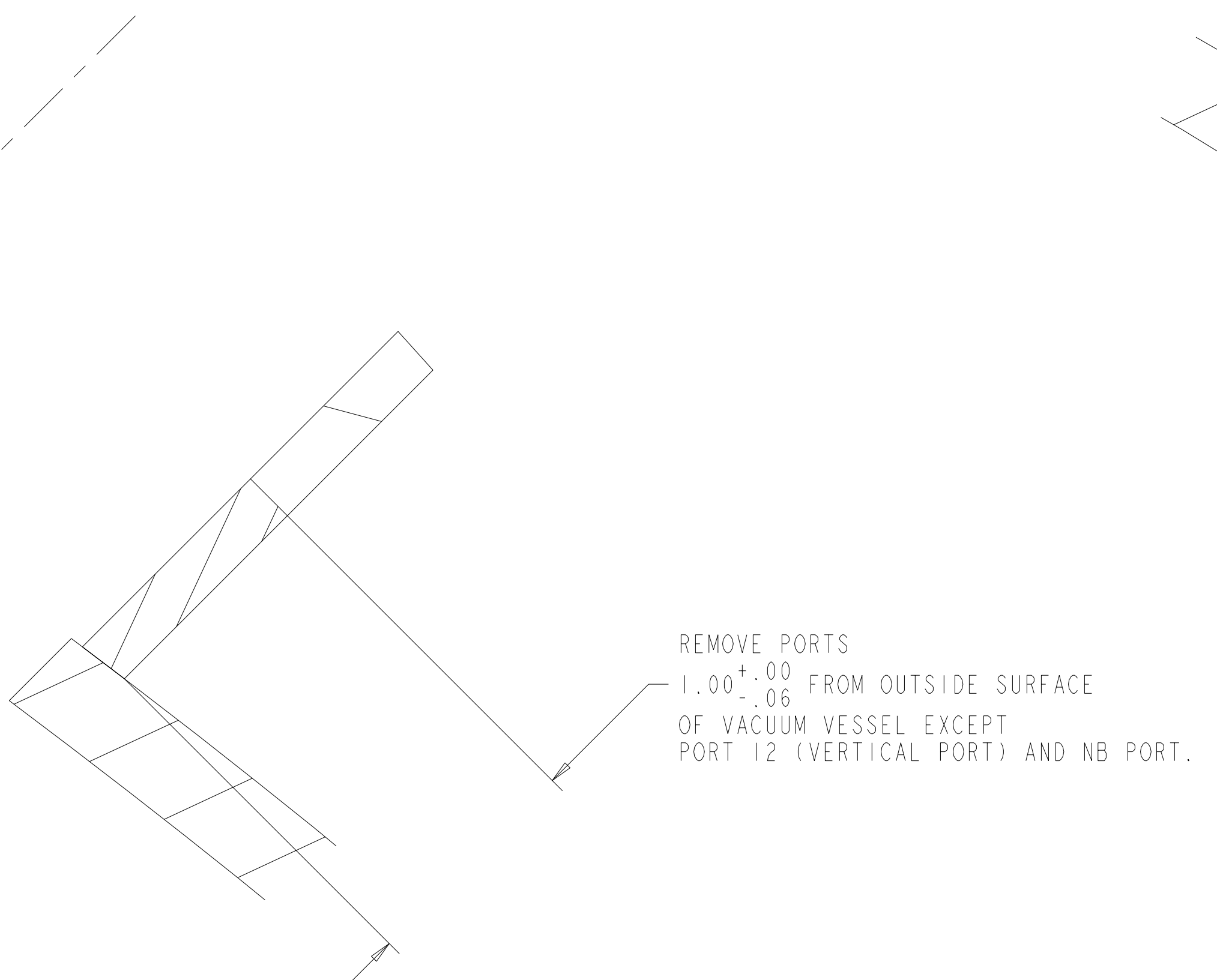
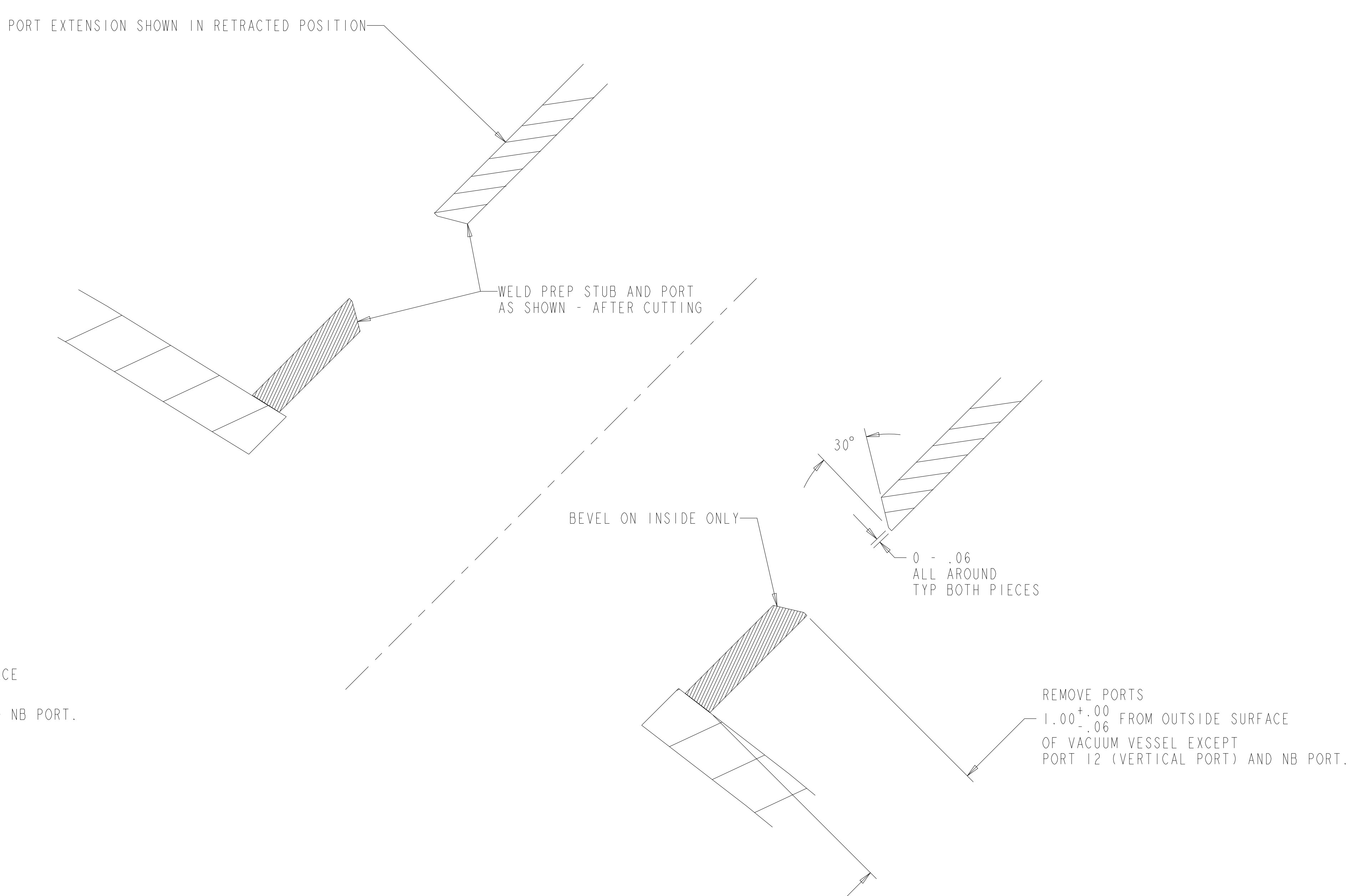
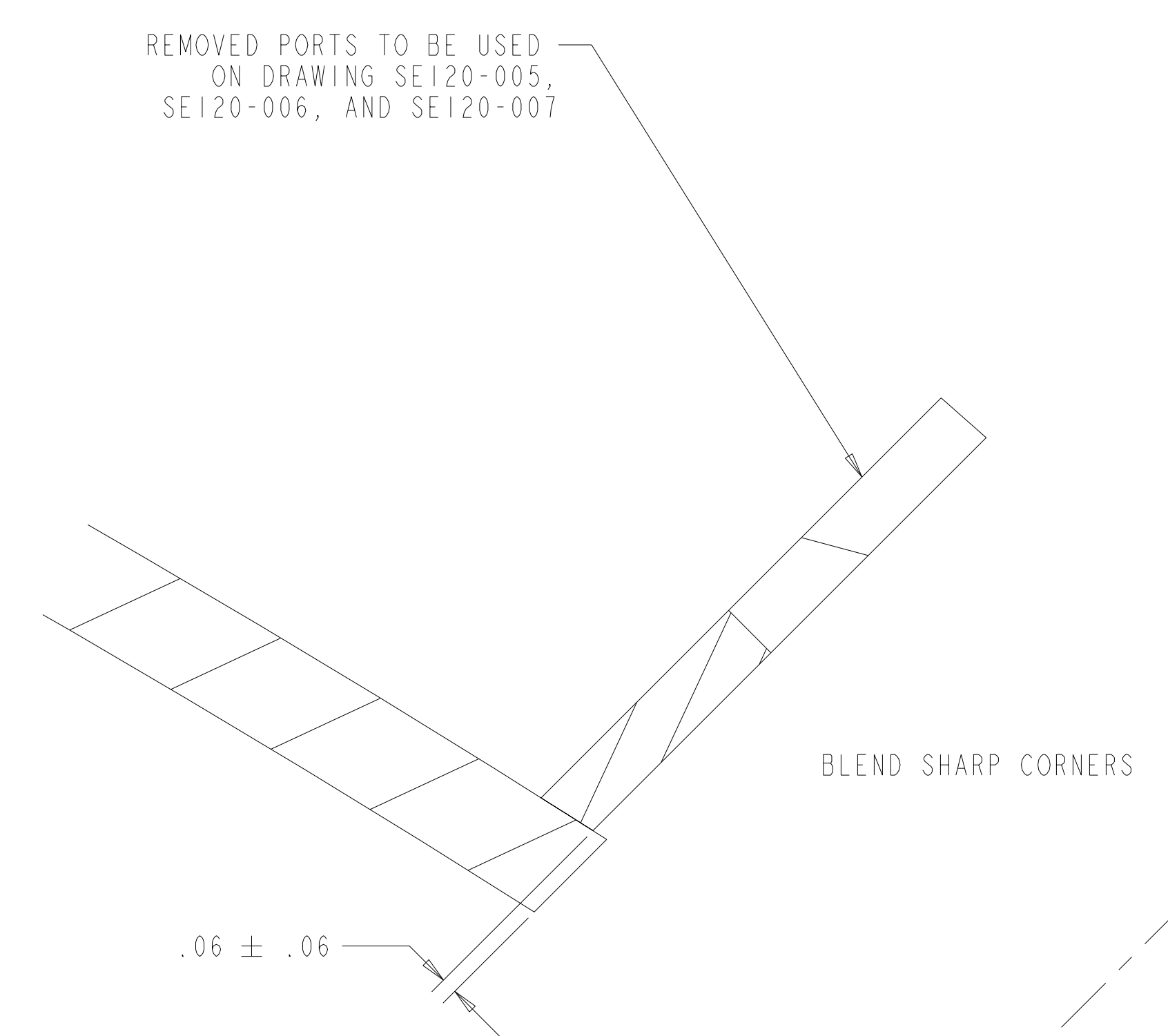


**RELEASED FOR
 FABRICATION / INSTALLATION**
 PPPL Drafting:

UT-BATTELLE		Oak Ridge National Laboratory managed for the DEPARTMENT OF ENERGY under U.S. GOVERNMENT contract DE-AC05-00OR22725 UT-BATTELLE, LLC., Oak Ridge, Tennessee	
PROJECT NAME NATIONAL COMPACT STELLARATOR EXPERIMENT			
VACUUM VESSEL PERIOD ASSEMBLY AND REMOVED PORT EXTENSIONS			
VERSION NO. 21	PLANT X-10	BLDG 5700	FL SHT OF TYPE CLASS 3 2 4 A U
RELEASE LEVEL Fabrication	SEI20-003		REV 0

H
G
F
E
D
C
B
A

FOR NOTES AND PARTS LIST SEE SHEET 1.



TYPICAL FOR ALL PORTS
 EXCEPT VERTICAL PORT 12 AND NEUTRAL BEAM PORT
 SECTION PORT02-PORT02
 FROM SHT 2
 SCALE 2.00

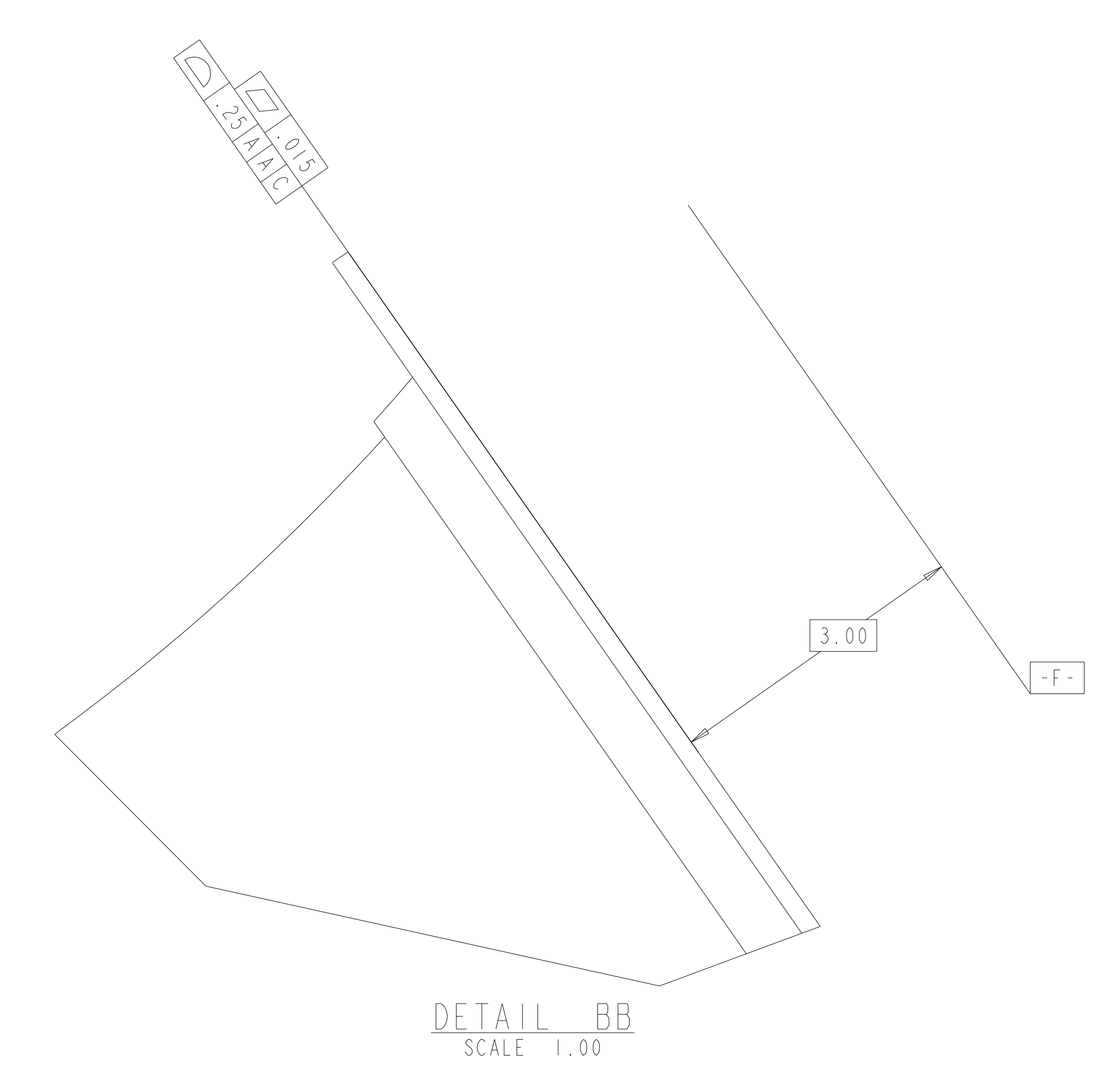
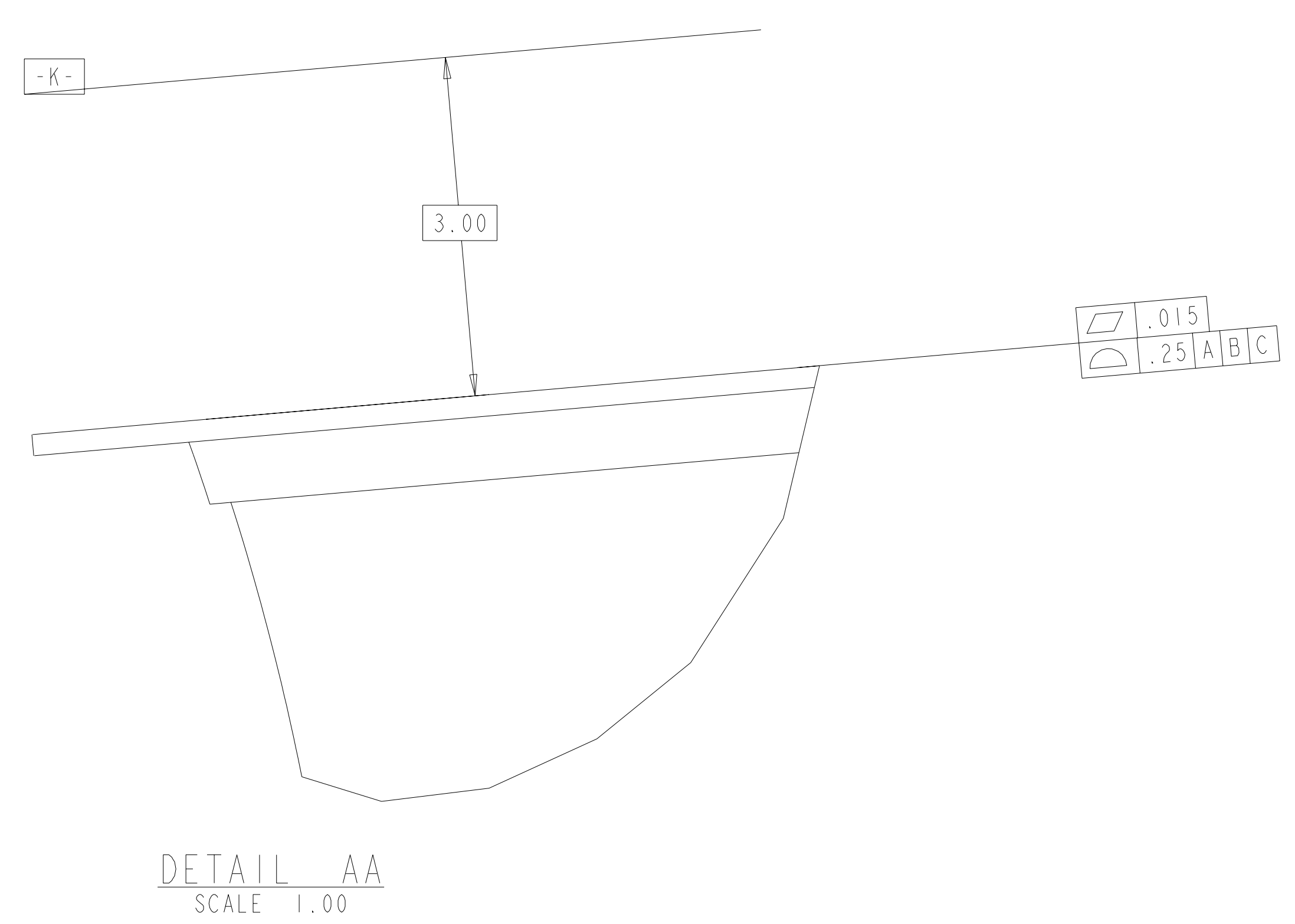
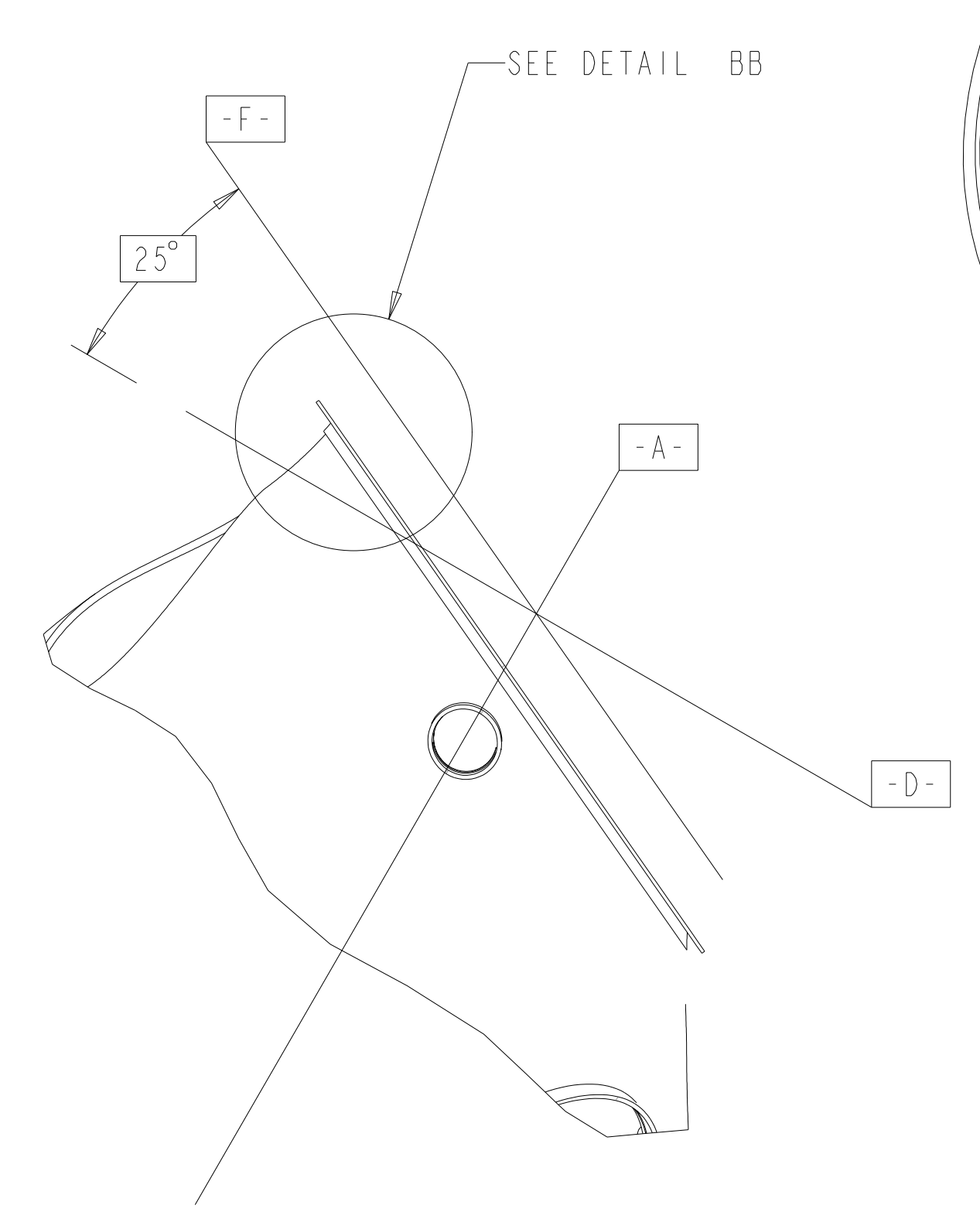
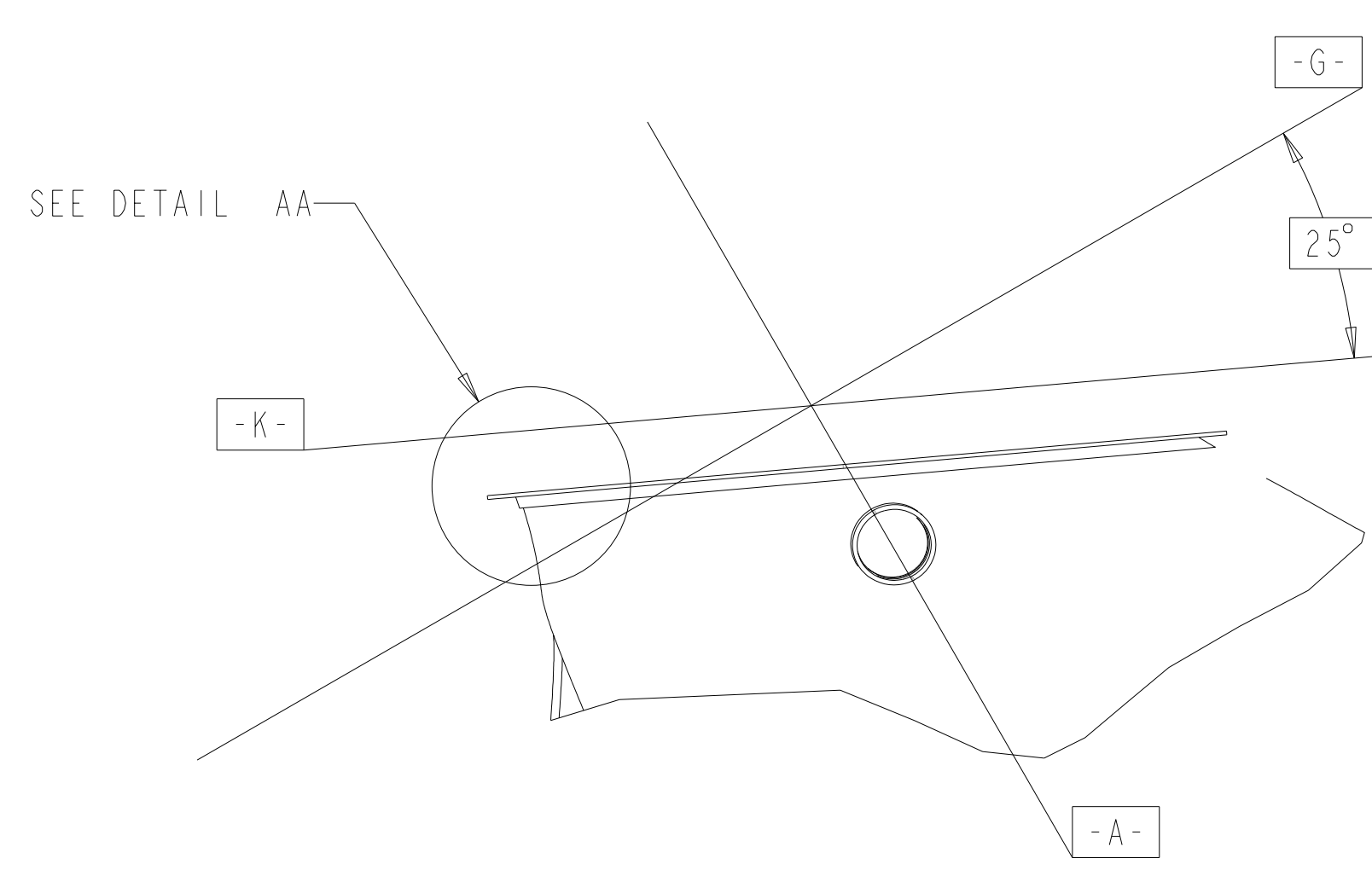
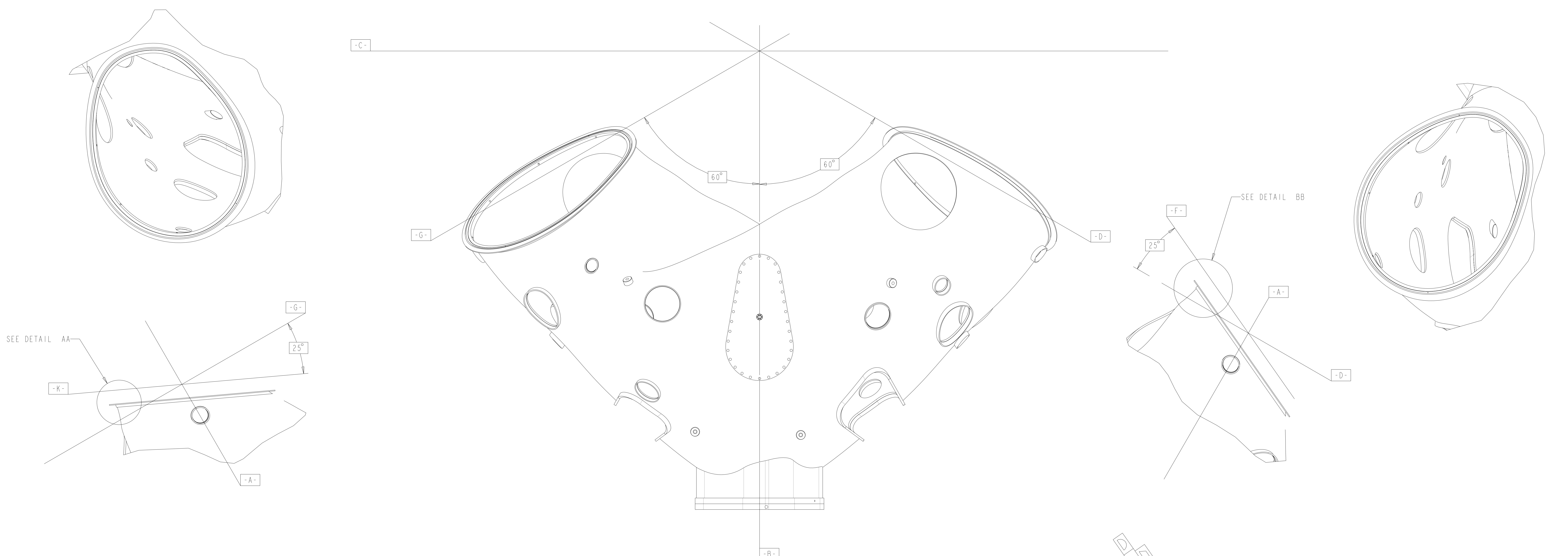
TYPICAL PORT WELD PREP DETAIL
 FOR ALL PORTS
 EXCEPT VERTICAL PORT 12, NEUTRAL BEAM PORT, AND PORT 4
 SECTION PORT02-PORT02 SHOWN
 FROM SHEET 2
 SCALE 2.00

**RELEASED FOR
 FABRICATION / INSTALLATION**
 PPPL Drafting:

UT-BATTELLE		Oak Ridge National Laboratory managed for the DEPARTMENT OF ENERGY under U.S. GOVERNMENT contract DE-AC05-00OR22725 UT-BATTELLE, LLC, Oak Ridge, Tennessee	
PROJECT NAME			
NATIONAL COMPACT STELLARATOR EXPERIMENT			
VACUUM VESSEL PERIOD ASSEMBLY AND REMOVED PORT EXTENSIONS			
VERSION NO.	PLANT	BLDG	FL SHT OF TYPE CLASS
21	X-10	5700	3 3 4 A U
RELEASE LEVEL		SE120-003	
Fabrication		REV 0	

H
G
F
E
D
C
B
A

FOR NOTES AND PARTS LIST SEE SHEET 1.



**RELEASED FOR
FABRICATION / INSTALLATION**
PPPL Drafting:

UT-BATTELLE		Oak Ridge National Laboratory managed for the DEPARTMENT OF ENERGY under U.S. GOVERNMENT contract DE-AC05-00OR22725 UT-BATTELLE, LLC, Oak Ridge, Tennessee	
PROJECT NAME NATIONAL COMPACT STELLARATOR EXPERIMENT			
VACUUM VESSEL PERIOD ASSEMBLY AND REMOVED PORT EXTENSIONS			
VERSION NO. 21	PLANT X-10	BLDG 5700	FL SHT OF TYPE CLASS 3 4 4 A U
RELEASE LEVEL Fabrication	SE120-003		REV 0

H G F E D C B A

SE120-003