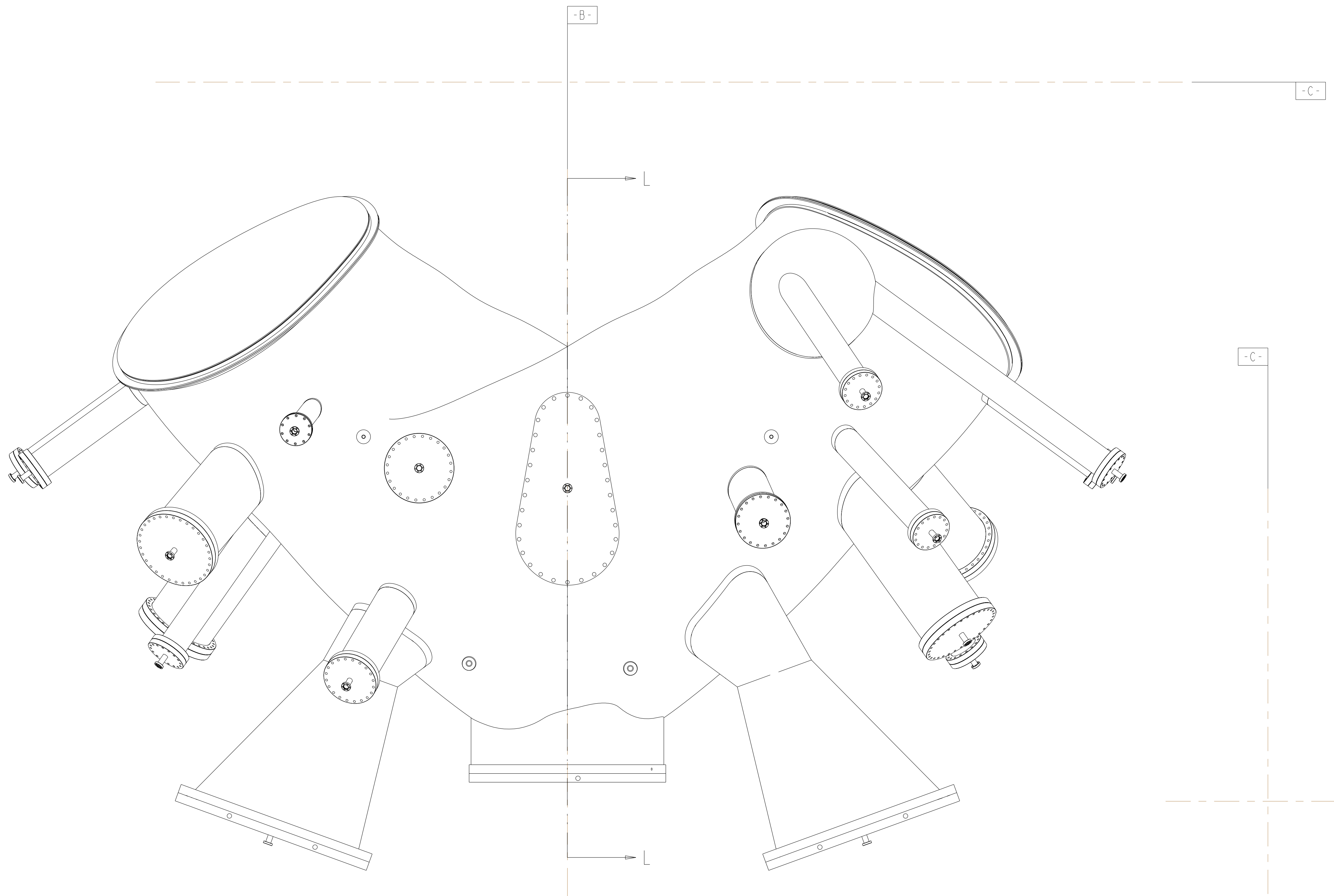
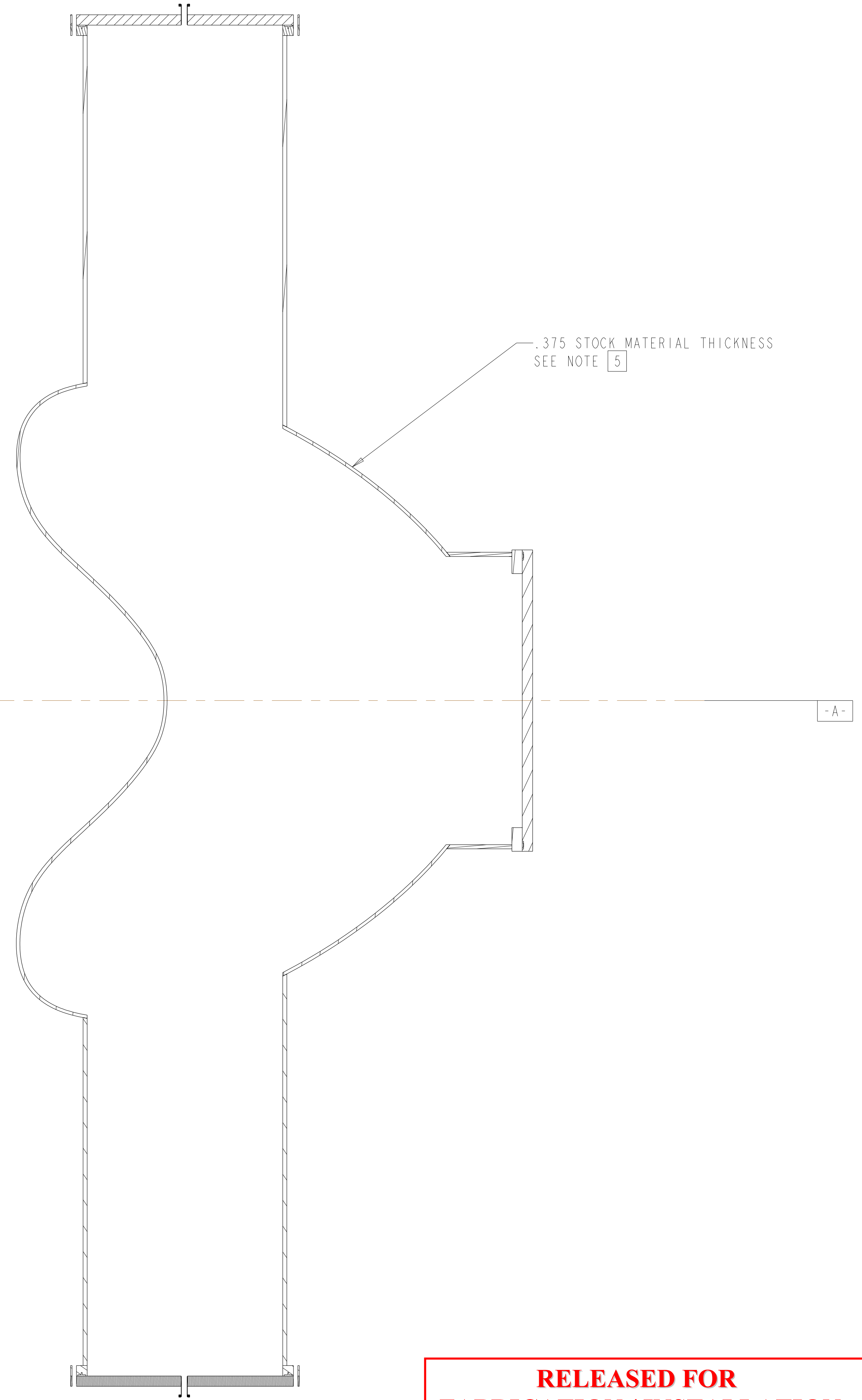


FOR NOTES AND PARTS LIST SEE SHEET 1



TOP VIEW



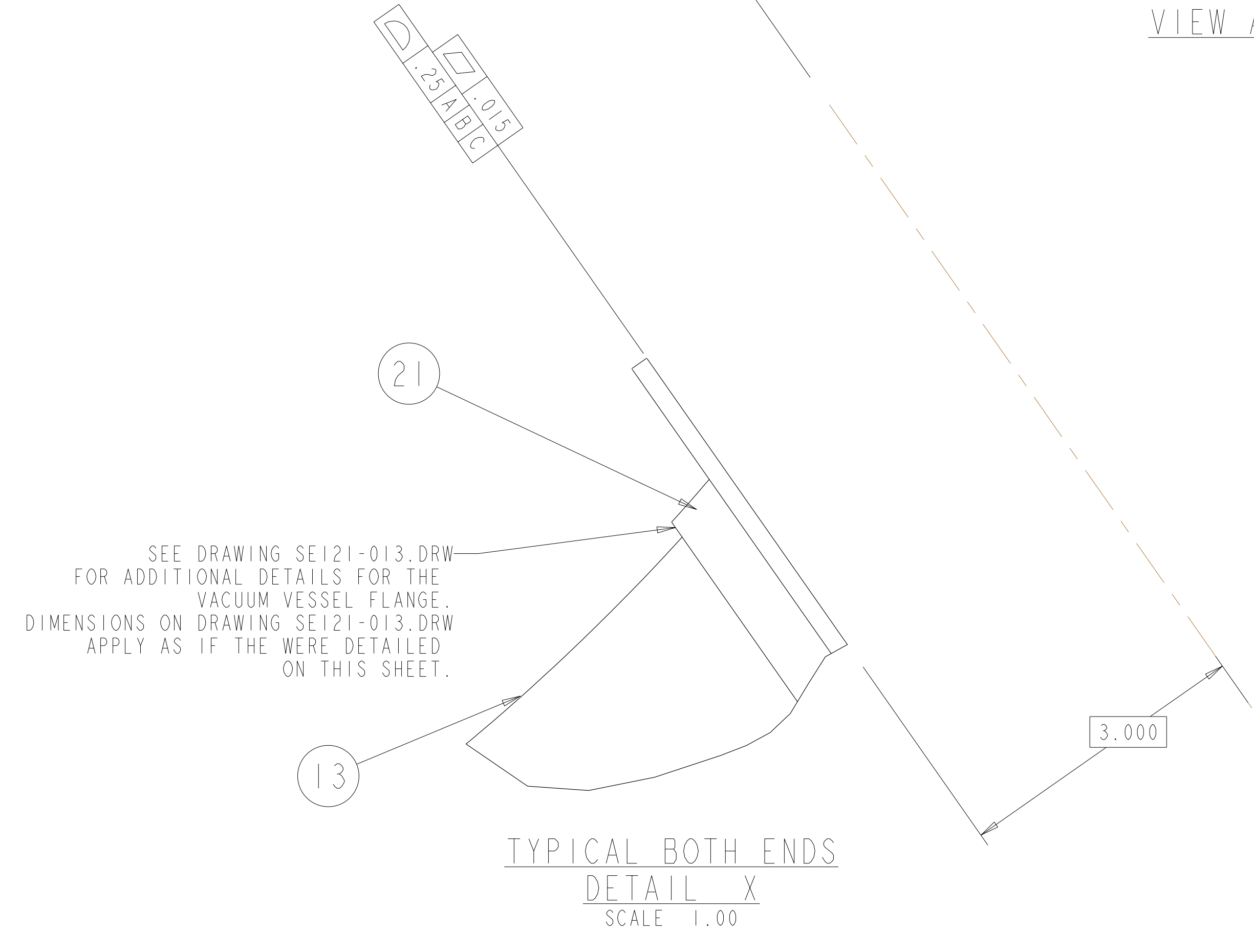
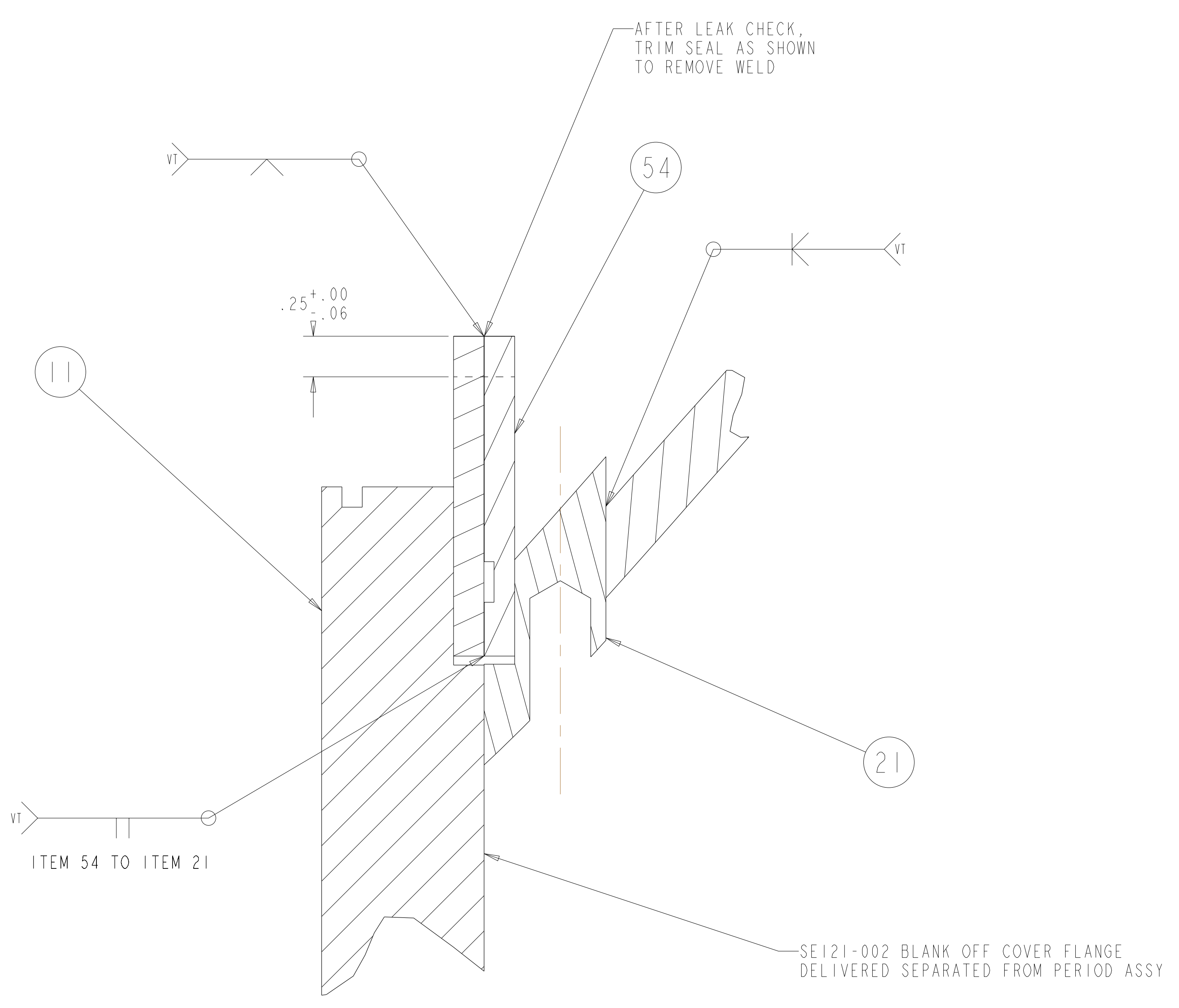
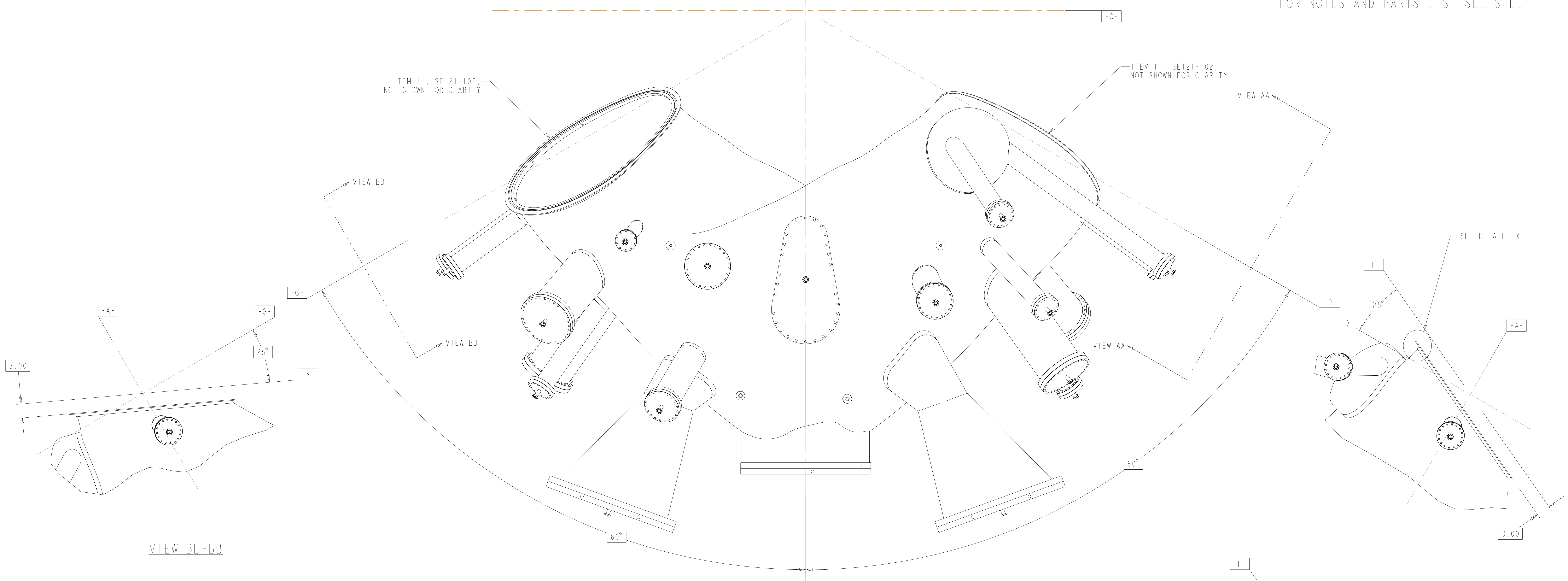
SECTION L-L
 VESSEL THICKNESS

**RELEASED FOR
 FABRICATION / INSTALLATION**
 PPPL Drafting:

Oak Ridge National Laboratory managed for the DEPARTMENT OF ENERGY under U.S. GOVERNMENT contract DE-AC05-00OR22725 UT-BATTELLE, LLC, Oak Ridge, Tennessee PROJECT NAME						
NATIONAL COMPACT STELLERATOR EXPERIMENT VACUUM VESSEL PERIOD INSPECTION AND LEAK CHECK ASSEMBLY						
VERSION NO.	PLANT	BLDG	FL	SHT OF	TYPE	CLASS
1	X-10	5700	3	2 19	A	U
RELEASE LEVEL		SE120-004				
Fabrication		1				

H
G
F
E
D
C
B
A

FOR NOTES AND PARTS LIST SEE SHEET 1

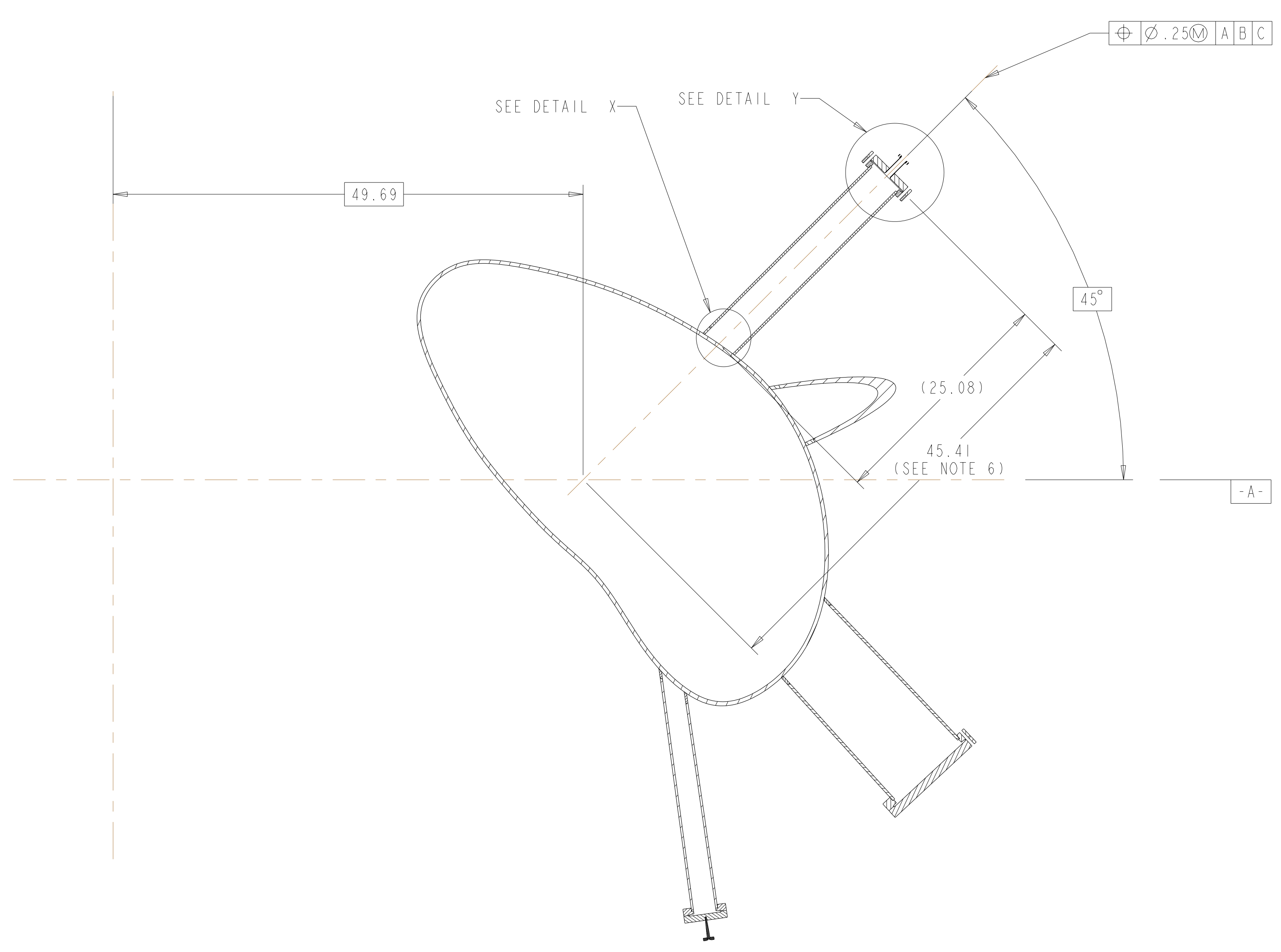
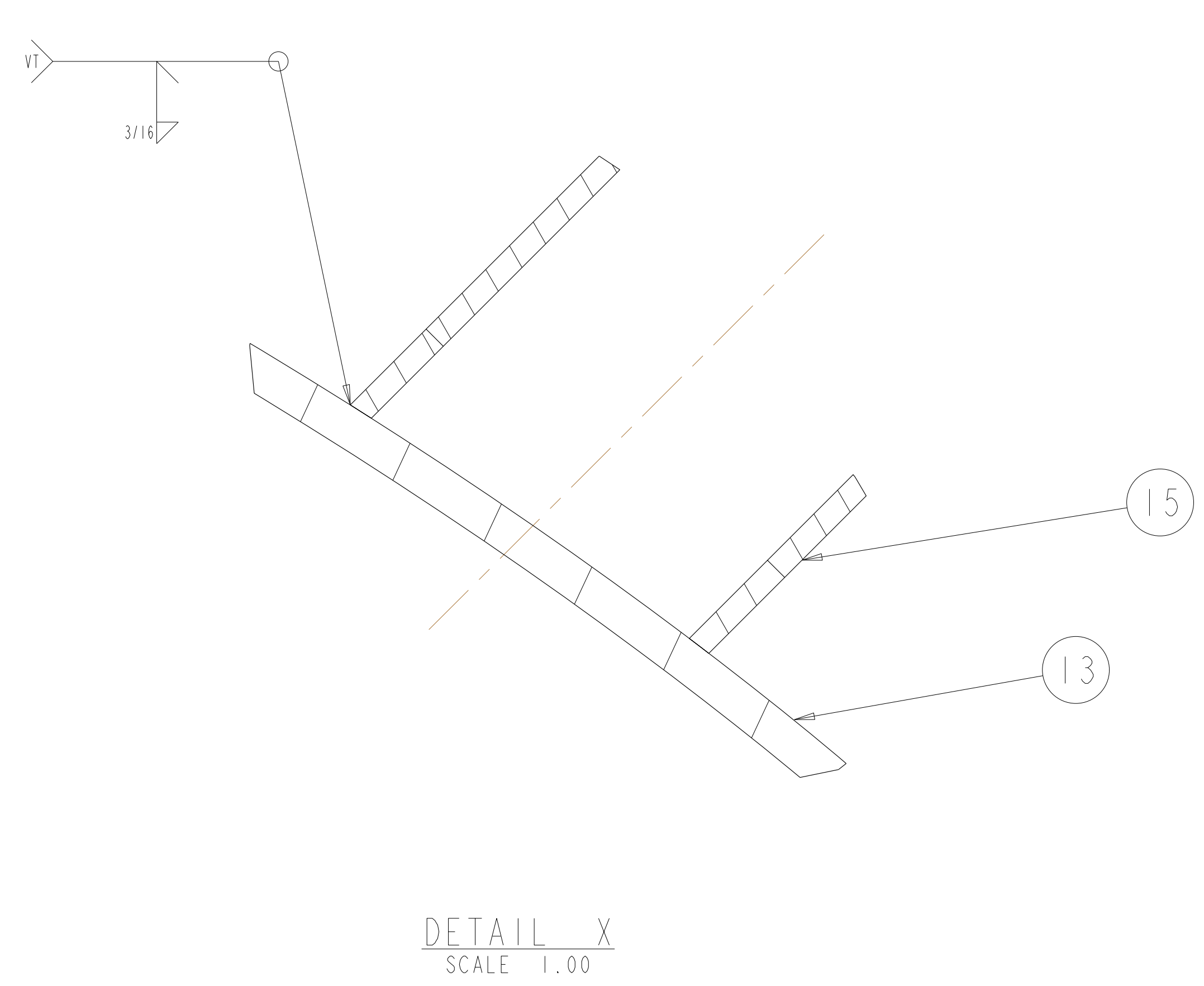
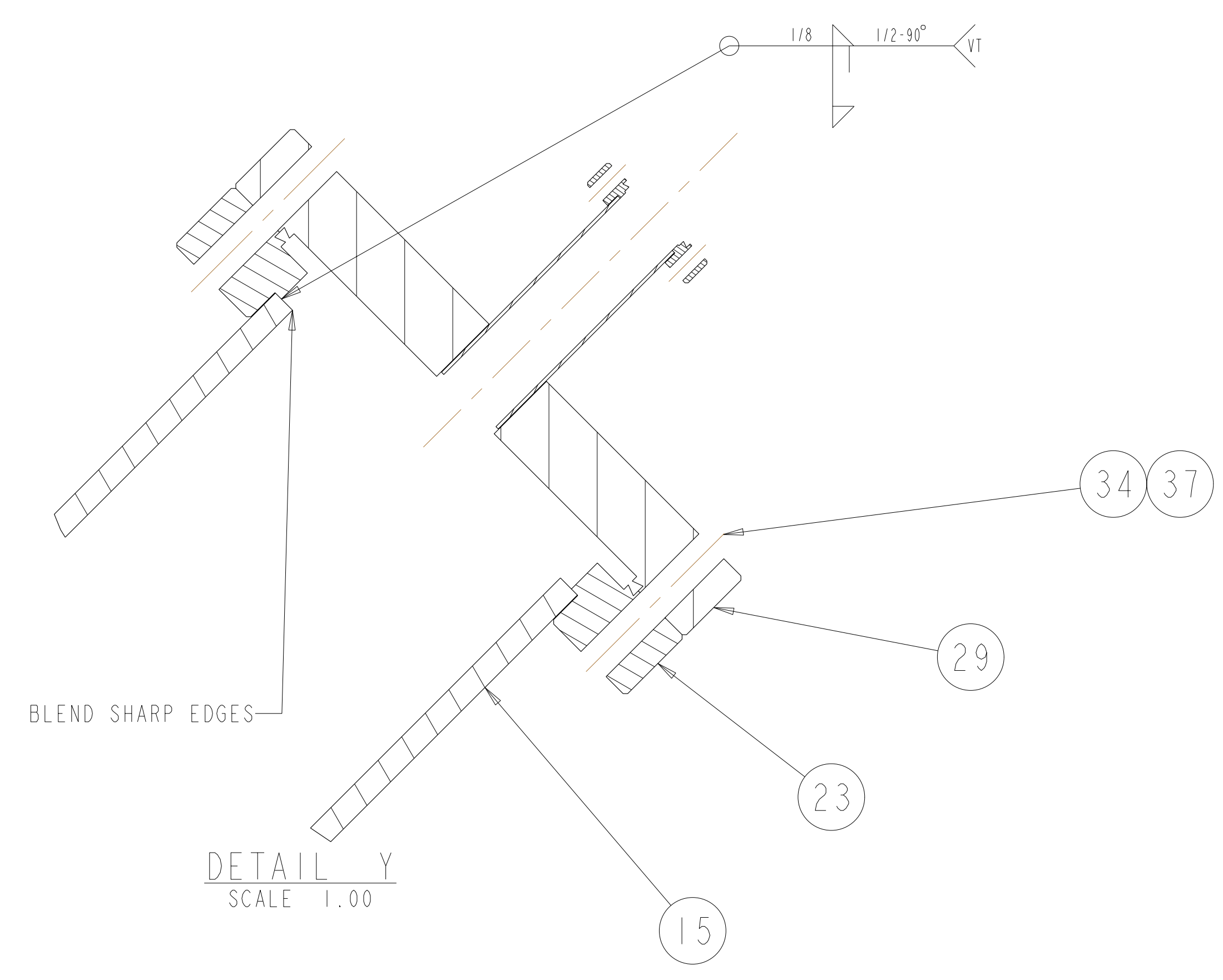
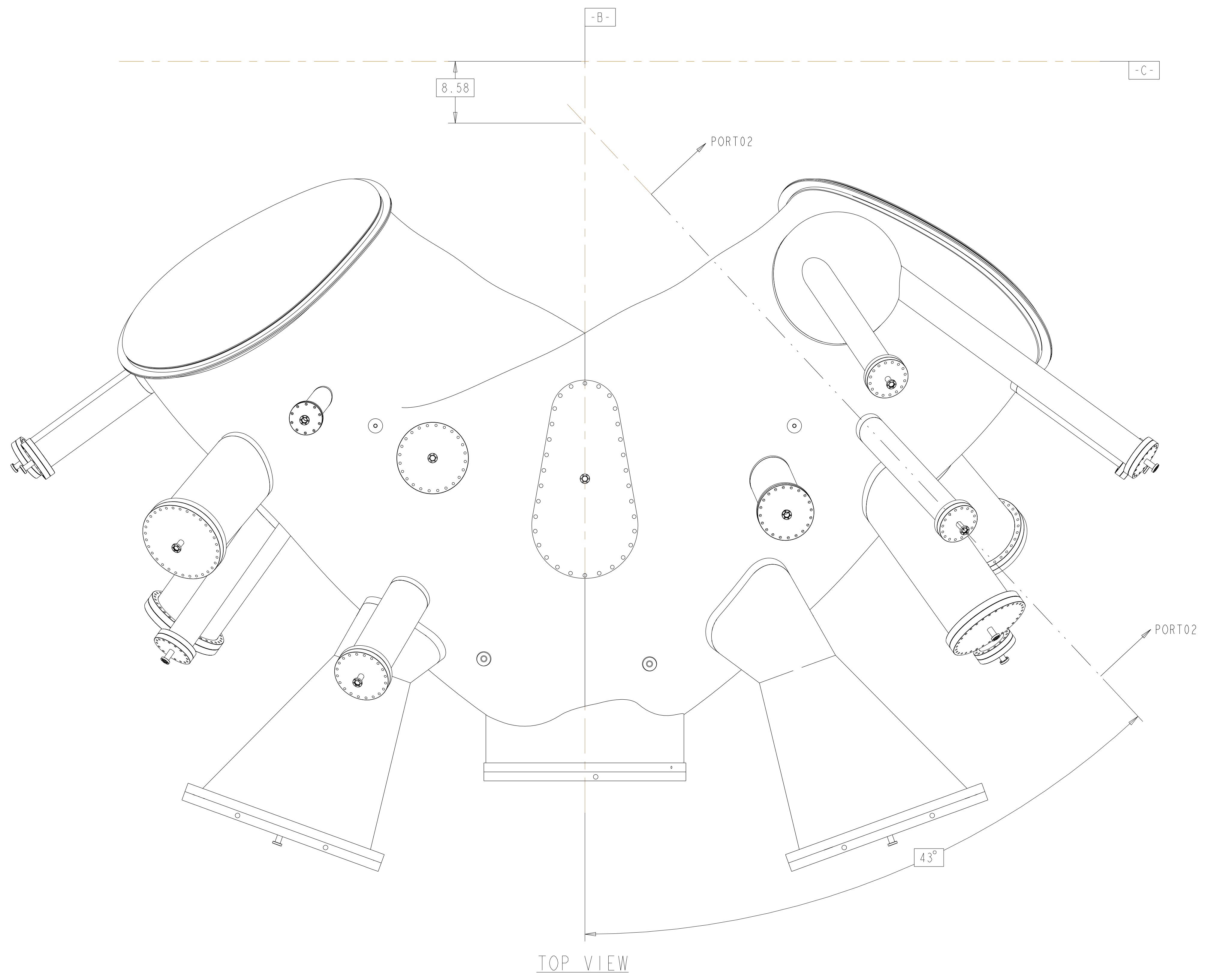


**RELEASED FOR
FABRICATION / INSTALLATION**

PPPL Drafting:

UT-BATTELLE		Oak Ridge National Laboratory managed for the DEPARTMENT OF ENERGY under U.S. GOVERNMENT contract DE-AC05-00OR22725 UT-BATTELLE, LLC, Oak Ridge, Tennessee					
PROJECT NAME							
NATIONAL COMPACT STELLARATOR EXPERIMENT							
VACUUM VESSEL PERIOD INSPECTION AND LEAK CHECK ASSEMBLY							
VERSION NO.	PLANT	BLDG	FL	SHT OF	TYPE	CLASS	
1	X-10	5700	3	3 19	A	U	
RELEASE LEVEL		SE120-004					
Fabrication		REV 1					

FOR PARTS LIST AND NOTES SEE SHEET 1.



TYPICAL PORT 2A AND 2B
 SECTION PORT02-PORT02

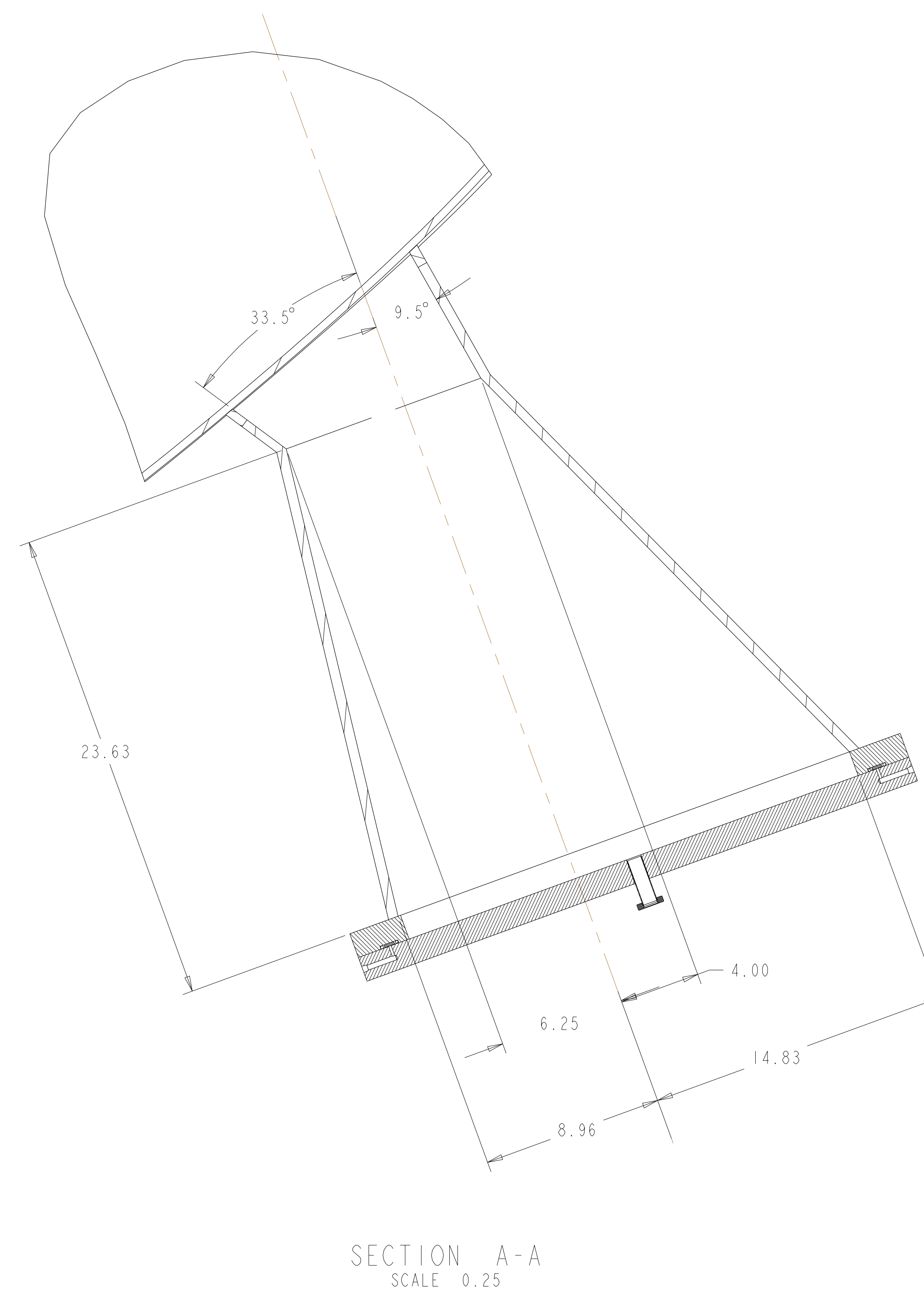
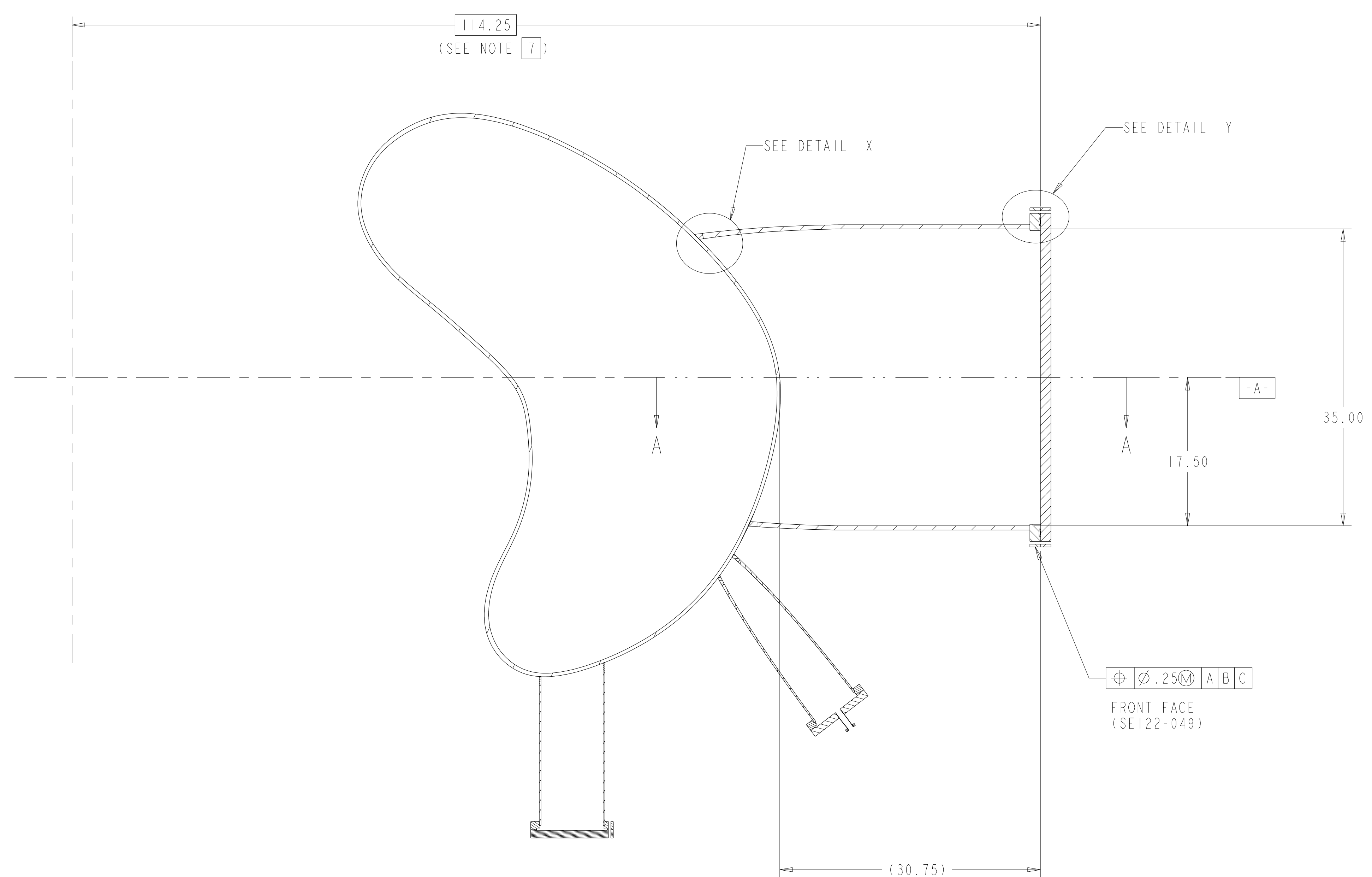
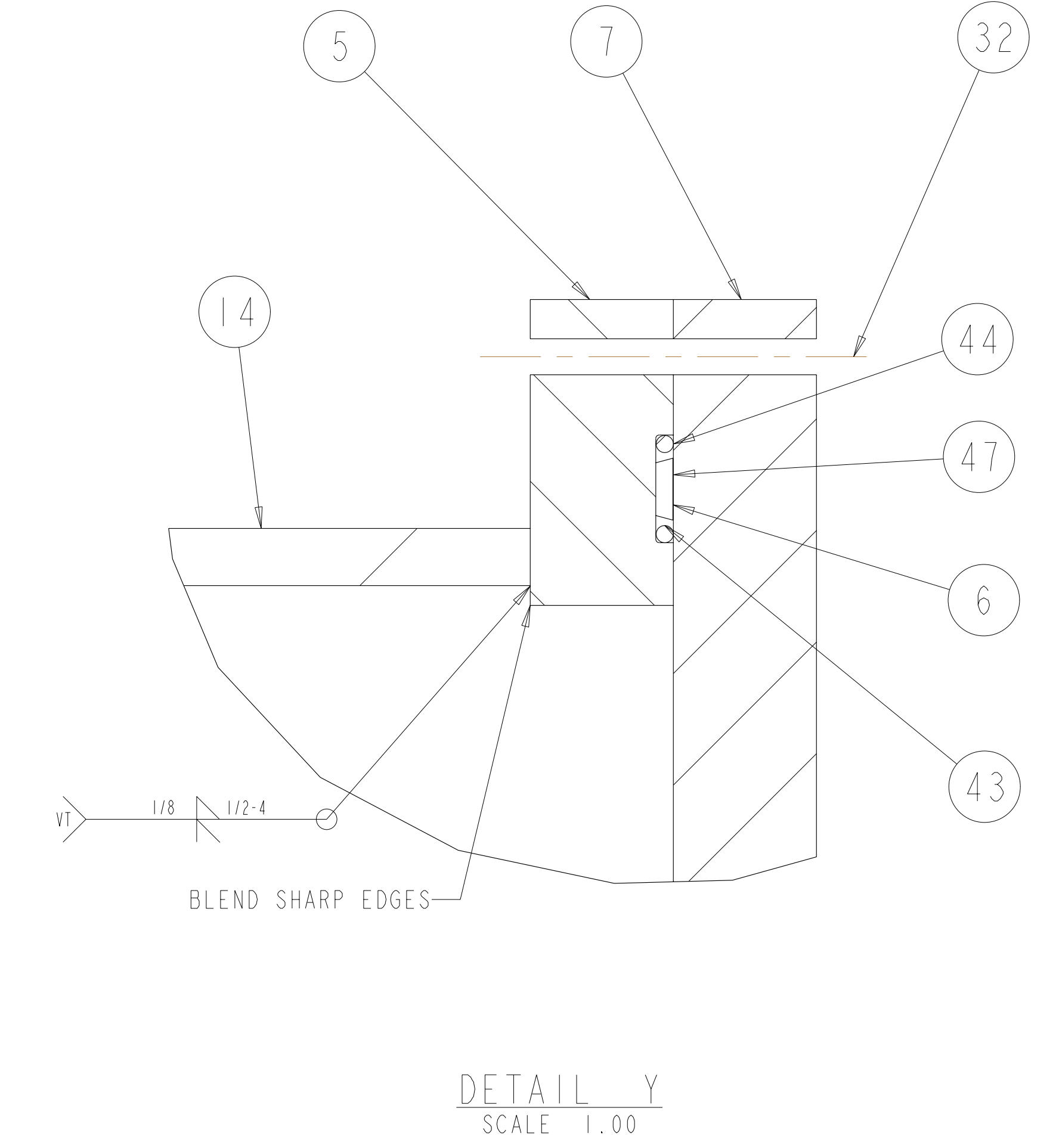
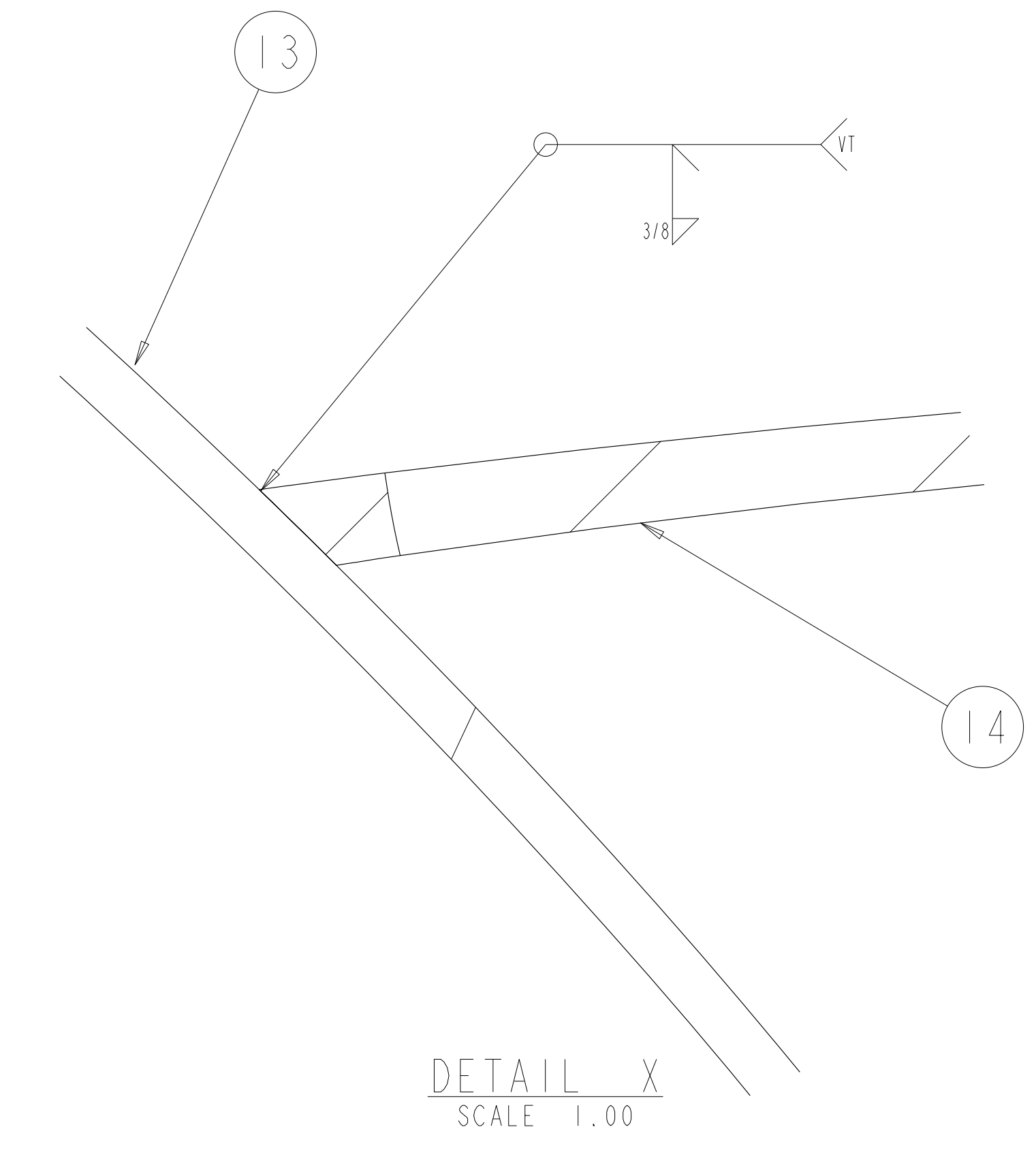
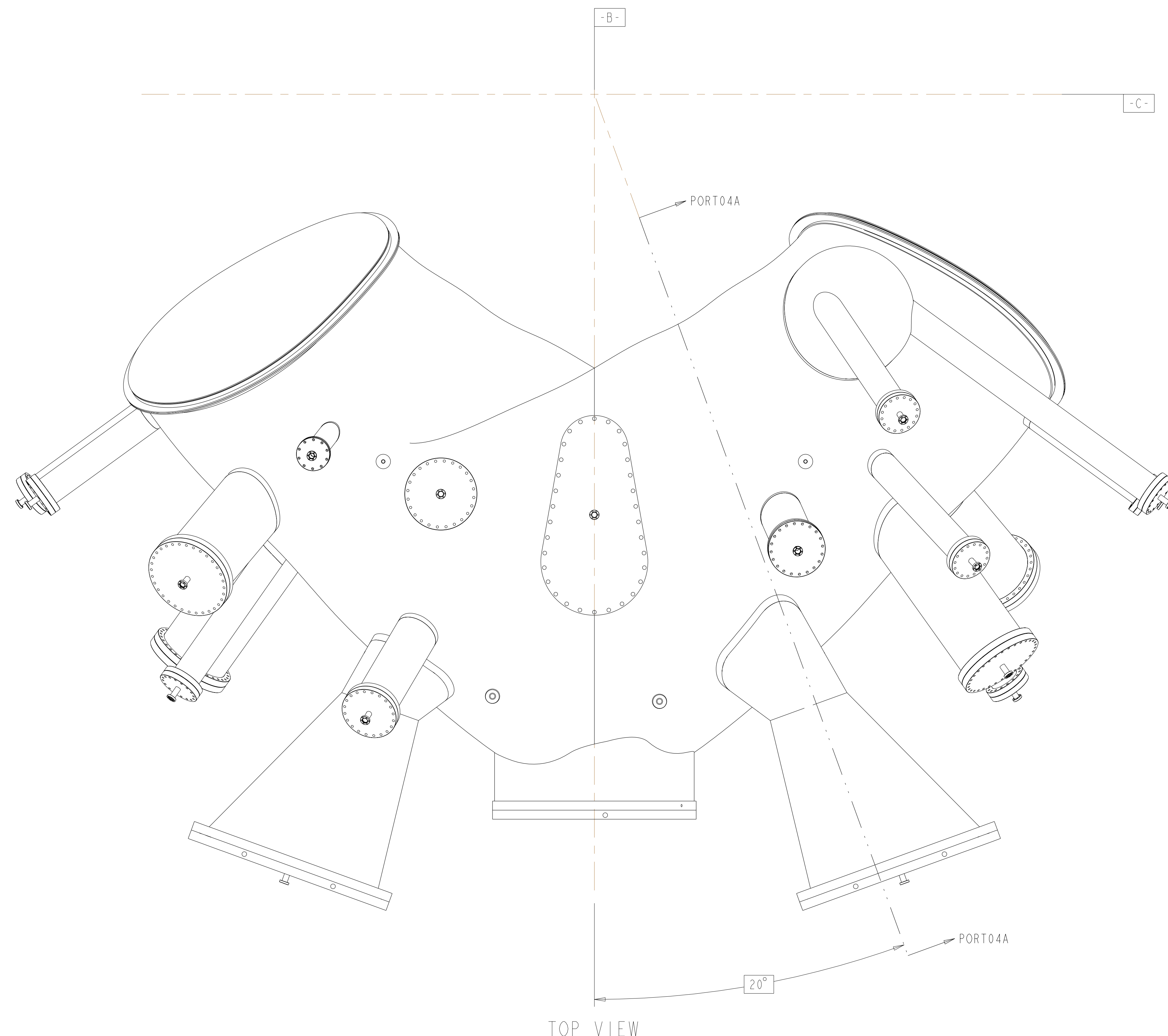
**RELEASED FOR
 FABRICATION / INSTALLATION**
 PPPL Drafting:

UT-BATTELLE		Oak Ridge National Laboratory managed for the DEPARTMENT OF ENERGY under U.S. GOVERNMENT contract DE-AC05-00OR22725 UT-BATTELLE, LLC, Oak Ridge, Tennessee					
PROJECT NAME							
NATIONAL COMPACT STELLARATOR EXPERIMENT							
VACUUM VESSEL							
PERIOD INSPECTION AND LEAK CHECK							
ASSEMBLY							
VERSION NO.	PLANT	BLDG	FL	SHT OF	TYPE	CLASS	
1	X-10	5700	3	4	19	A	U
RELEASE LEVEL							
Fabrication		SE120-004					

H
 G
 F
 E
 D
 C
 B
 A

SE120-004

FOR PARTS LIST AND NOTES SEE SHEET 1.

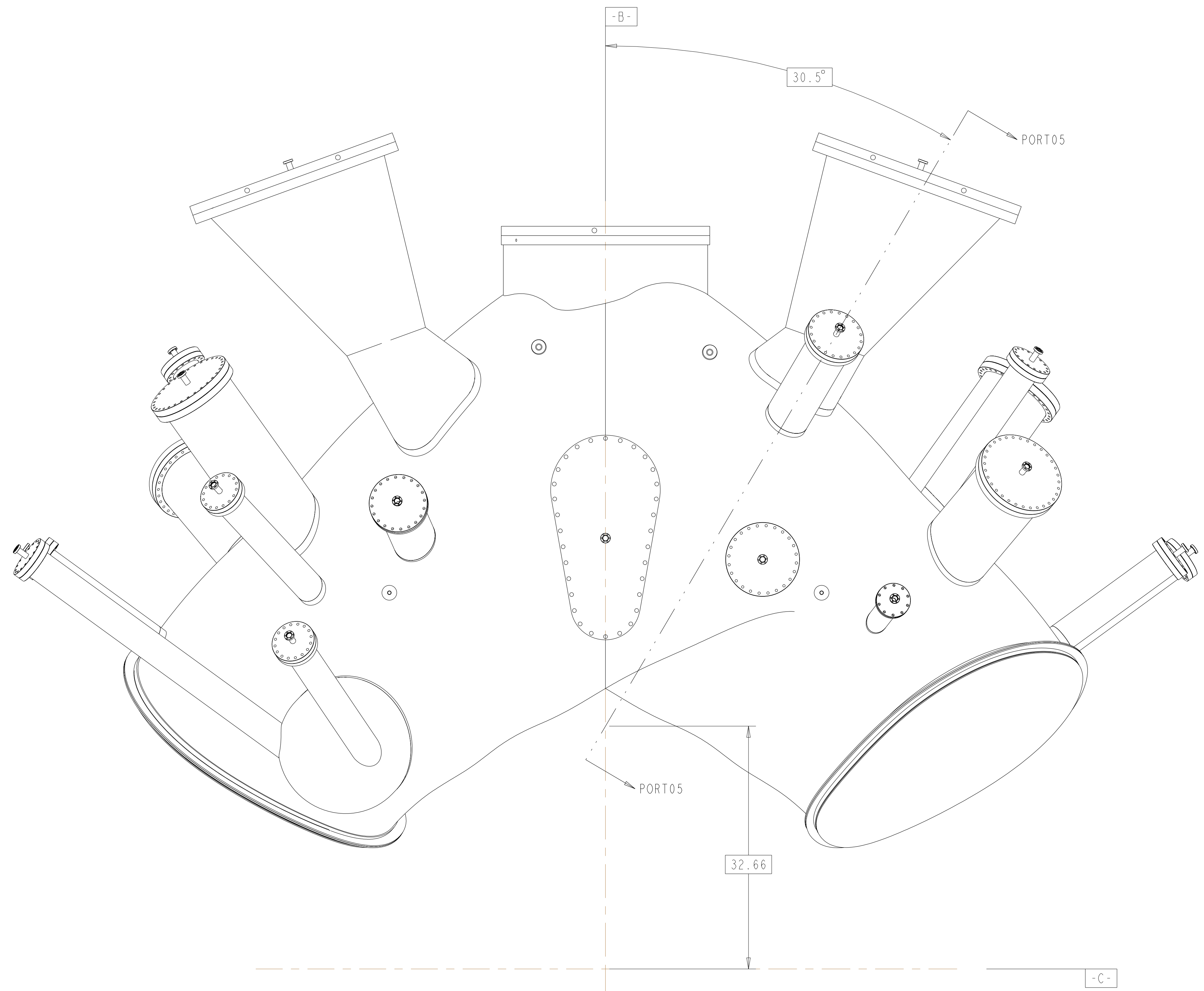


RELEASED FOR FABRICATION / INSTALLATION
 PPPL Drafting:

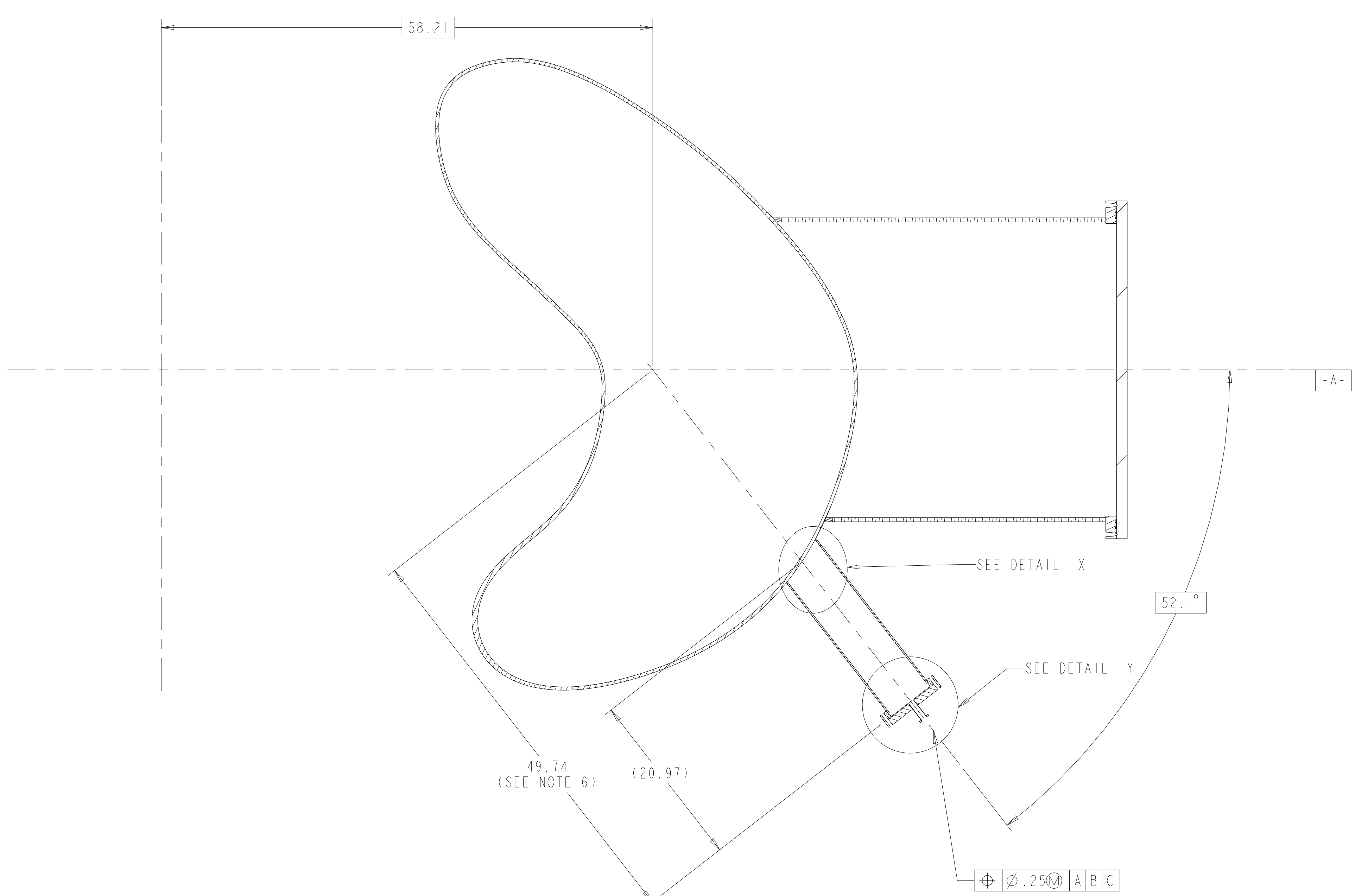
TYPICAL PORT 4A AND 4B
 SECTION PORT04A-PORT04A

Oak Ridge National Laboratory managed for the DEPARTMENT OF ENERGY under U.S. GOVERNMENT contract DE-AC05-00OR22725 UT-BATTELLE, LLC., Oak Ridge, Tennessee PROJECT NAME						
NATIONAL COMPACT STELLERATOR EXPERIMENT VACUUM VESSEL PERIOD INSPECTION AND LEAK CHECK ASSEMBLY						
VERSION NO.	PLANT	BLDG	FL	SHT OF	TYPE	CLASS
1	X-10	5700	3	5 19	A	U
RELEASE LEVEL		SE120-004				
Fabrication		1				

H
G
F
E
D
C
B
A

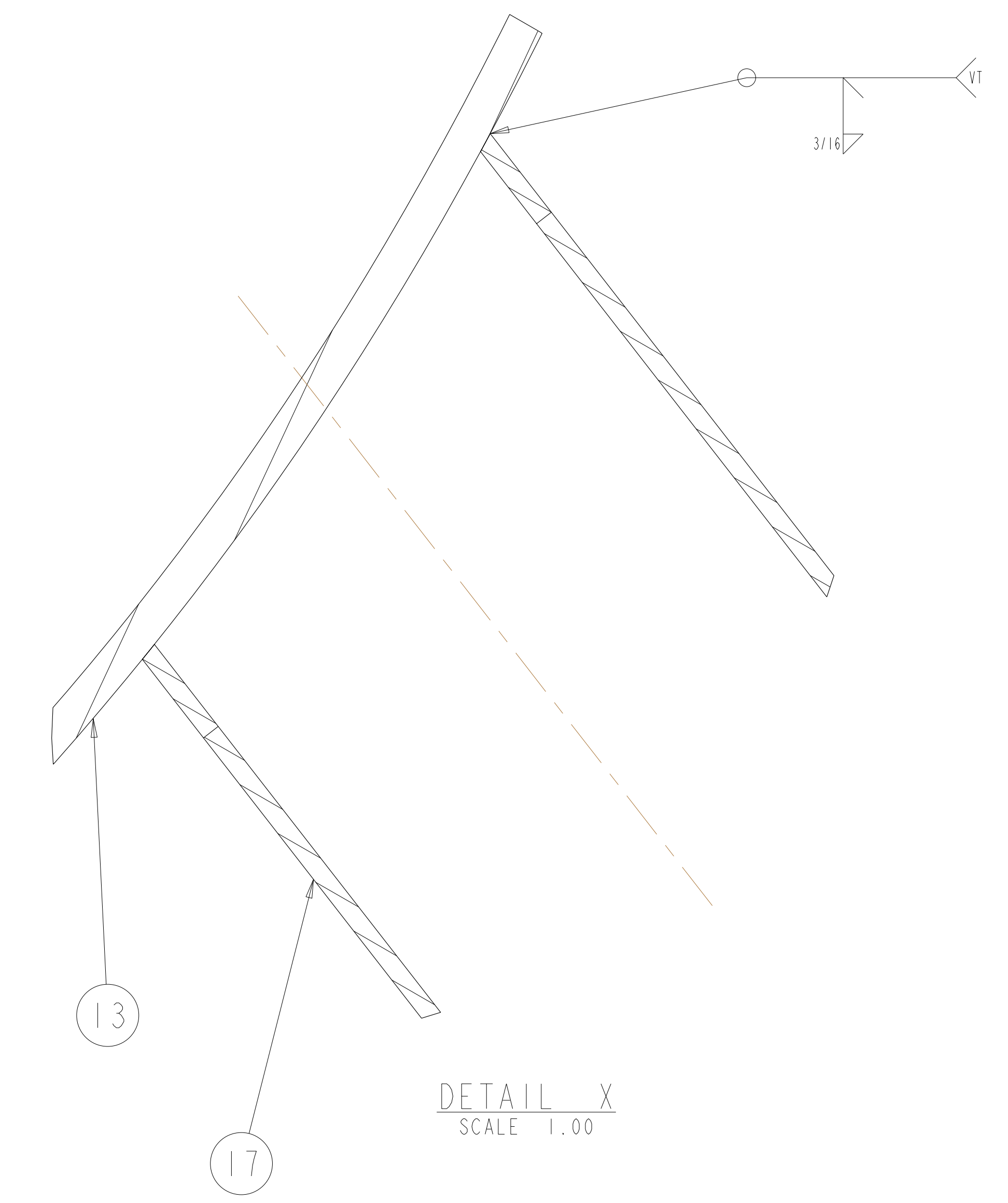


BOTTOM VIEW

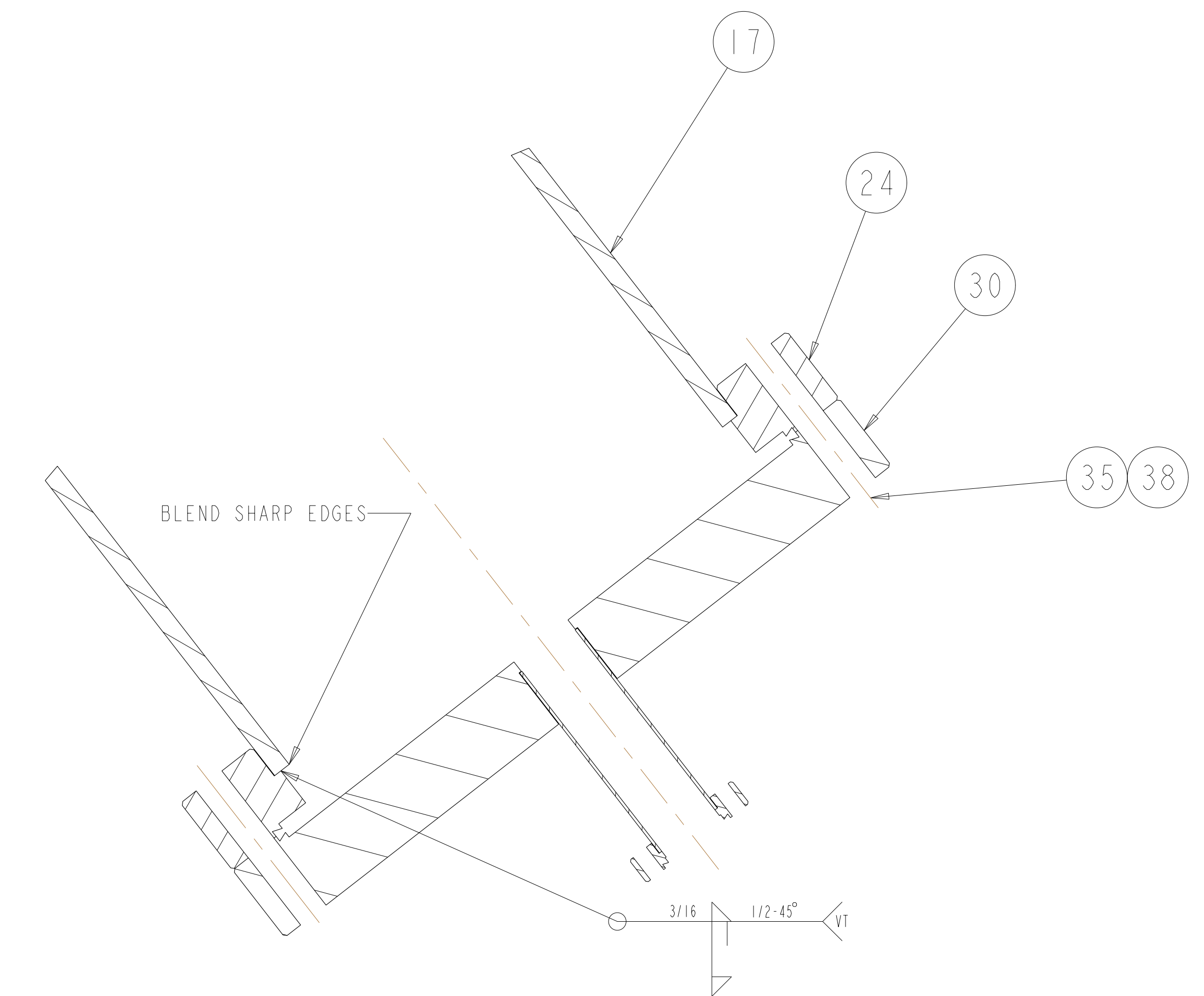


TYPICAL PORT 5A AND 5B SECTION PORT05-PORT05

FOR PARTS LIST AND NOTES SEE SHEET 1.



DETAIL X
SCALE 1.00

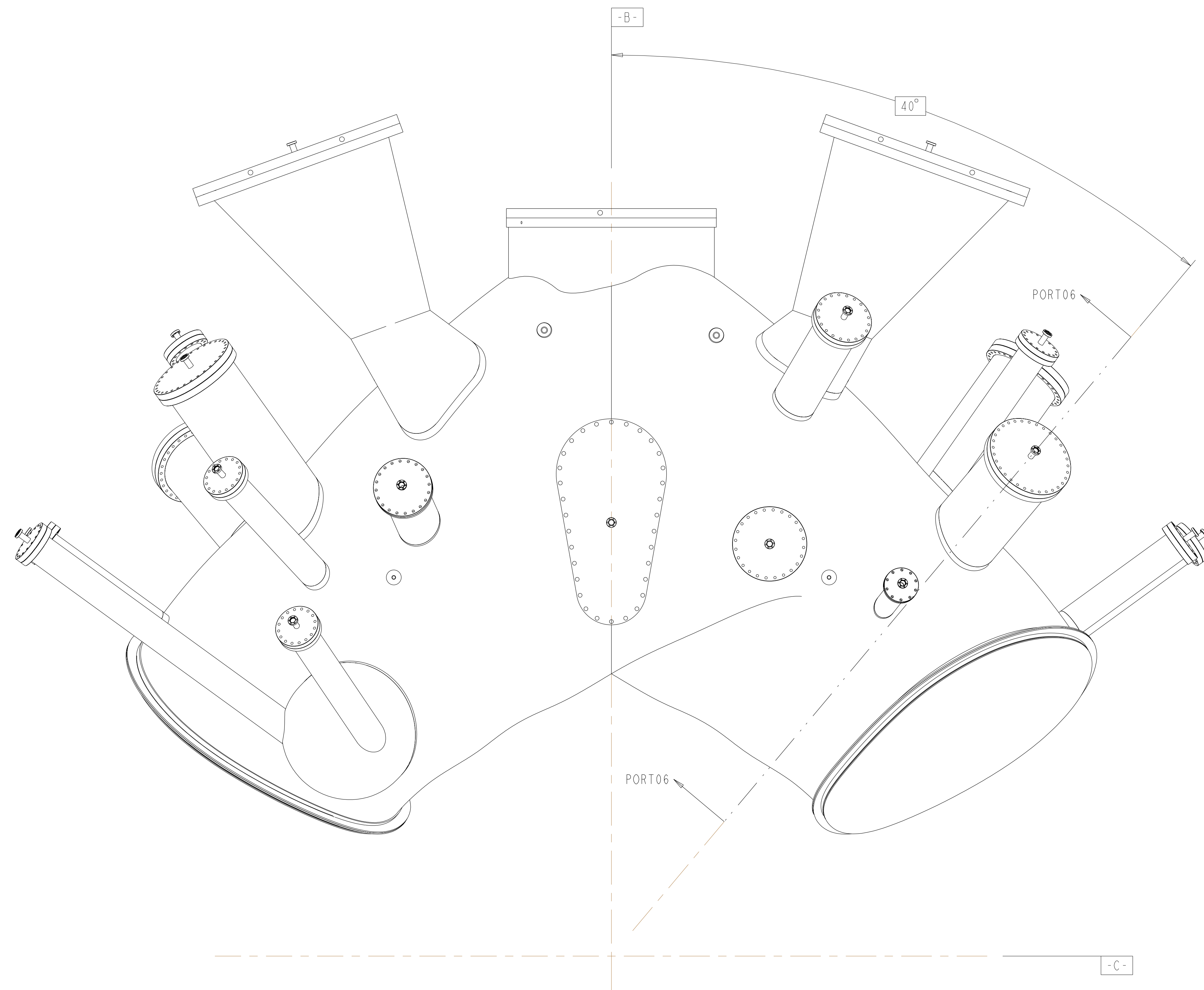


DETAIL Y
SCALE 1.00

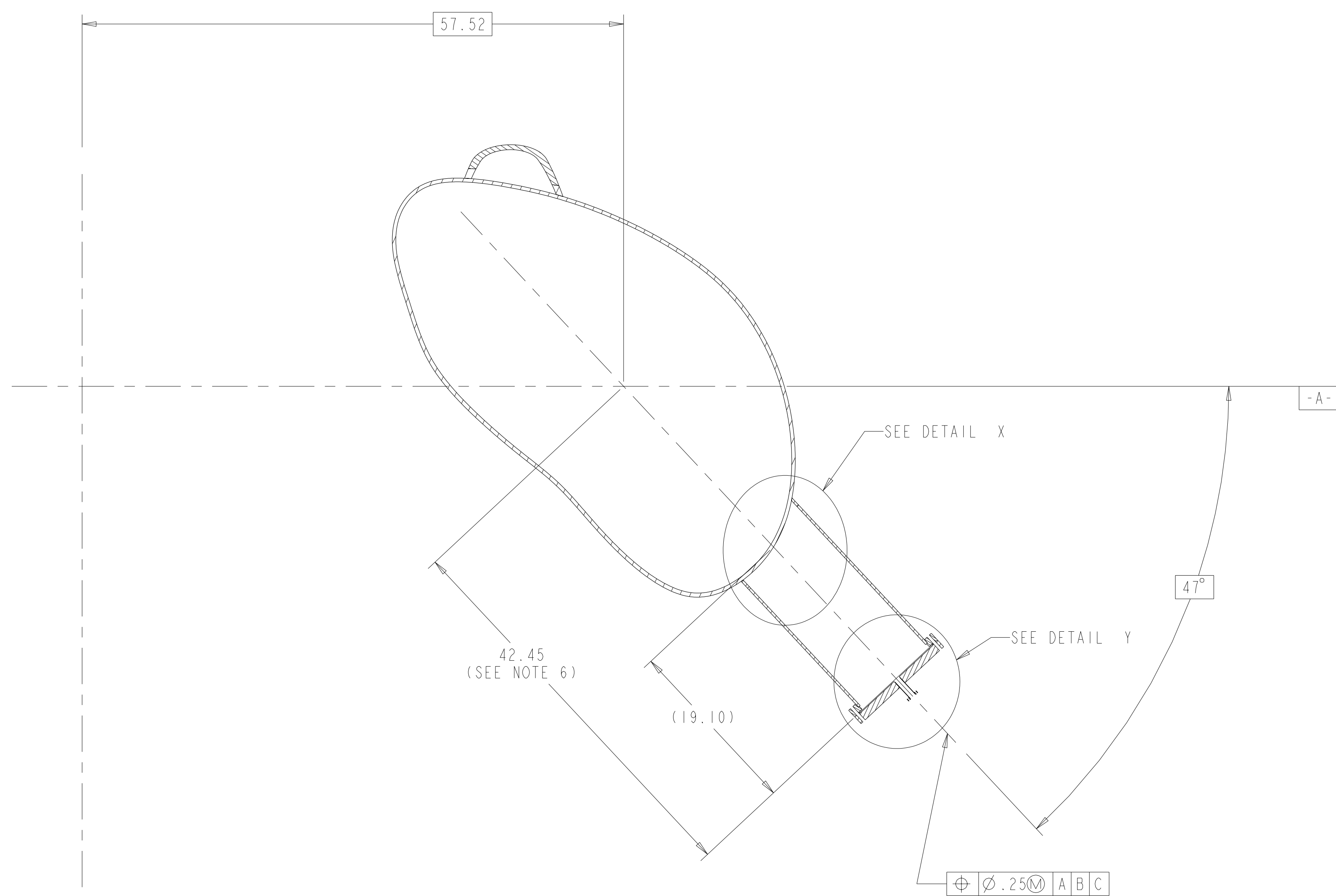
RELEASED FOR FABRICATION / INSTALLATION
 PPPL Drafting:

UT-BATTELLE		Oak Ridge National Laboratory managed for the DEPARTMENT OF ENERGY under U.S. GOVERNMENT contract DE-AC05-00OR22725 UT-BATTELLE, LLC, Oak Ridge, Tennessee					
PROJECT NAME							
NATIONAL COMPACT STELLARATOR EXPERIMENT							
VACUUM VESSEL							
PERIOD INSPECTION AND LEAK CHECK							
ASSEMBLY							
VERSION NO.	PLANT	BLDG	FL	SHT OF	TYPE	CLASS	
1	X-10	5700	3	6	19	A	U
RELEASE LEVEL							
Fabrication		SE120-004					

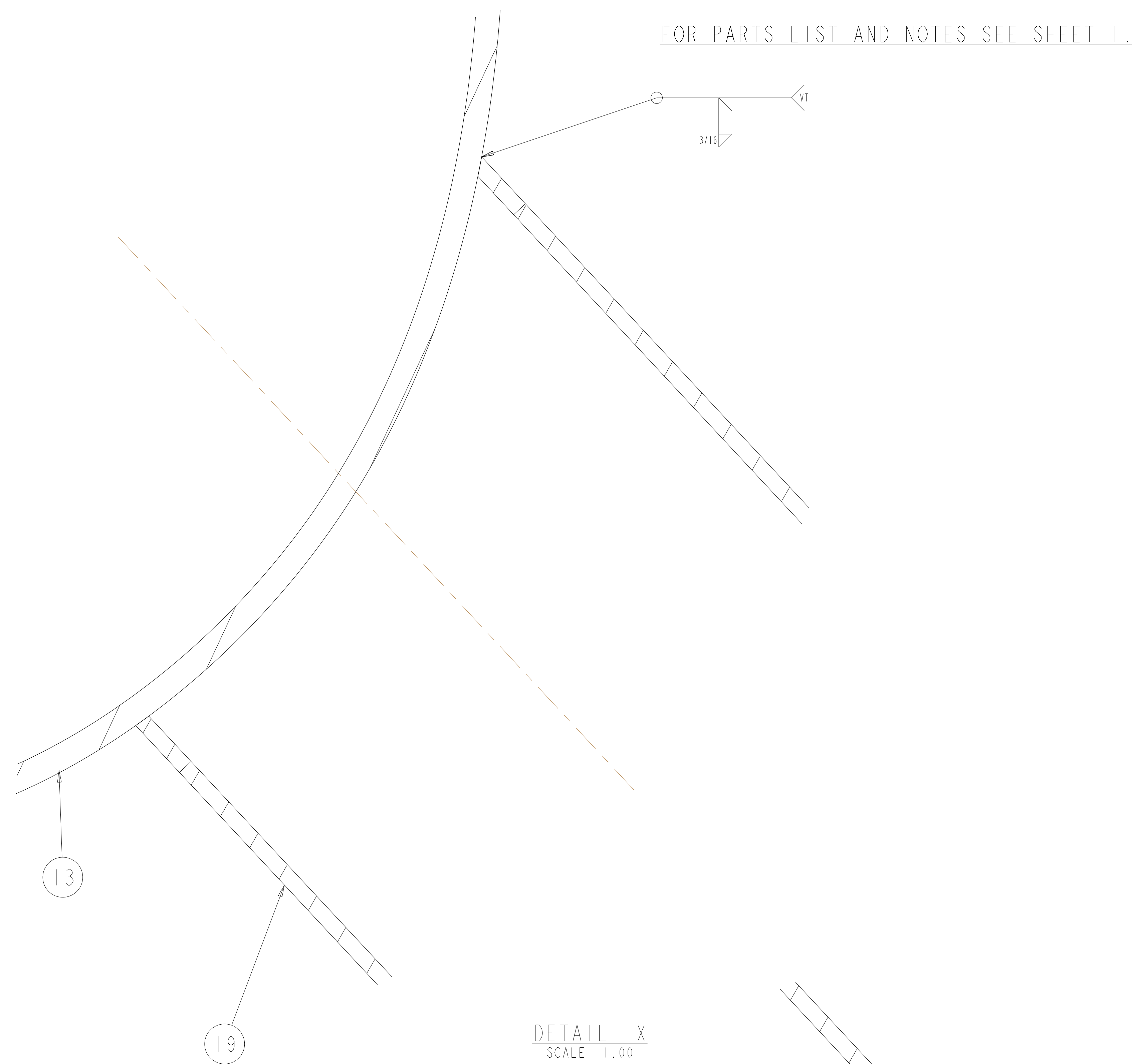
H
G
F
E
D
C
B
A



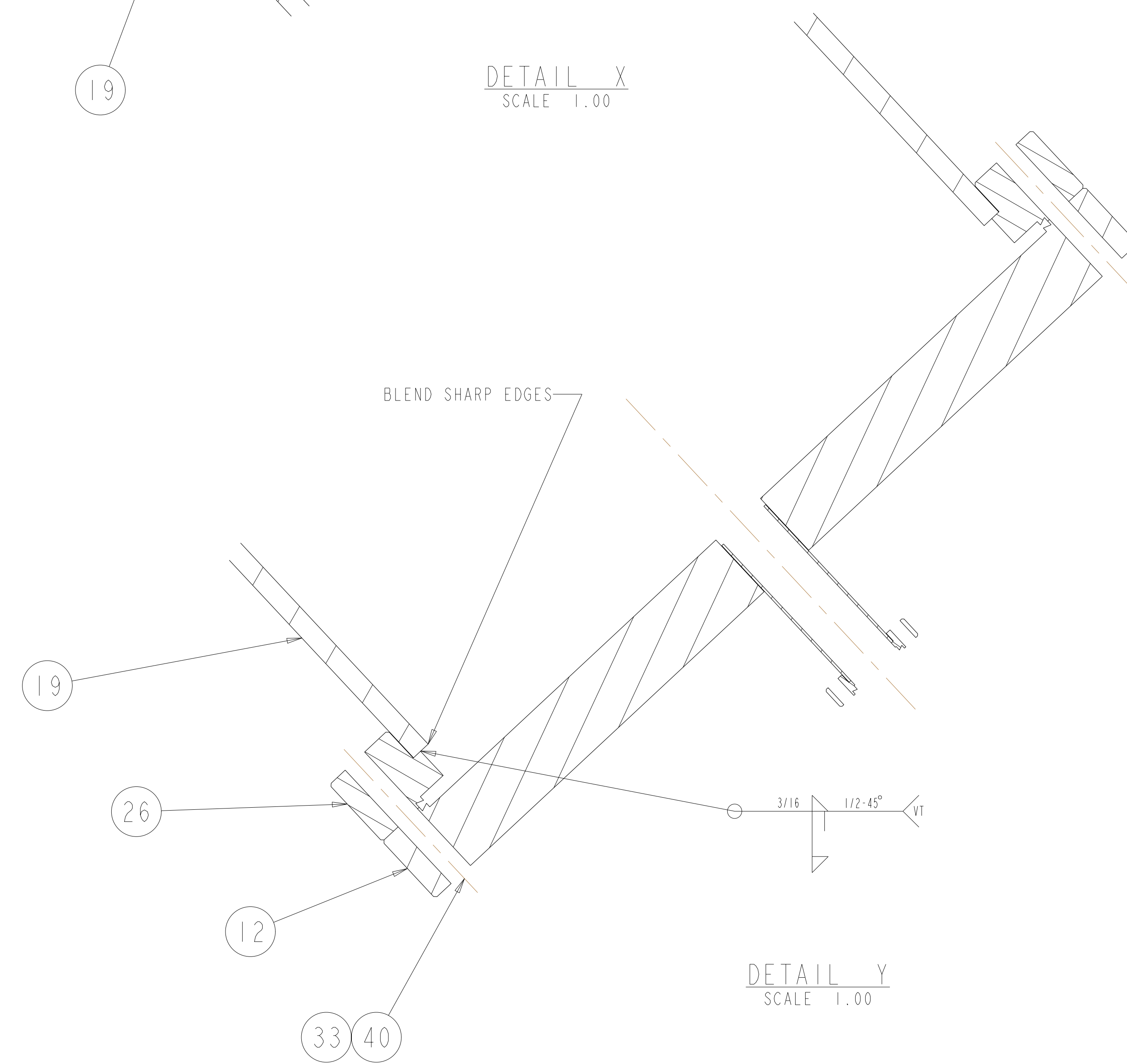
BOTTOM VIEW



TYPICAL PORT 6A AND 6B SECTION PORT06-PORT06



DETAIL X SCALE 1.00



DETAIL Y SCALE 1.00

RELEASED FOR FABRICATION / INSTALLATION

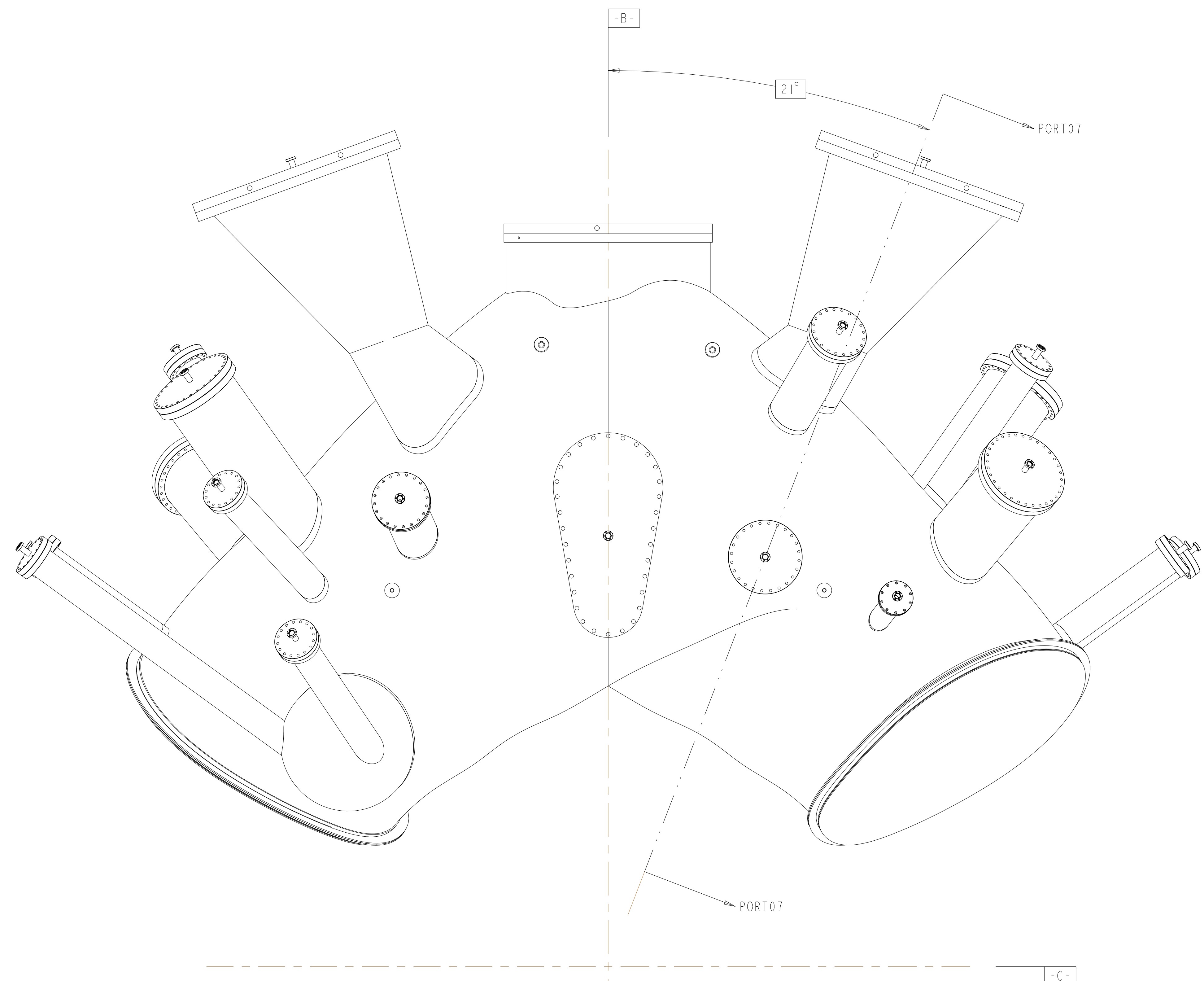
PPPL Drafting:

UT-BATTELLE		Oak Ridge National Laboratory managed for the DEPARTMENT OF ENERGY under U.S. GOVERNMENT contract DE-AC05-00OR22725 UT-BATTELLE, LLC, Oak Ridge, Tennessee					
PROJECT NAME		NATIONAL COMPACT STELLARATOR EXPERIMENT					
RELEASE LEVEL		VACUUM VESSEL PERIOD INSPECTION AND LEAK CHECK ASSEMBLY					
VERSION NO.	PLANT	BLDG	FL	SHT OF	TYPE	CLASS	
1	X-10	5700	3	7 19	A	U	
RELEASE LEVEL		SE120-004					
Fabrication							

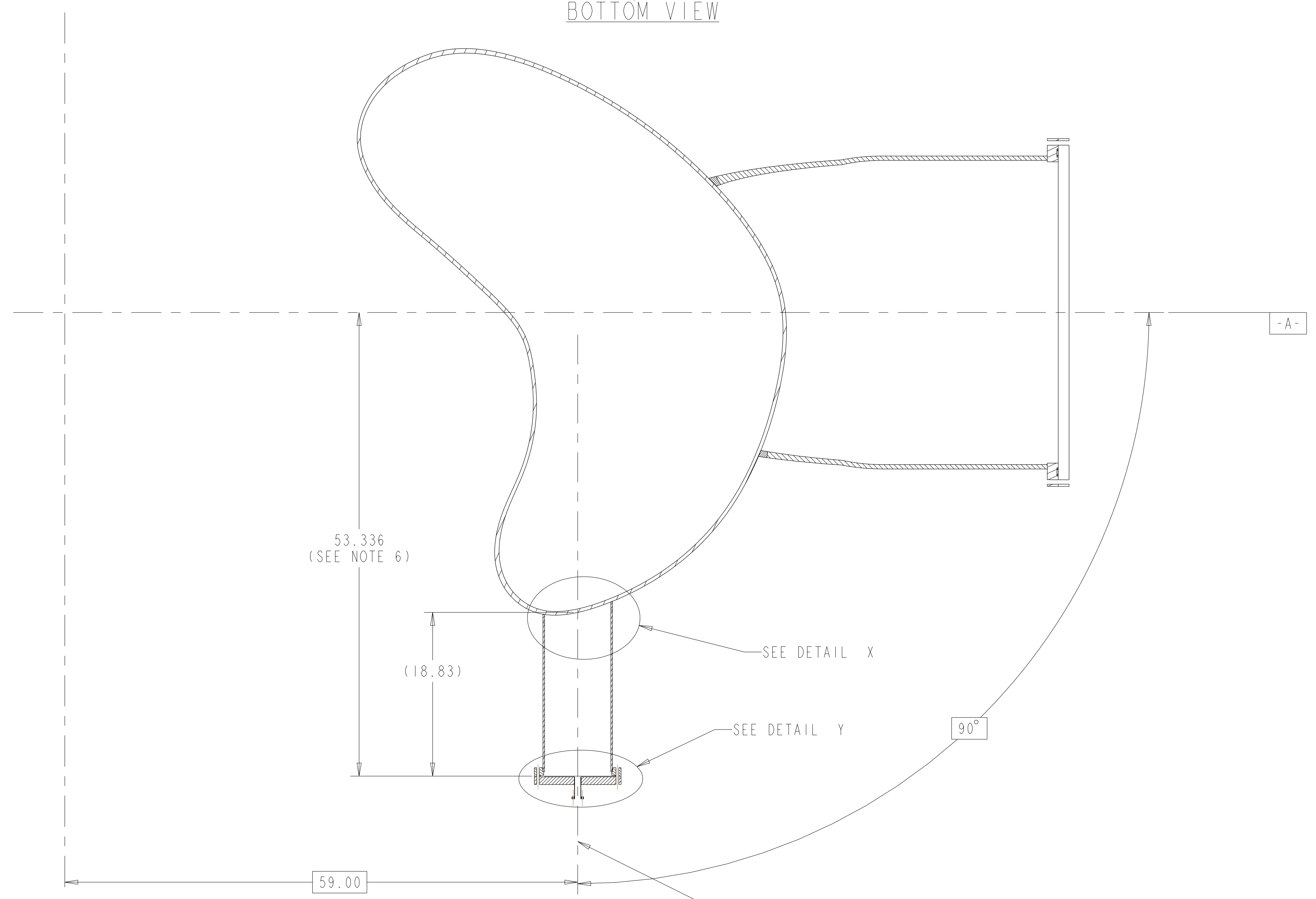
SE120-004

A

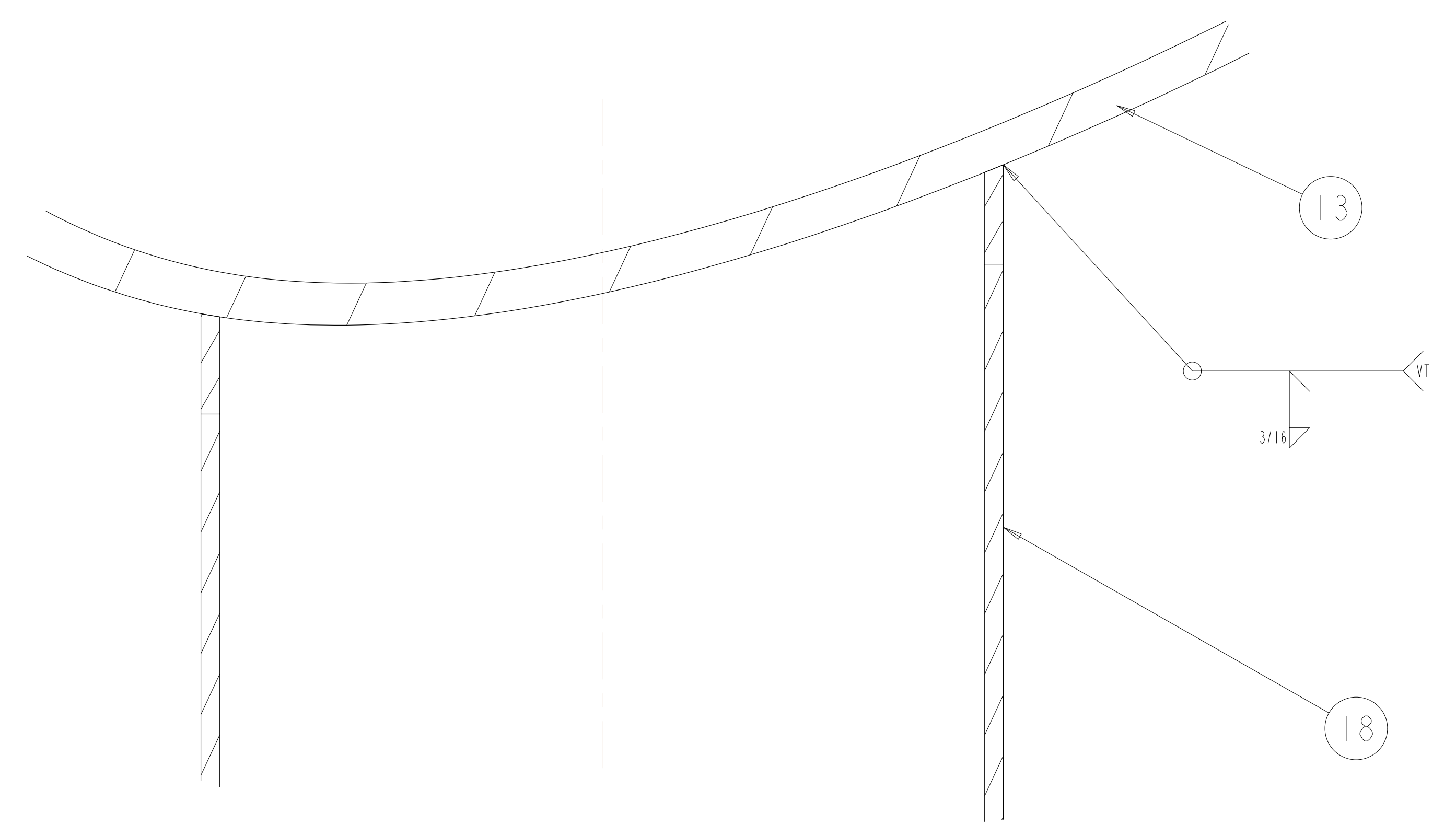
FOR PARTS LIST AND NOTES SEE SHEET 1.



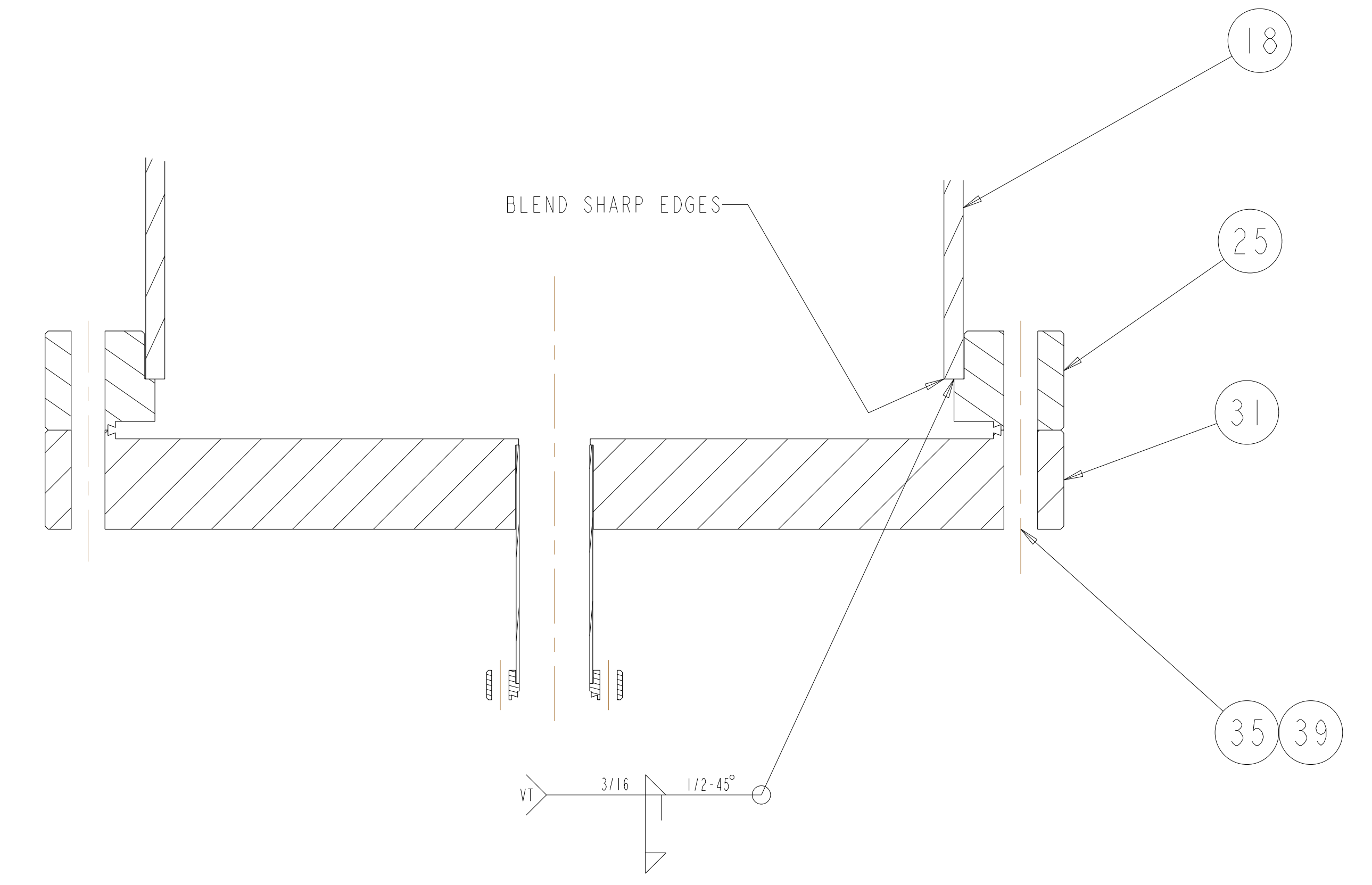
BOTTOM VIEW



TYPICAL PORT 7A AND 7B SECTION PORT07-PORT07



DETAIL X
SCALE 1.00



DETAIL Y
SCALE 1.00

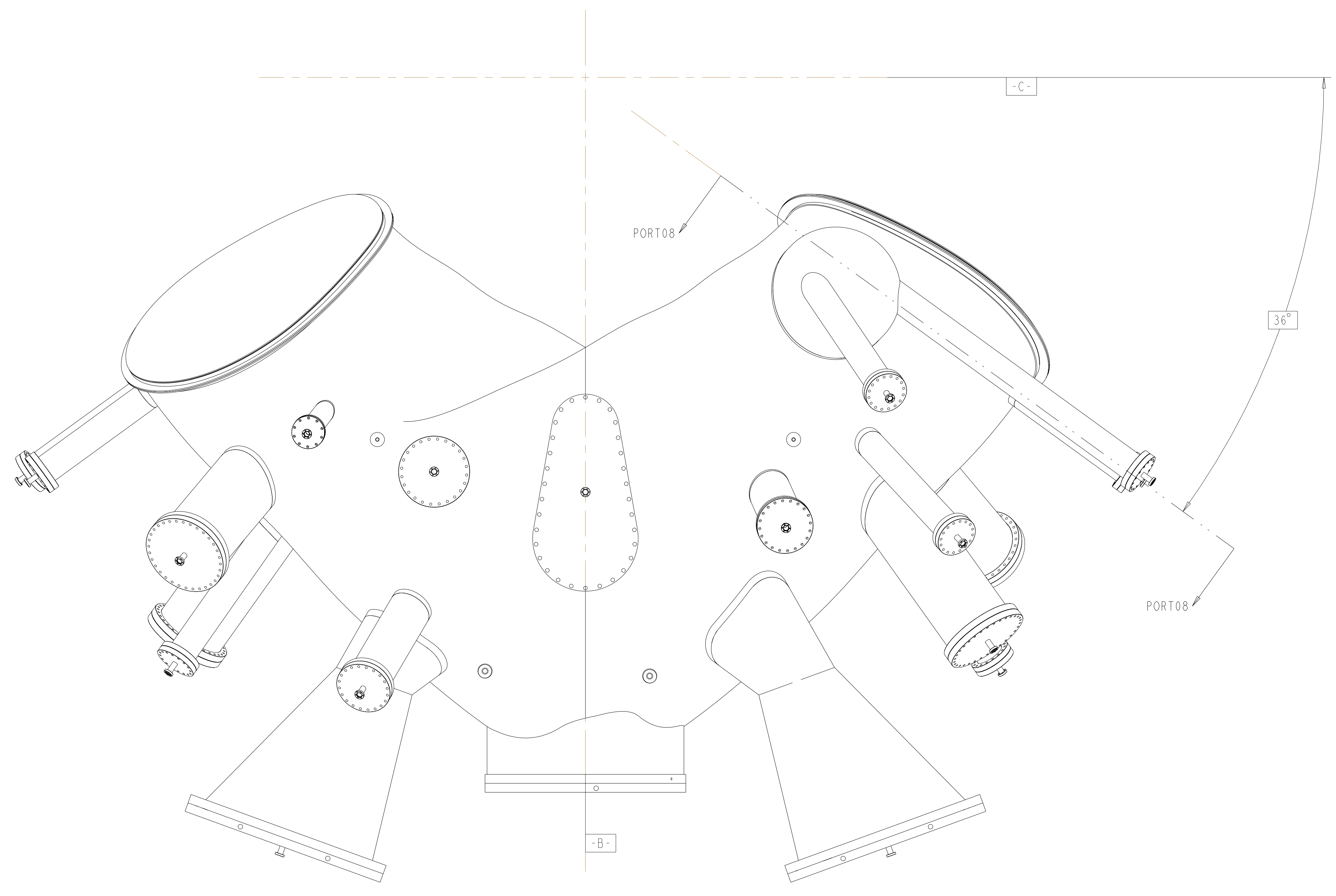
RELEASED FOR FABRICATION / INSTALLATION
 PPPL Drafting:

UT-BATTELLE		Oak Ridge National Laboratory managed for the DEPARTMENT OF ENERGY under U.S. GOVERNMENT contract DE-AC05-00OR22725 UT-BATTELLE, LLC, Oak Ridge, Tennessee	
PROJECT NAME			
NATIONAL COMPACT STELLARATOR EXPERIMENT			
VACUUM VESSEL PERIOD INSPECTION AND LEAK CHECK ASSEMBLY			
VERSION NO.	PLANT	BLDG	FL SHT OF TYPE CLASS
1	X-10	5700	3 8 19 A U
RELEASE LEVEL		SE120-004	
Fabrication		REV I	

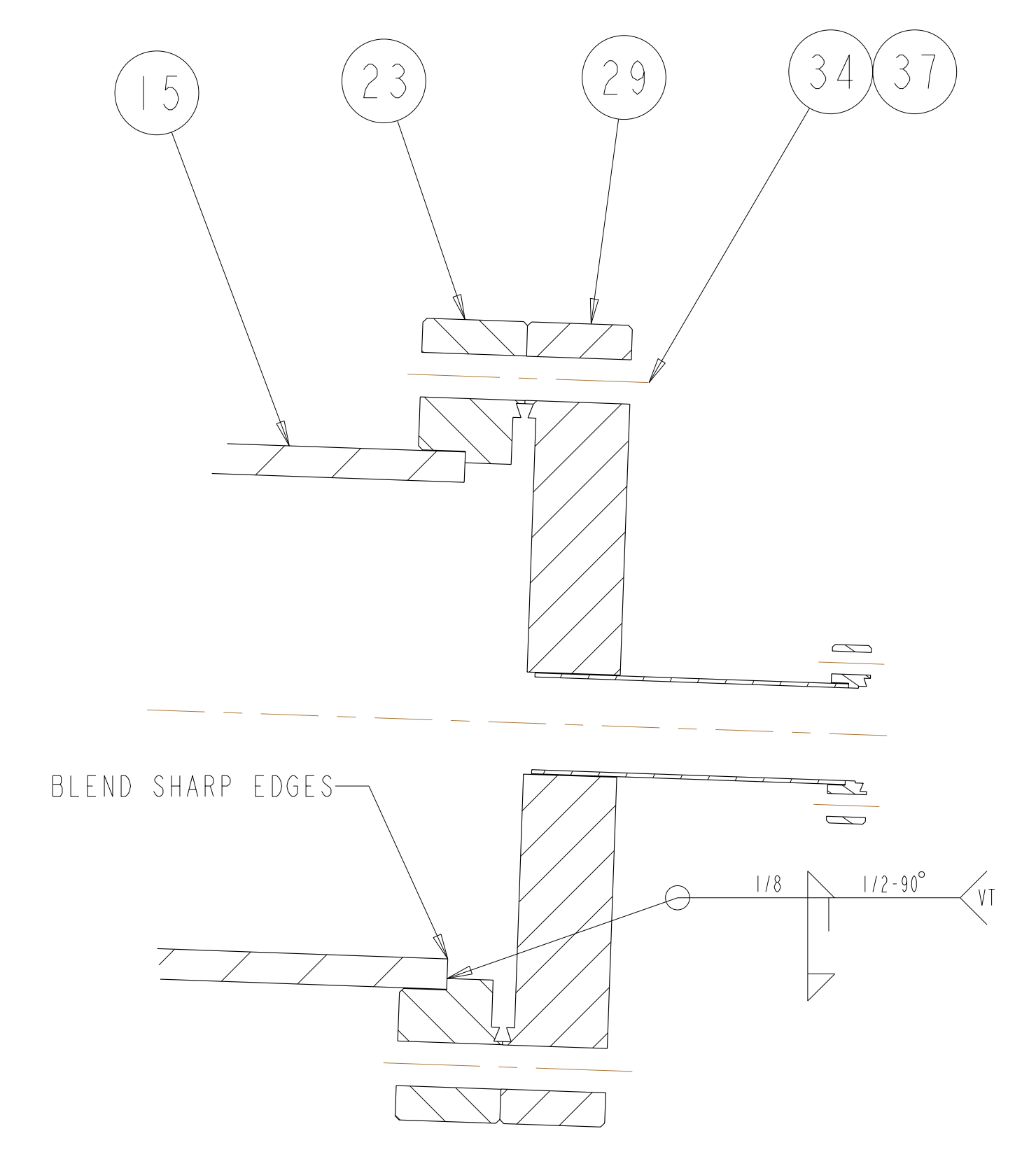
H
G
F
E
D
C
B
A

SE120-004

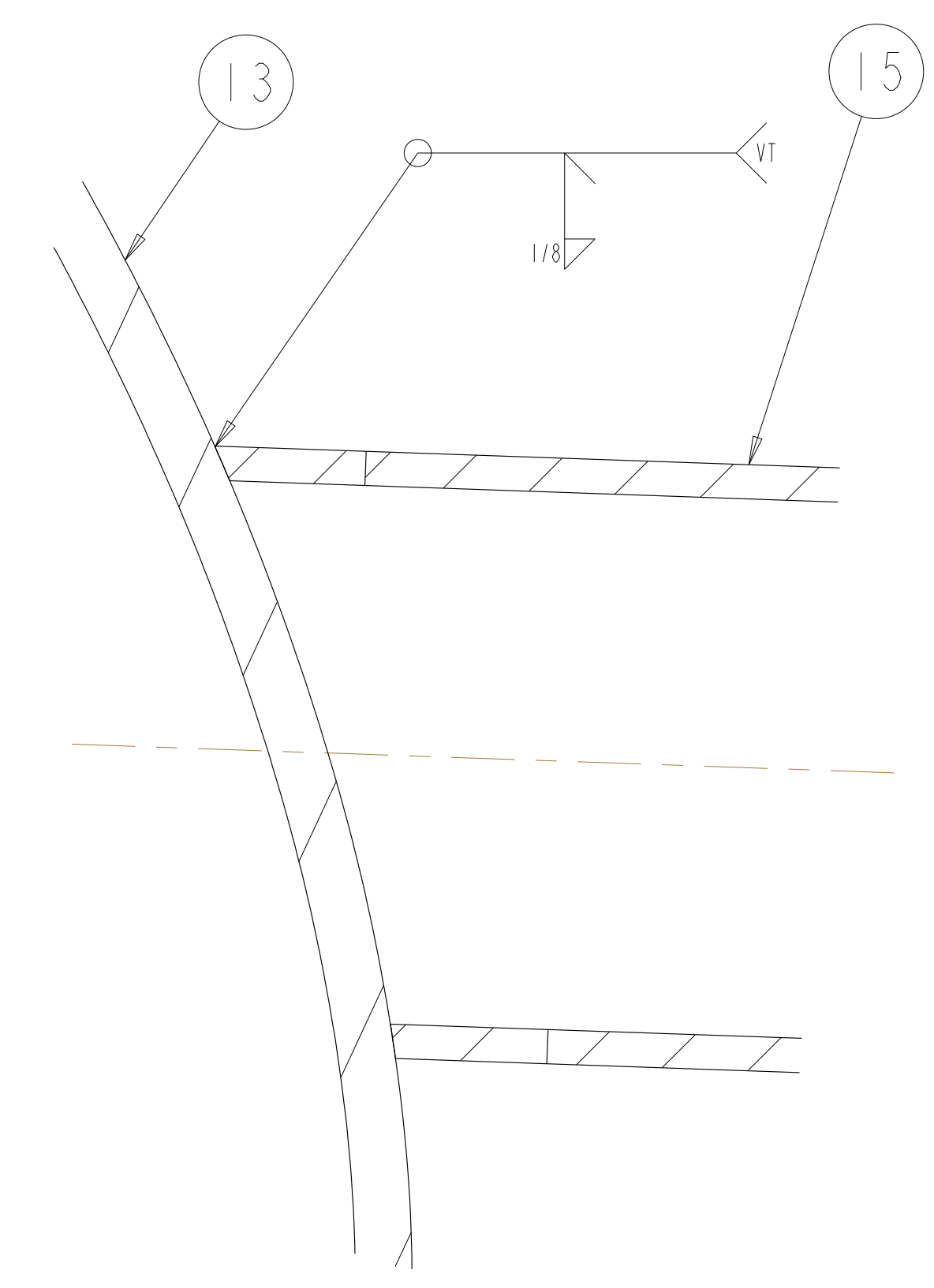
FOR PARTS LIST AND NOTES SEE SHEET 1.



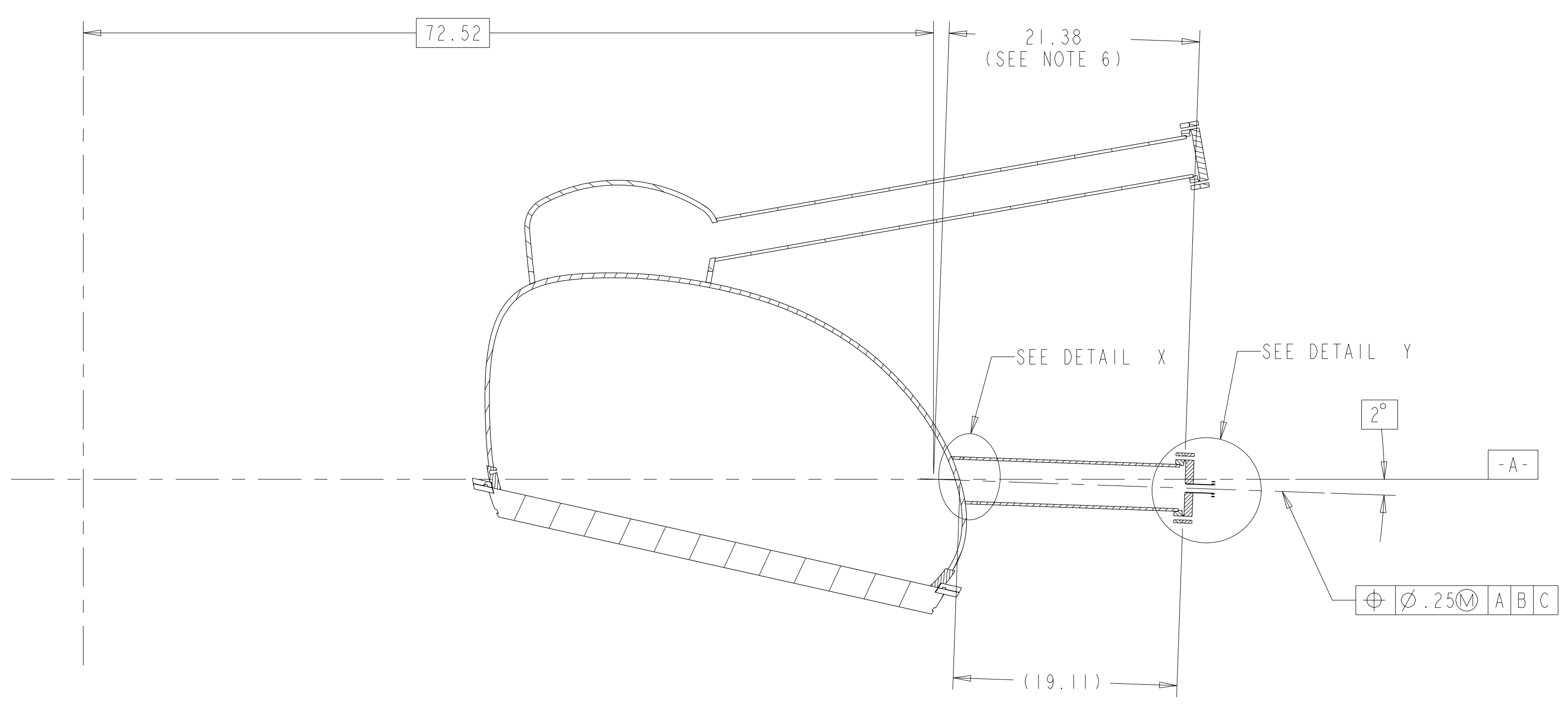
TOP VIEW



DETAIL Y
 SCALE 1.00



DETAIL X
 SCALE 1.00

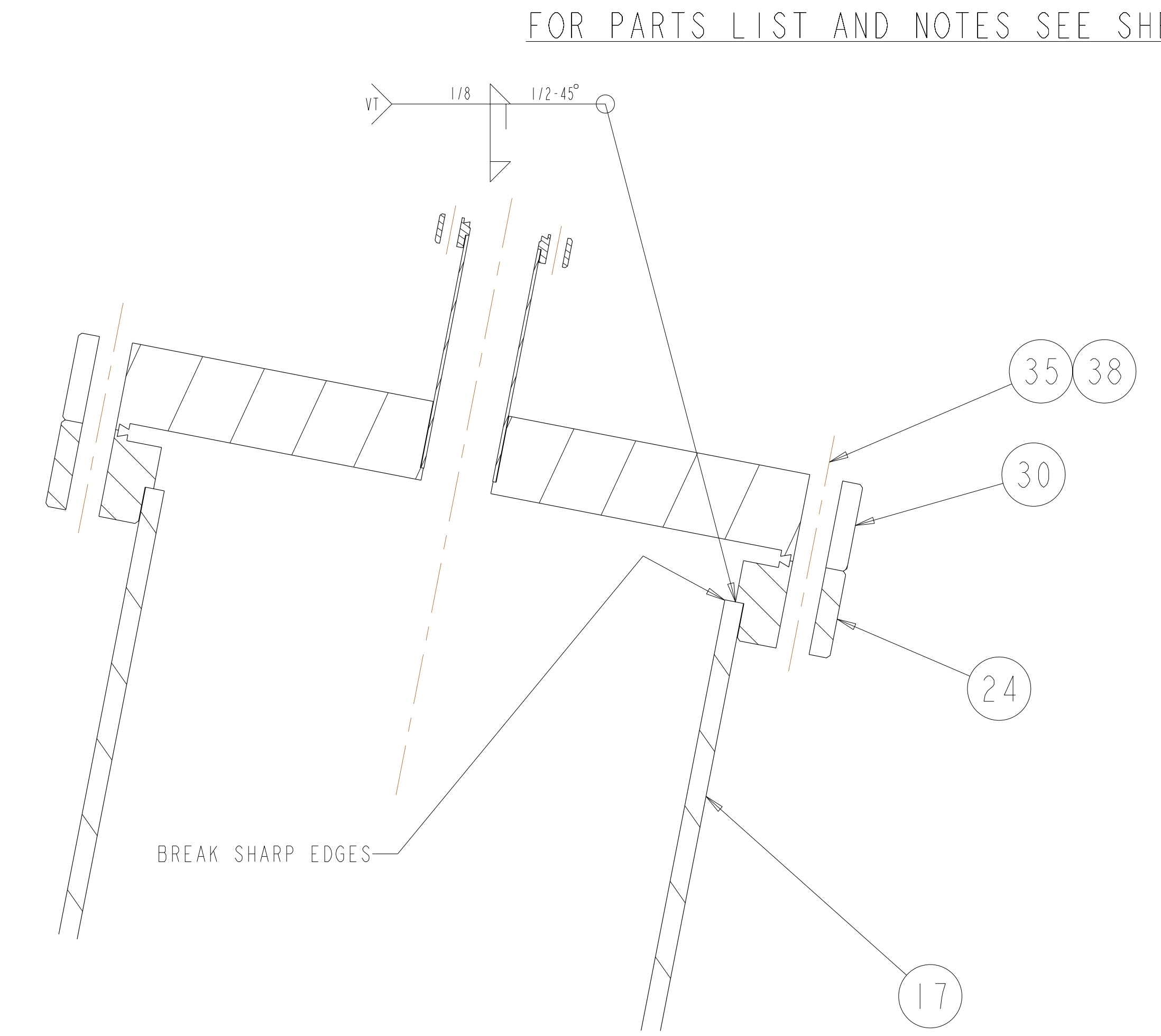
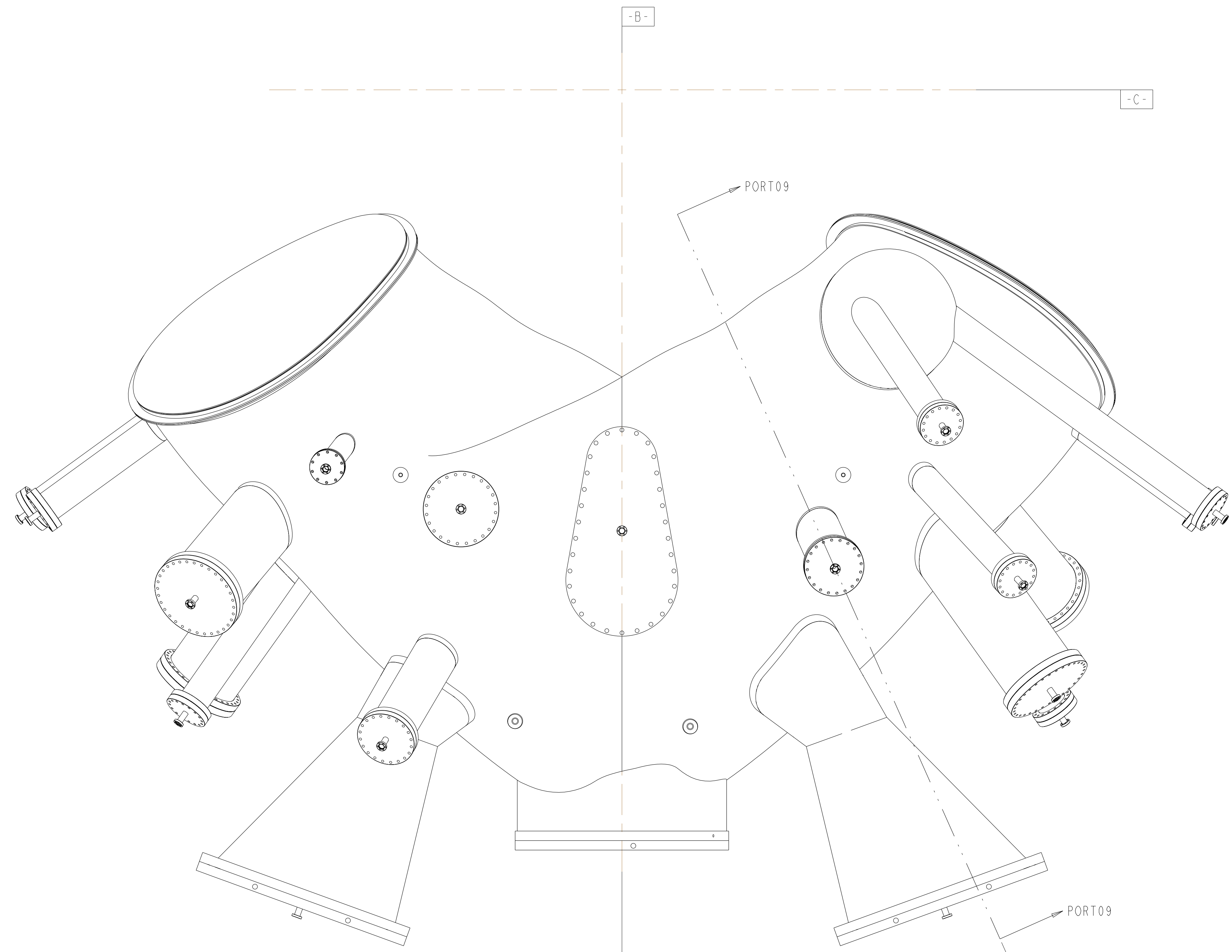


TYPICAL PORT 8A AND 8B
 SECTION PORT08-PORT08

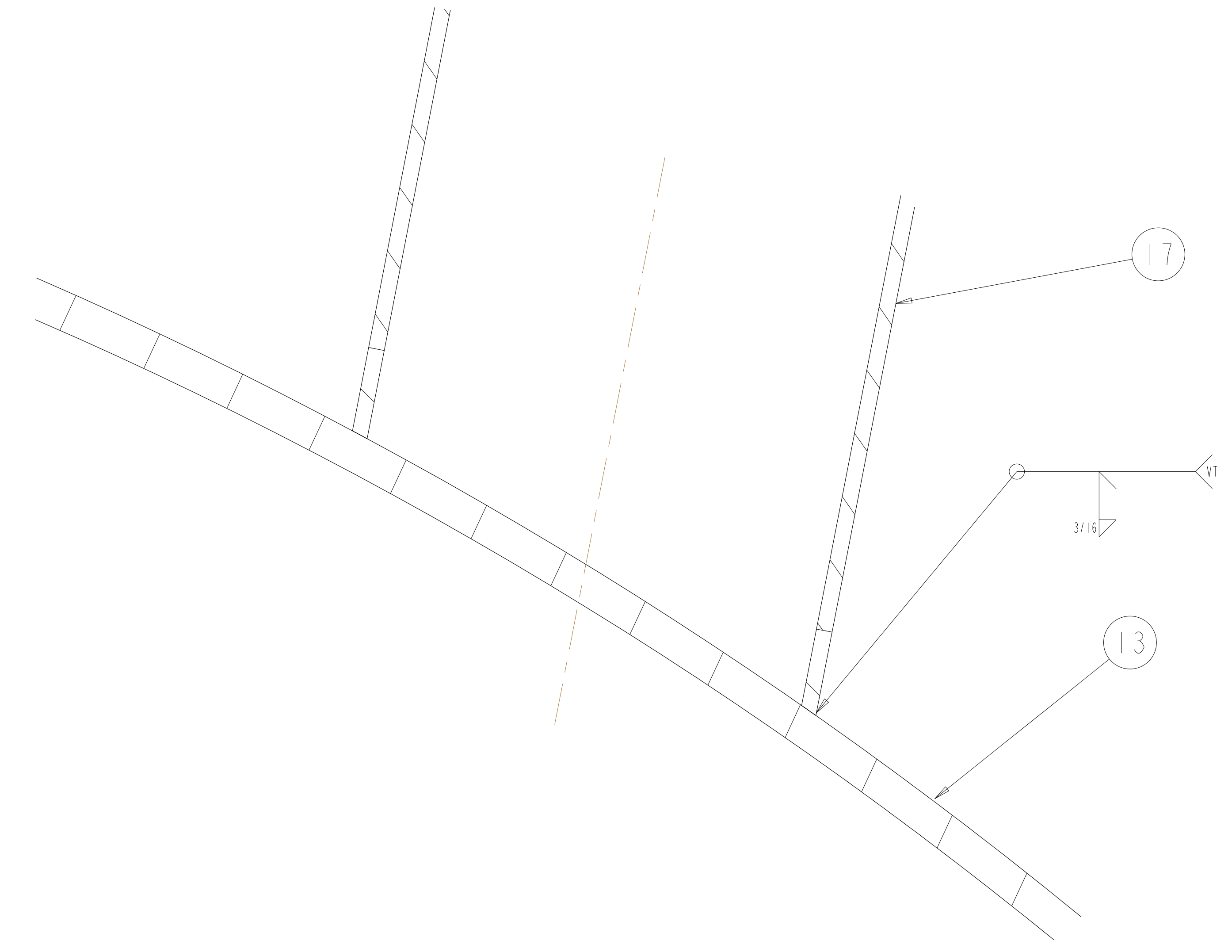
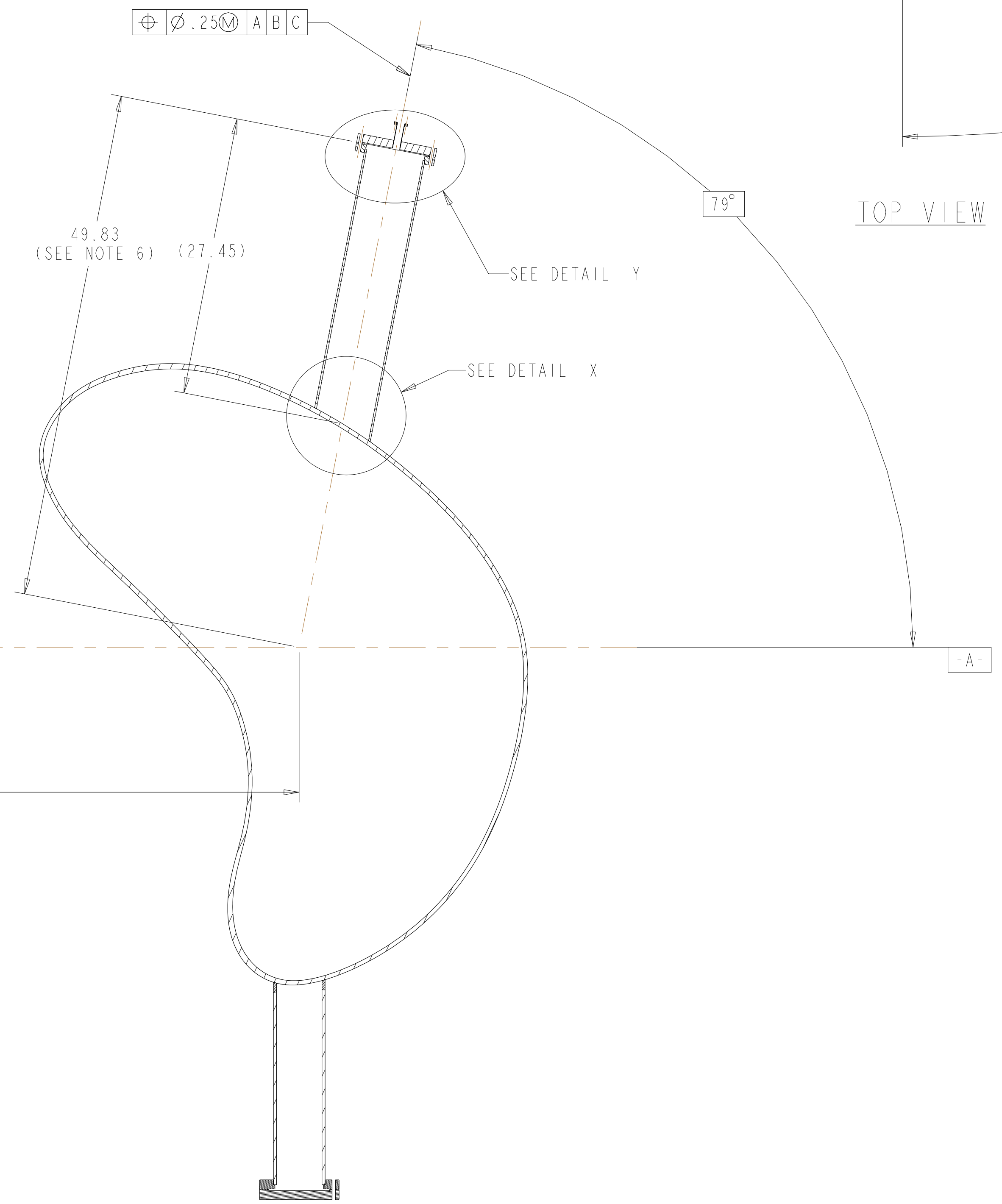
**RELEASED FOR
 FABRICATION / INSTALLATION**
 PPPL Drafting:

Oak Ridge National Laboratory managed for the DEPARTMENT OF ENERGY under U.S. GOVERNMENT contract DE-AC05-00OR22725 UT-BATTELLE, LLC., Oak Ridge, Tennessee PROJECT NAME						
NATIONAL COMPACT STELLERATOR EXPERIMENT VACUUM VESSEL PERIOD INSPECTION AND LEAK CHECK ASSEMBLY						
VERSION NO.	PLANT	BLDG	FL	SHT OF	TYPE	CLASS
1	X-10	5700	3	9 19	A	U
RELEASE LEVEL	SE120-004					
Fabrication	1					

SE120-004



DETAIL Y
 SCALE 1.00



DETAIL X
 SCALE 1.00

**RELEASED FOR
 FABRICATION / INSTALLATION**
 PPPL Drafting:

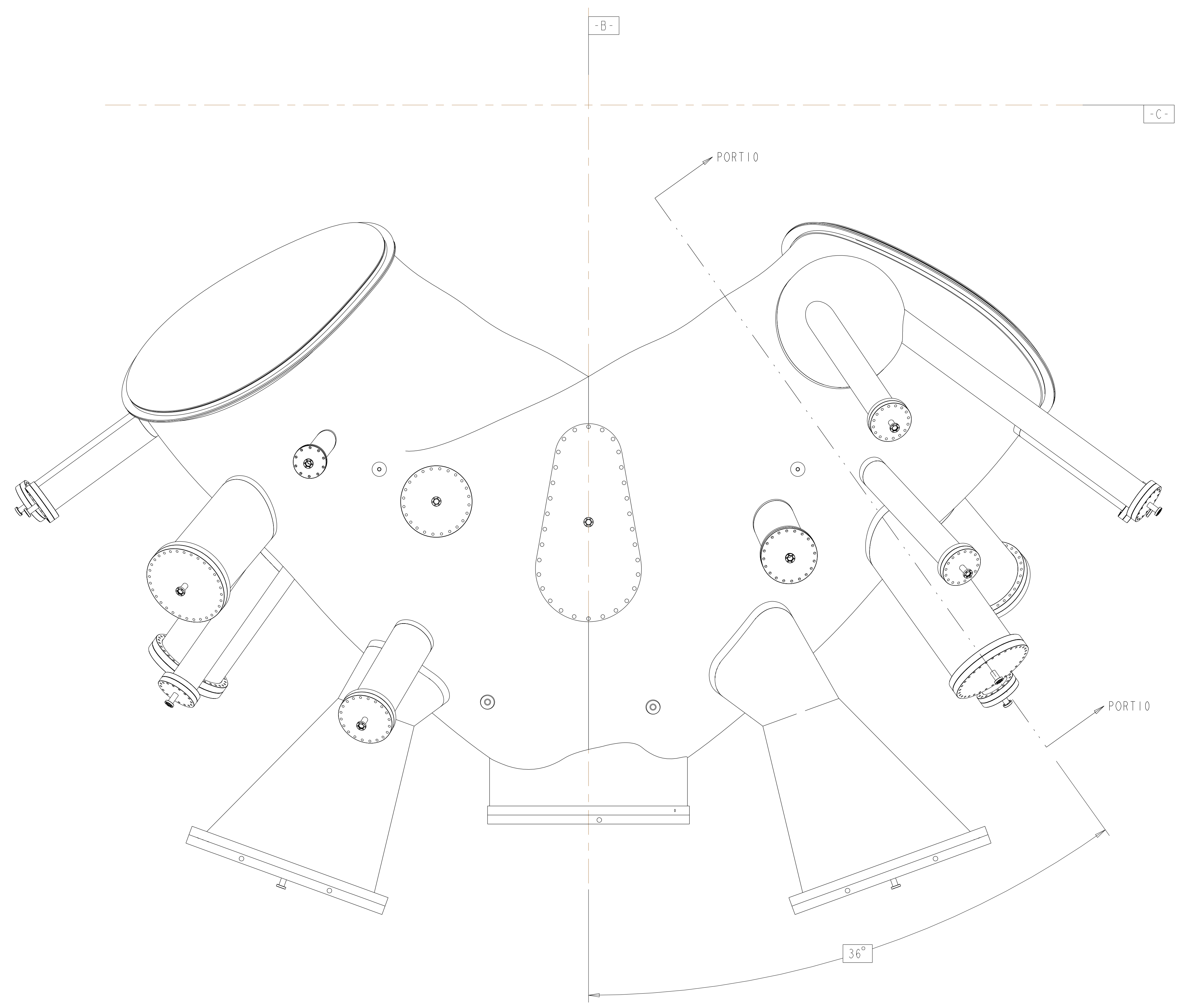
TYPICAL PORT 9A AND 9B
 SECTION PORT09-PORT09

UT-BATTELLE		Oak Ridge National Laboratory managed for the DEPARTMENT OF ENERGY under U.S. GOVERNMENT contract DE-AC05-00OR22725 UT-BATTELLE, LLC. Oak Ridge, Tennessee	
PROJECT NAME			
NATIONAL COMPACT STELLARATOR EXPERIMENT			
VACUUM VESSEL PERIOD INSPECTION AND LEAK CHECK ASSEMBLY			
VERSION NO.	PLANT	BLDG	FL
1	X-10	5700	3
RELEASE LEVEL	SHT OF	TYPE	CLASS
Fabrication	10	19	A
SEI20-004		REV	
1		U	

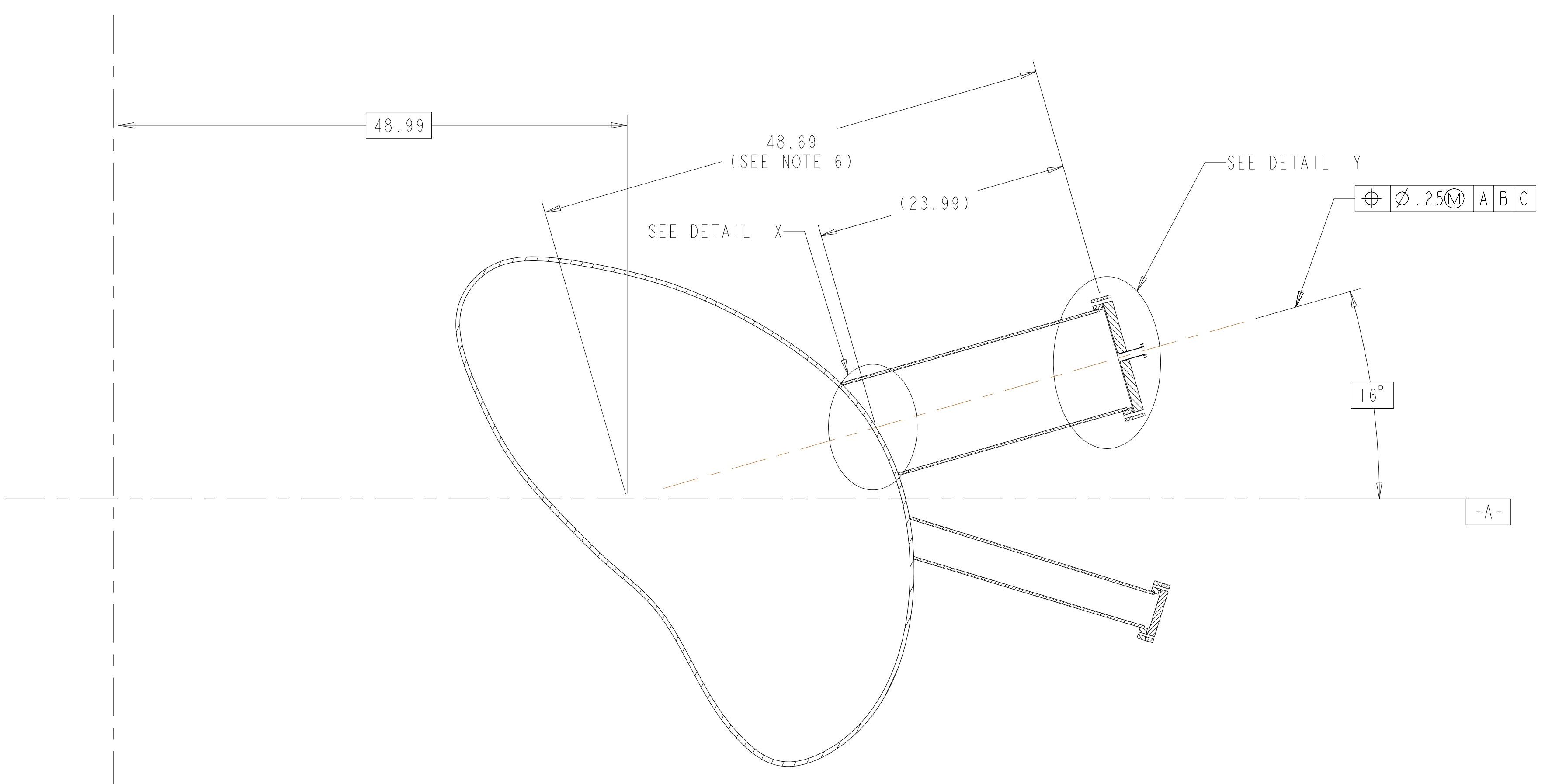
H
G
F
E
D
C
B
A

SEI20-004

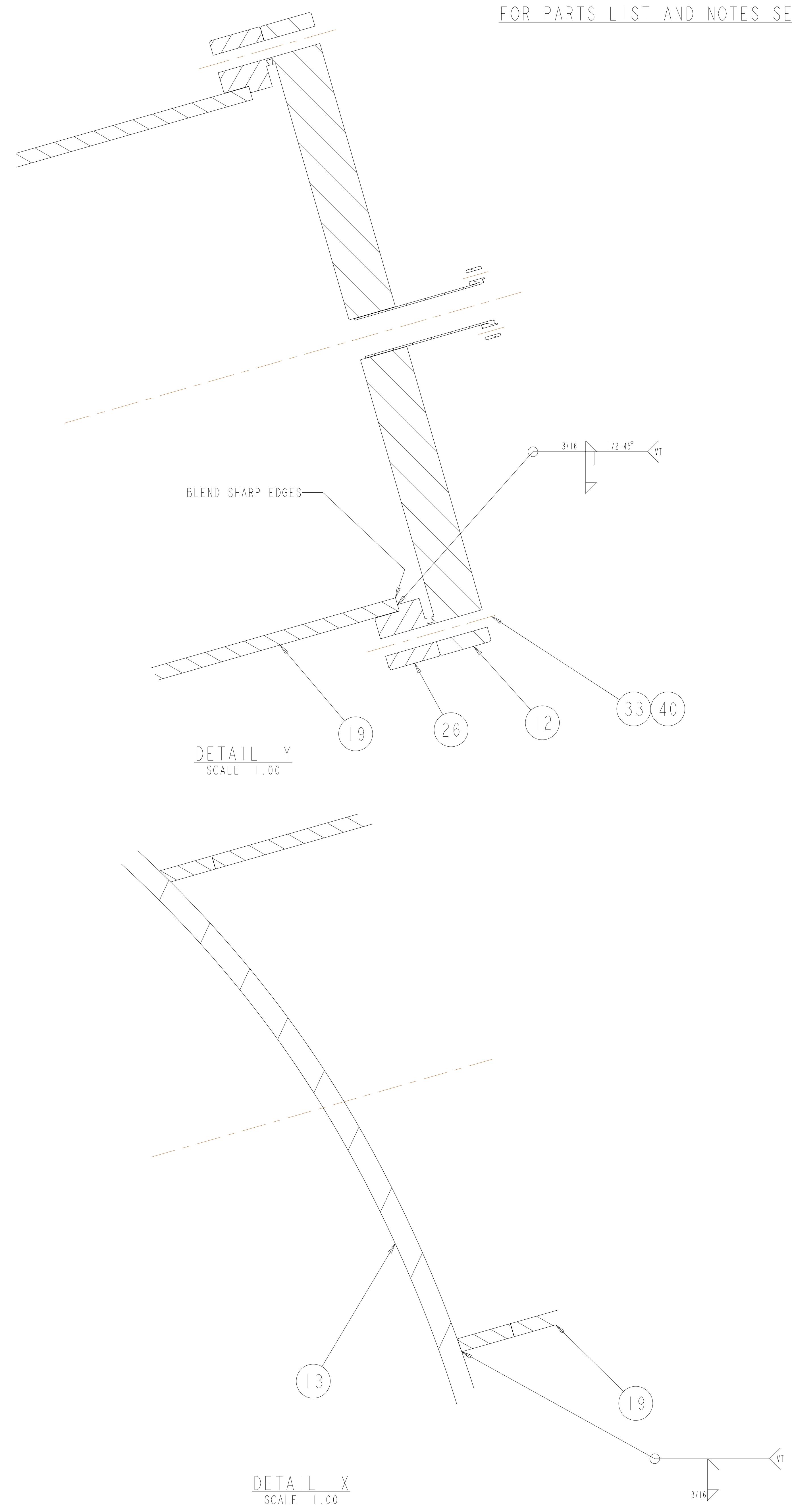
FOR PARTS LIST AND NOTES SEE SHEET 1.



TOP VIEW



TYPICAL PORT 10A AND 10B SECTION PORT10-PORT10

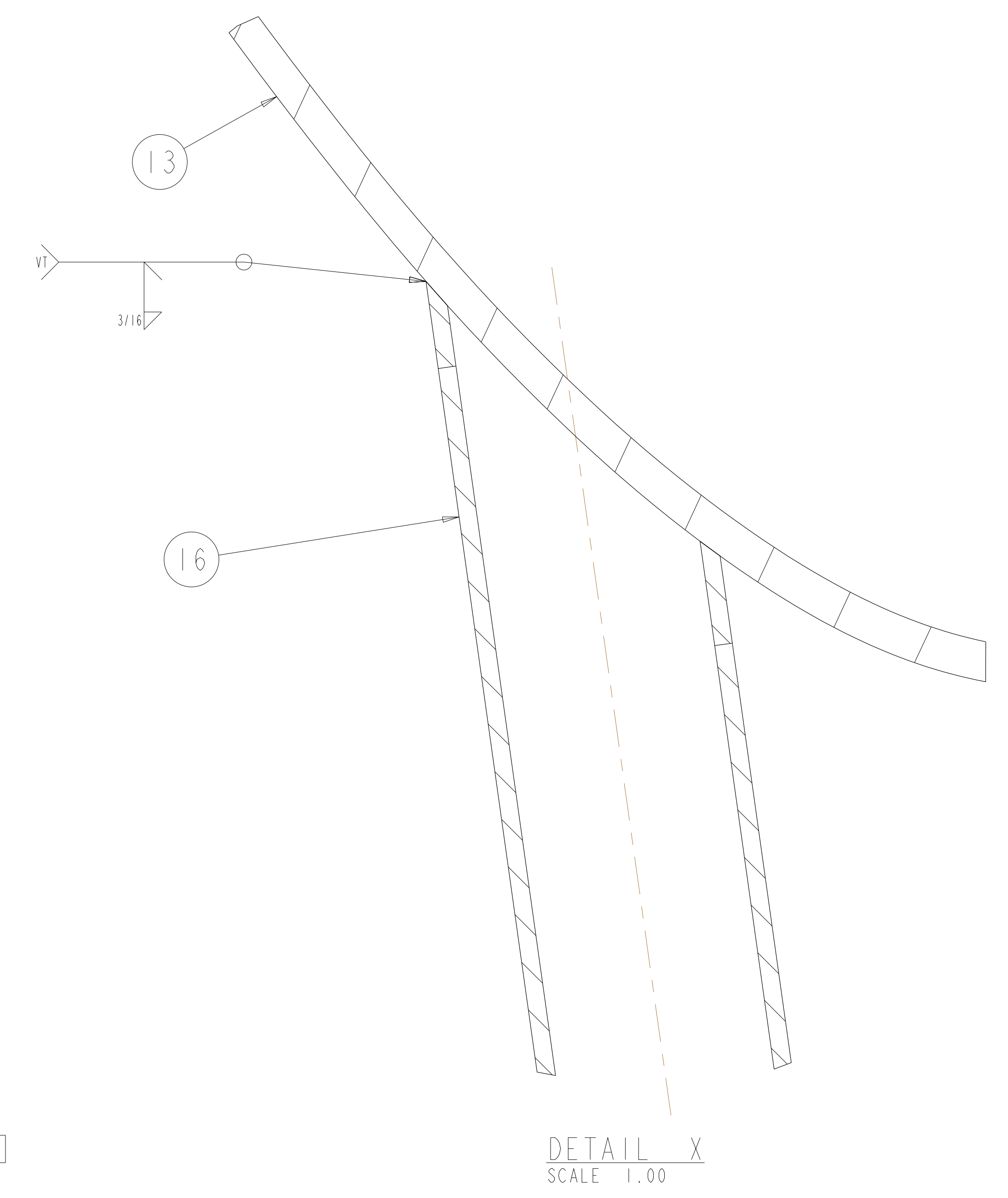
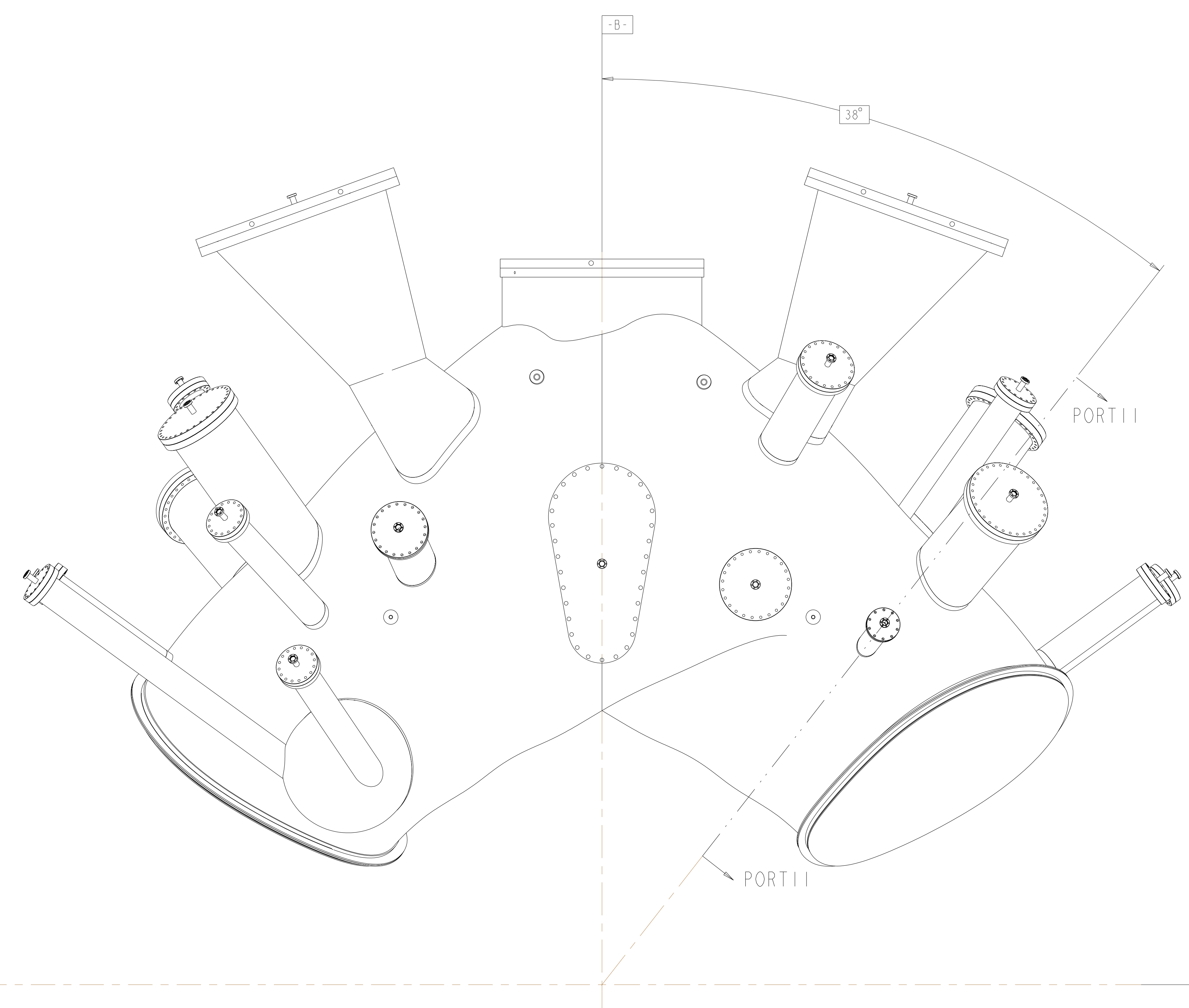


RELEASED FOR FABRICATION / INSTALLATION
 PPPL Drafting:

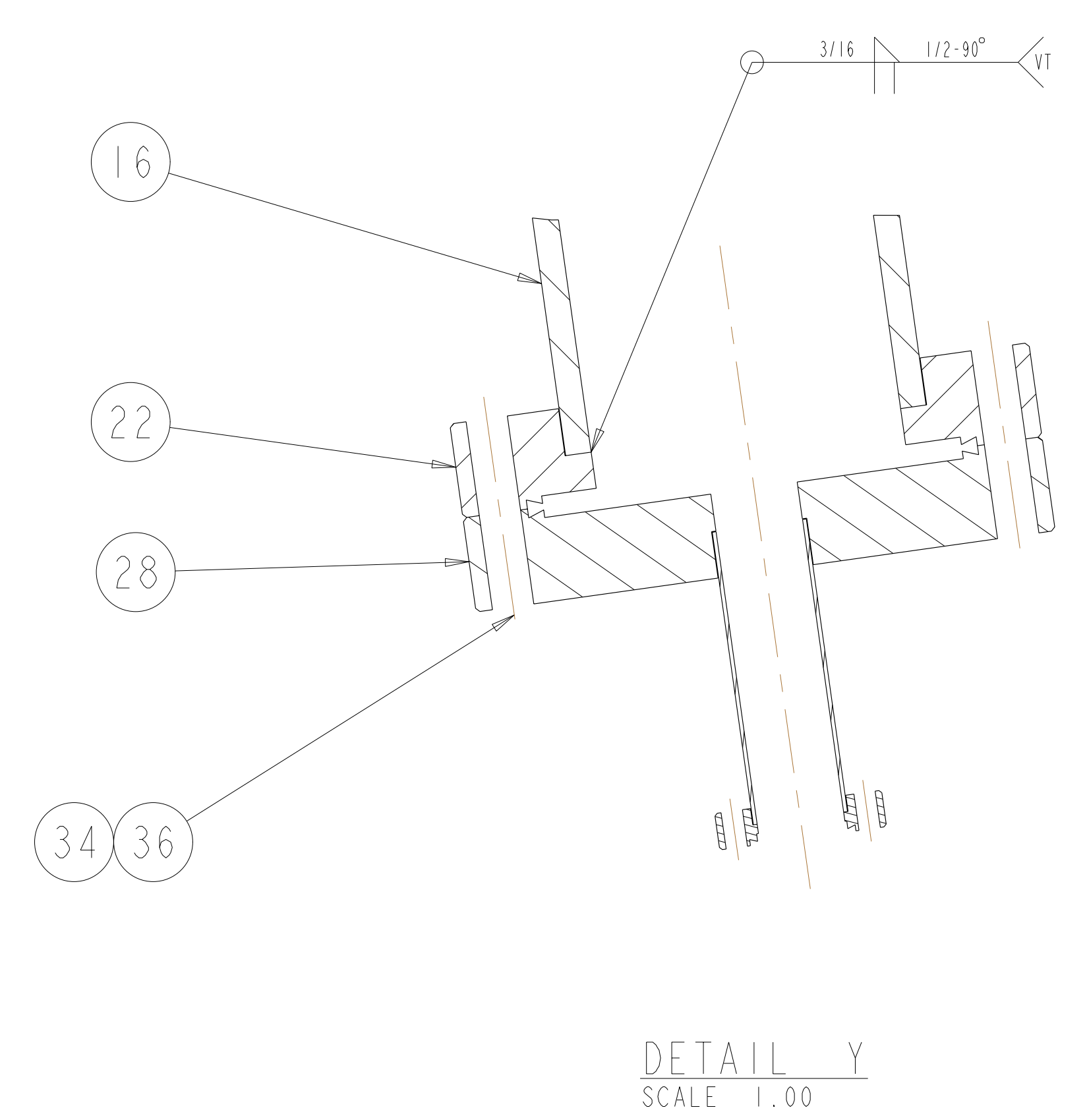
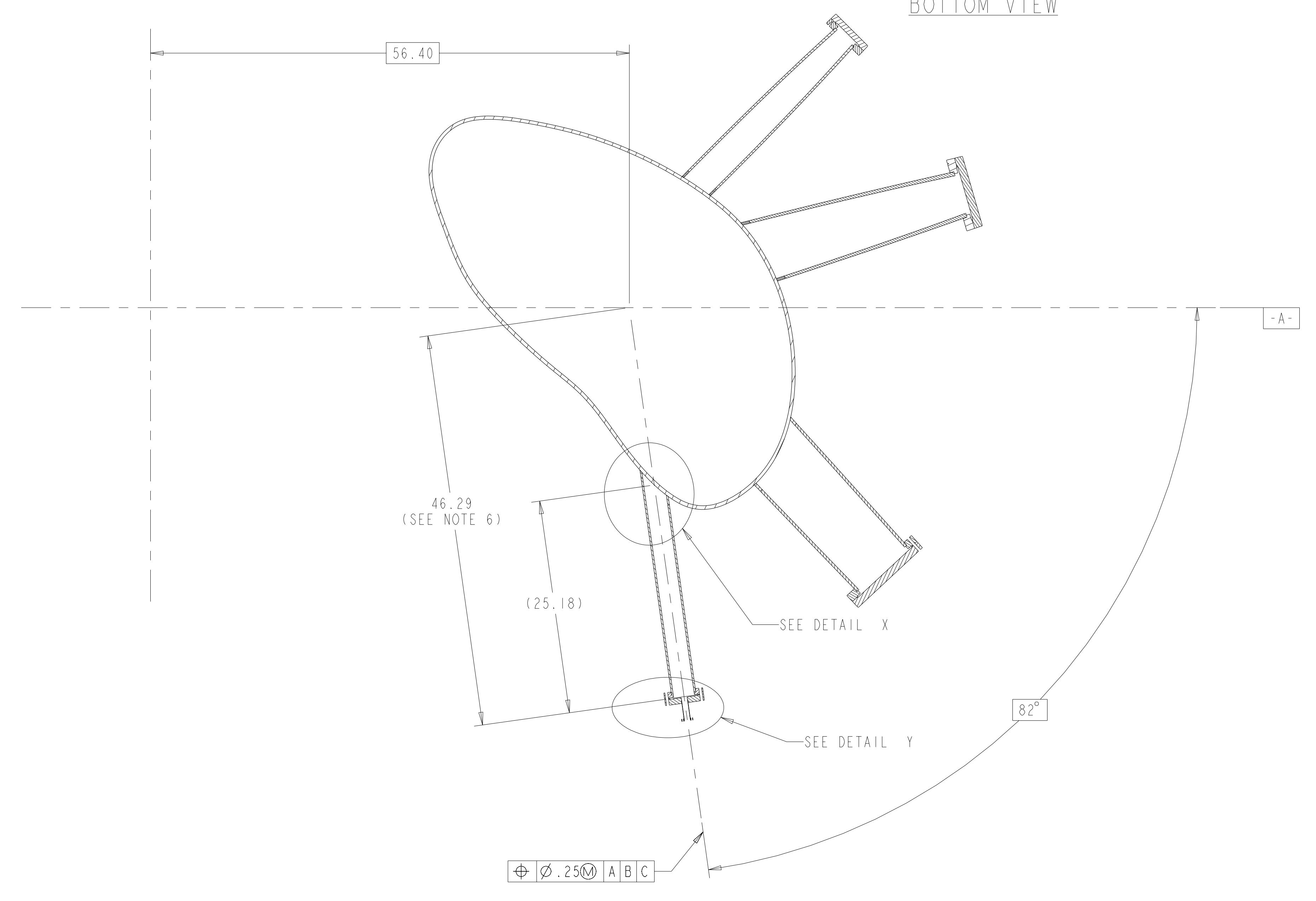
UT-BATTELLE		Oak Ridge National Laboratory managed for the DEPARTMENT OF ENERGY under U.S. GOVERNMENT contract DE-AC05-00OR22725 UT-BATTELLE, LLC, Oak Ridge, Tennessee					
PROJECT NAME							
NATIONAL COMPACT STELLARATOR EXPERIMENT							
VACUUM VESSEL							
PERIOD INSPECTION AND LEAK CHECK ASSEMBLY							
VERSION NO.	PLANT	BLDG	FL	SHT OF	TYPE	CLASS	
1	X-10	5700	3	11 19	A	U	
RELEASE LEVEL							
Fabrication		SE120-004					
						REV	
						1	

H
G
F
E
D
C
B
A

FOR PARTS LIST AND NOTES SEE SHEET 1.



BOTTOM VIEW

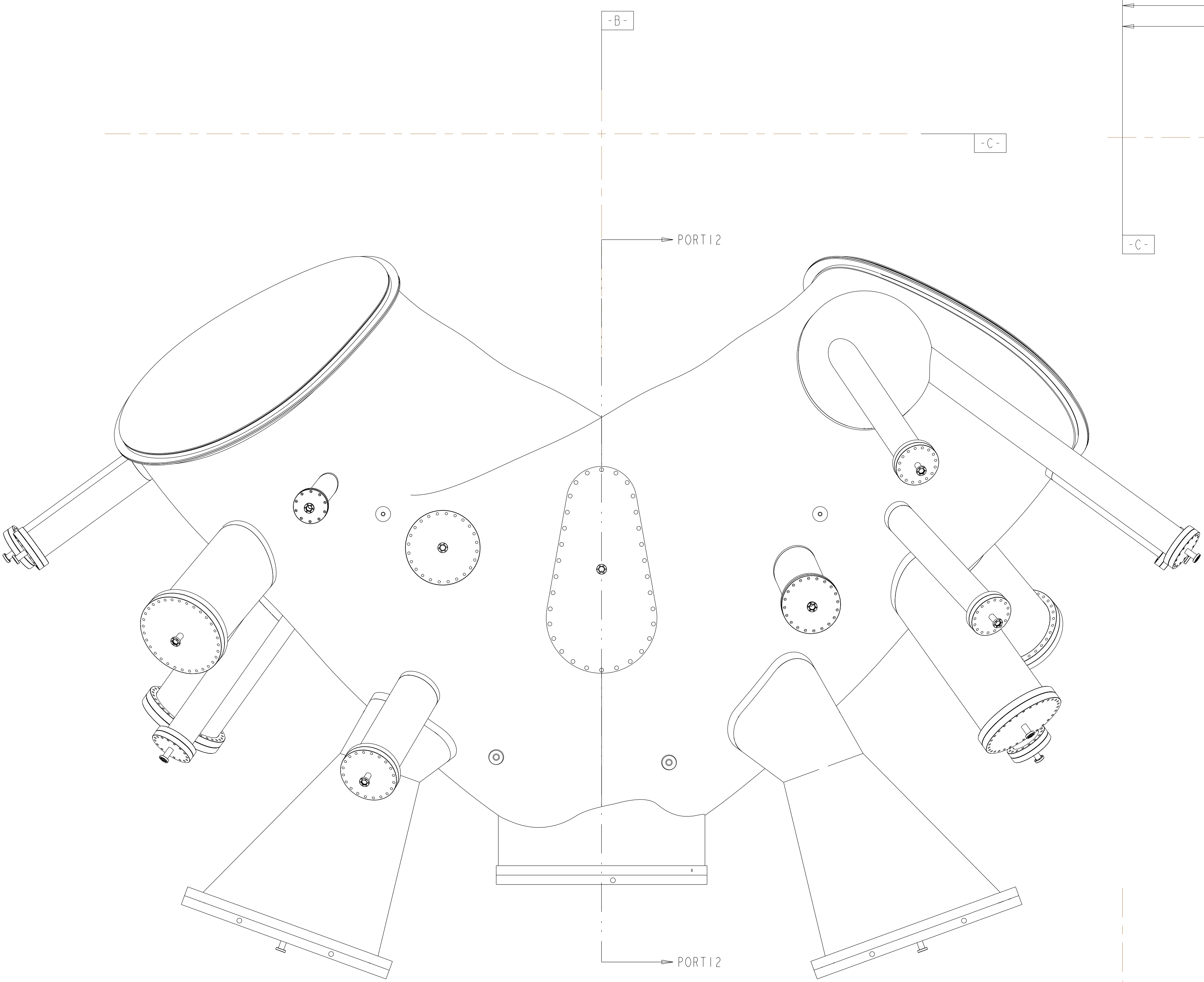


**RELEASED FOR
 FABRICATION / INSTALLATION**
 PPPL Drafting:

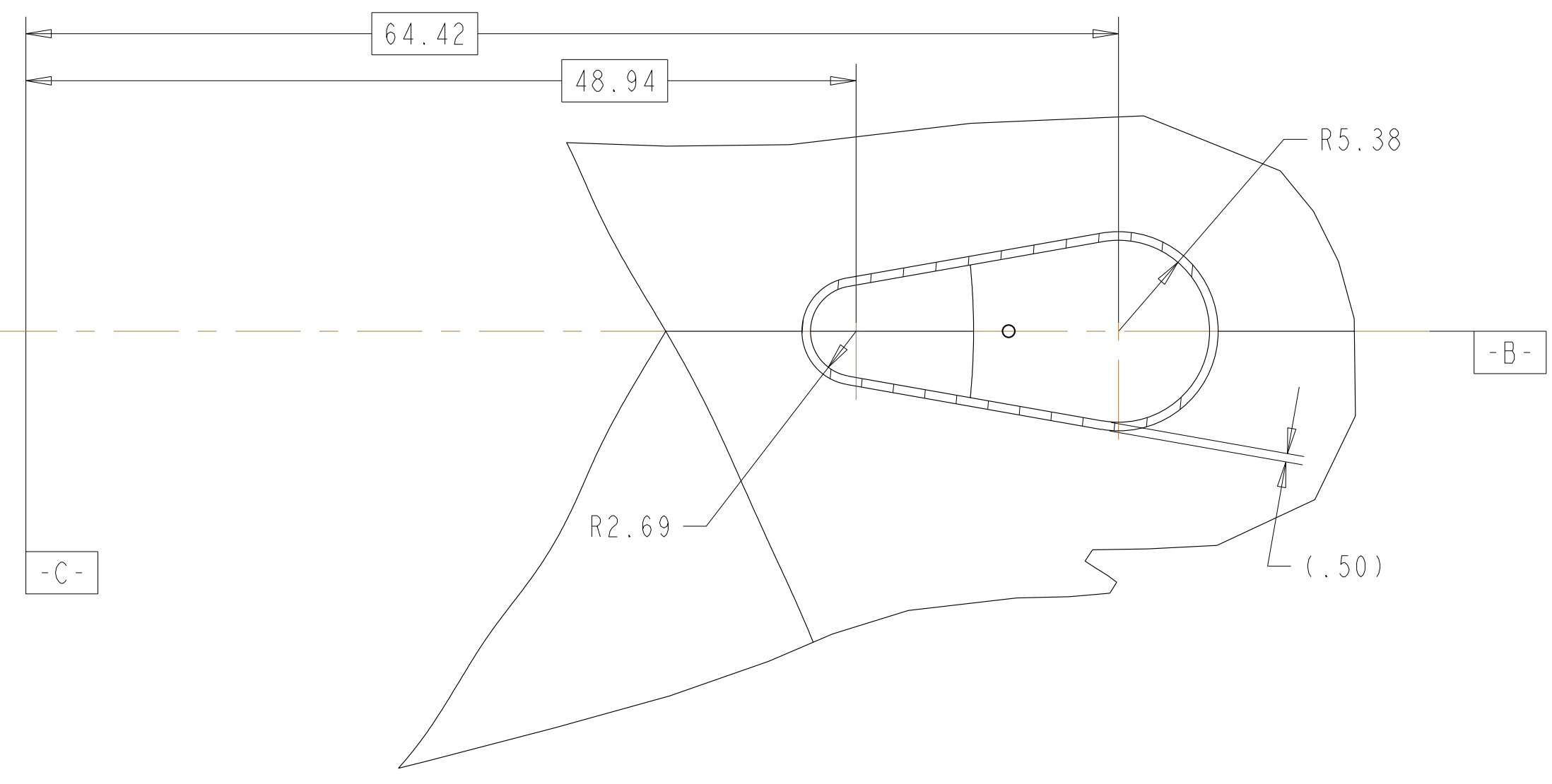
UT-BATTELLE		Oak Ridge National Laboratory managed for the DEPARTMENT OF ENERGY under U.S. GOVERNMENT contract DE-AC05-00OR22725 UT-BATTELLE, LLC, Oak Ridge, Tennessee					
NATIONAL COMPACT STELLARATOR EXPERIMENT							
VACUUM VESSEL PERIOD INSPECTION AND LEAK CHECK ASSEMBLY							
VERSION NO. 1	PLANT X-10	BLDG 5700	FL 3	SHT OF 12 19	TYPE A	CLASS U	
RELEASE LEVEL Fabrication		SE120-004					REV 1

TYPICAL PORT IIA AND IIB
 SECTION PORTII-PORTII

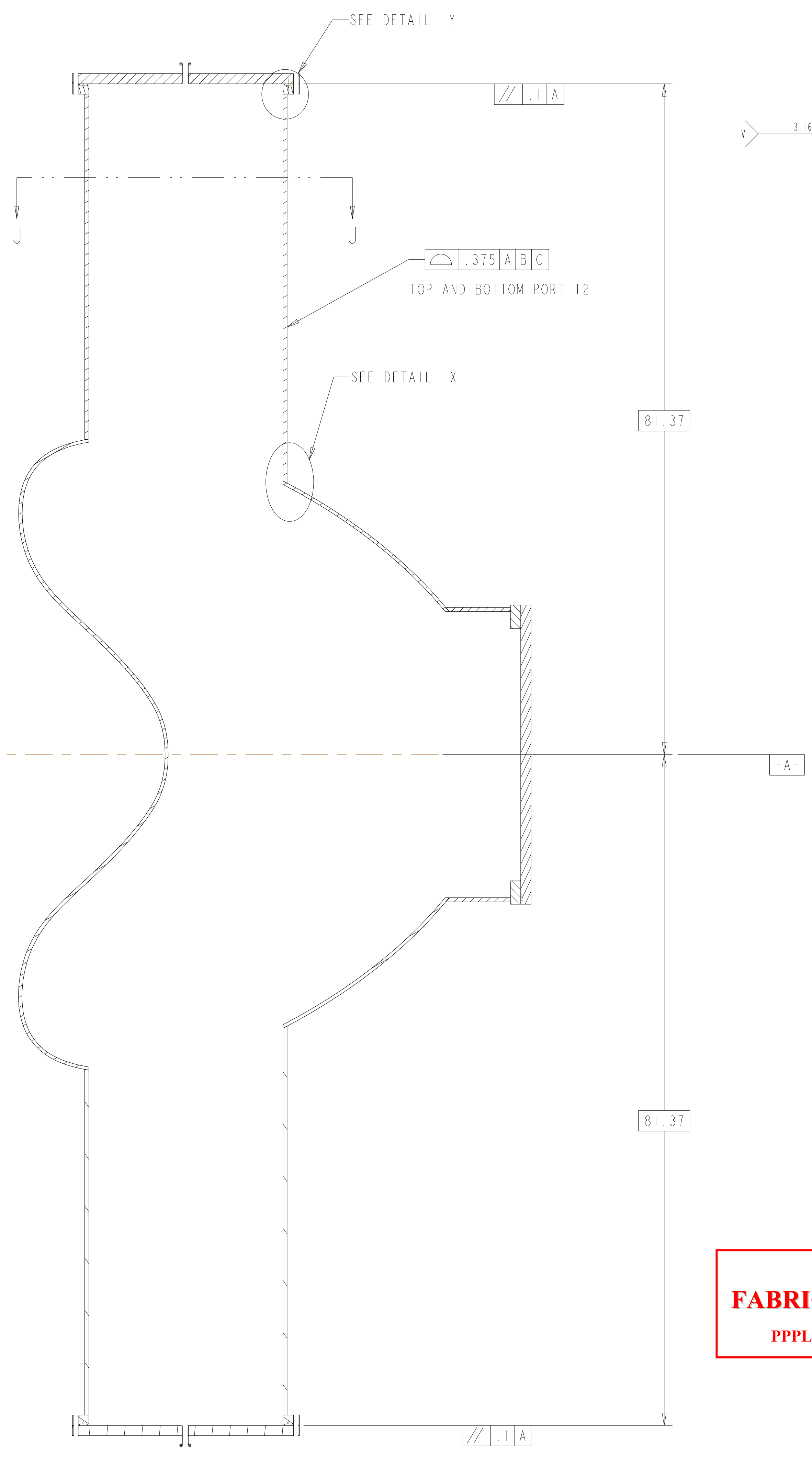
FOR PARTS LIST AND NOTES SEE SHEET 1.



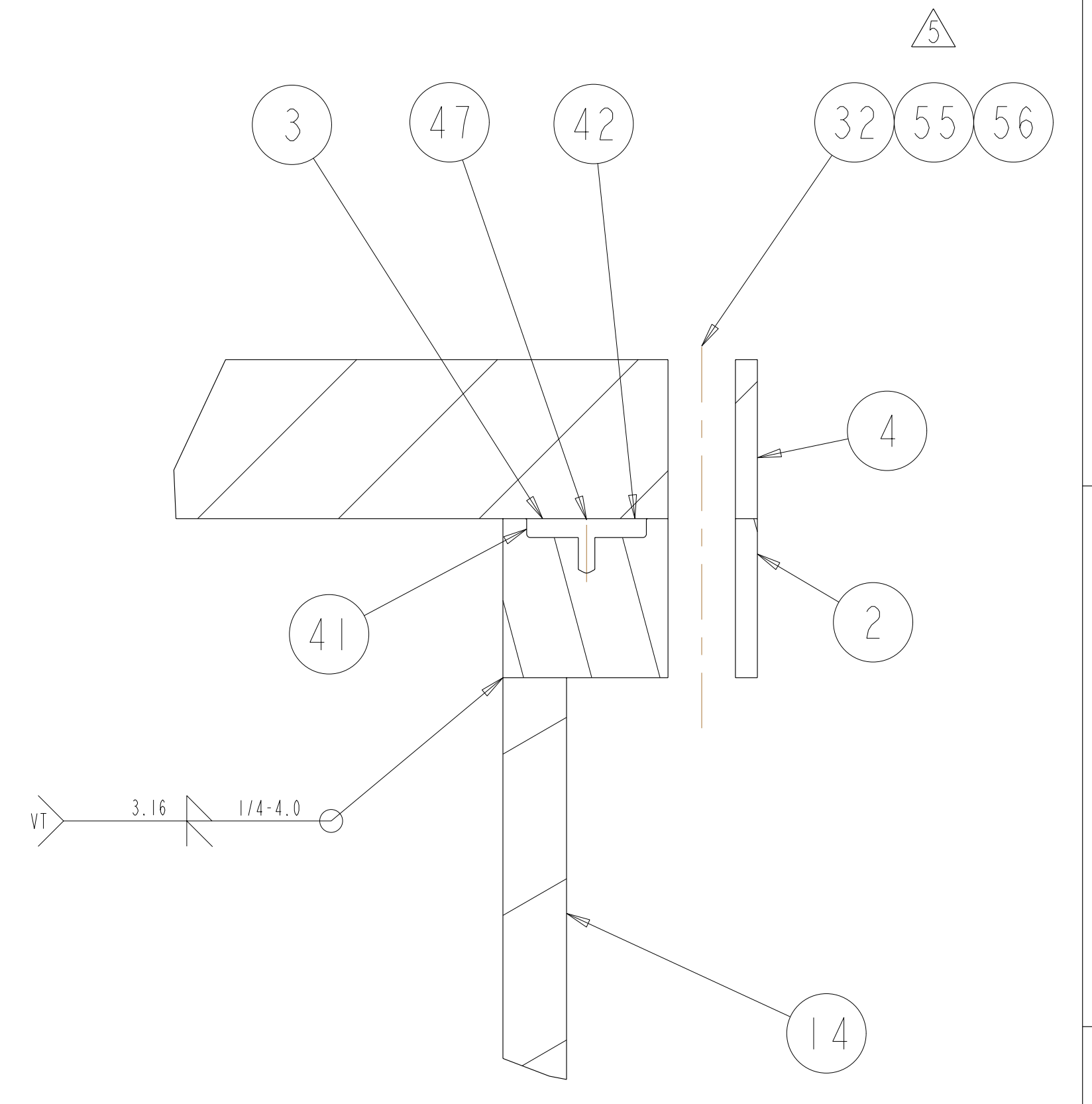
TOP VIEW



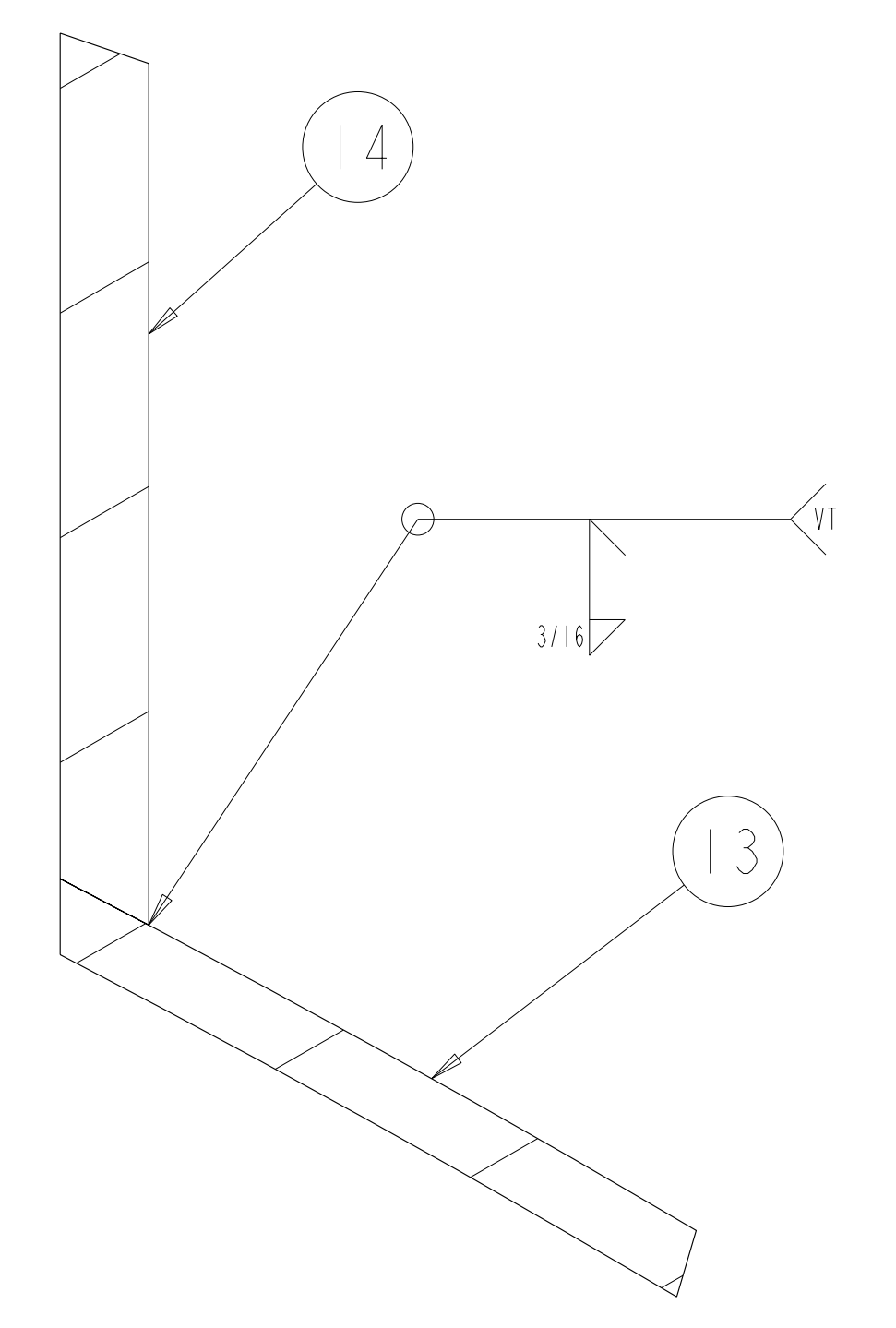
SECTION J-J
TYP TOP AND BOTTOM



SECTION PORT12-PORT12



DETAIL Y
SCALE 1.00



DETAIL X
SCALE 1.00

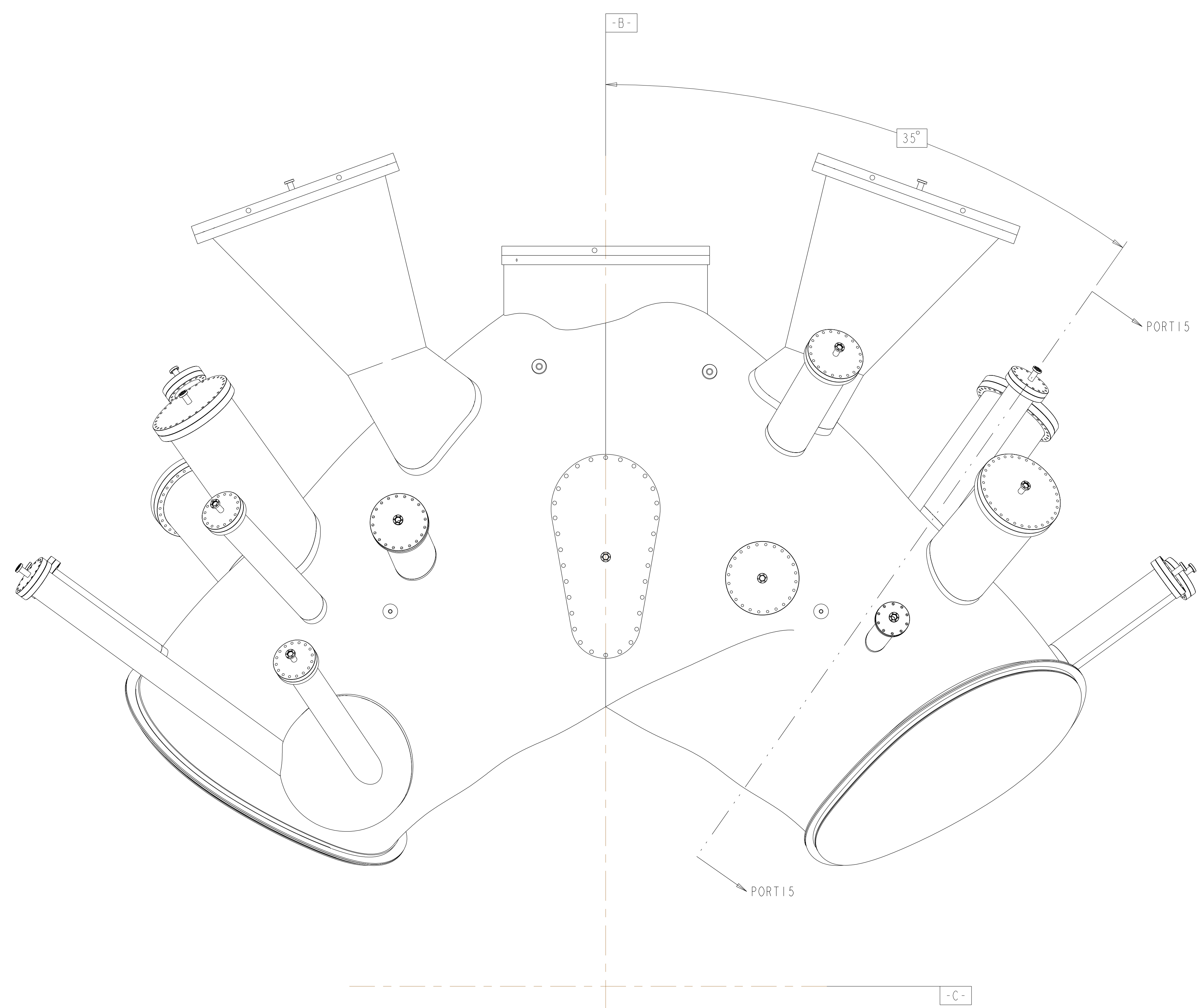
RELEASED FOR FABRICATION / INSTALLATION
 PPPL Drafting:

UT-BATTELLE		Oak Ridge National Laboratory managed for the DEPARTMENT OF ENERGY under U.S. GOVERNMENT contract DE-AC05-00OR22725 UT-BATTELLE, LLC. Oak Ridge, Tennessee					
NATIONAL COMPACT STELLARATOR EXPERIMENT							
VACUUM VESSEL PERIOD INSPECTION AND LEAK CHECK ASSEMBLY							
VERSION NO.	PLANT	BLDG	FL	SHT OF	TYPE	CLASS	
1	X-10	5700	3	13 19	A	U	
RELEASE LEVEL Fabrication		SE120-004					REV 1

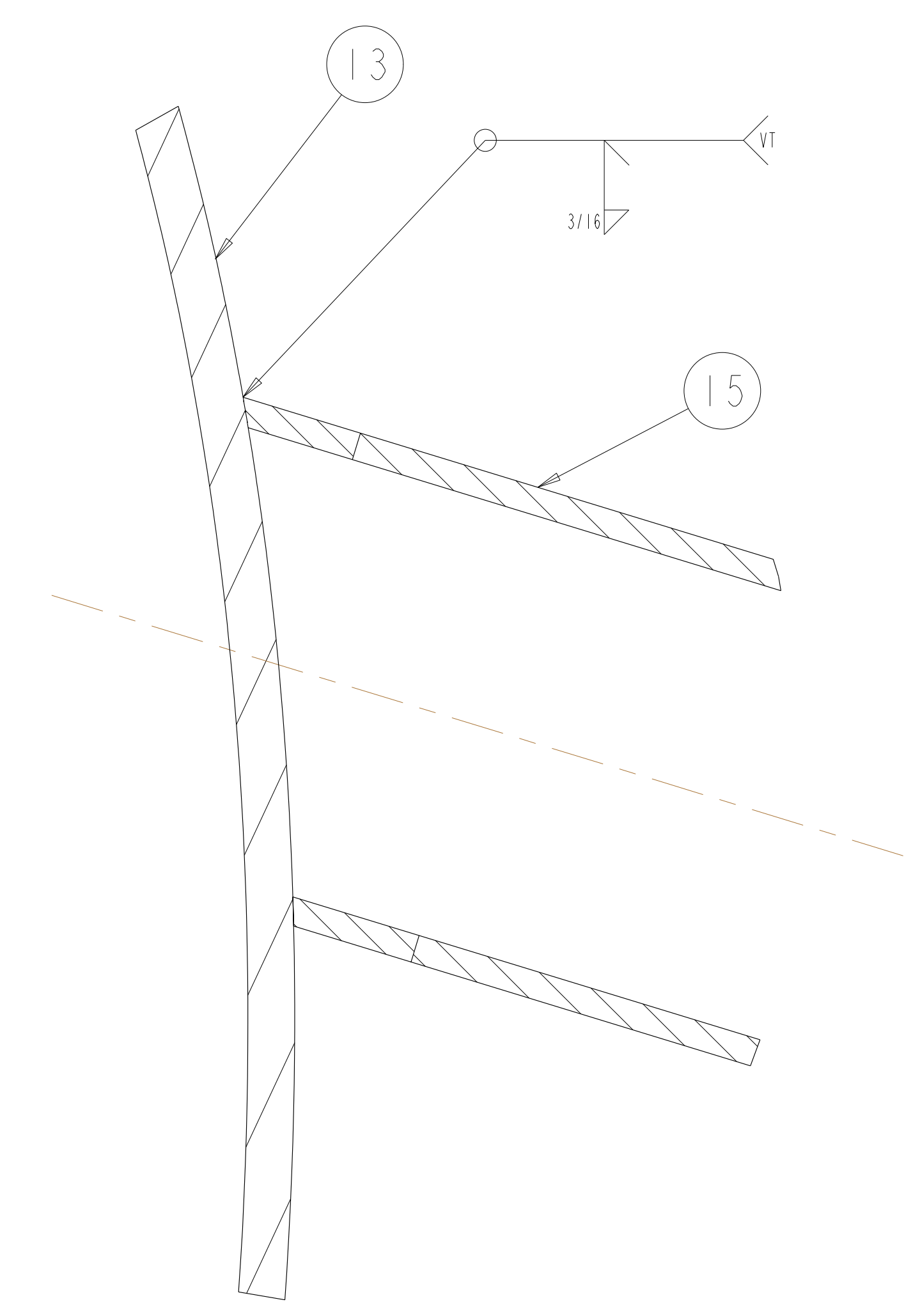
H
G
F
E
D
C
B
A

SE120-004

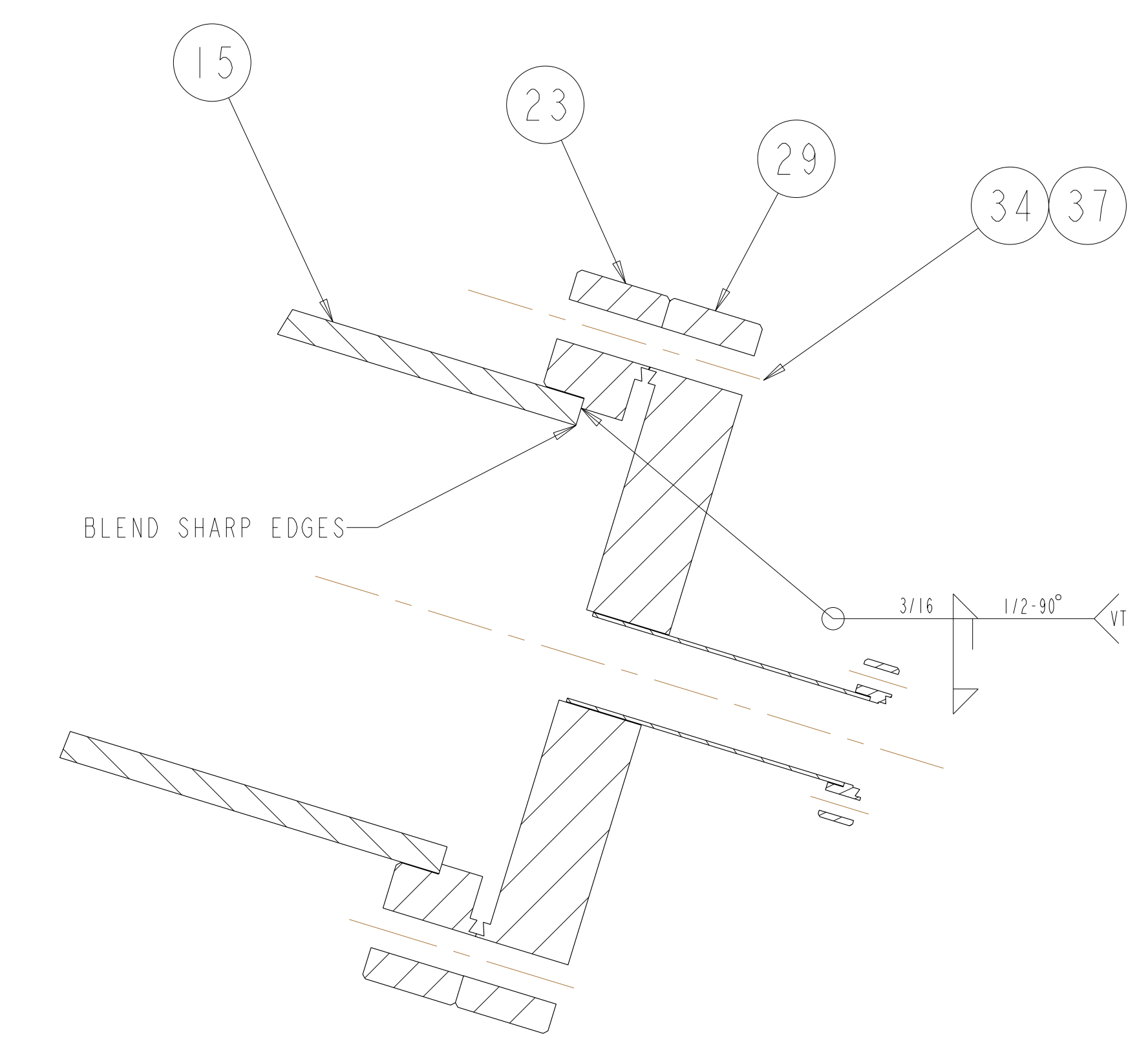
FOR PARTS LIST AND NOTES SEE SHEET 1.



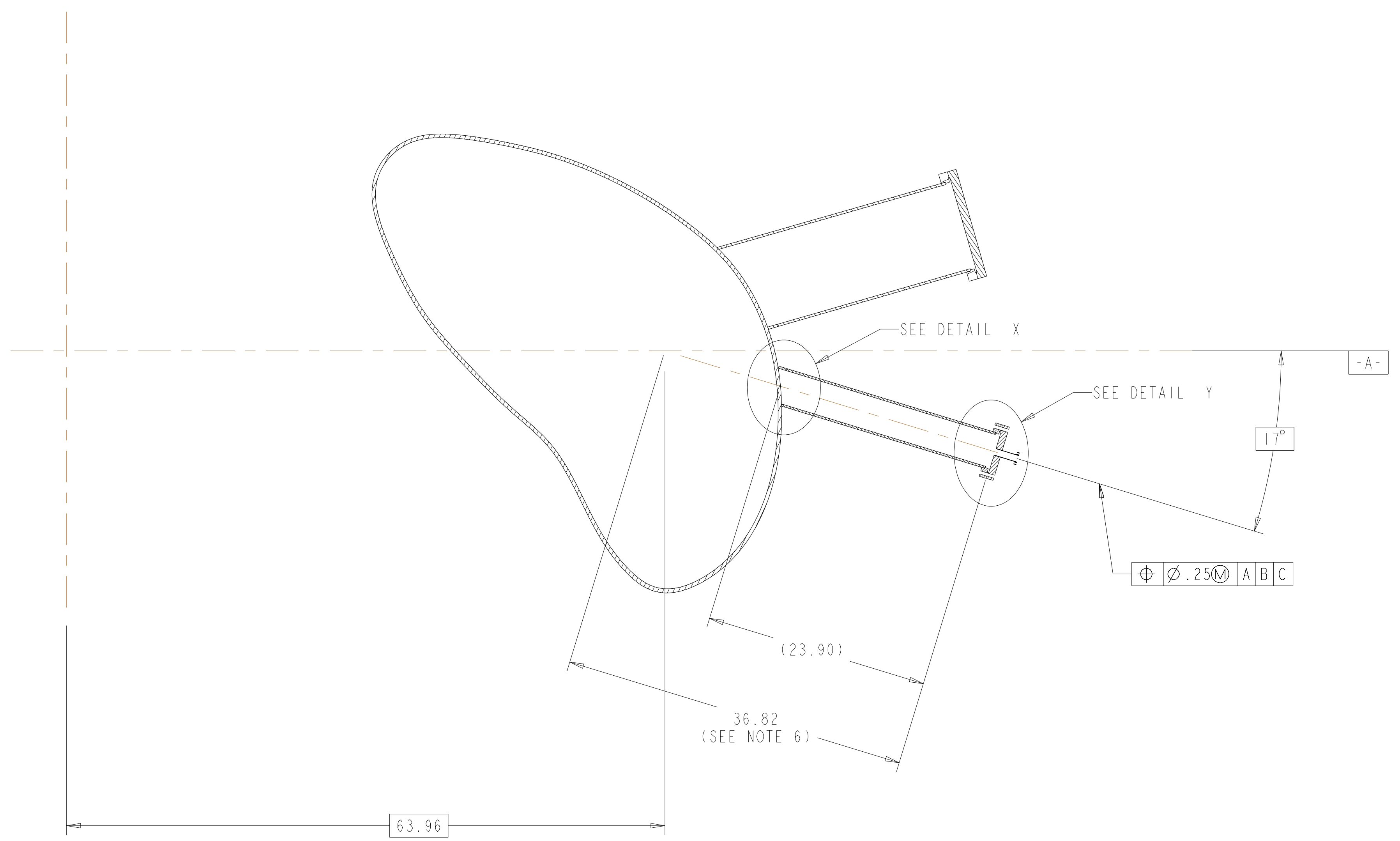
BOTTOM VIEW



DETAIL X
SCALE 1.00



DETAIL Y
SCALE 1.00



TYPICAL PORT 15A AND 15B
SECTION PORT15-PORT15

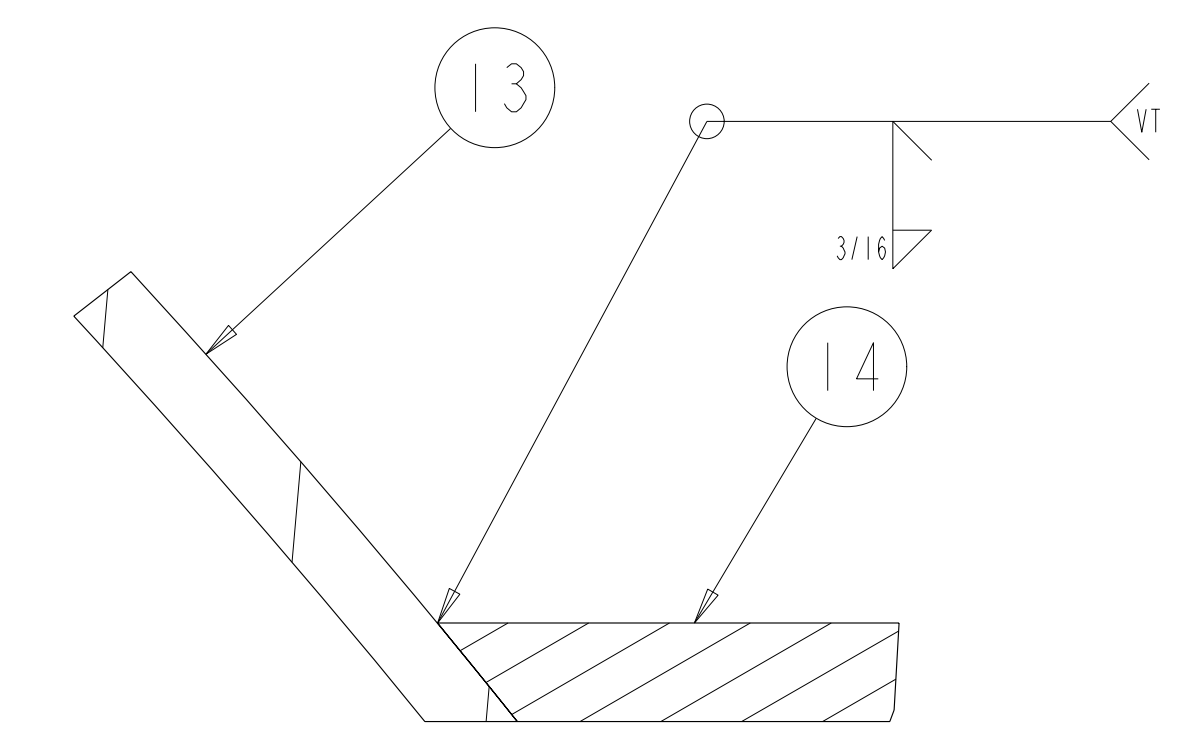
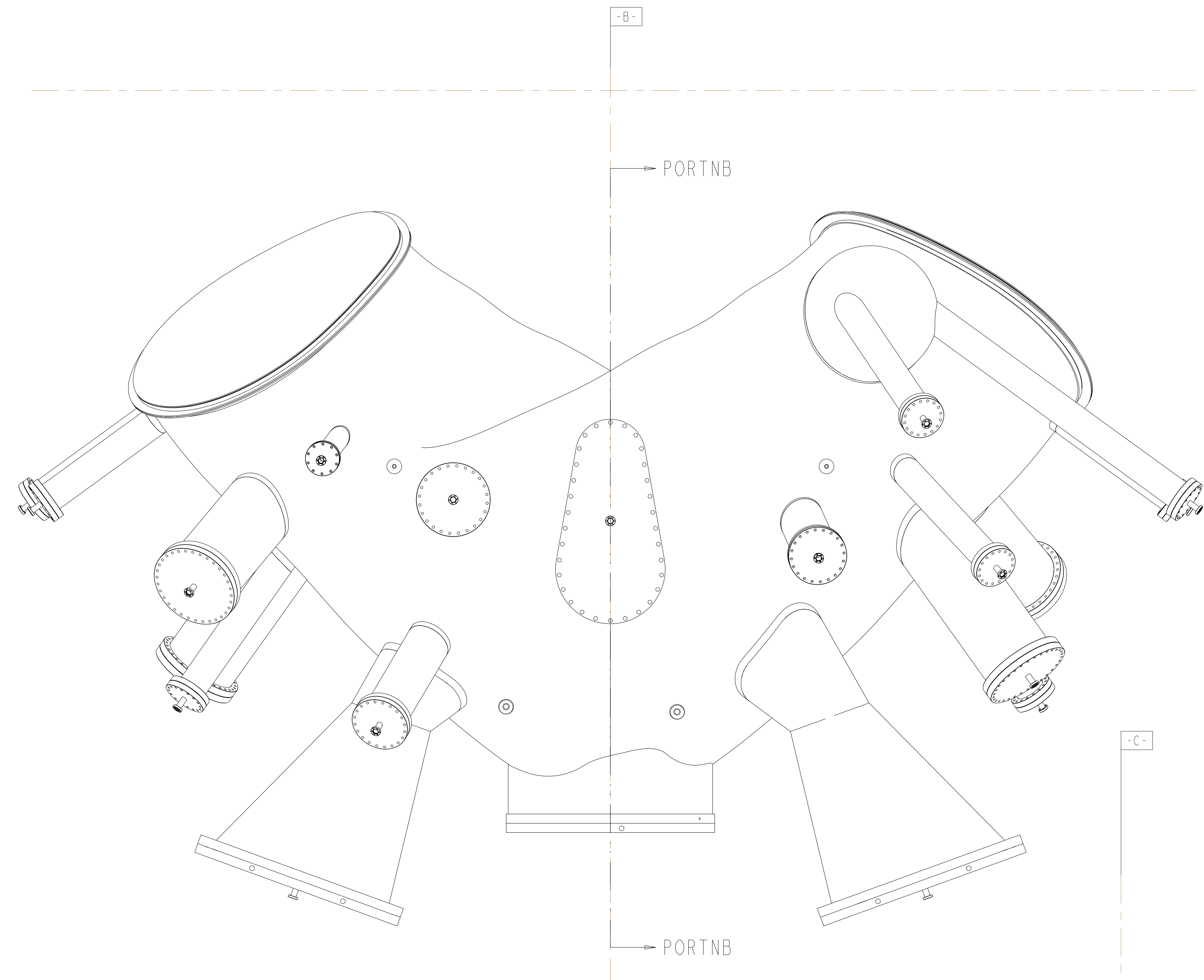
**RELEASED FOR
FABRICATION / INSTALLATION**
 PPPL Drafting:

Oak Ridge National Laboratory managed for the DEPARTMENT OF ENERGY under U.S. GOVERNMENT contract DE-AC05-00OR22725 UT-BATTELLE, LLC., Oak Ridge, Tennessee PROJECT NAME						
NATIONAL COMPACT STELLARATOR EXPERIMENT VACUUM VESSEL PERIOD INSPECTION AND LEAK CHECK ASSEMBLY						
VERSION NO.	PLANT	BLDG	FL	SHT OF	TYPE	CLASS
1	X-10	5700	3	14	A	U
RELEASE LEVEL	SE120-004					
Fabrication						

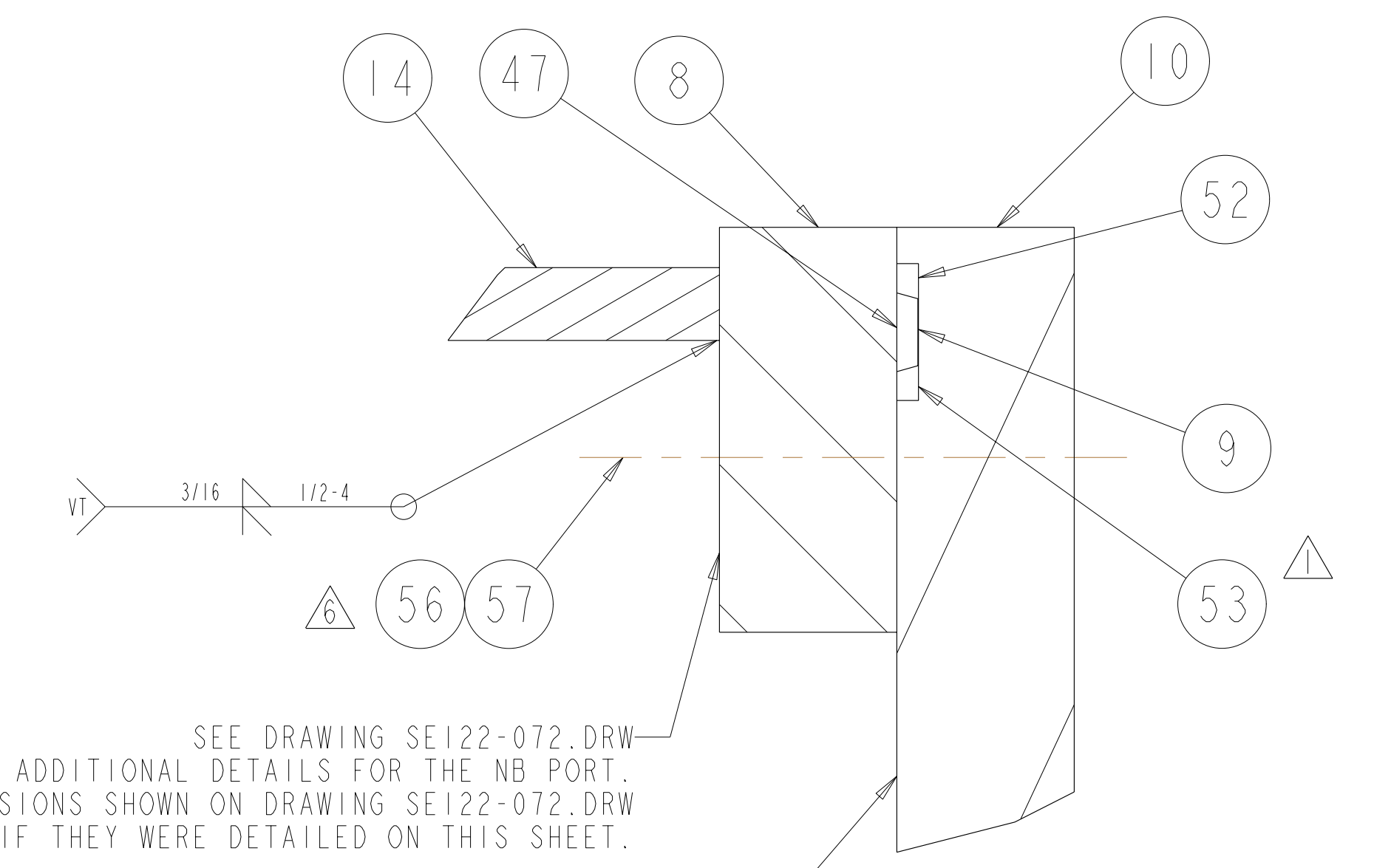
H
G
F
E
D
C
B
A

SE120-004

FOR PARTS LIST AND NOTES SEE SHEET 1

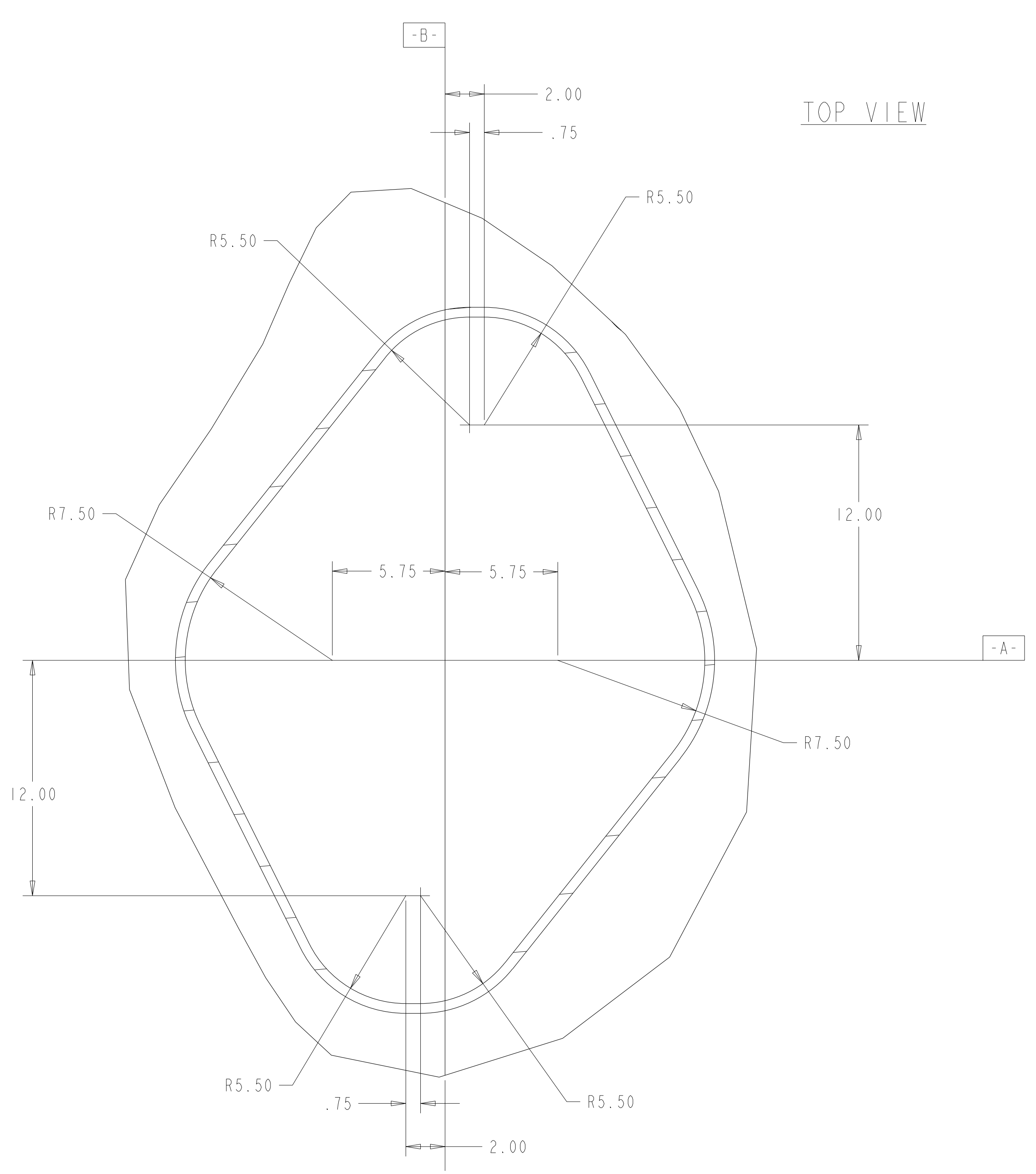


DETAIL X
 SCALE 1.00

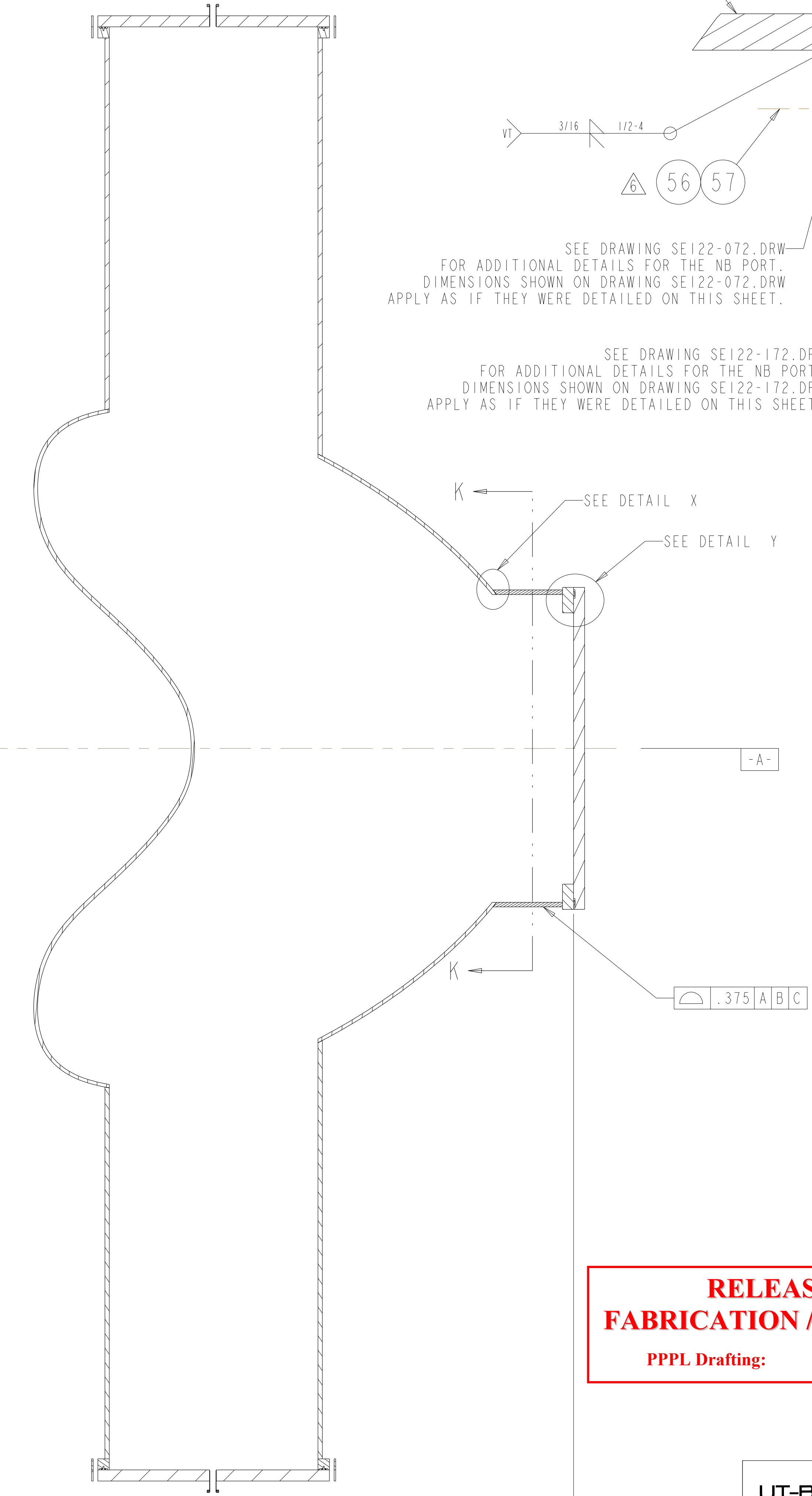


SEE DRAWING SE122-072.DRW FOR ADDITIONAL DETAILS FOR THE NB PORT. DIMENSIONS SHOWN ON DRAWING SE122-072.DRW APPLY AS IF THEY WERE DETAILED ON THIS SHEET.

SEE DRAWING SE122-172.DRW FOR ADDITIONAL DETAILS FOR THE NB PORT. DIMENSIONS SHOWN ON DRAWING SE122-172.DRW APPLY AS IF THEY WERE DETAILED ON THIS SHEET.



SECTION K-K
 SCALE 0.25



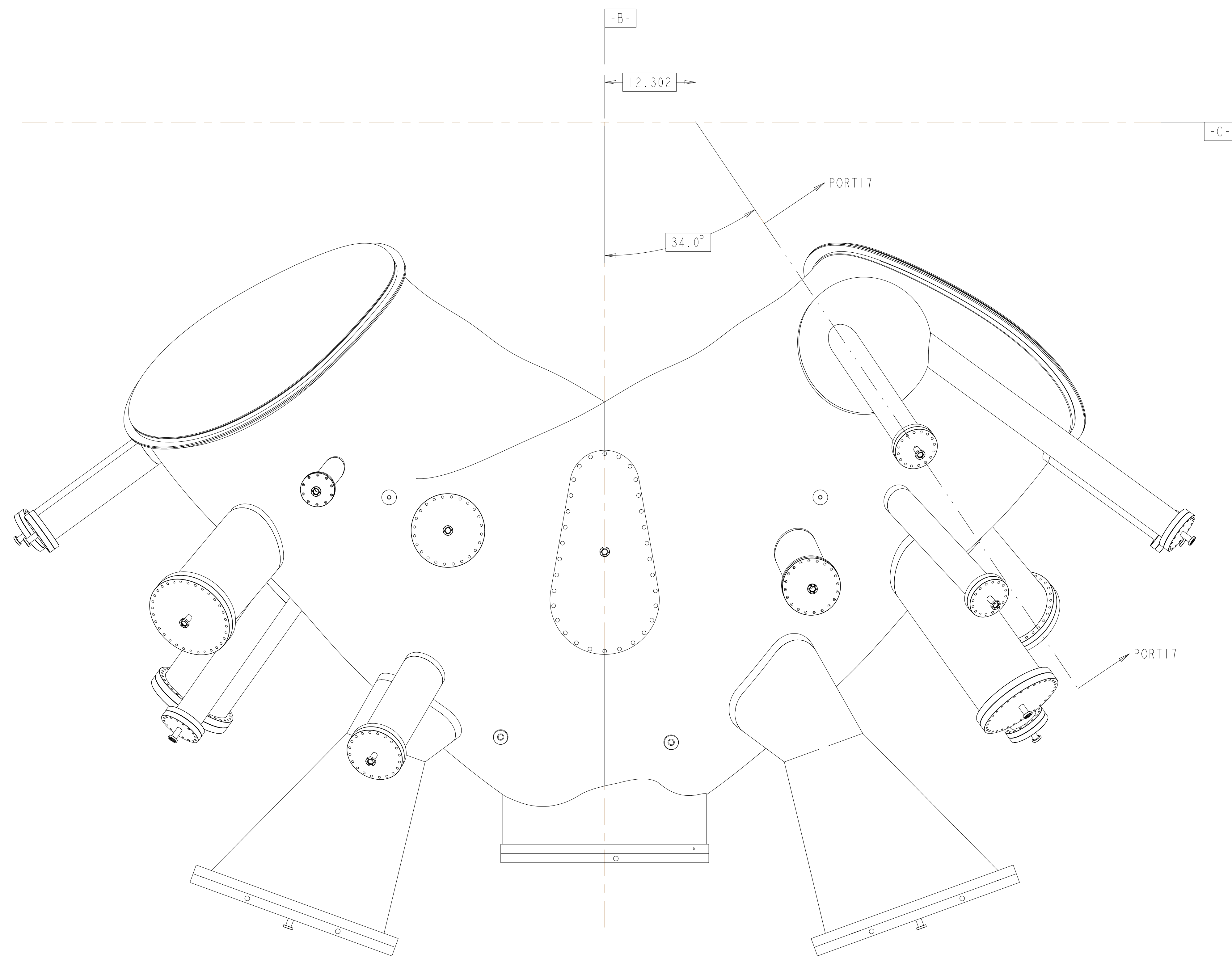
SECTION PORTNB-PORTNB

RELEASED FOR FABRICATION / INSTALLATION
 PPPL Drafting:

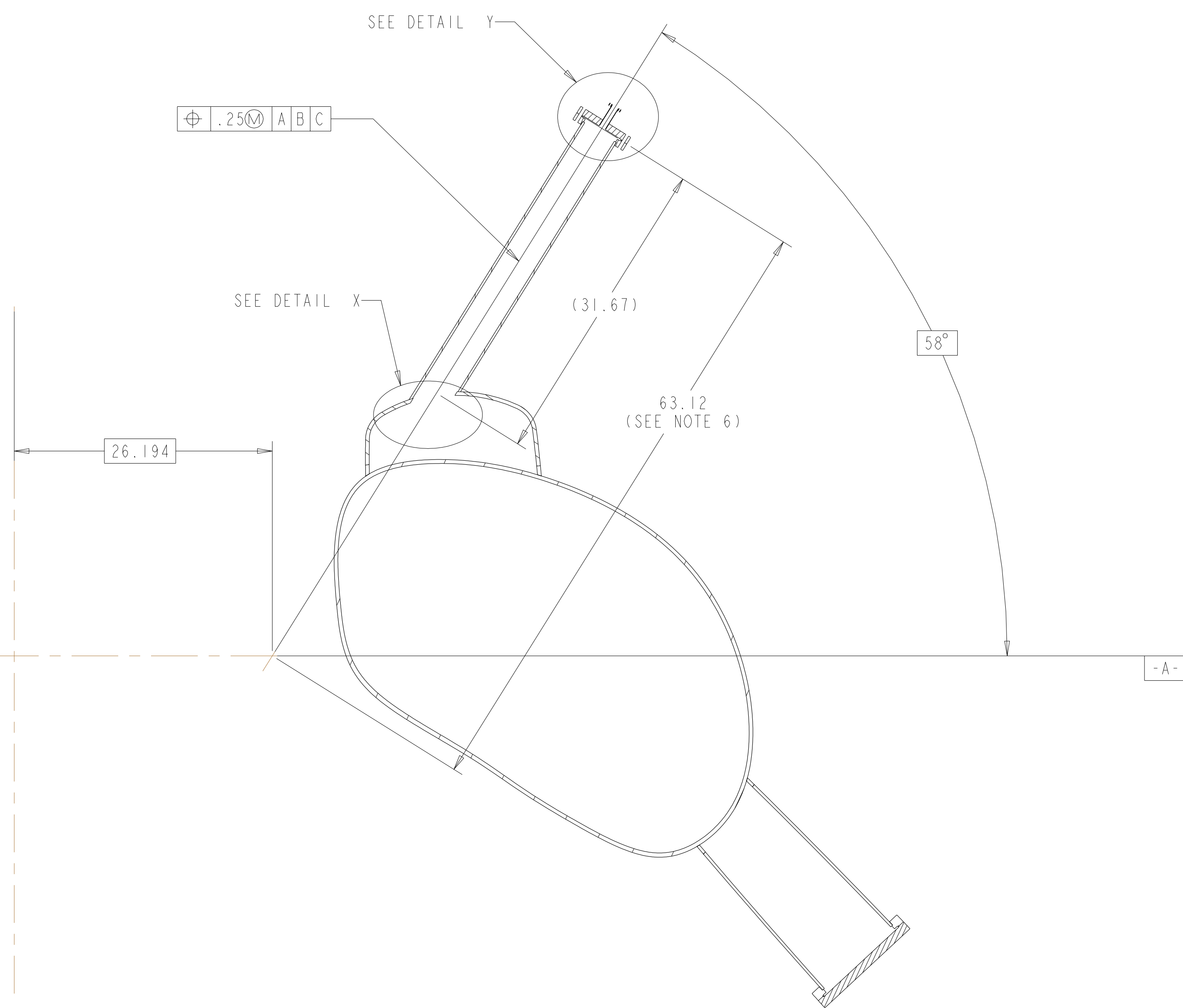
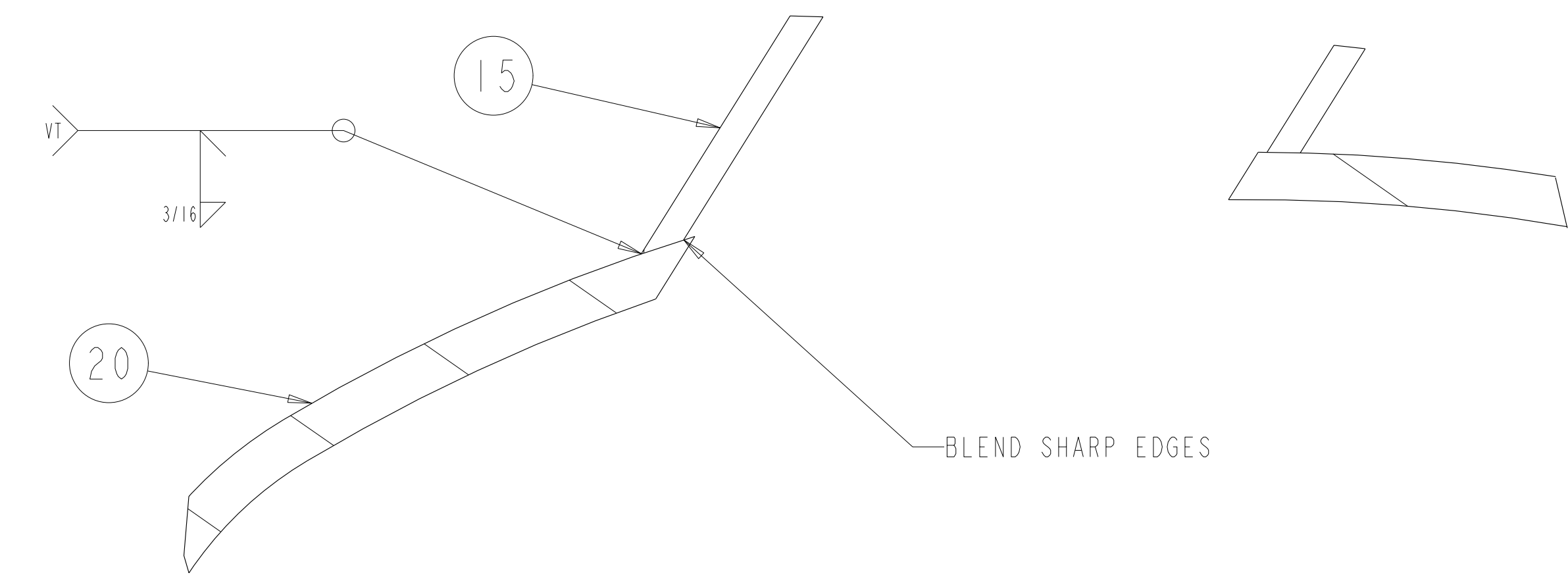
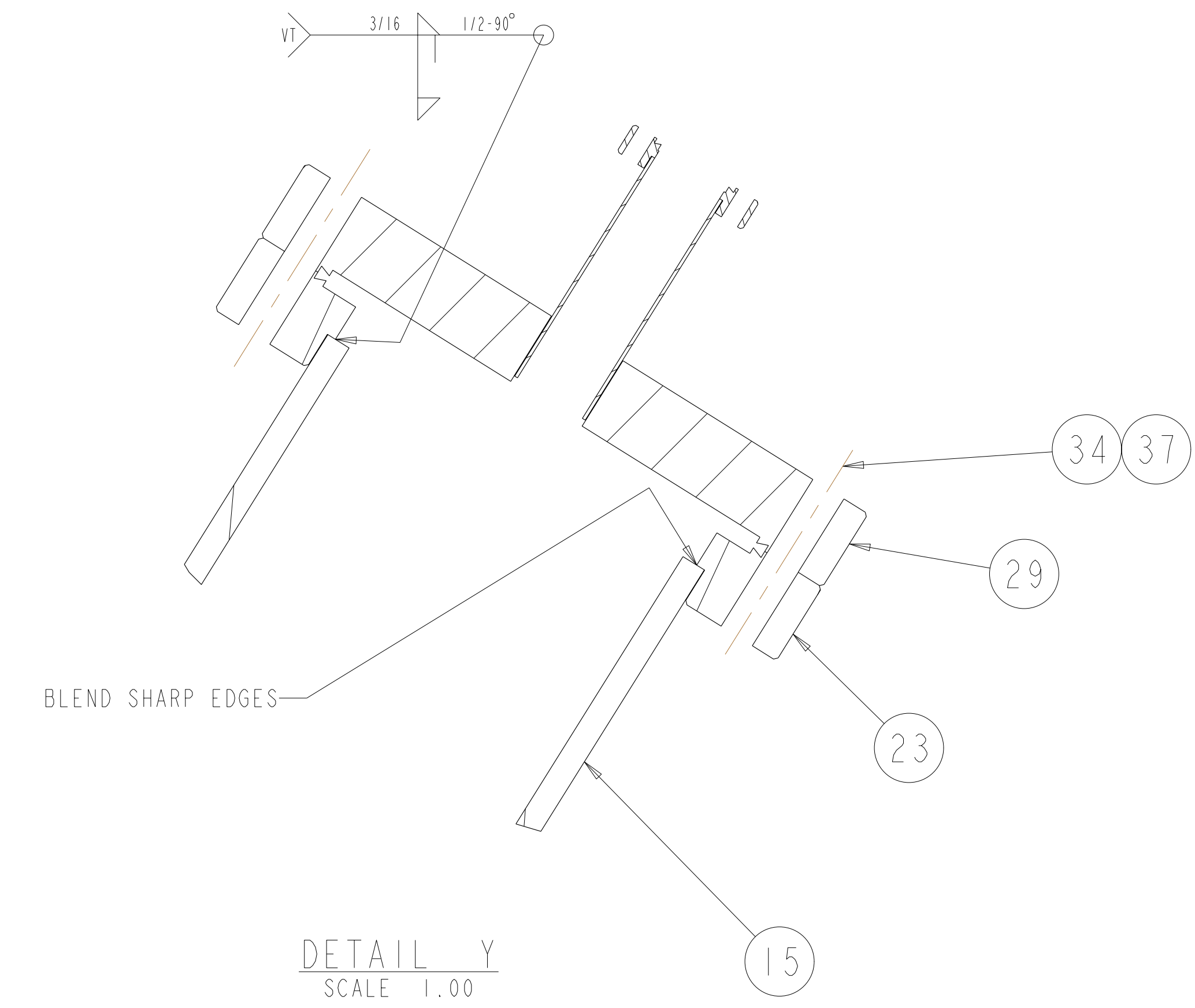
Oak Ridge National Laboratory managed for the DEPARTMENT OF ENERGY under U.S. GOVERNMENT contract DE-AC05-00OR22725 UT-BATTELLE, LLC, Oak Ridge, Tennessee PROJECT NAME						
NATIONAL COMPACT STELLARATOR EXPERIMENT VACUUM VESSEL PERIOD INSPECTION AND LEAK CHECK ASSEMBLY						
VERSION NO.	PLANT	BLDG	FL	SHT OF	TYPE	CLASS
1	X-10	5700	3	15 19	A	U
RELEASE LEVEL		SE120-004				
Fabrication		1				

H
G
F
E
D
C
B
A

FOR PARTS LIST AND NOTES SEE SHEET 1.



TOP VIEW

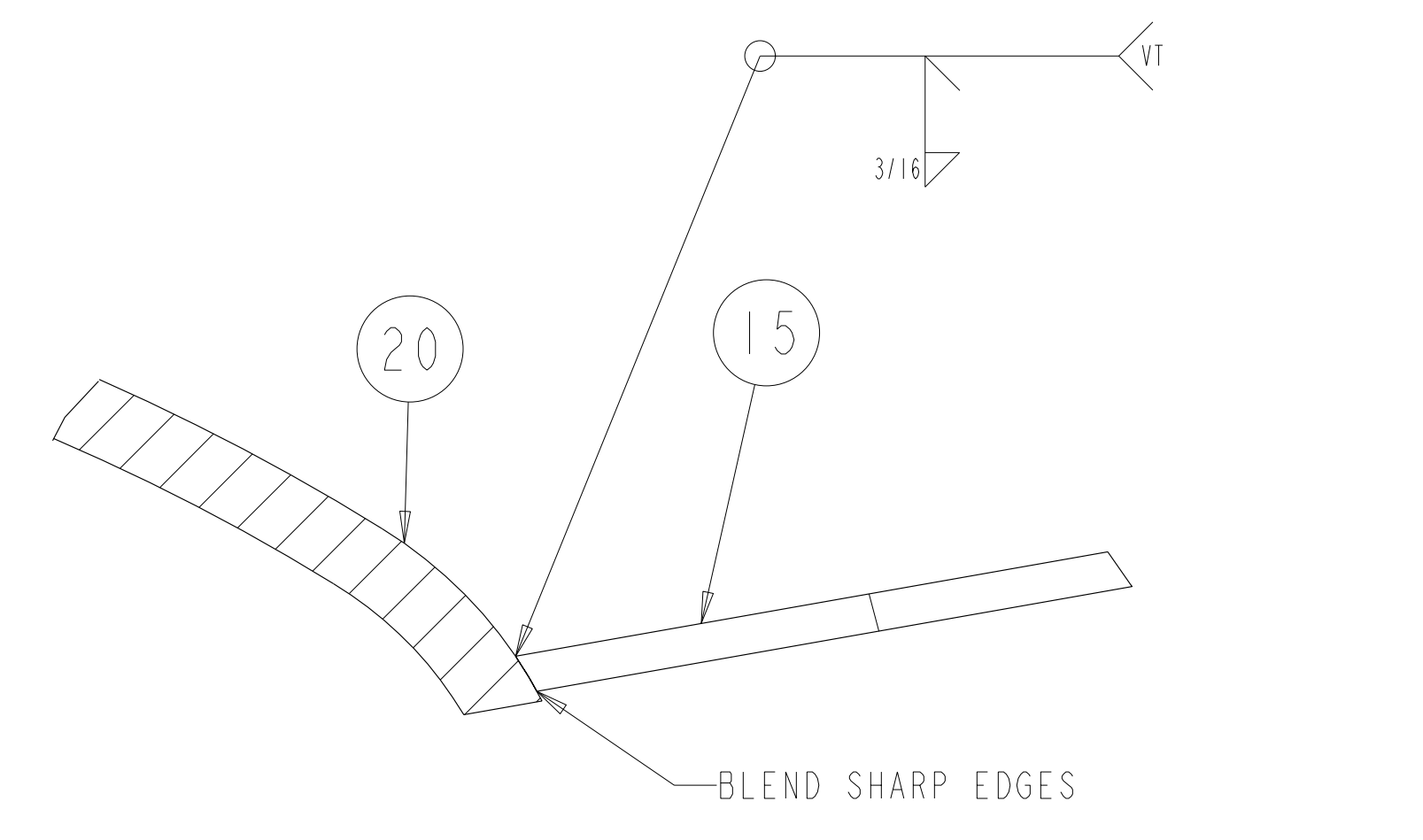
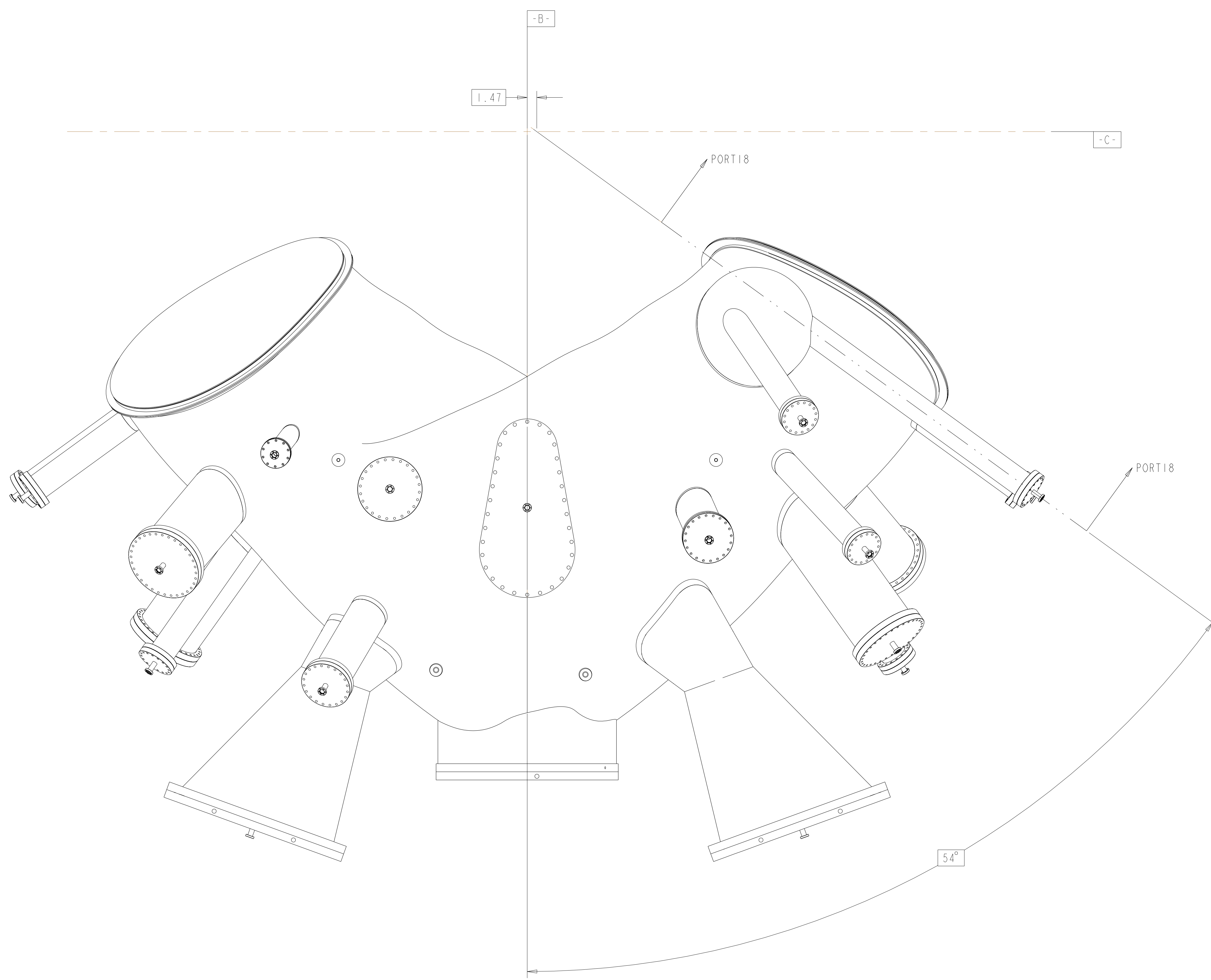


**RELEASED FOR
 FABRICATION / INSTALLATION**
 PPPL Drafting:

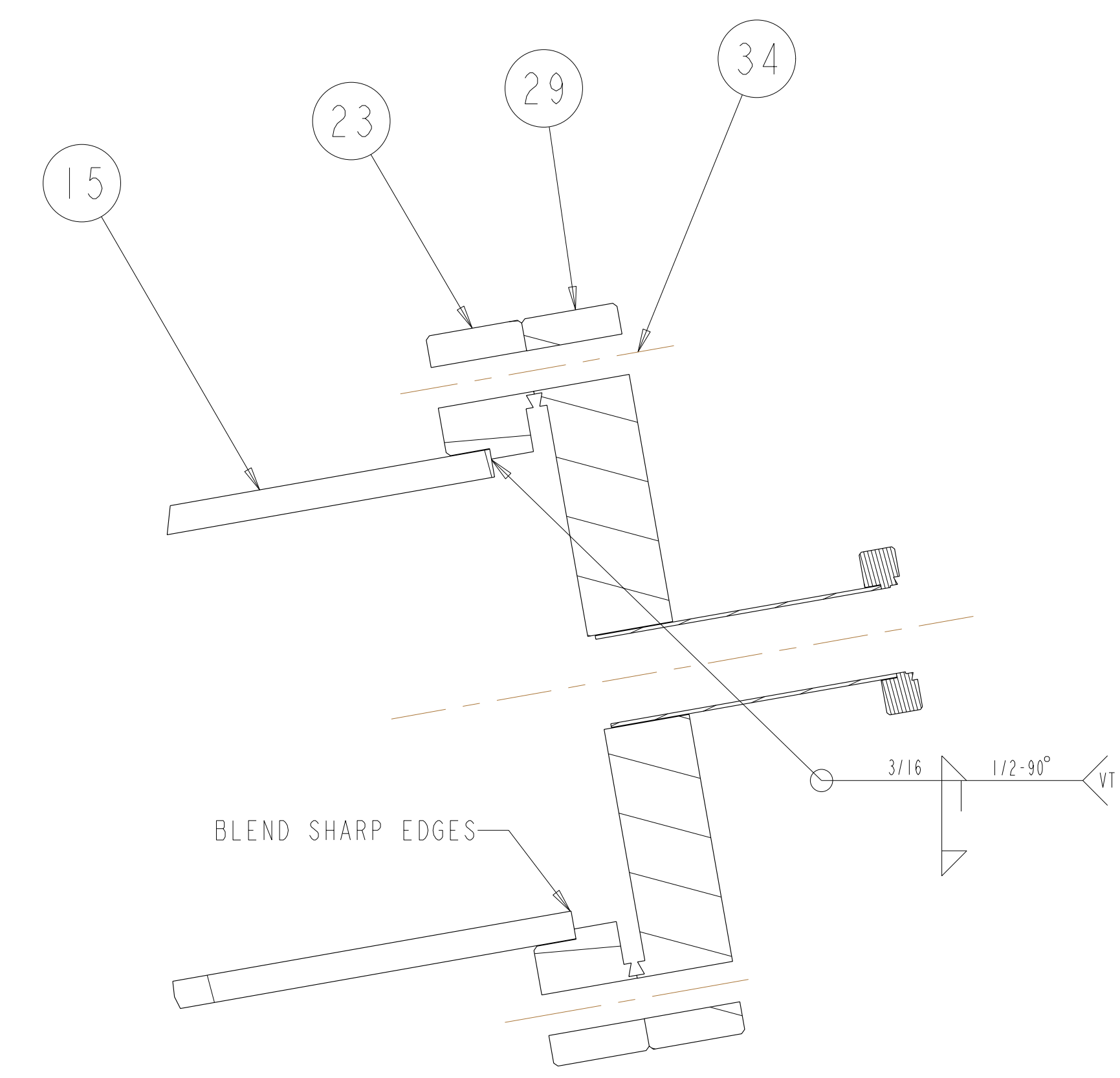
Oak Ridge National Laboratory managed for the DEPARTMENT OF ENERGY under U.S. GOVERNMENT contract DE-AC05-00OR22725 UT-BATTELLE, LLC, Oak Ridge, Tennessee PROJECT NAME						
NATIONAL COMPACT STELLARATOR EXPERIMENT VACUUM VESSEL PERIOD INSPECTION AND LEAK CHECK ASSEMBLY						
VERSION NO.	PLANT	BLDG	FL	SHT OF	TYPE	CLASS
1	X-10	5700	3	16 19	A	U
RELEASE LEVEL		SE120-004				
Fabrication		REV 1				

H
G
F
E
D
C
B
A

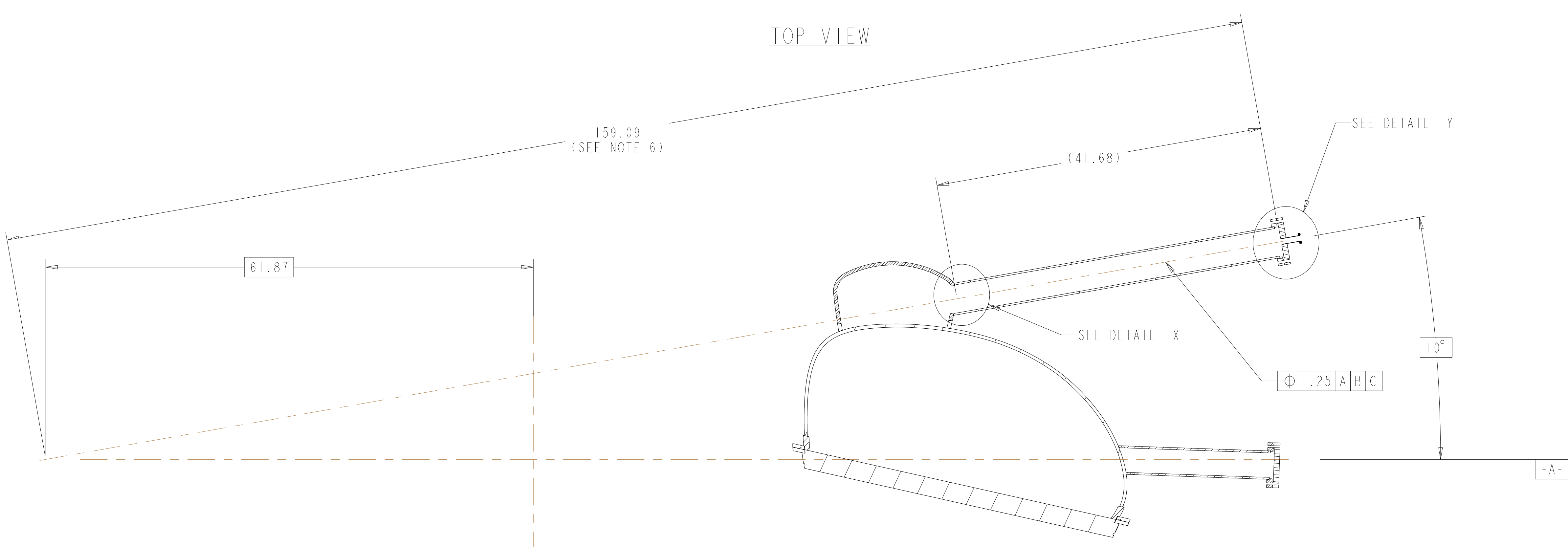
FOR PARTS LIST AND NOTES SEE SHEET 1.



DETAIL X
SCALE 1.00



DETAIL Y
SCALE 1.000



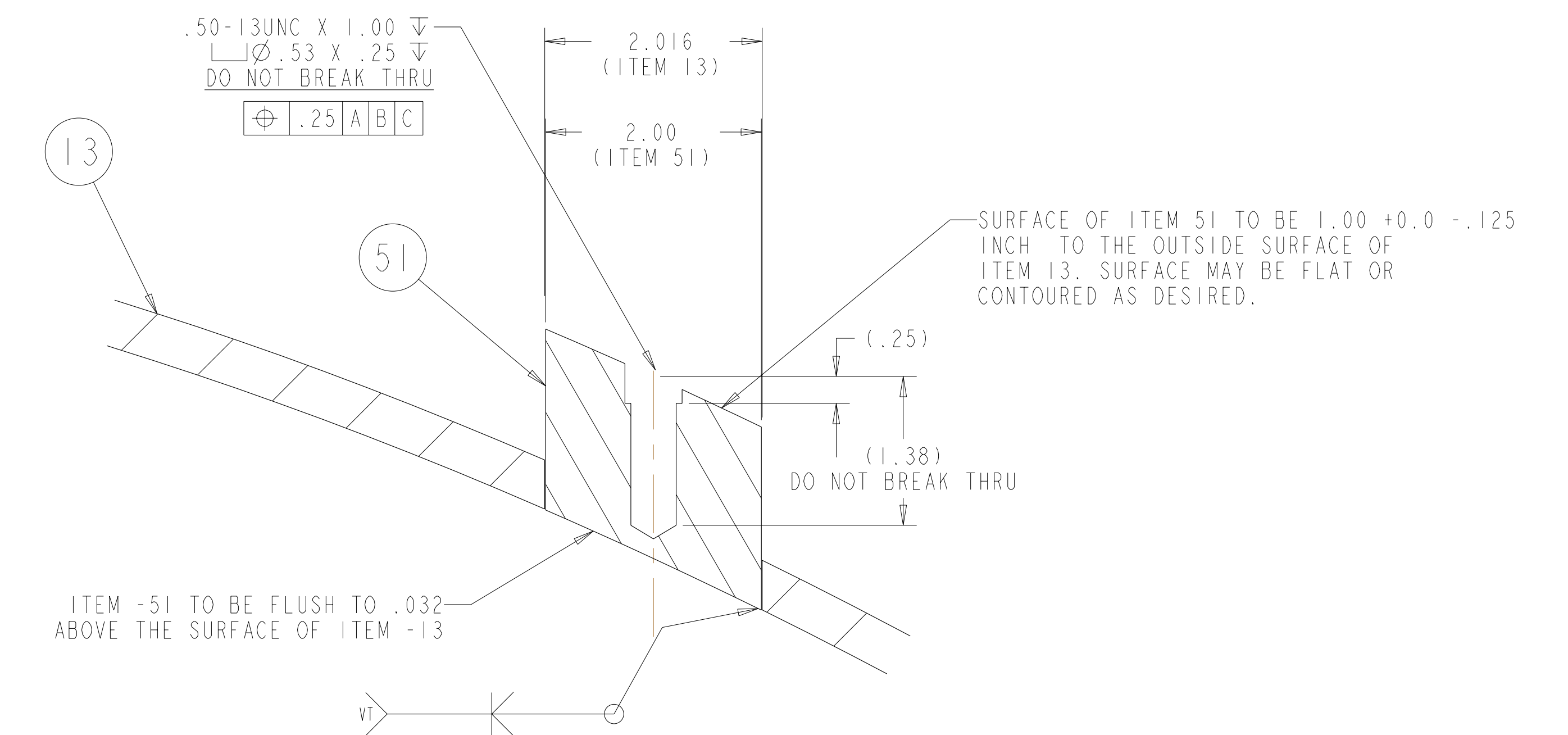
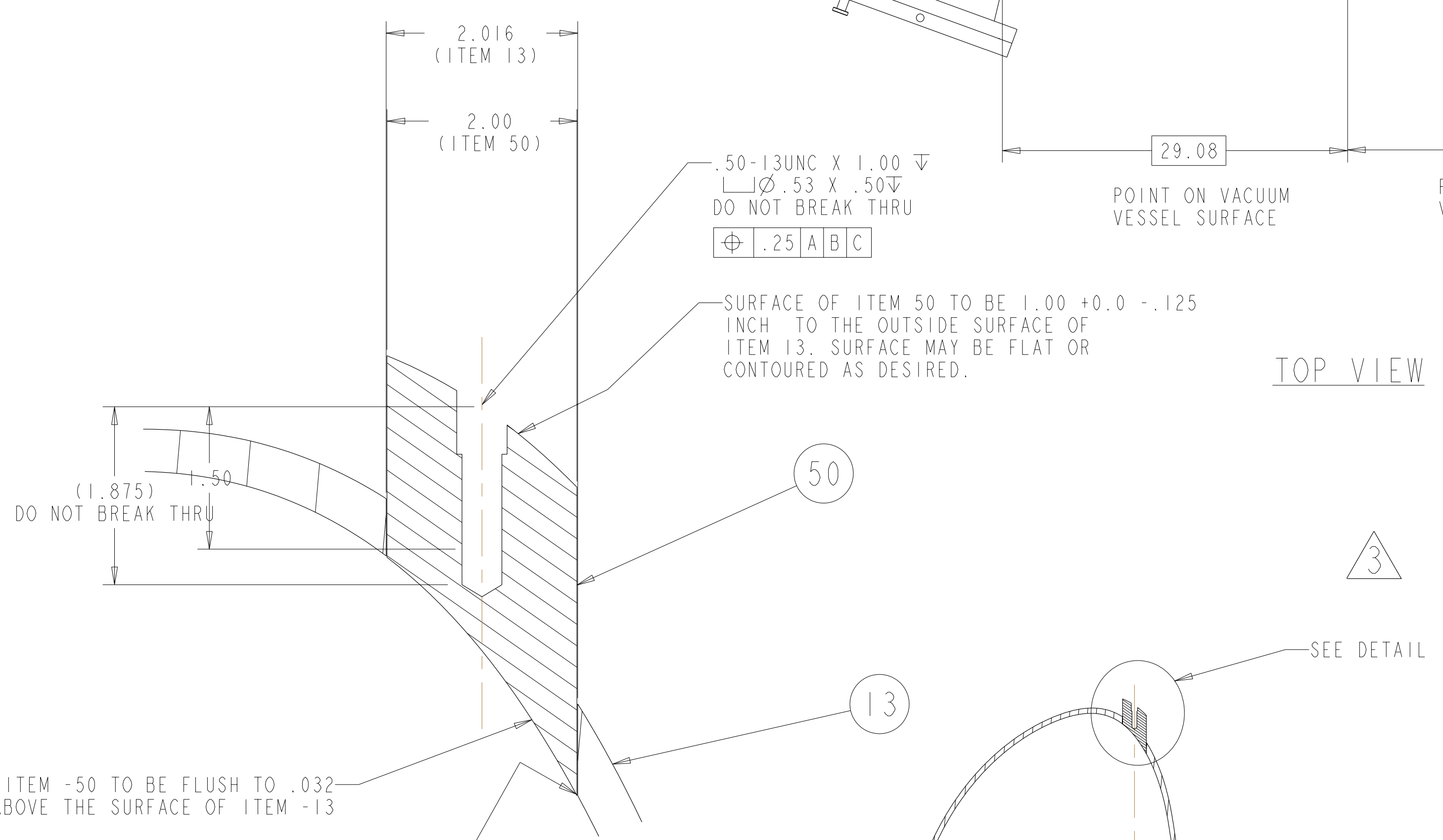
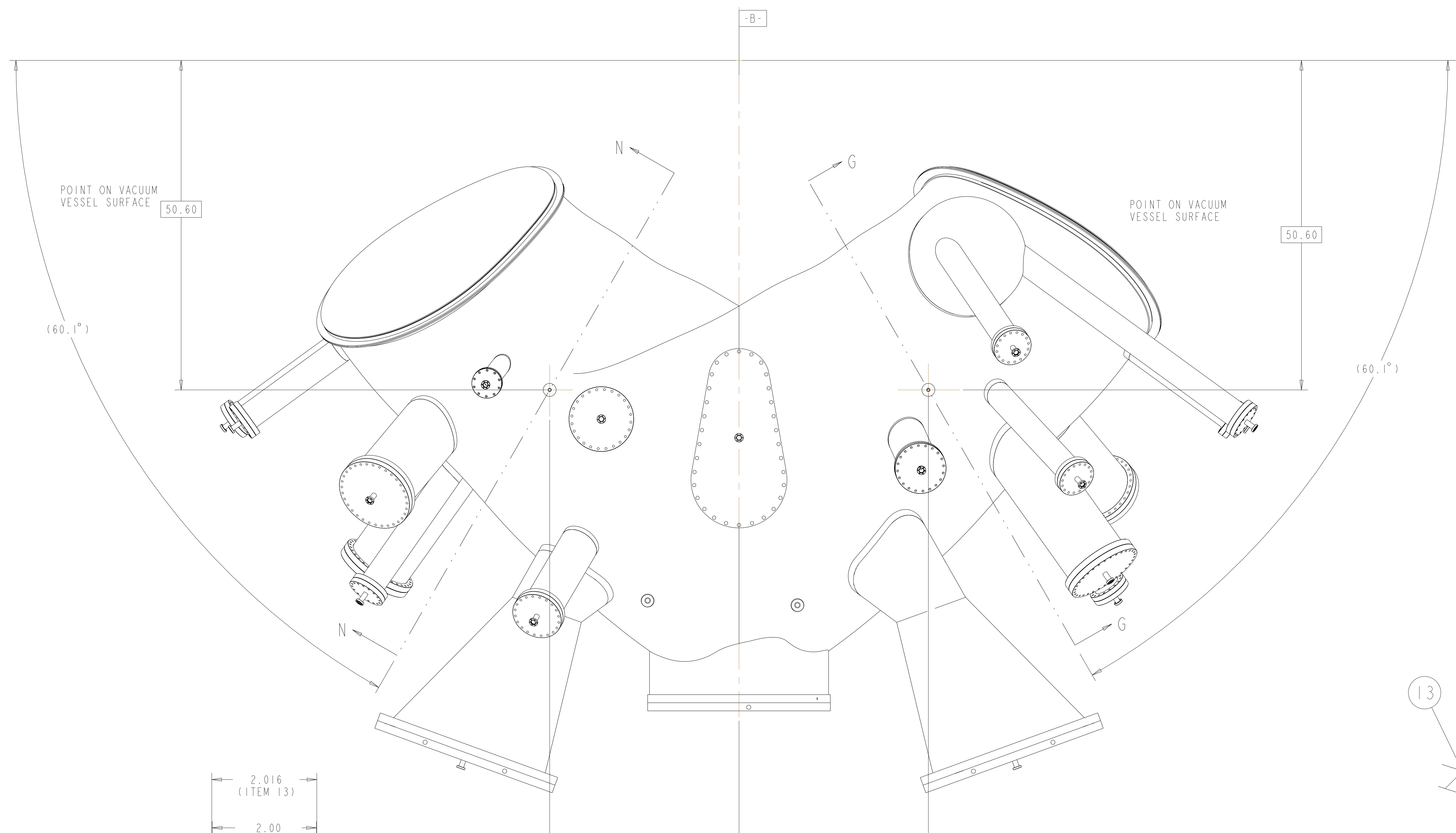
TYPICAL PORT 18A AND 18B
SECTION PORT18-PORT18

RELEASED FOR FABRICATION / INSTALLATION
 PPPL Drafting:

UT-BATTELLE		Oak Ridge National Laboratory managed for the DEPARTMENT OF ENERGY under U.S. GOVERNMENT contract DE-AC05-00OR22725 UT-BATTELLE, LLC, Oak Ridge, Tennessee					
PROJECT NAME							
NATIONAL COMPACT STELLARATOR EXPERIMENT							
VACUUM VESSEL							
PERIOD INSPECTION AND LEAK CHECK							
ASSEMBLY							
VERSION NO.	PLANT	BLDG	FL	SHT OF	TYPE	CLASS	
1	X-10	5700	3	17 19	A	U	
RELEASE LEVEL		SE120-004					
Fabrication		1					

H
G
F
E
D
C
B
A

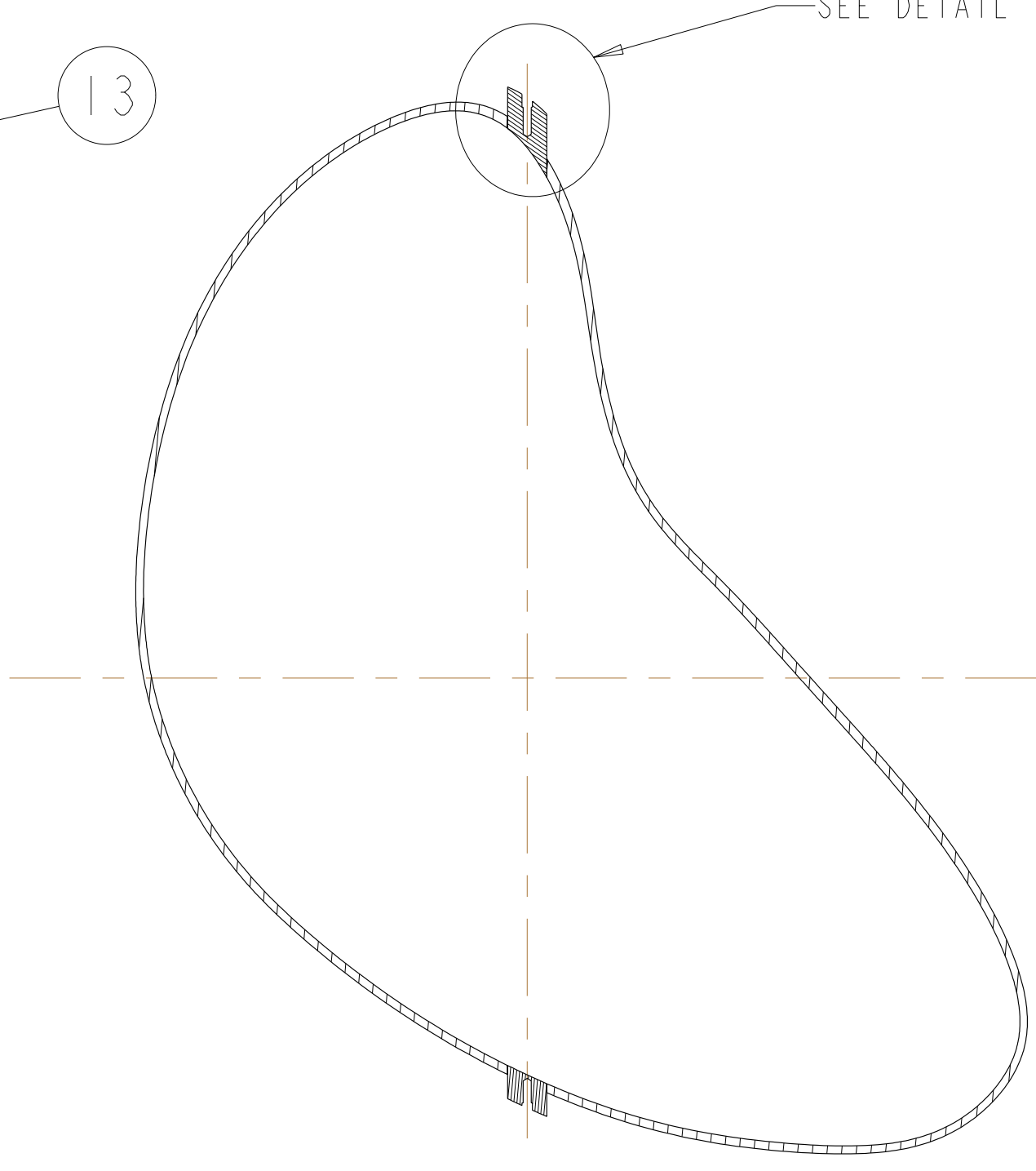
FOR PARTS LIST AND NOTES SEE SHEET 1.



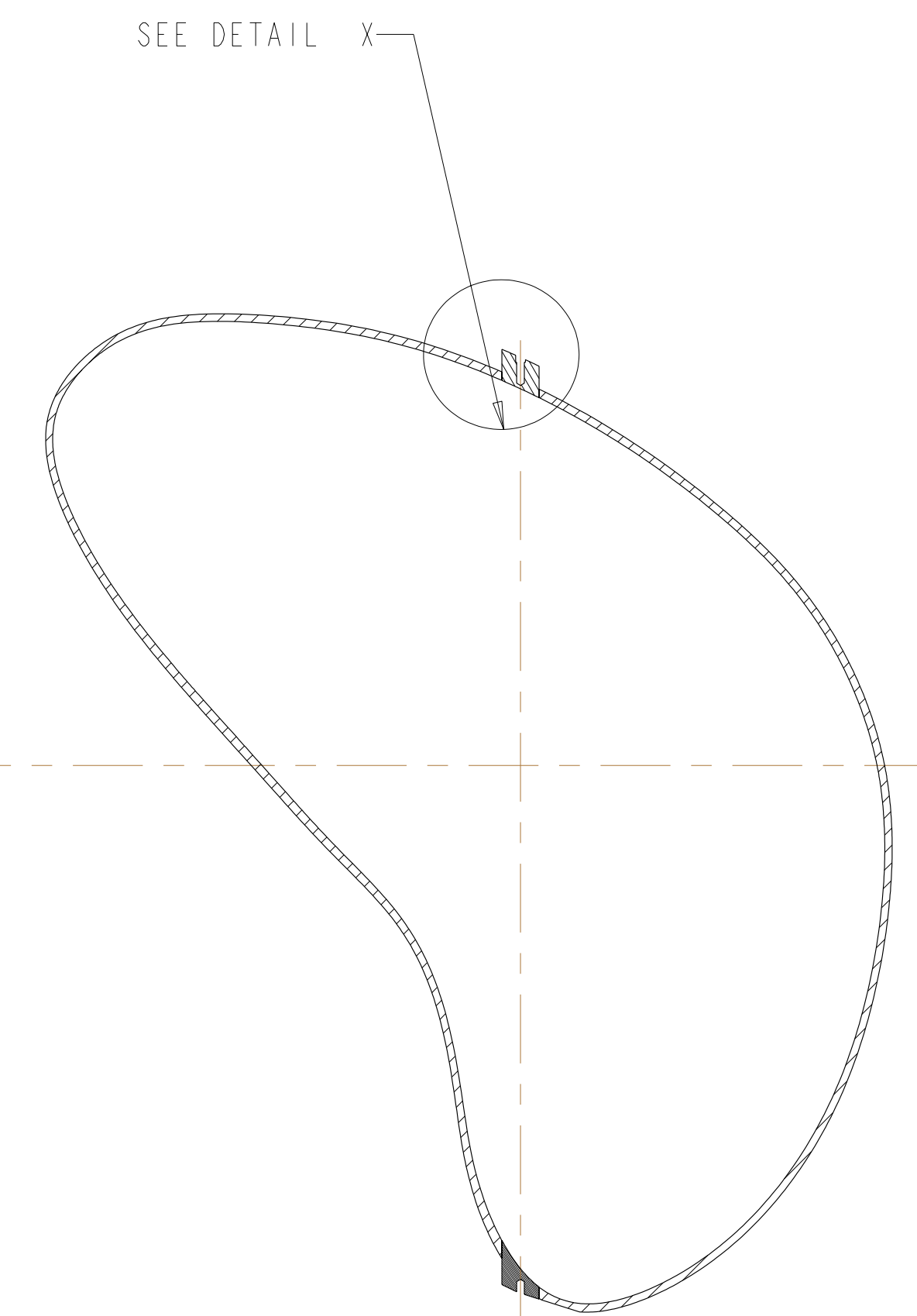
TOP VIEW

DETAIL X
TYPICAL 2 PLACES
SCALE 1.00

DETAIL Z
SCALE 1.00



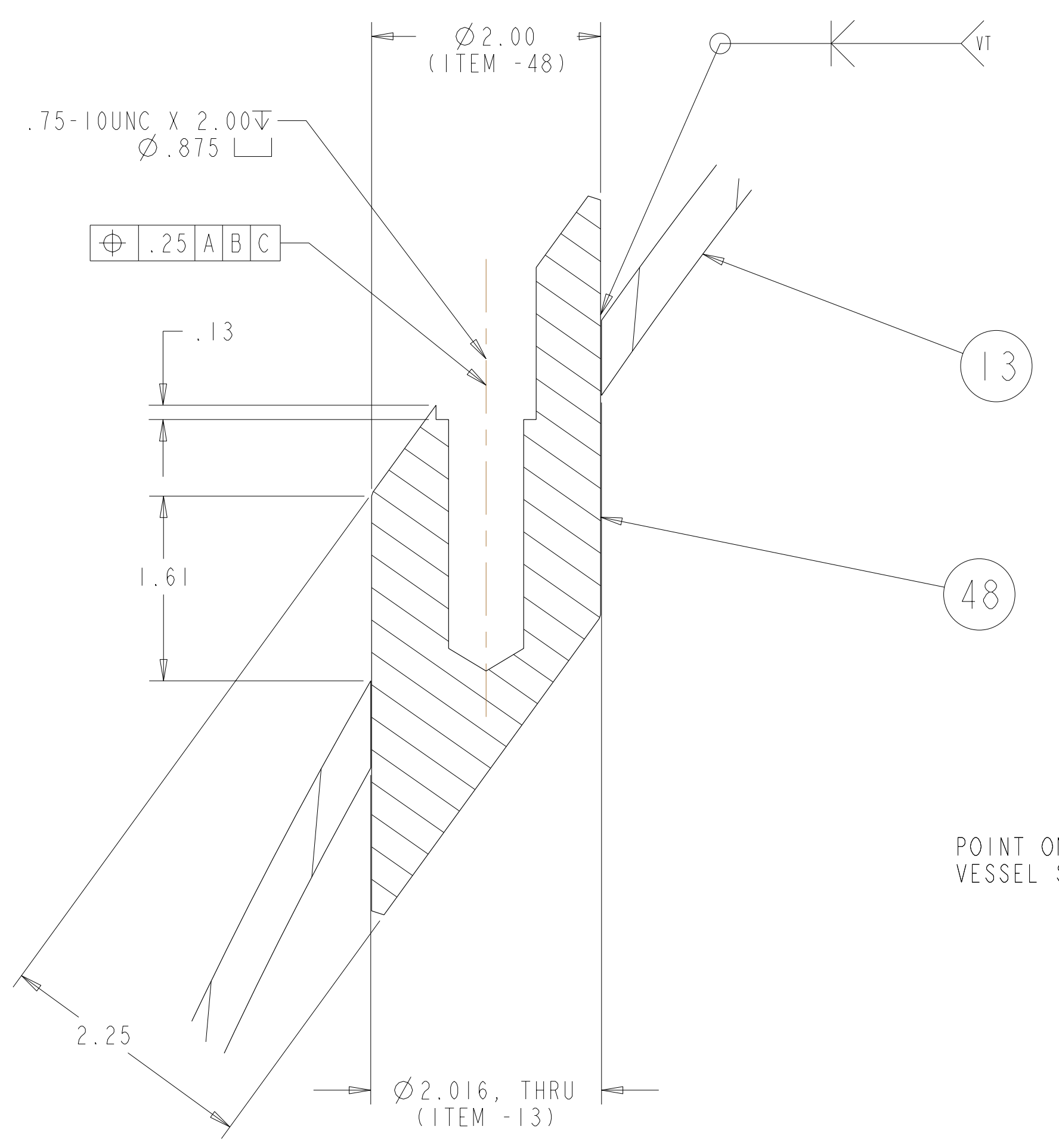
SECTION N-N



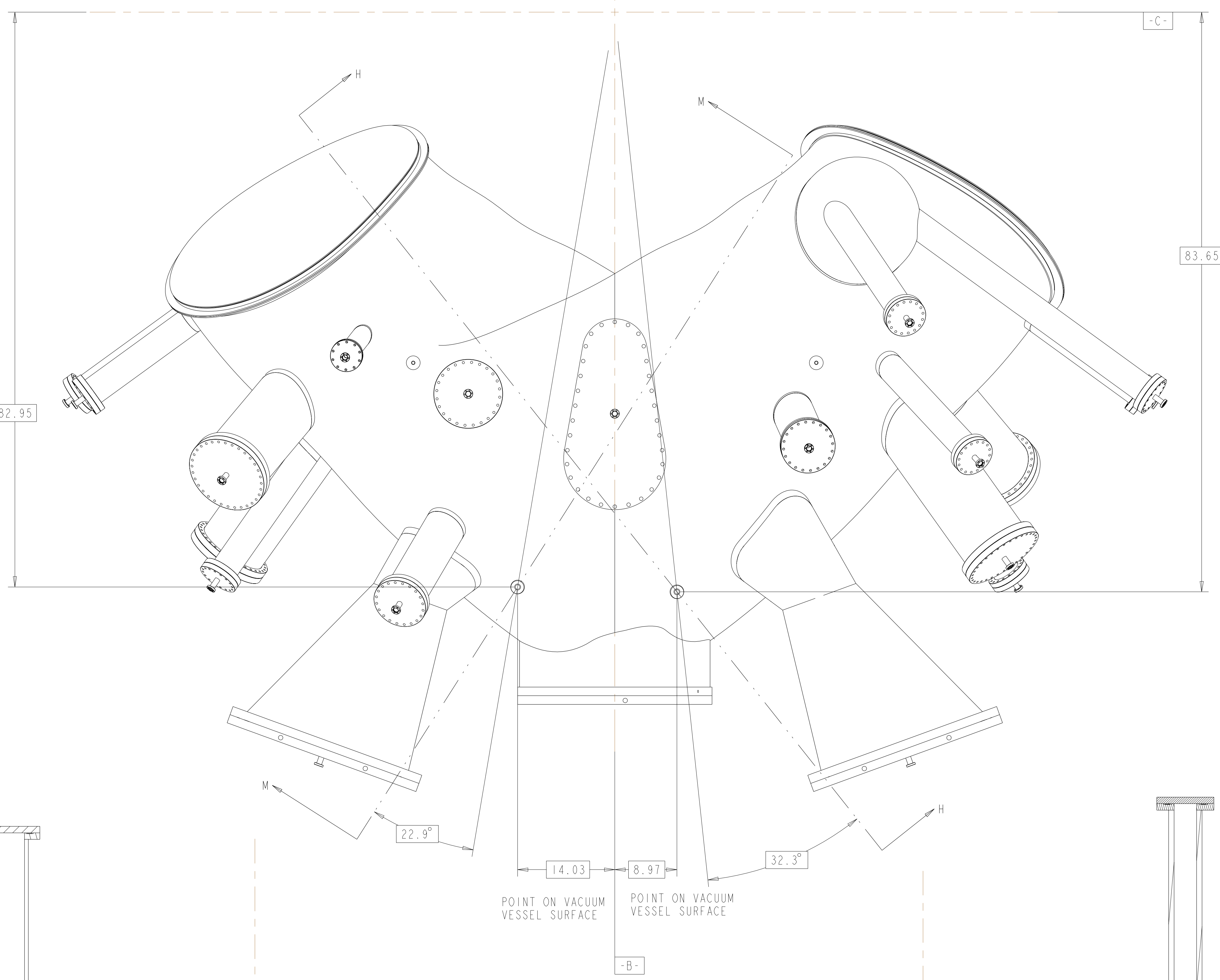
SECTION G-G

RELEASED FOR FABRICATION / INSTALLATION
PPPL Drafting:

UT-BATTELLE		Oak Ridge National Laboratory managed for the DEPARTMENT OF ENERGY under U.S. GOVERNMENT contract DE-AC05-00OR22725 UT-BATTELLE, LLC, Oak Ridge, Tennessee	
PROJECT NAME			
NATIONAL COMPACT STELLARATOR EXPERIMENT			
VACUUM VESSEL PERIOD INSPECTION AND LEAK CHECK ASSEMBLY			
VERSION NO.	PLANT	BLDG	FL SHT OF TYPE CLASS
1	X-10	5700	3 8 19 A U
RELEASE LEVEL		SE120-004	
Fabrication		REV 1	



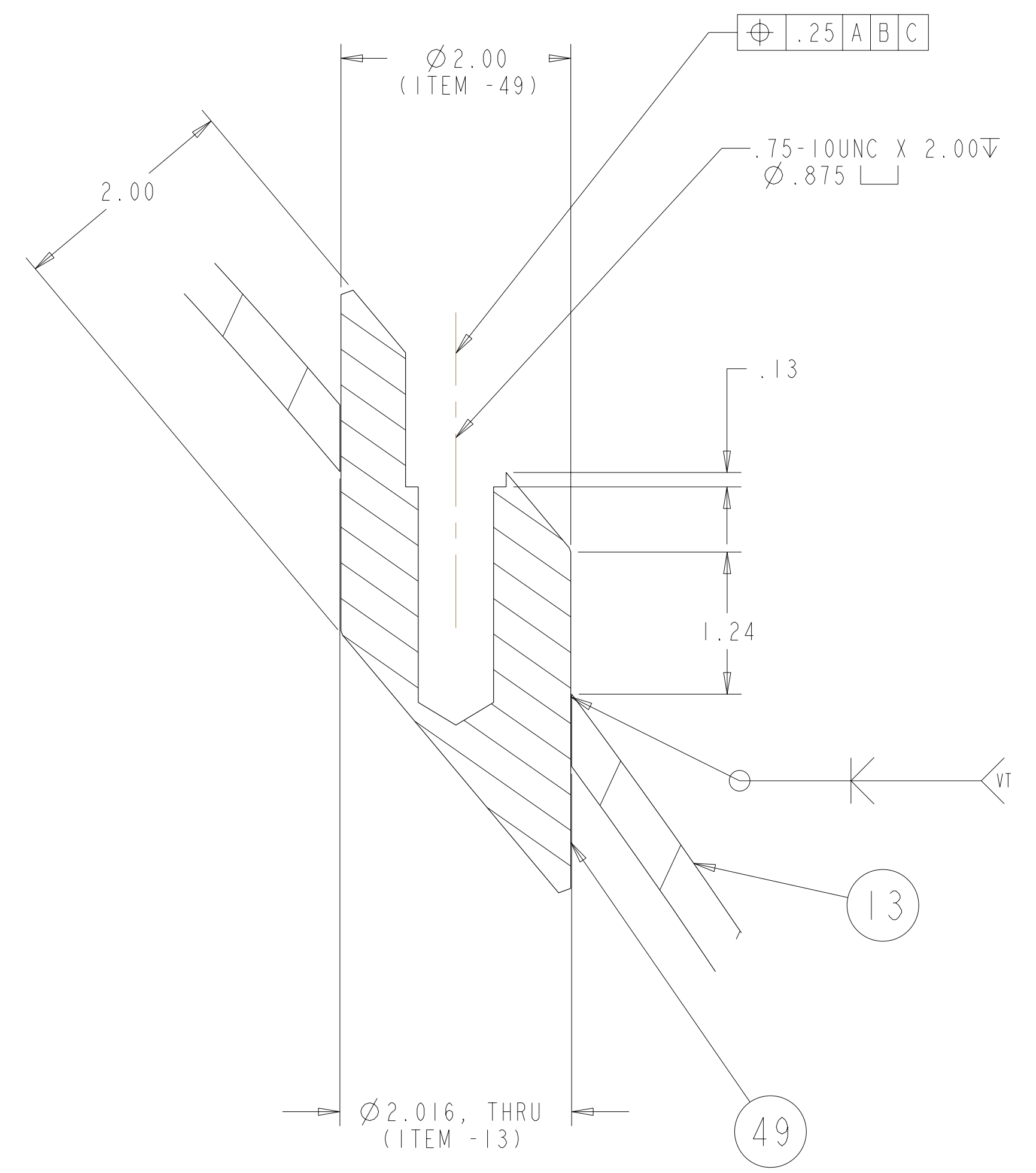
DETAIL W
SCALE 1.00



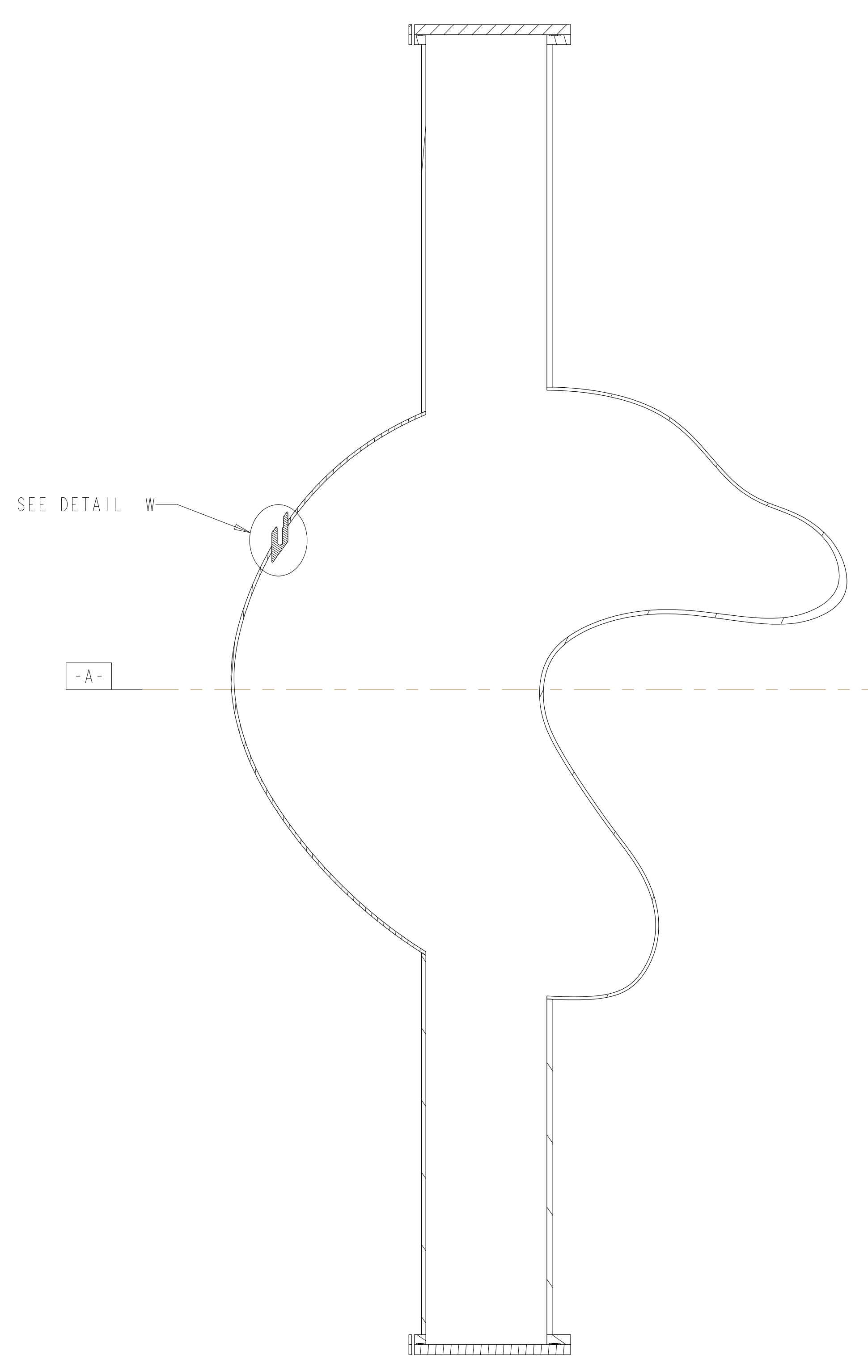
TOP VIEW

FOR PARTS LIST AND NOTES SEE SHEET 1.

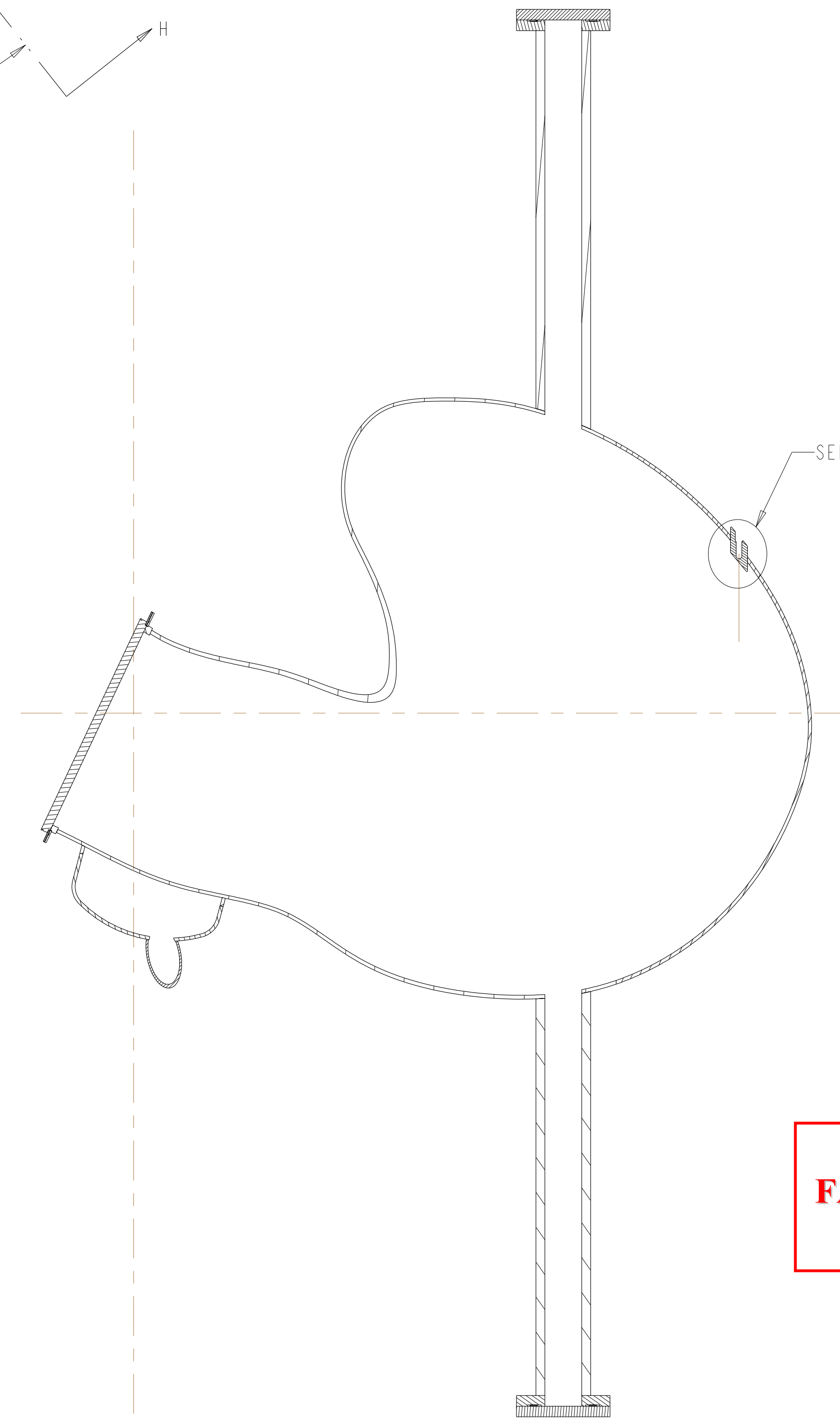
POINT ON VACUUM VESSEL SURFACE



DETAIL Y
SCALE 1.00



SECTION M-M
SCALE 0.09



SECTION H-H
SCALE 0.09

**RELEASED FOR
FABRICATION / INSTALLATION**
PPPL Drafting:

UT-BATTELLE							Oak Ridge National Laboratory managed for the DEPARTMENT OF ENERGY under U.S. GOVERNMENT contract DE-AC05-00OR22725 UT-BATTELLE, LLC, Oak Ridge, Tennessee						
PROJECT NAME													
NATIONAL COMPACT STELLARATOR EXPERIMENT													
VACUUM VESSEL PERIOD INSPECTION AND LEAK CHECK ASSEMBLY													
VERSION NO.	PLANT	BLDG	FL	SHT OF	TYPE	CLASS							
1	X-10	5700	3	19	19	A							
RELEASE LEVEL							SE120-004						
Fabrication							U REV 1						

SE120-004