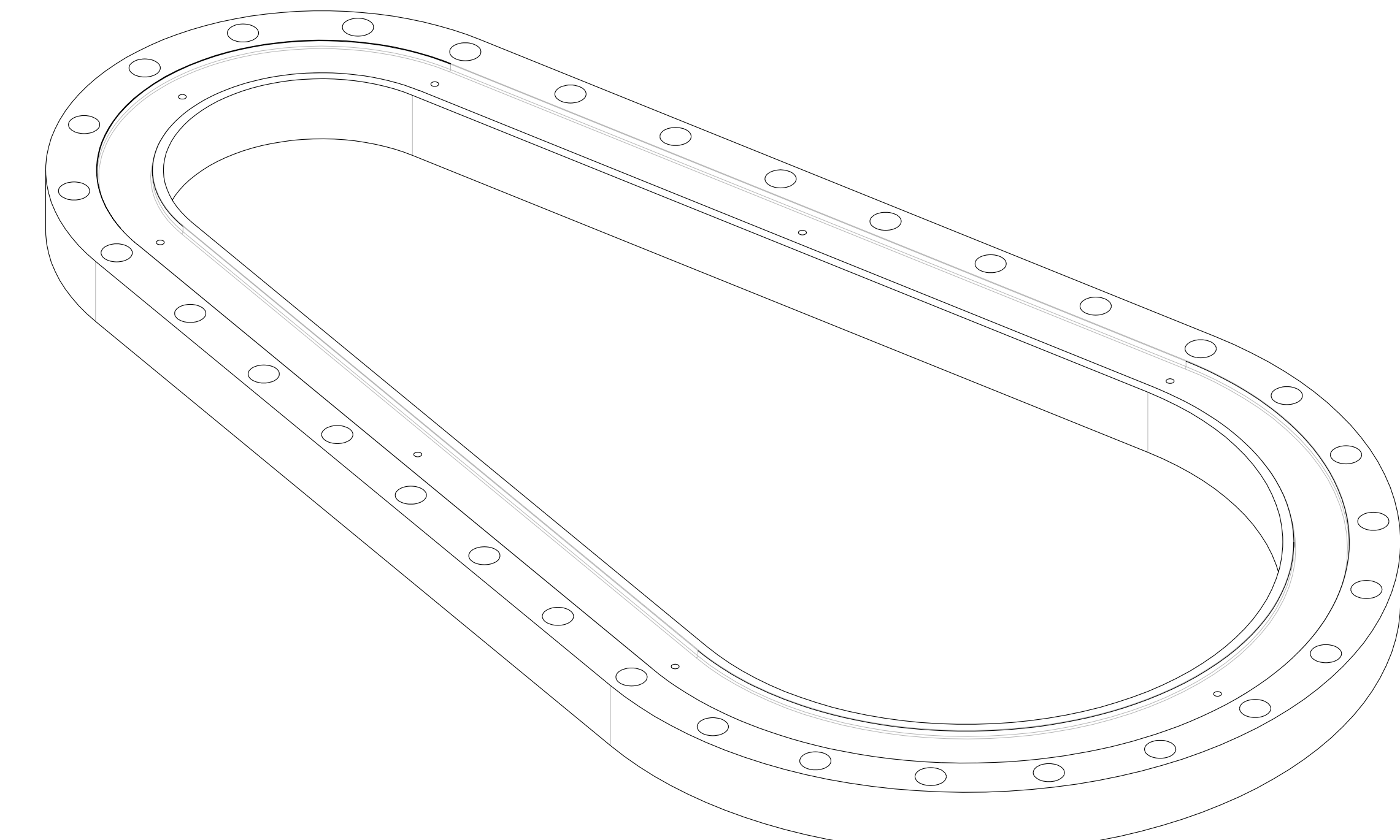
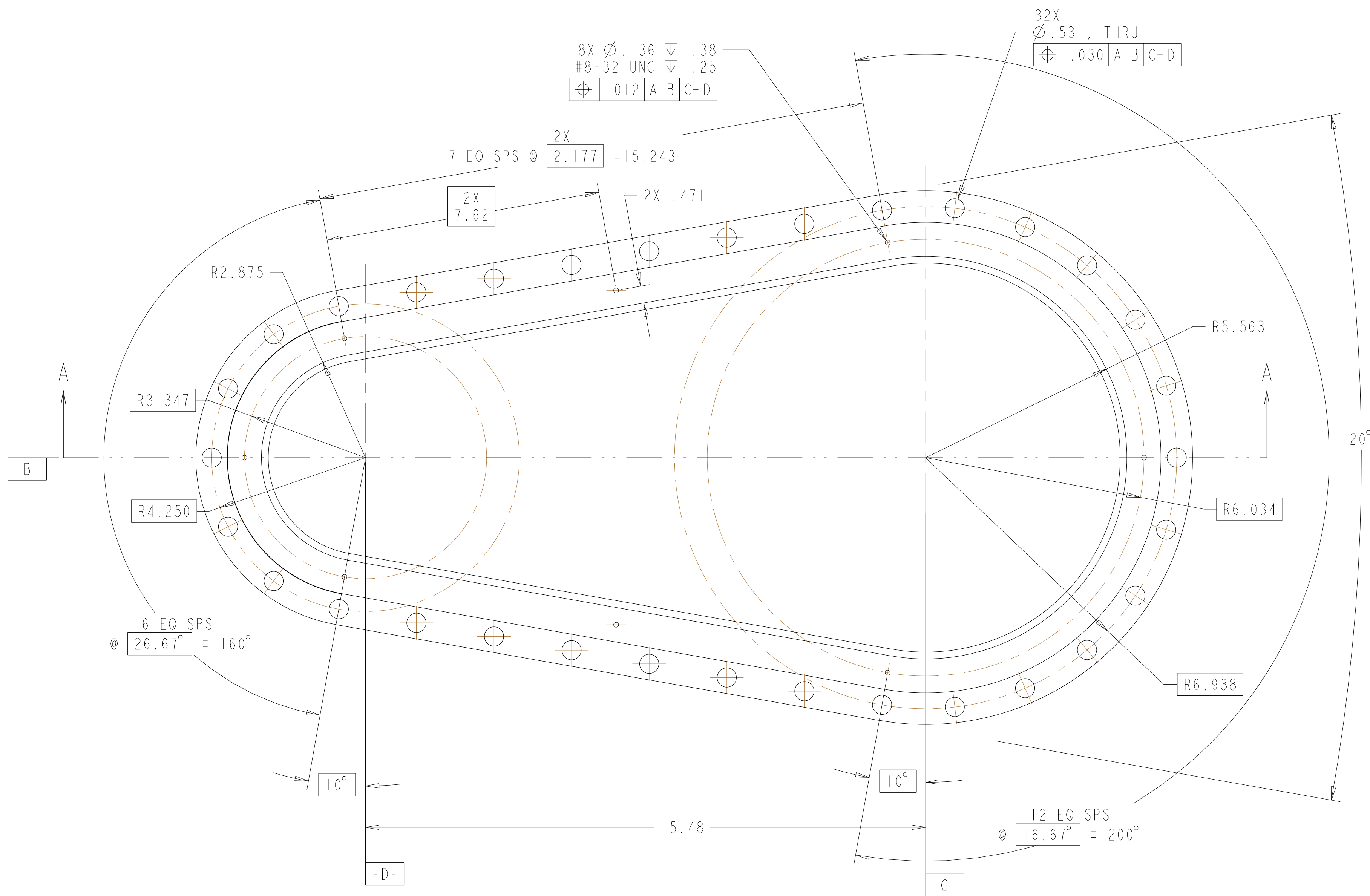


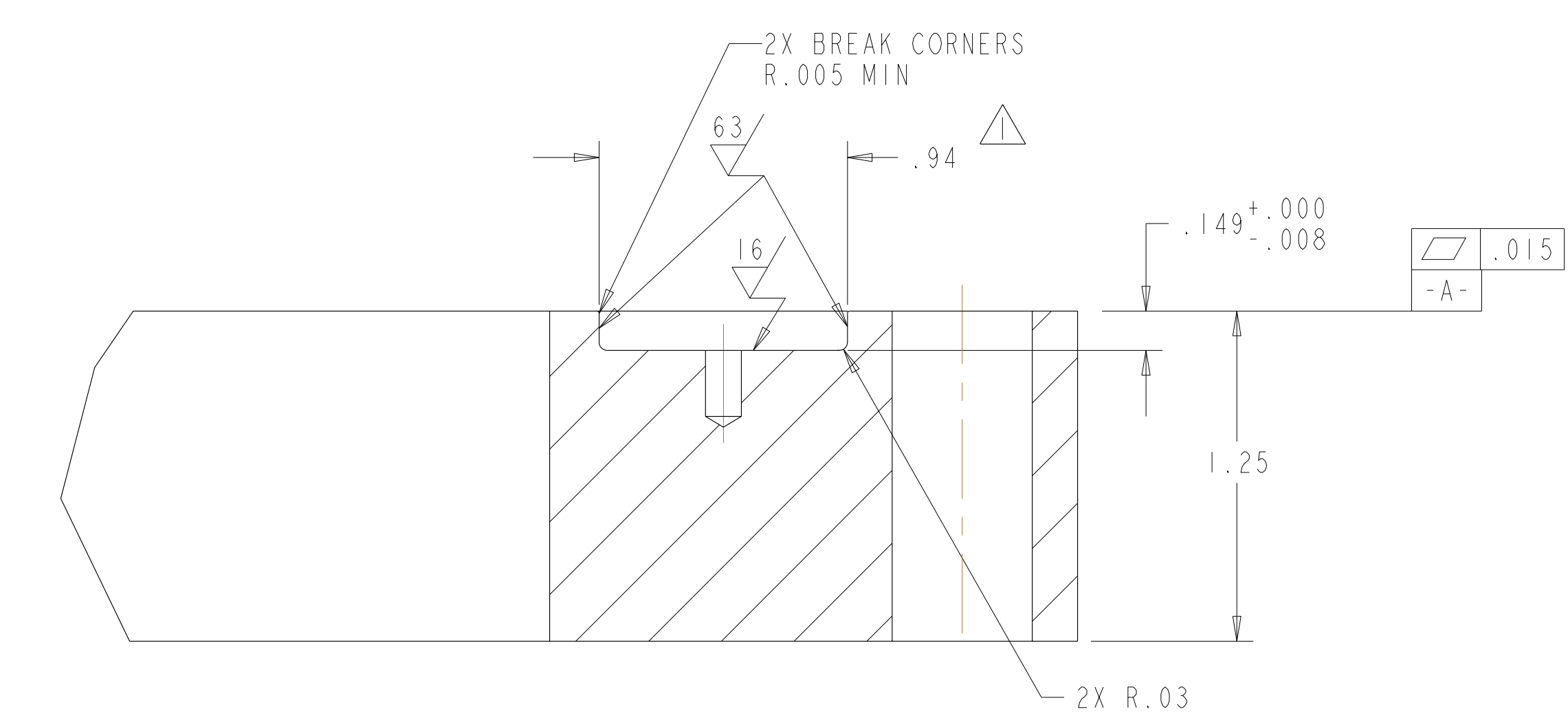
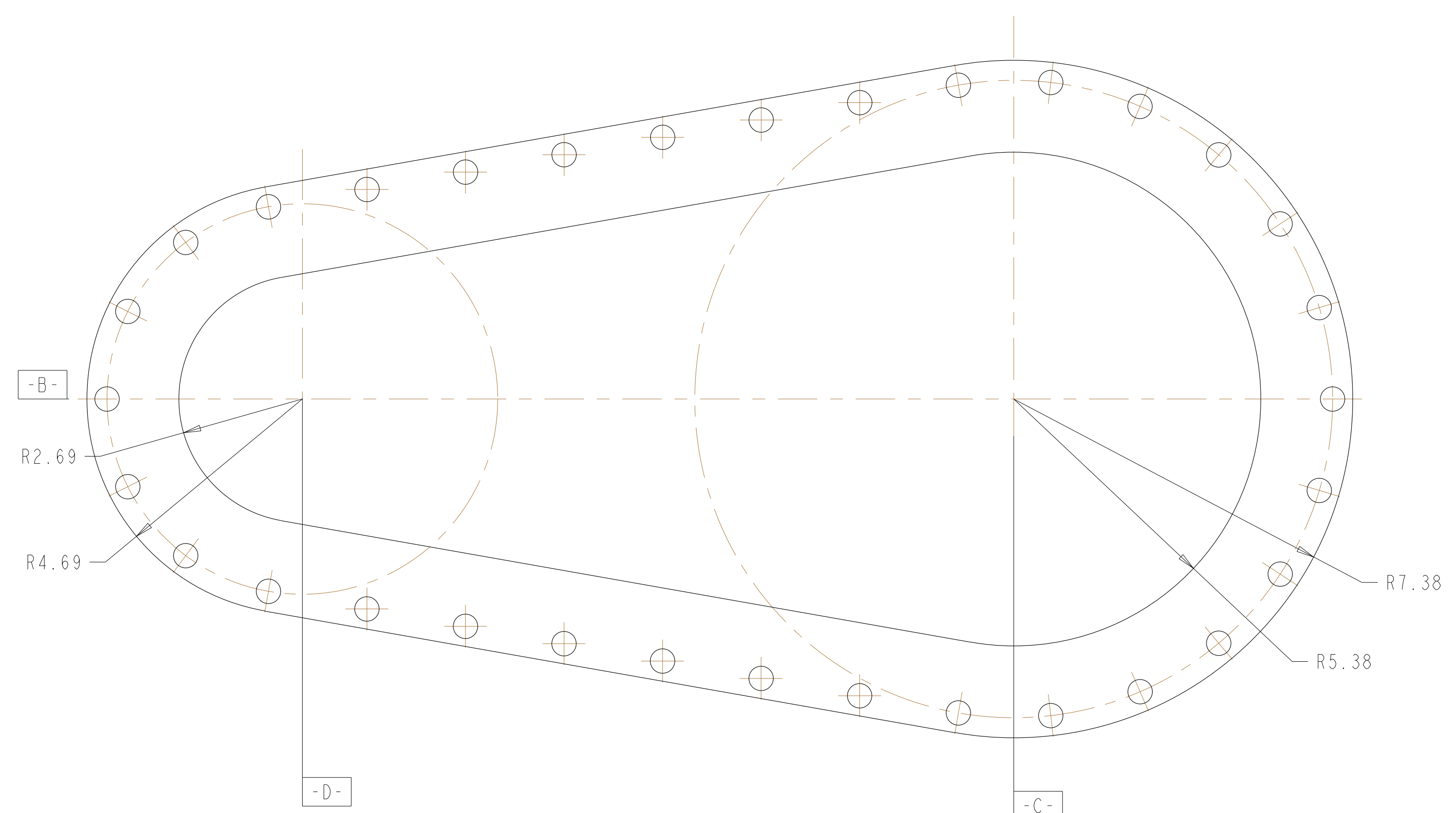
- NOTES:
1. INTERPRET DIMENSIONS AND TOLERANCES PER ANSI Y14.5M
  2. DIMENSIONS ARE IN INCHES
  3. ALL DIMENSIONS TO BE MET AT ASSEMBLY SEI20-002
  4. FABRICATION, INSPECTION, AND TESTING SHALL BE PERFORMED IN ACCORDANCE WITH SPECIFICATION NCSX-CSPEC-121-02 AND STATEMENT OF WORK NCSX-SOW-121-03.



ISOMETRIC VIEW



SEE DETAIL X



DETAIL X  
SCALE 2.00

**RELEASED FOR  
FABRICATION / INSTALLATION**  
PPPL Drafting:

SCALE: .50

AR	-1	PORT 12 FLANGE	SS 316L		
CAGE CODE	PART OR IDENTIFYING NO	NOMENCLATURE OR DESCRIPTION	MATERIAL	SPECIFICATION	FIND NO
SEI20-004	-1	PORT 12 FLANGE	SS 316L		
	NEXT ASSEMBLY	PARTS LIST			

NO REPRESENTATION OR WARRANTY, EXPRESSED OR IMPLIED, IS MADE AS TO THE ACCURACY, COMPLETENESS OR USEFULNESS OF THE INFORMATION OR STATEMENTS CONTAINED IN THESE DRAWINGS, OR THAT THE USE OR DISCLOSURE OF ANY INFORMATION, APPARATUS, METHOD OR PROCESS DISCLOSED IN THESE DRAWINGS MAY NOT INFRINGE PRIVATE RIGHTS OF OTHERS. NO LIABILITY IS ASSUMED WITH RESPECT TO THE USE OF, OR FOR DAMAGES RESULTING FROM THE USE OF, ANY INFORMATION, APPARATUS, METHOD OR PROCESS DISCLOSED IN THESE DRAWINGS. DRAWINGS MADE AVAILABLE FOR INFORMATION TO BIDDERS ARE NOT TO BE USED FOR OTHER PURPOSES, AND ARE TO BE RETURNED UPON REQUEST OF THE FORWARDING CONTRACTOR.

**P** THIS DRAWING PRODUCED ON PRO-ENGINEER

REV	DESCRIPTION	BY	DATE	CHK	DEPT	DATE	PE	REQ	DATE	ORNL	DOE	DATE
1	REVISD PER ECN-4933	MJC	11/22/04	PLG								
2	DIMENSION WAS .941											

SCALE NOTED	DES: M COLE	5-27-04	<b>UT-BATTELLE</b> Oak Ridge National Laboratory managed for the DEPARTMENT OF ENERGY under U.S. GOVERNMENT contract DE-AC05-00OR22725 UT-BATTELLE, LLC, Oak Ridge, Tennessee PROJECT NAME: NATIONAL COMPACT STELLARATOR EXPERIMENT VACUUM VESSEL PORT 12 FLANGE DETAIL
TOLERANCES UNLESS OTHERWISE SPECIFIED	DRW: G LOVETT	5-27-04	
	CHK: MT BROWN	6-01-04	
FRACTIONS	DEPT:		
XX DECIMALS ±.01	PE:		
XXX DECIMALS ±.005	CR:		
ANGLES ±0°15'	PJ:		
BREAK SHARP EDGES .06 MAX	REG:		
FINISH .125 UNLESS OTHERWISE SPECIFIED	PPPL DRFT J. SEIGAL		
	VERSION NO.	0	
	PLANT	X-10	
	BLDG	5700	
	FL	3	
	SHT	1	
	OF	1	
	TYPE	S	
	CLASS	U	
	REV	1	
	DRAWING APPROVALS	DATE	RELEASE LEVEL
			Fabrication
			SEI22-018