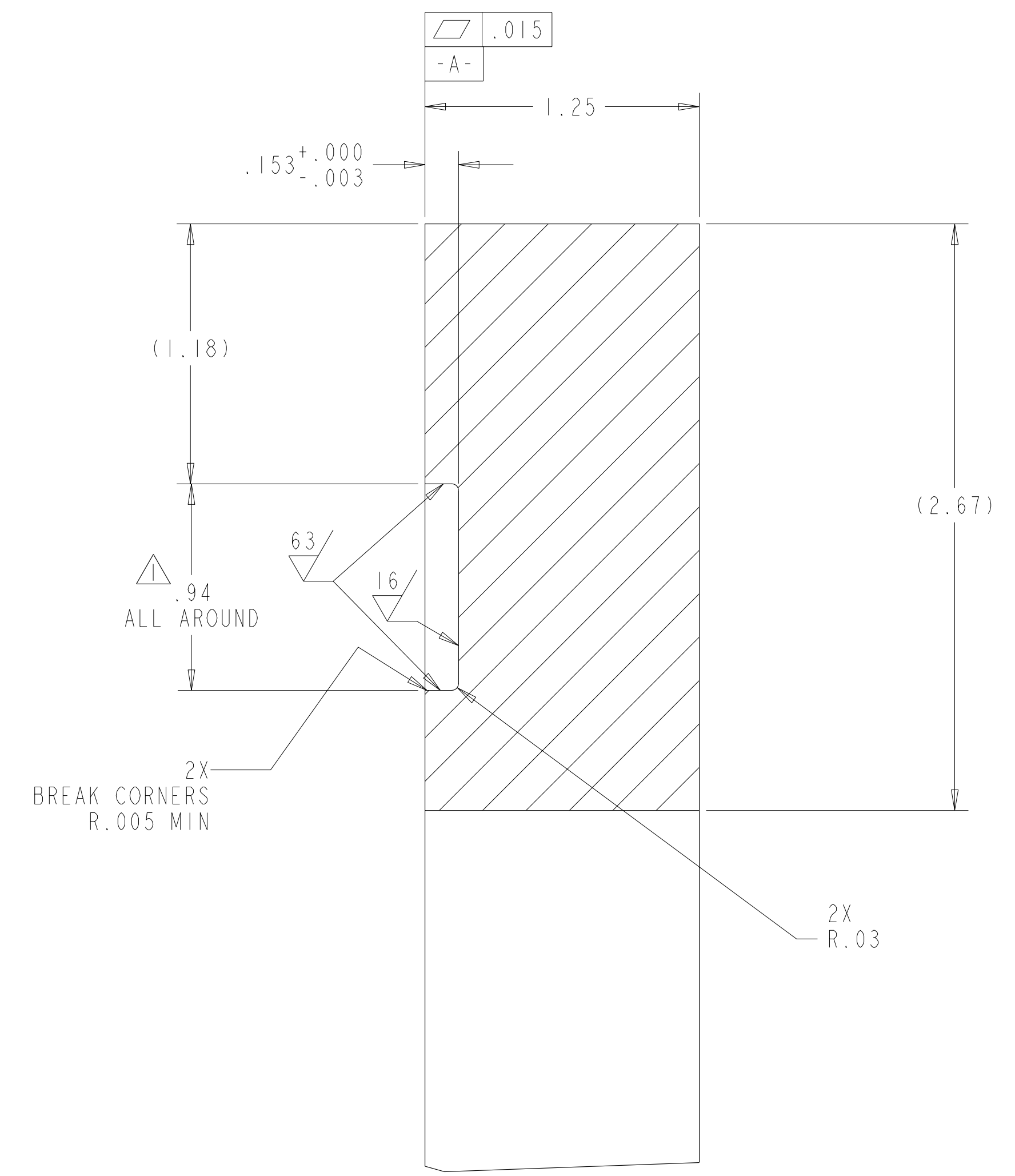
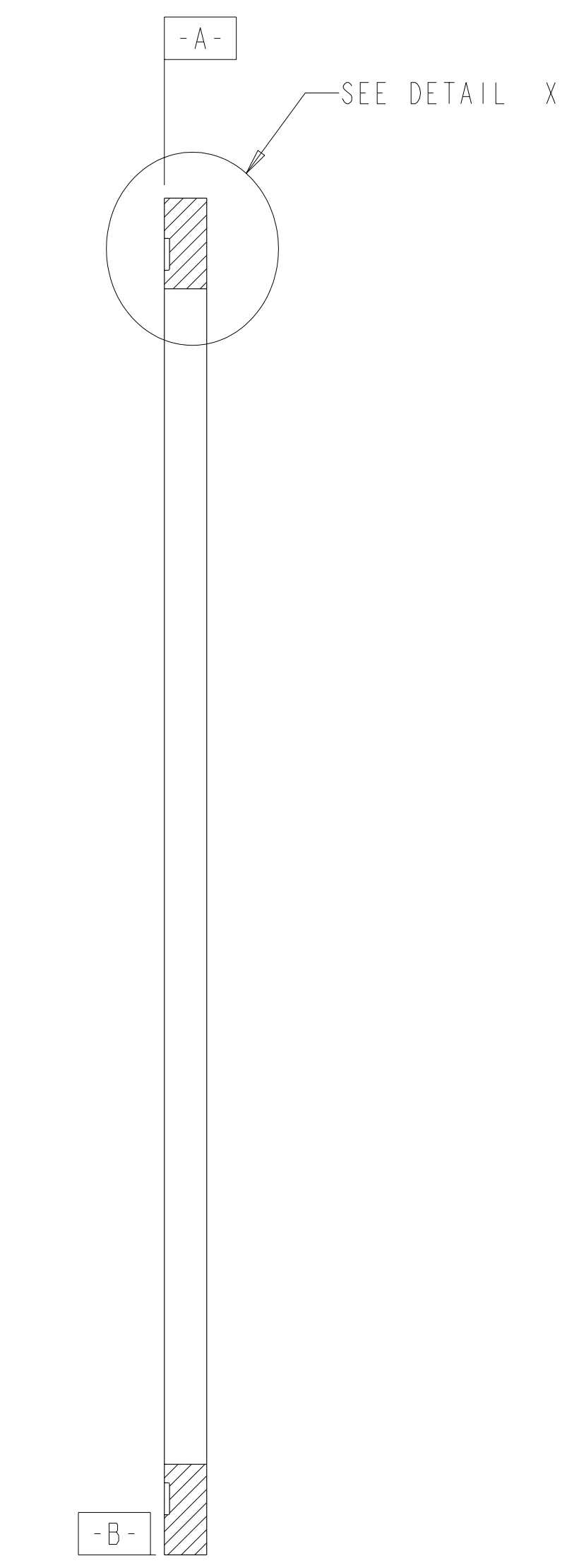
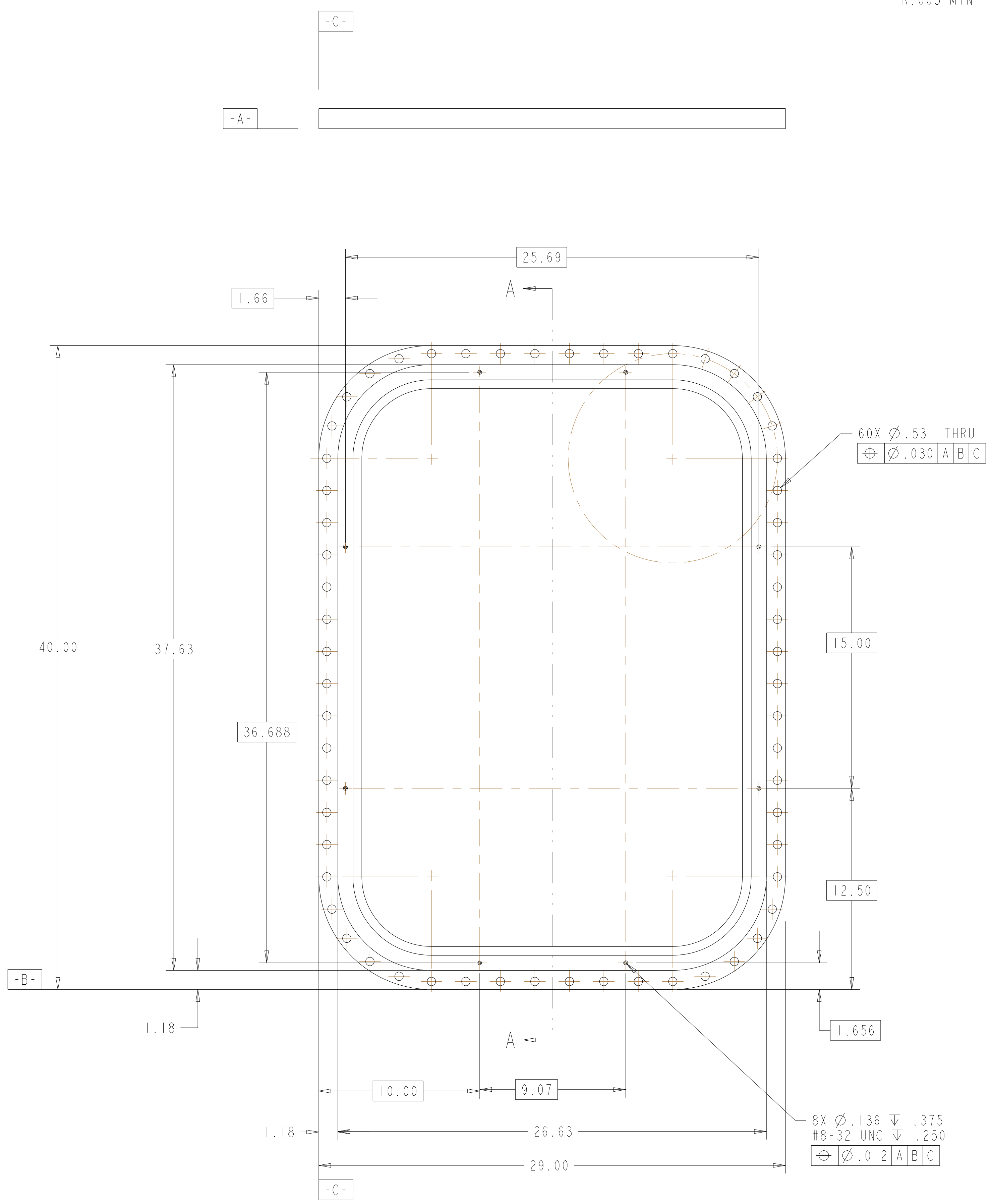


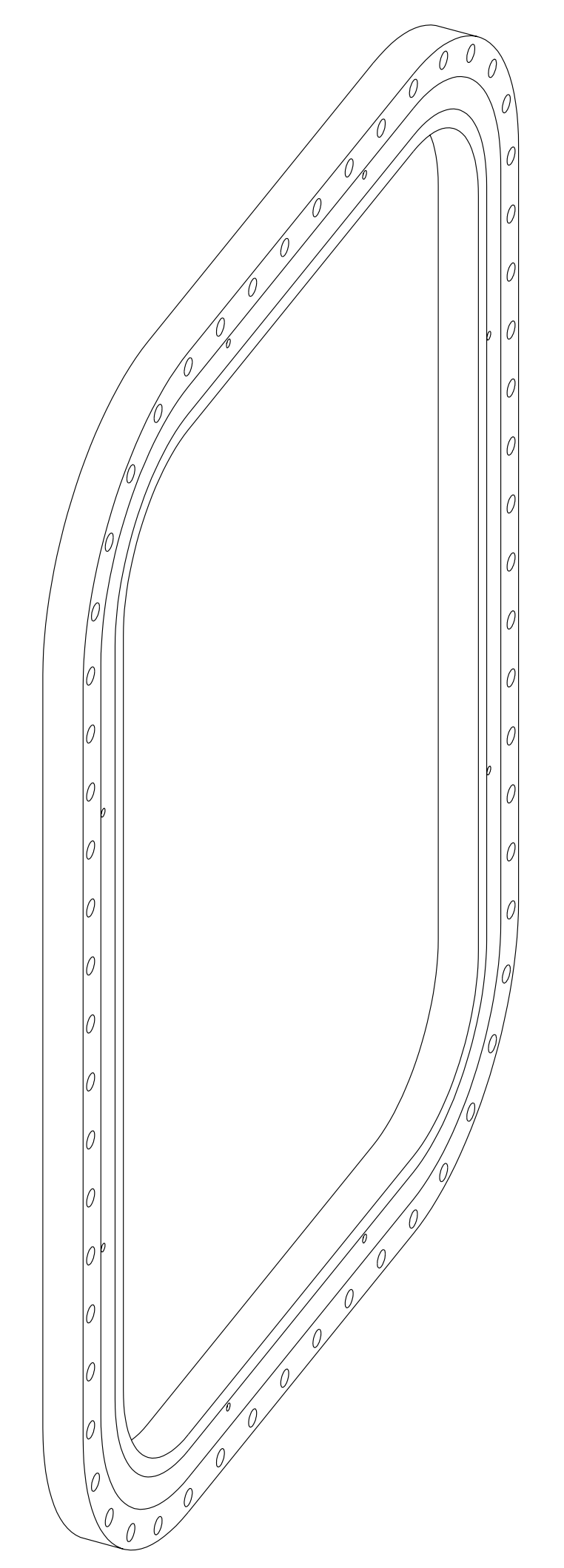
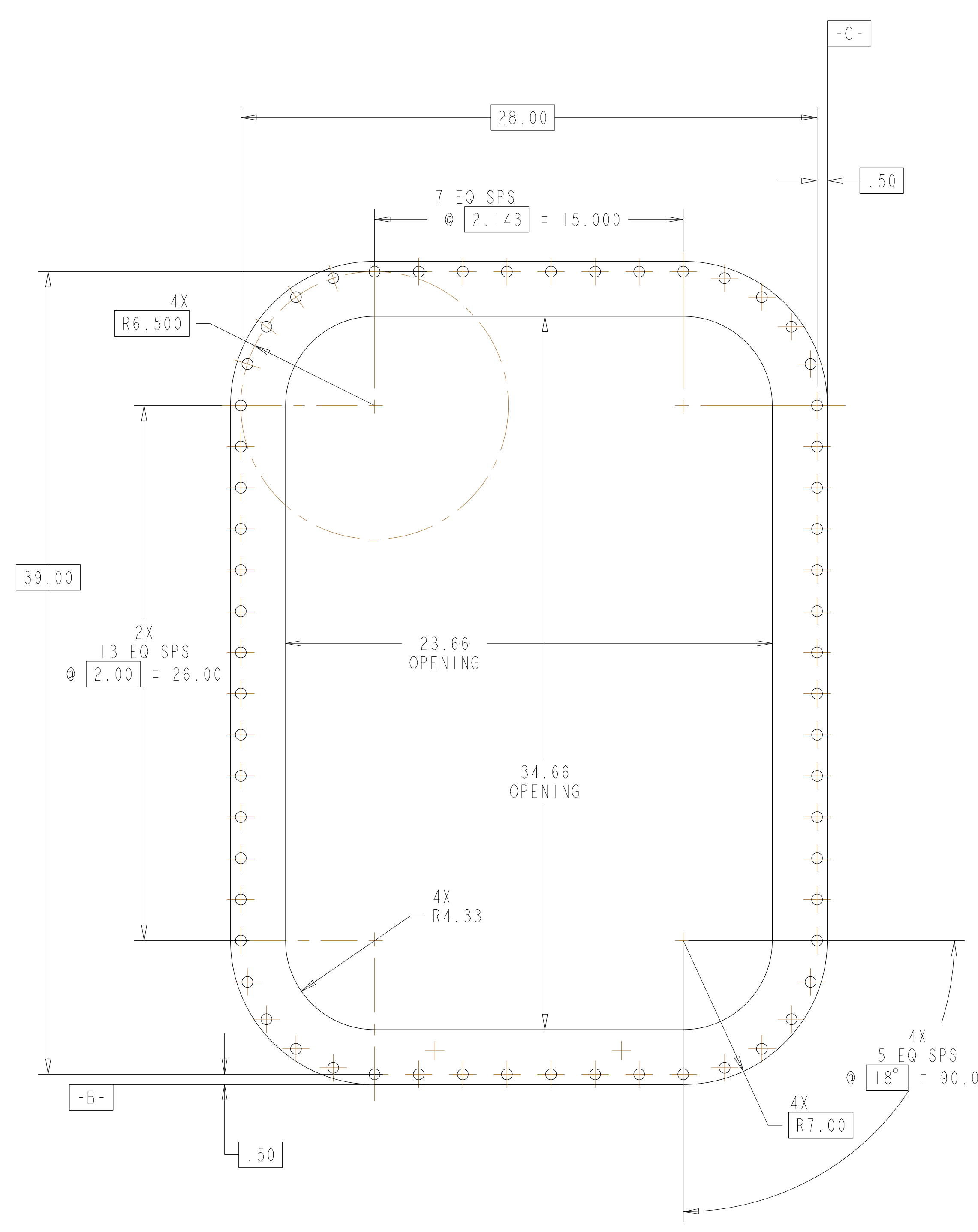
- NOTES:
1. INTERPRET DIMENSIONS AND TOLERANCES PER ANSI Y14.5M
  2. DIMENSIONS ARE IN INCHES
  3. ALL DIMENSIONS TO BE MET AT ASSEMBLY SE120-002.
  4. FABRICATION, INSPECTION, AND TESTING SHALL BE PERFORMED IN ACCORDANCE WITH SPECIFICATION NCSX-CSPÉC-121-02 AND STATEMENT OF WORK NCSX-SOW-121-03.



DETAIL X  
 SCALE 2.00



SECTION A-A  
 SCALE: .25



ISOMETRIC VIEW

**RELEASED FOR FABRICATION / INSTALLATION**  
 PPPL Drafting:

next assy	AR	-I	PORT 4 FLANGE	SS 316L	I
CAGE CODE	PART OR IDENTIFYING NO	NOMENCLATURE OR DESCRIPTION	MATERIAL	SPECIFICATION	FIND NO
SE120-003		NEXT ASSEMBLY			

PARTS LIST

REV	DESCRIPTION	BY	DATE	CHK	DEPT	DATE	PE	REQ	DATE	ORNL	DOE	DATE
1	REVISION OR ISSUE PURPOSE <td></td> <td></td> <td></td> <td></td> <td></td> <td></td> <td></td> <td></td> <td></td> <td></td> <td></td>											

SCALE NOTED	DES. P. GORANSON	5-27-04
TOLERANCES UNLESS OTHERWISE SPECIFIED	DRW. G. LOVETT	5-27-04
FRACTIONS	CHK. D. SPARKS	6-02-04
XX DECIMALS ±.01	DEPT.	
XXX DECIMALS ±.005	PE	
ANGLES ±0°15'	CR	
FINISH .125 UNLESS OTHERWISE SPECIFIED	PJ	
	REG.	
	PPPL DRFT J. SIEGEL	6/04
	VERSION NO.	0
	PLANT	X-10
	BLDG	5700
	FL	3
	SHT OF	1
	TYPE	I
	CLASS	U
	RELEASE LEVEL	
	Fabrication	

UT-BATTELLE  
 NATIONAL COMPACT STELLARATOR EXPERIMENT  
 VACUUM VESSEL  
 PORT 4 FLANGE  
 DETAIL

NO REPRESENTATION OR WARRANTY, EXPRESSED OR IMPLIED, IS MADE AS TO THE ACCURACY, COMPLETENESS OR USEFULNESS OF THE INFORMATION OR STATEMENTS CONTAINED IN THESE DRAWINGS, OR THAT THE USE OR DISCLOSURE OF ANY INFORMATION, APPARATUS, METHOD OR PROCESS DISCLOSED IN THESE DRAWINGS MAY NOT INFRINGE PRIVATE RIGHTS OF OTHERS. NO LIABILITY IS ASSUMED WITH RESPECT TO THE USE OF, OR FOR DAMAGES RESULTING FROM THE USE OF, ANY INFORMATION, APPARATUS, METHOD OR PROCESS DISCLOSED IN THESE DRAWINGS. DRAWINGS MADE AVAILABLE FOR INFORMATION TO BIDDER ARE NOT TO BE USED FOR OTHER PURPOSES, AND ARE TO BE RETURNED UPON REQUEST OF THE FORWARDING CONTRACTOR.

**P** THIS DRAWING PRODUCED ON PRO-ENGINEER

H  
G  
F  
E  
D  
C  
B  
A

SE122-049