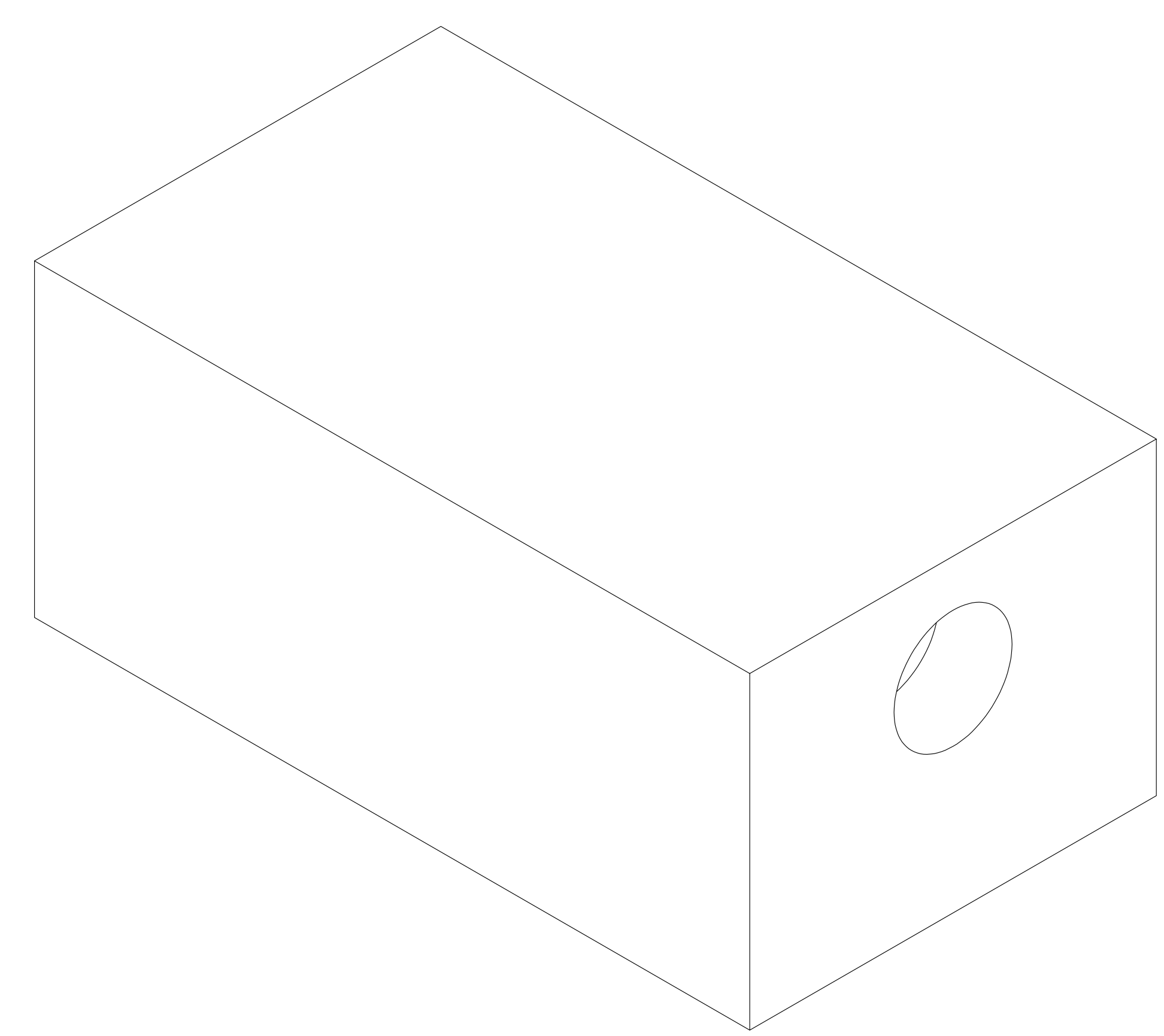
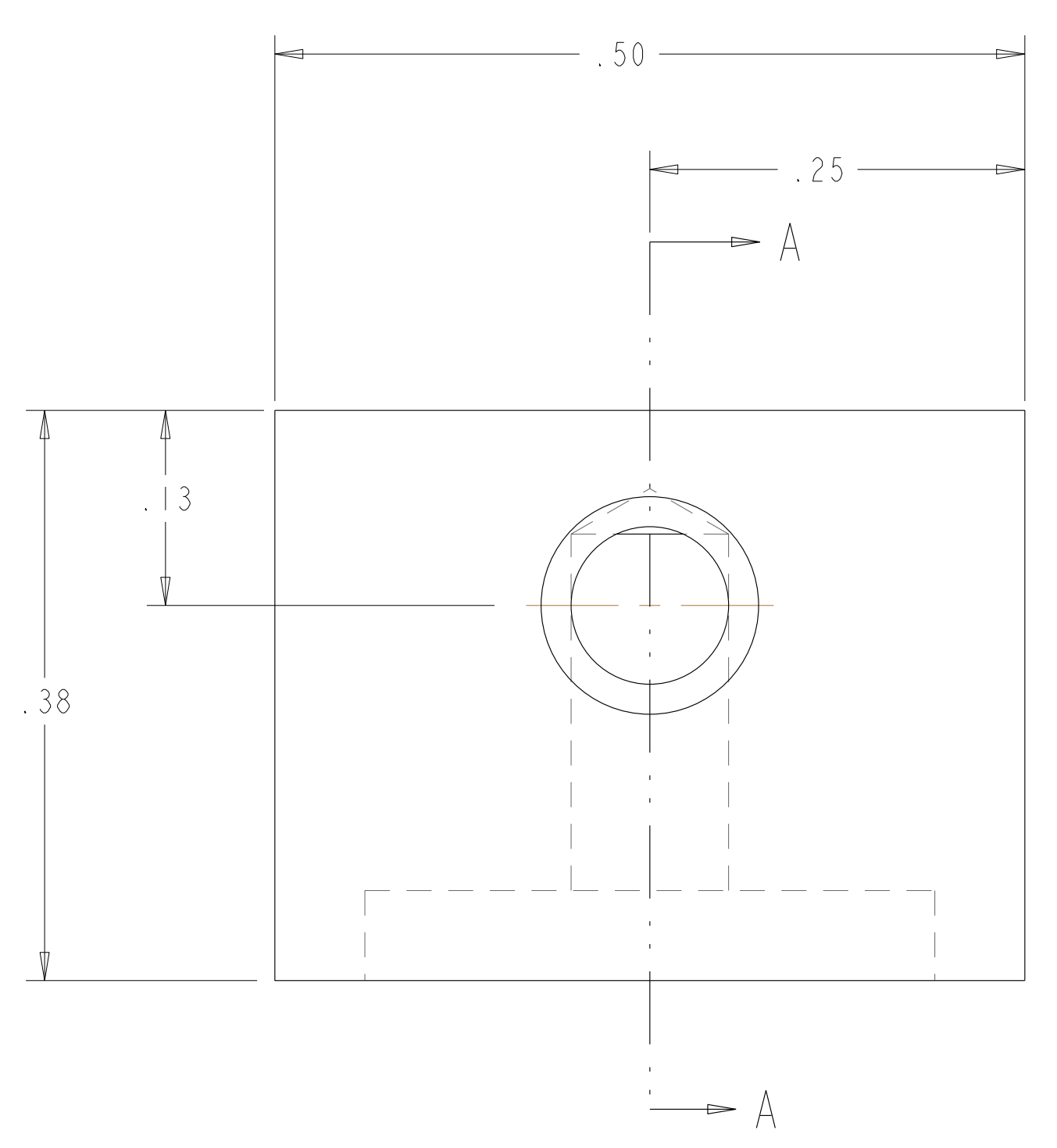
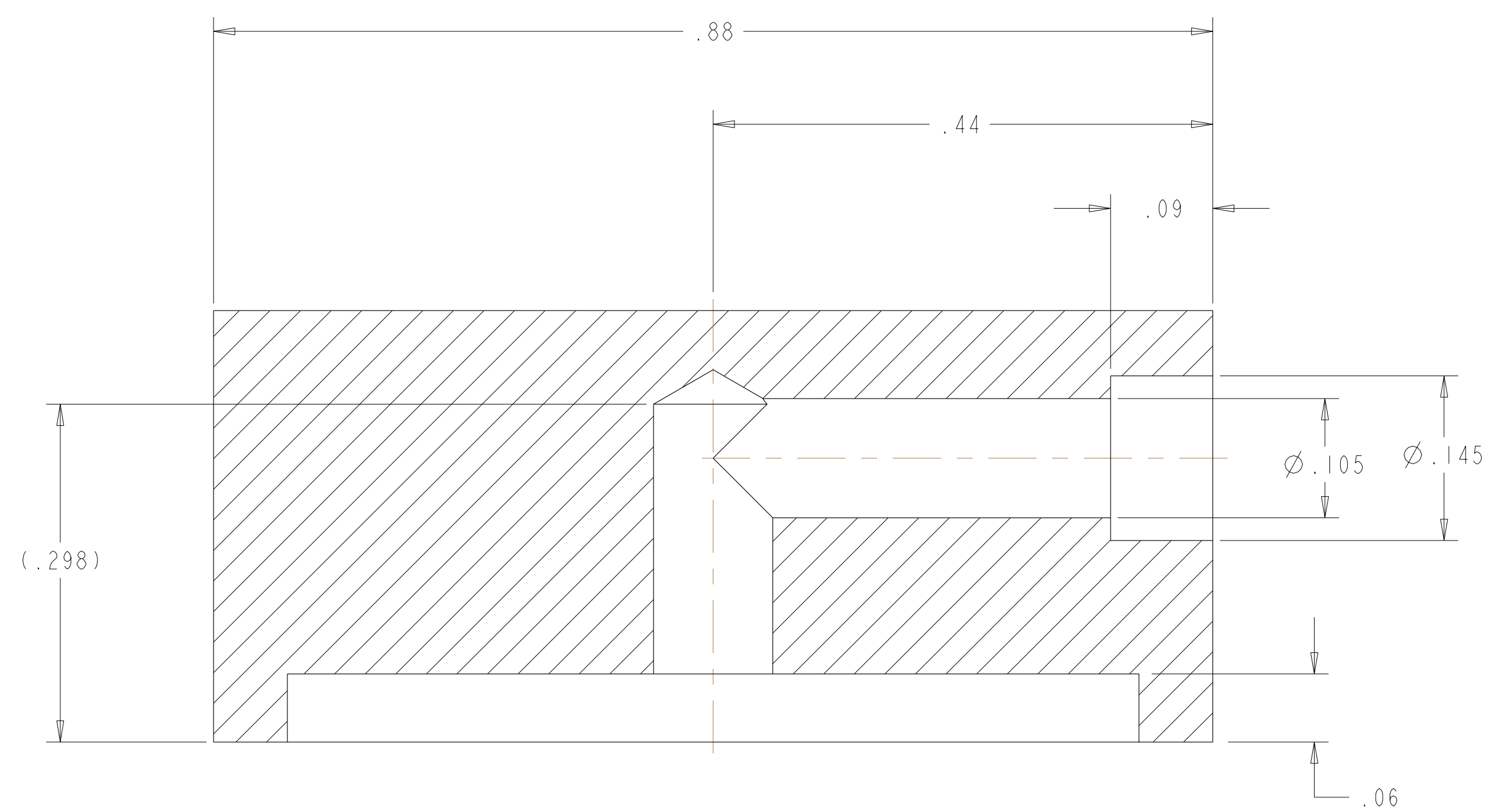
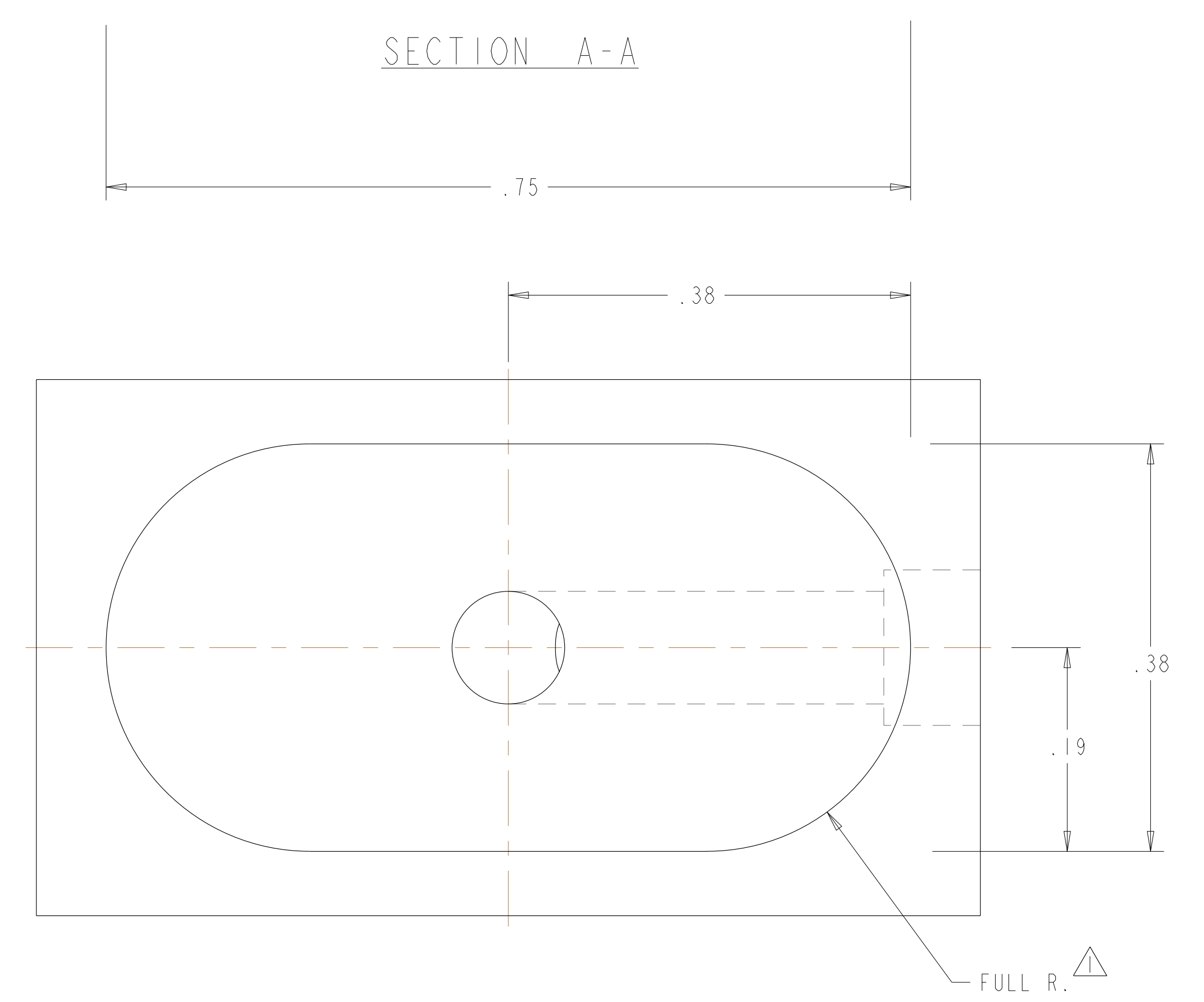


NOTES:

1. INTERPRET DIMENSIONS AND TOLERANCES PER ANSI Y14.5M.
2. DIMENSIONS ARE IN INCHES.
3. FABRICATION, INSPECTION, AND TESTING SHALL BE PERFORMED IN ACCORDANCE WITH SPECIFICATION NCSX-CSPEC-121-02 AND STATEMENT OF WORK NCSX-SOW-121-03.



ISOMETRIC VIEW



SCALE: 10X

AR	AR	AR	AR	AR	AR	AR	AR	AR	AR						
SE120-007-1	SE120-006-1	SE120-005-7	SE120-005-6	SE120-005-5	SE120-005-4	SE120-005-3	SE120-005-2	SE120-005-1							
										CAGE CODE	PART OR IDENTIFYING NO	LEAK TEST BLOCK	UNS N06625		
												NOMENCLATURE OR DESCRIPTION	MATERIAL	SPECIFICATION	FIND NO

RELEASED FOR FABRICATION / INSTALLATION
 PPPL Drafting:

NO REPRESENTATION OR WARRANTY, EXPRESSED OR IMPLIED, IS MADE AS TO THE ACCURACY, COMPLETENESS OR USEFULNESS OF THE INFORMATION OR STATEMENTS CONTAINED IN THESE DRAWINGS, OR THAT THE USE OR DISCLOSURE OF ANY INFORMATION, APPARATUS, METHOD OR PROCESS DISCLOSED IN THESE DRAWINGS MAY NOT INFRINGE PRIVATE RIGHTS OF OTHERS. NO LIABILITY IS ASSUMED WITH RESPECT TO THE USE OF, OR FOR DAMAGES RESULTING FROM THE USE OF, ANY INFORMATION, APPARATUS, METHOD OR PROCESS DISCLOSED IN THESE DRAWINGS. DRAWINGS MADE AVAILABLE FOR INFORMATION TO BIDDER ARE NOT TO BE USED FOR OTHER PURPOSES, AND ARE TO BE RETURNED UPON REQUEST OF THE FORWARDING CONTRACTOR.

P THIS DRAWING PRODUCED ON PRO-ENGINEER

REV	DESCRIPTION	BY	DATE	CHK	DEPT	DATE	PE	REQ	DATE	ORNL	DOE	DATE
1	REVISED PER ECN-4933	MJC	11/02/04	PLG								
2	ADDED FULL RADIUS											

SCALE NOTED	DES: PL GORANSON 8/03	UT-BATTELLE		Oak Ridge National Laboratory managed for the DEPARTMENT OF ENERGY under U.S. GOVERNMENT contract DE-AC05-00OR22725 UT-BATTELLE, LLC, Oak Ridge, Tennessee	
TOLERANCES UNLESS OTHERWISE SPECIFIED	DRW: G.H. JONES 8/03	NATIONAL COMPACT STELLARATOR EXPERIMENT		VACUUM VESSEL LEAK TEST BLOCK	
FRACTIONS : DEPT :	CHK: D SPARKS 6/04	VERSION NO.	PLANT	BLDG	FL
XX DECIMALS ±.01	SECT :		X-10	5700	03
XXX DECIMALS ±.005	DEPT :				
ANGLES ±0°15'	PE :				
BREAK SHARP EDGES .06 MAX	CR :				
FINISH .125 UNLESS OTHERWISE SPECIFIED	PJ :				
	RD :				
	PPPL DRFT J. SIEGEL 6/04	RELEASE LEVEL			
		Fabrication			

SE122-105