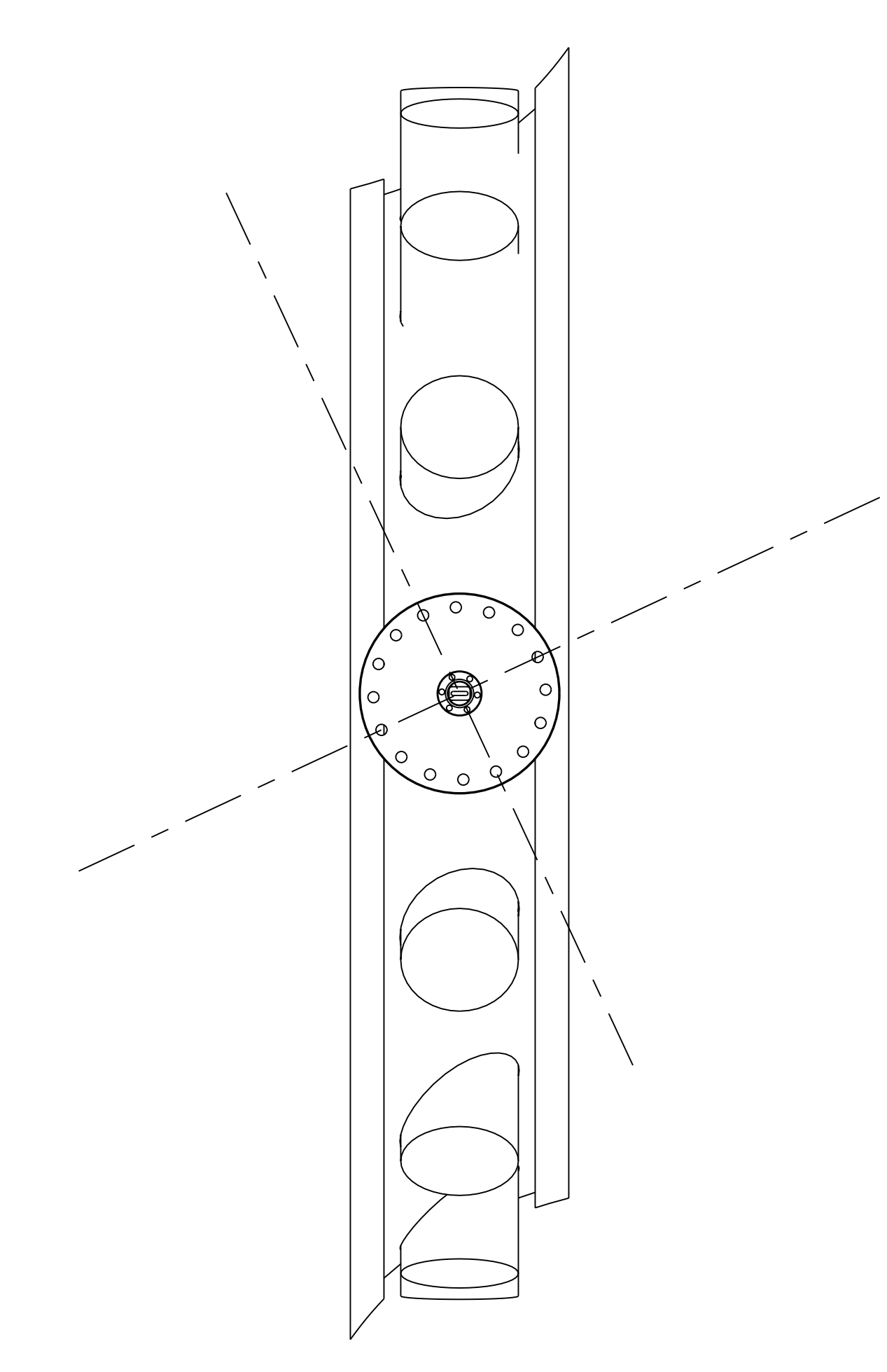
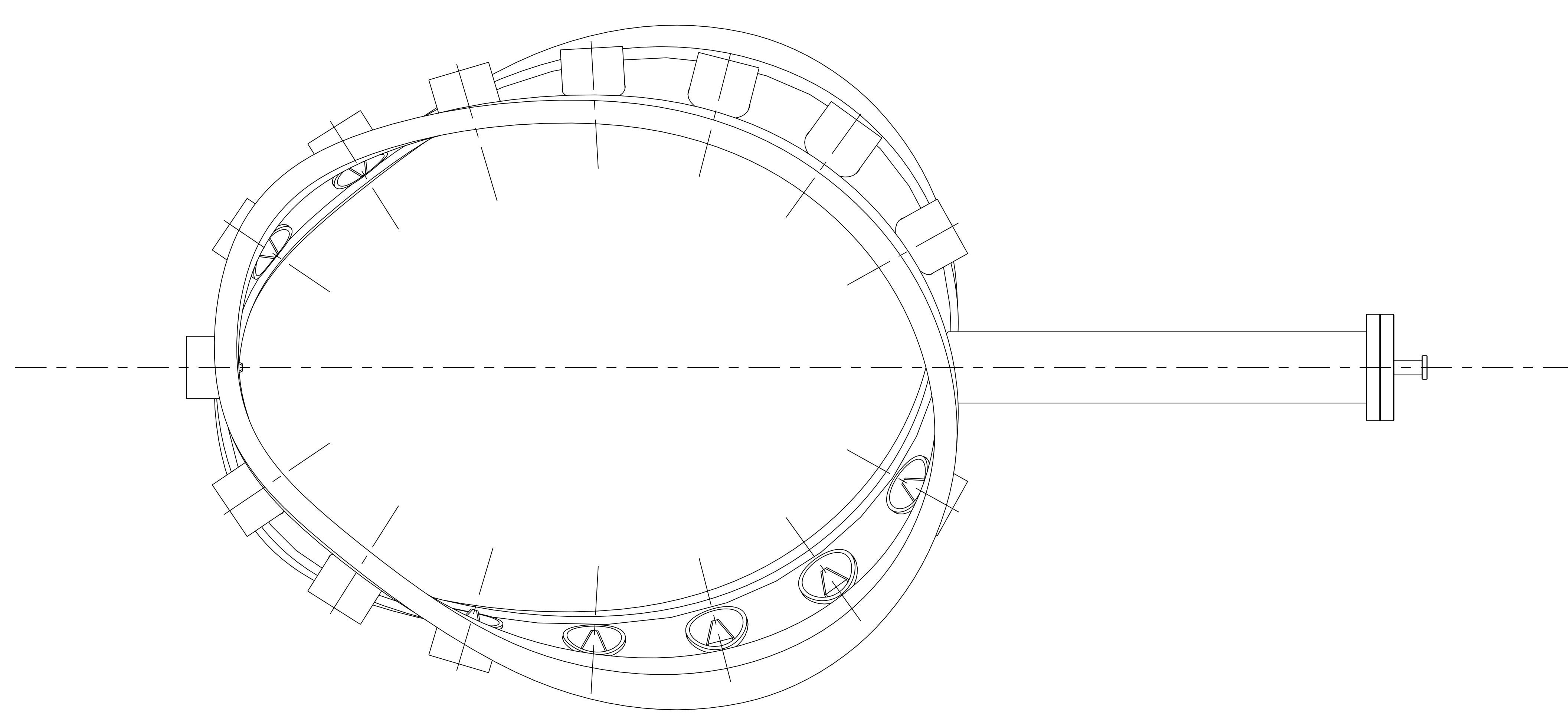
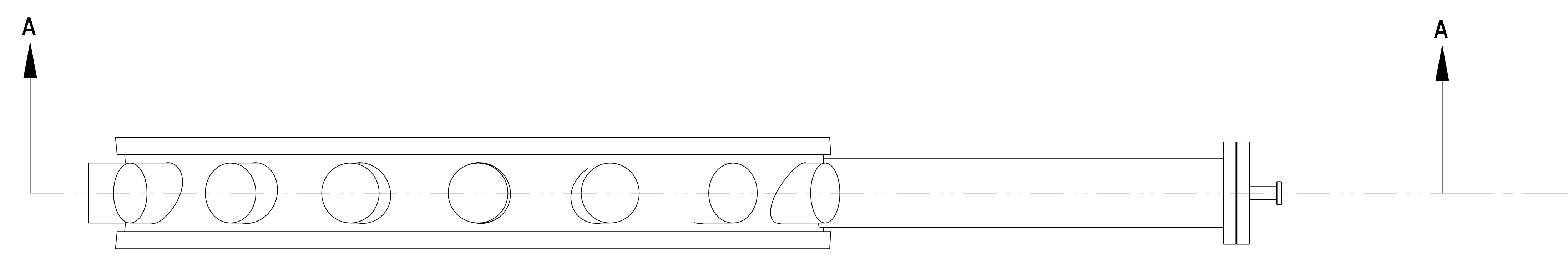


NO.	REVISION	BY	CH	SUP	APPROVED	DATE



PART NO.	DRAWING NO	NOMENCLATURE OR DESCRIPTION	MATERIAL	QTY	REOD
7	SE121-014_SXR	VV SPACER WELDMENT	--	--	1
6	SE121-014	VV SPACER WELDMENT	--	--	1
5	SE110-014	PLAS_M50_ASM	--	--	1
4	STB-SXR-04	--	--	--	17
3	STB-SXR-02	--	--	--	1
2	STB-SXR	--	--	--	1
1	SEMJC12-001	--	--	--	1

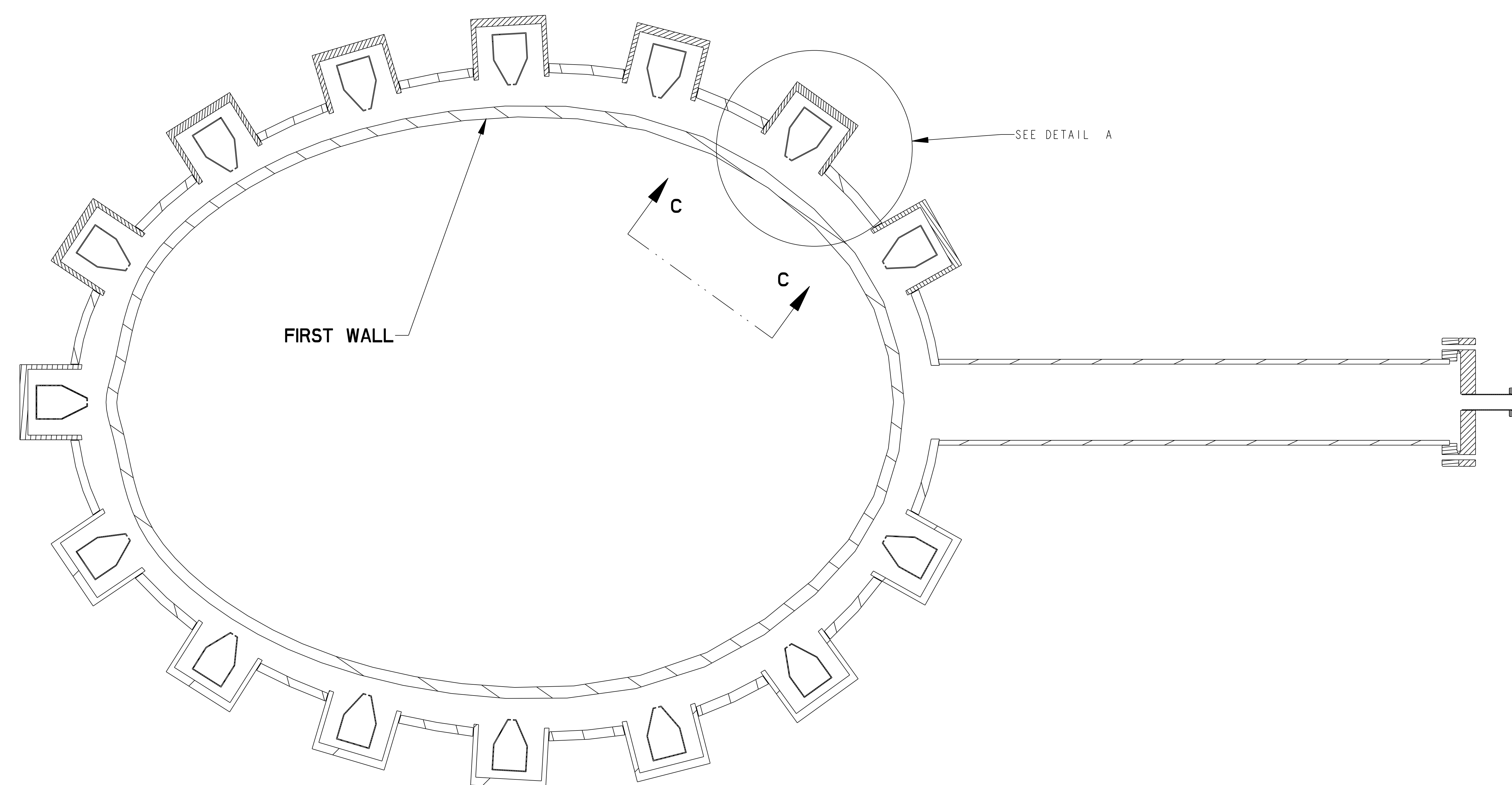
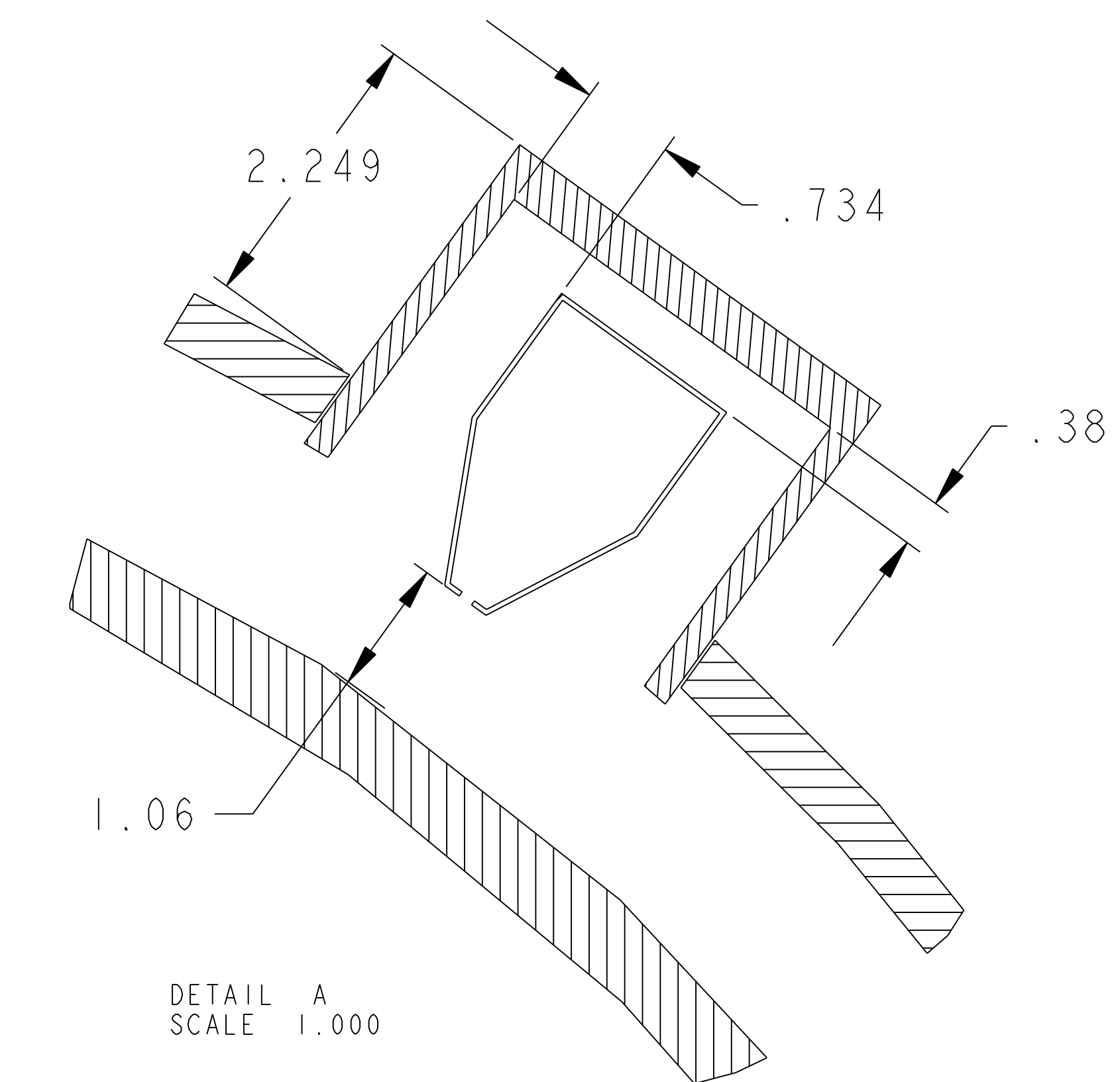
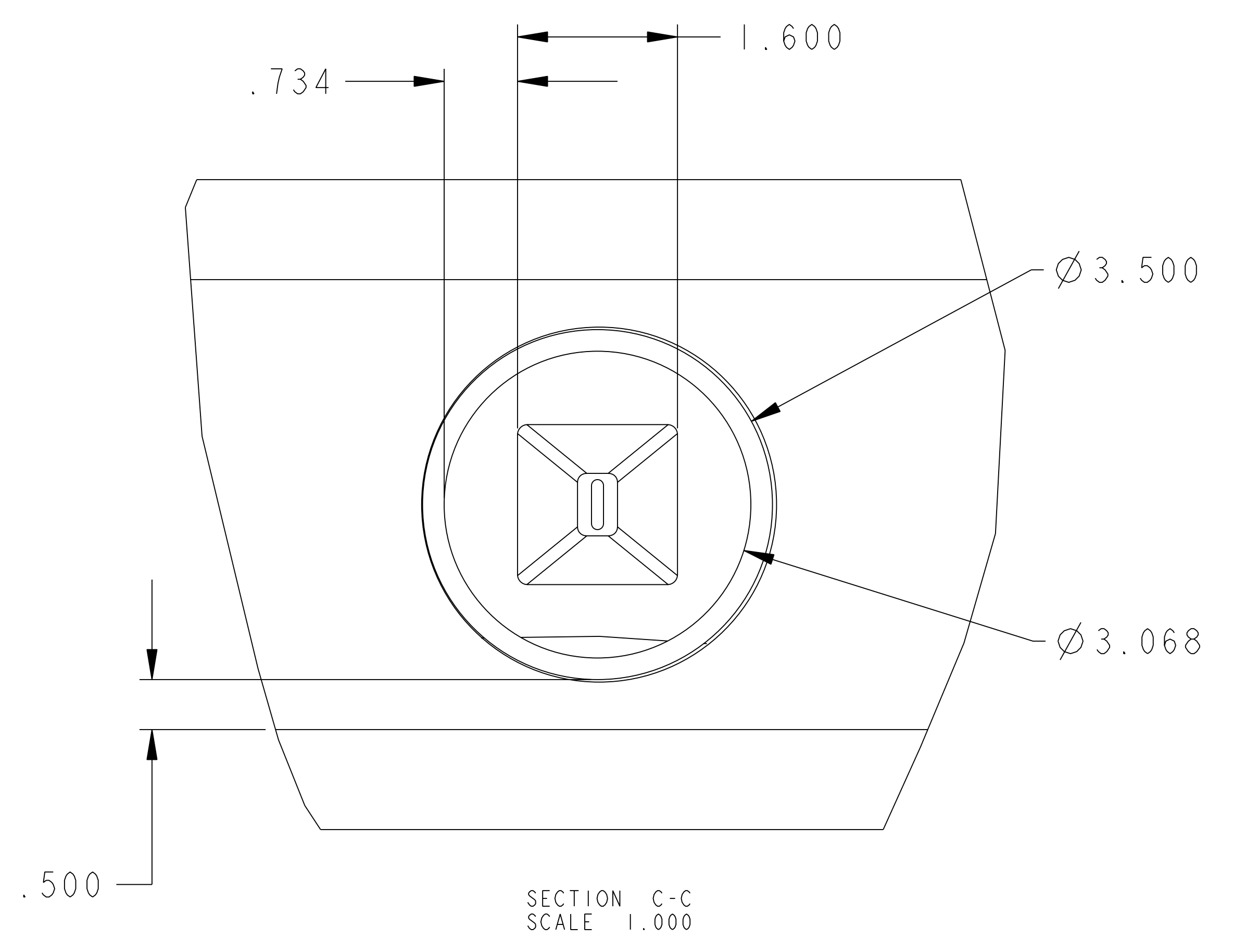
**PARTS LIST**

COMPUTER GENERATED DRAWING MANUAL CHANGES NOT PERMITTED	CENTRAL FILES: UNLESS OTHERWISE SPECIFIED	PRINCETON PLASMA PHYSICS LABORATORY PRINCETON UNIVERSITY	
Pro E	DIMENSIONS ARE IN INCHES MACHINE SURFACES	<b>NATIONAL COMPACT STELLARATOR EXPERIMENT</b>	
DO NOT VERIFY INFORMATION BY SCALING DRAWING	BREAK SHARP EDGES .005/.020	SXR GENERAL ARRANGEMENT LAYOUT	
WEIGHT 15391.1 lbs	TOLERANCES NON-CUMULATIVE	DSN:	DRAWING NO:
MODEL NAME STB-SXR	DECIMAL-INCH FRACTIONS	CHK:	<b>STB-SXR</b>
WELDING ENGINEER		ENGR: T BROWN	SHEET 1 OF 2
		SUPV:	REV

**RELEASE LEVEL: WIP**  
**DWG VERSION NO:**

NCSX-STB-SXR

NO.	REVISION	BY	CH	SUP	APPROVED	DATE



SECTION A-A

RELEASE LEVEL: WIP  
DWG VERSION NO: 1

WEIGHT	15391.1 lbs
MODEL NAME	STB-SXR
WELDING ENGINEER	

COMPUTER GENERATED DRAWING MANUAL CHANGES NOT PERMITTED Pro E	CENTRAL FILES: UNLESS OTHERWISE SPECIFIED	PRINCETON PLASMA PHYSICS LABORATORY PRINCETON UNIVERSITY NATIONAL COMPACT STELLARATOR EXPERIMENT	
DO NOT VERIFY INFORMATION BY SCALING DRAWING	DIMENSIONS ARE IN INCHES MACHINE SURFACES BREAK SHARP EDGES .005/.020	SXR GENERAL ARRANGEMENT LAYOUT	
NEXT ASSEMBLY	TOLERANCES NON-CUMULATIVE DECIMAL-INCH FRACTIONS .X ±.000 .XX ±.005 ANGULAR ±.0°-15'	DSN: T BROWN CHK: ENGR: T BROWN SUPV:	DRAWING NO: <b>STB-SXR</b> SHEET 2 OF 2 REV

NCSX-STB-SXR