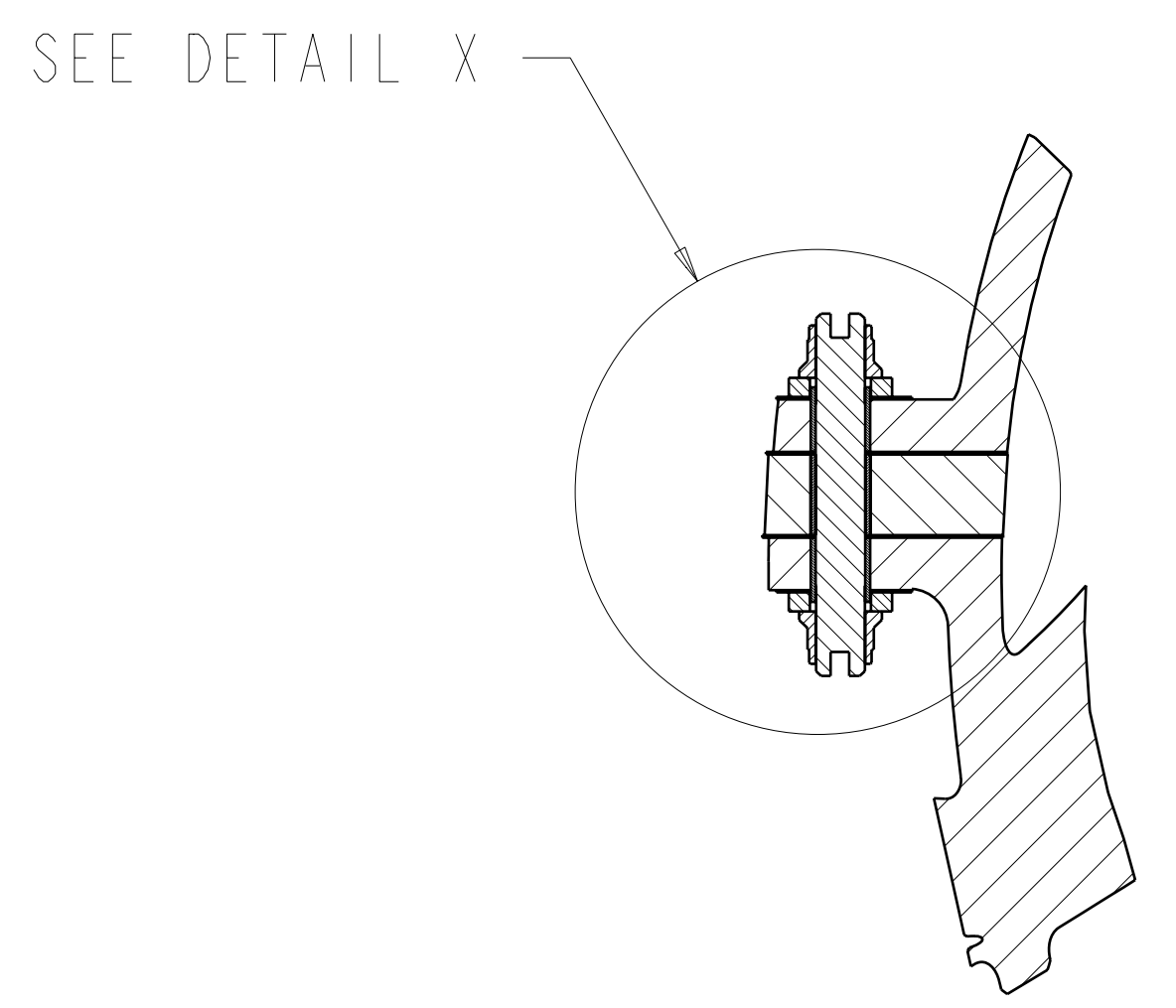
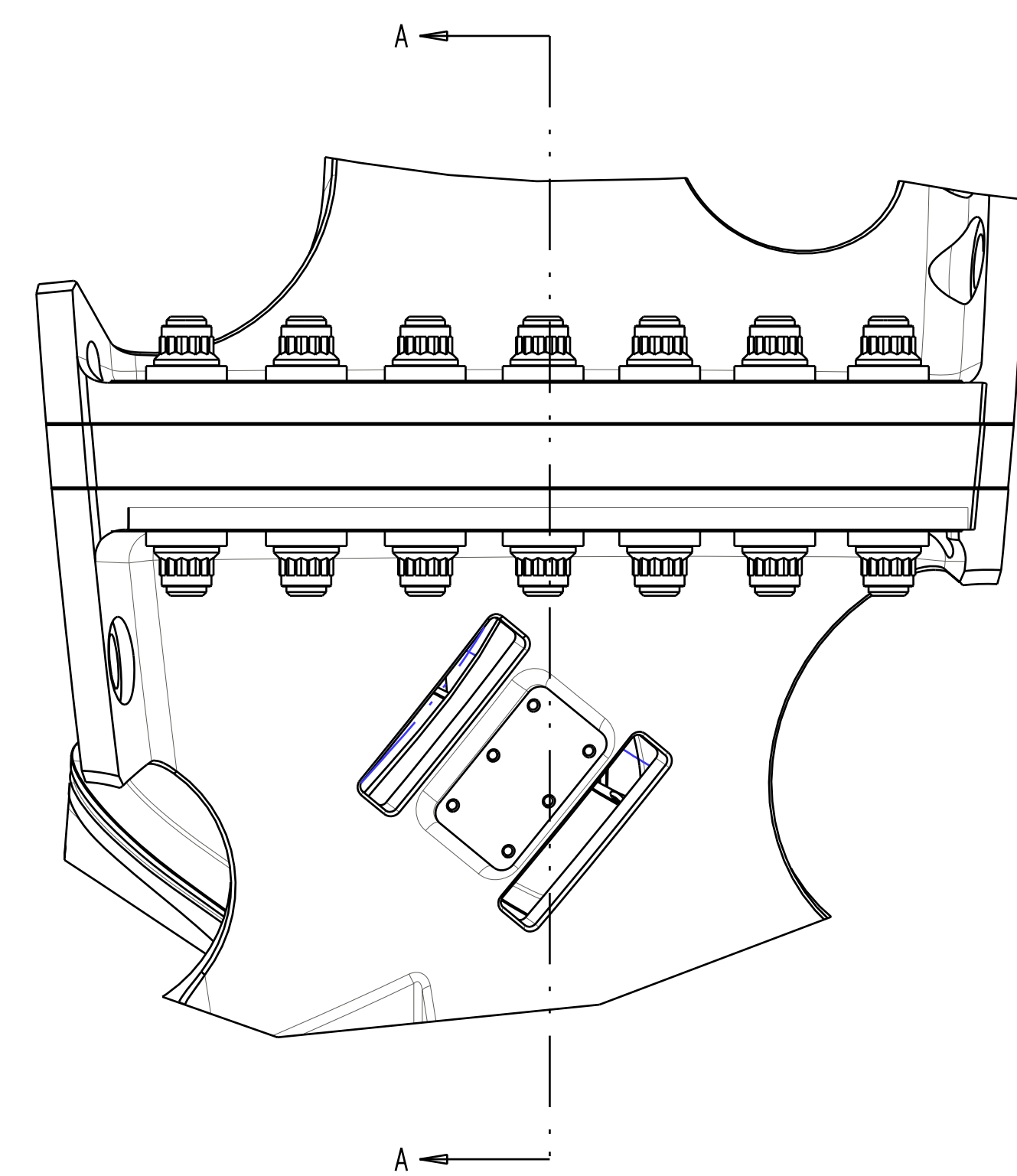
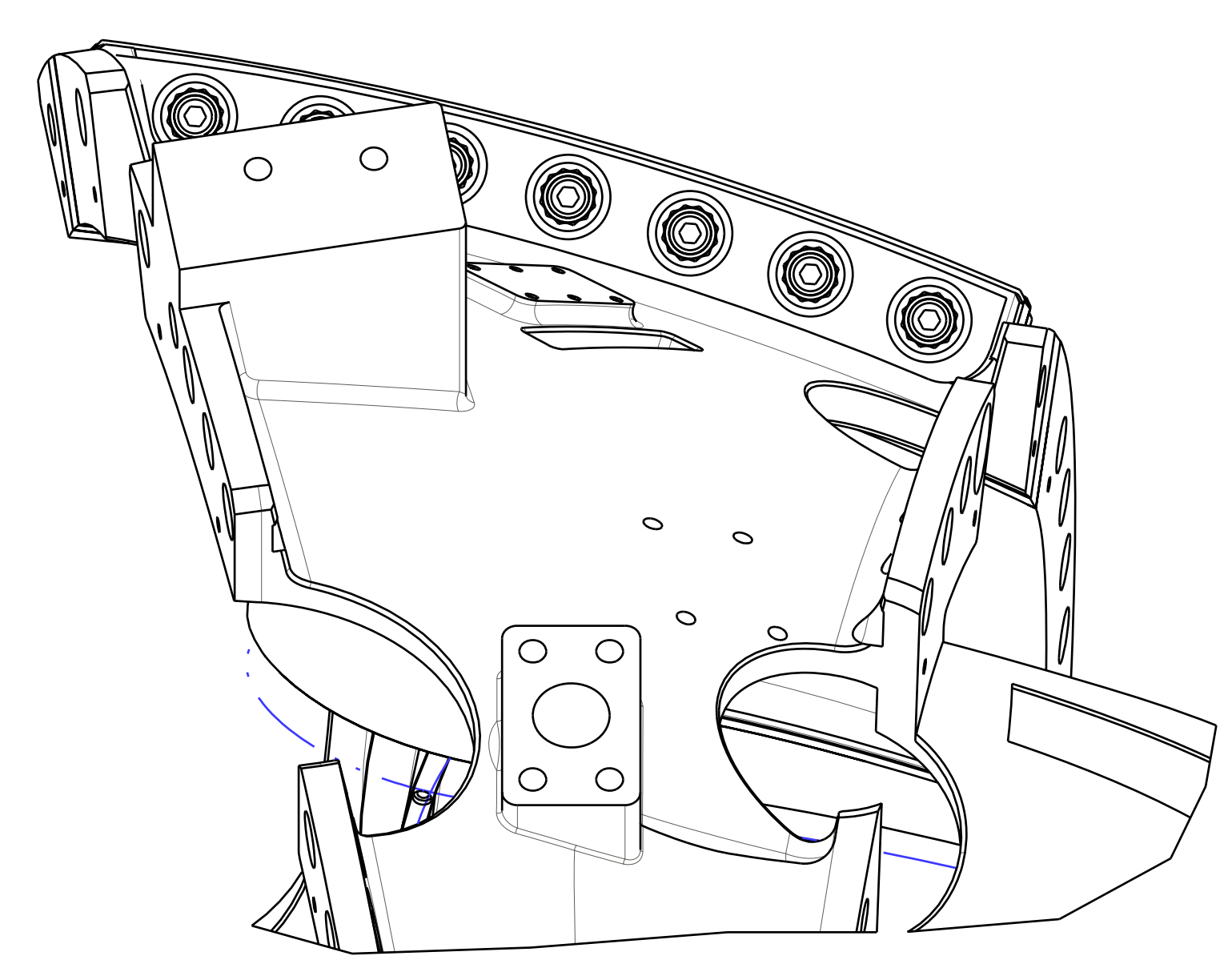




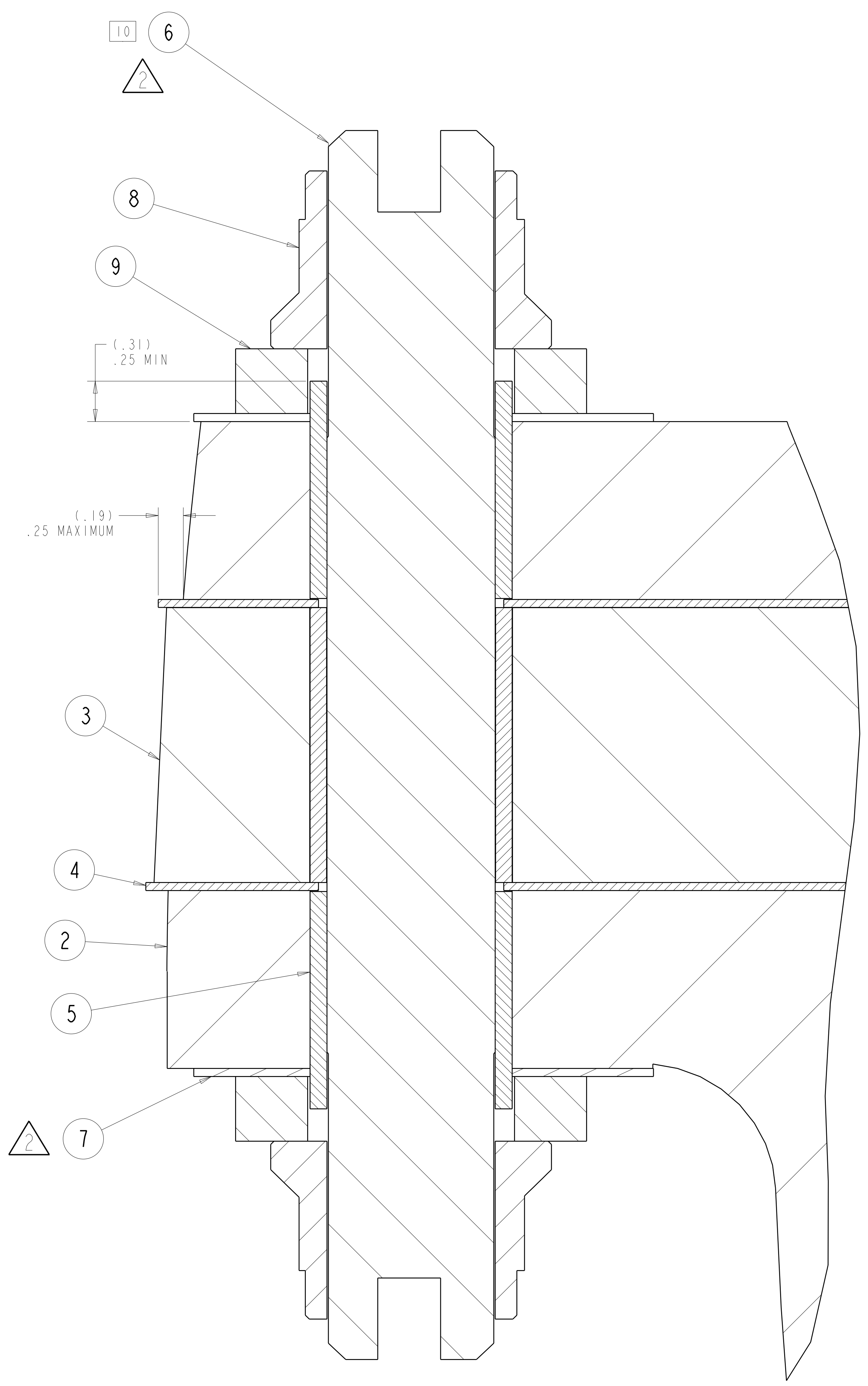
FOR NOTES AND PARTS LIST SEE SHEET 1



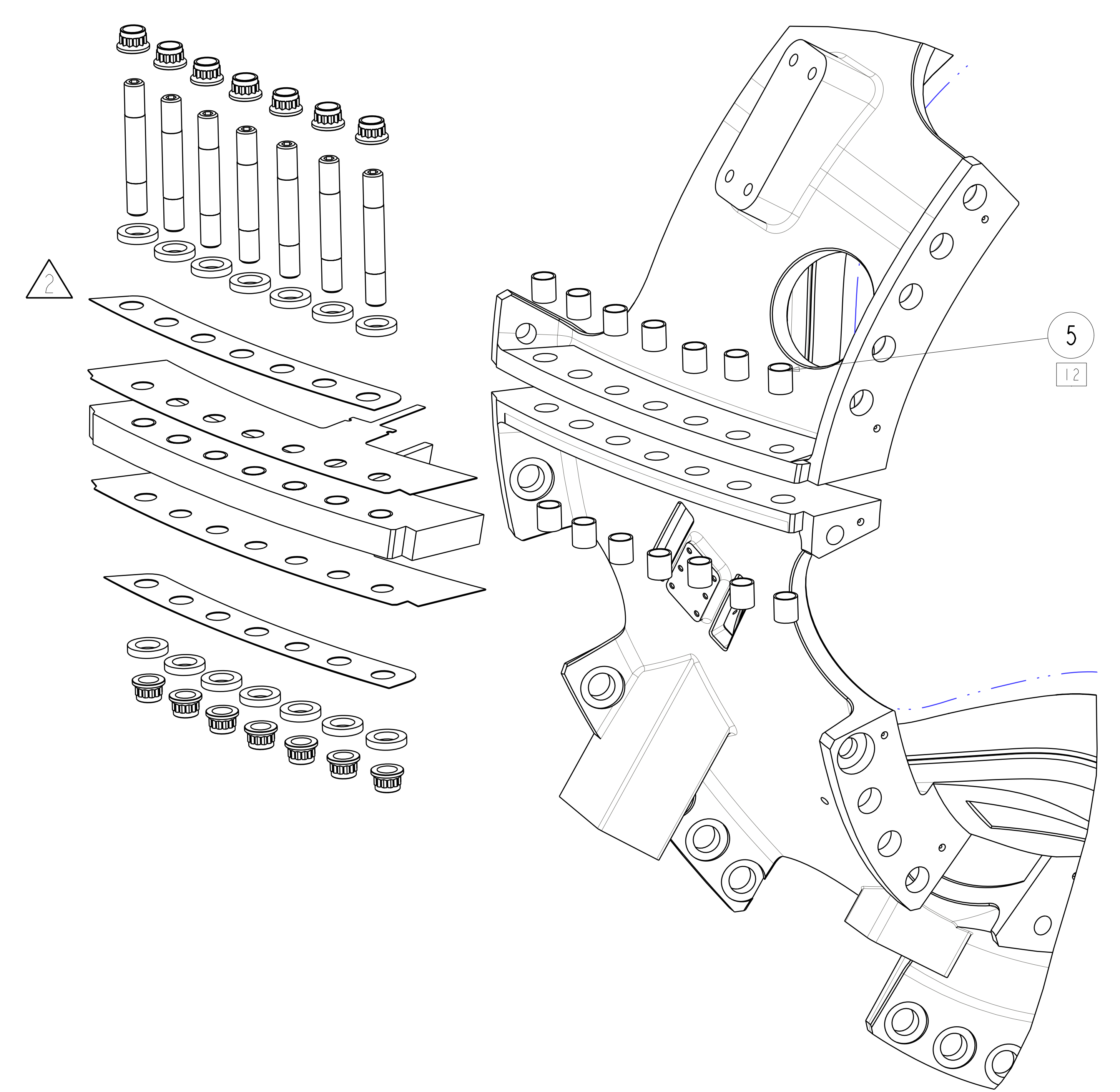
SECTION A-A  
 SCALE 0.20



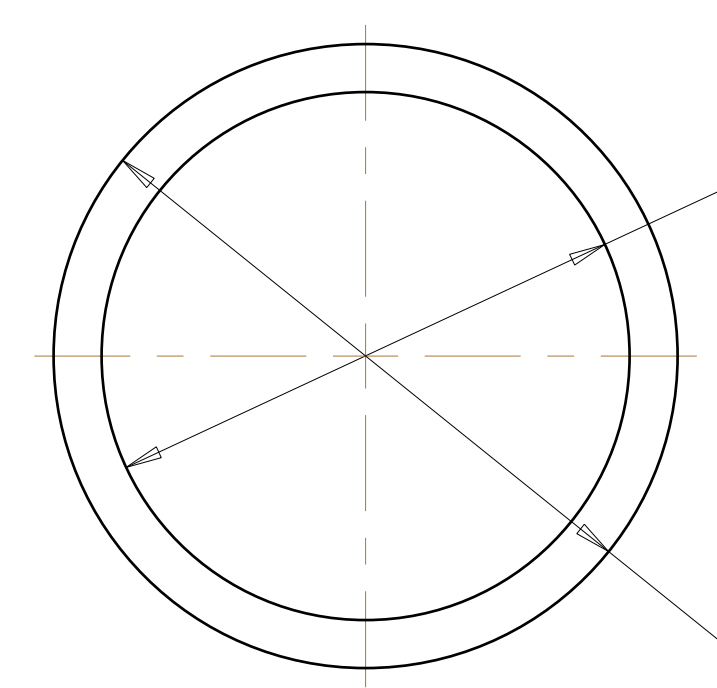
POLOIDAL BREAK DETAIL



DETAIL X  
 SCALE 2.00

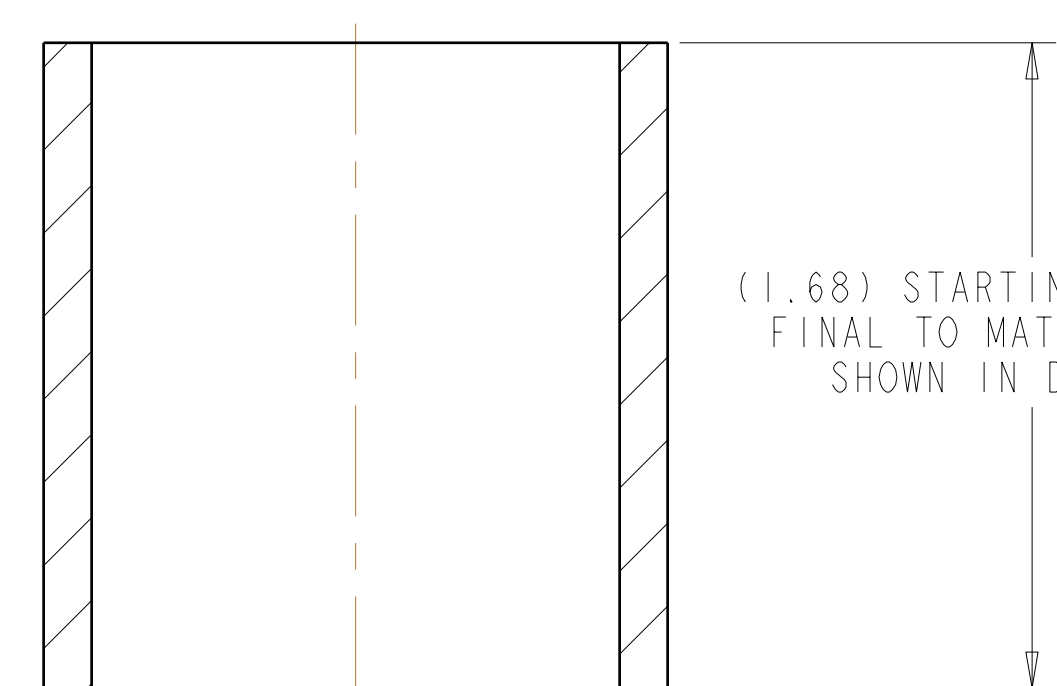
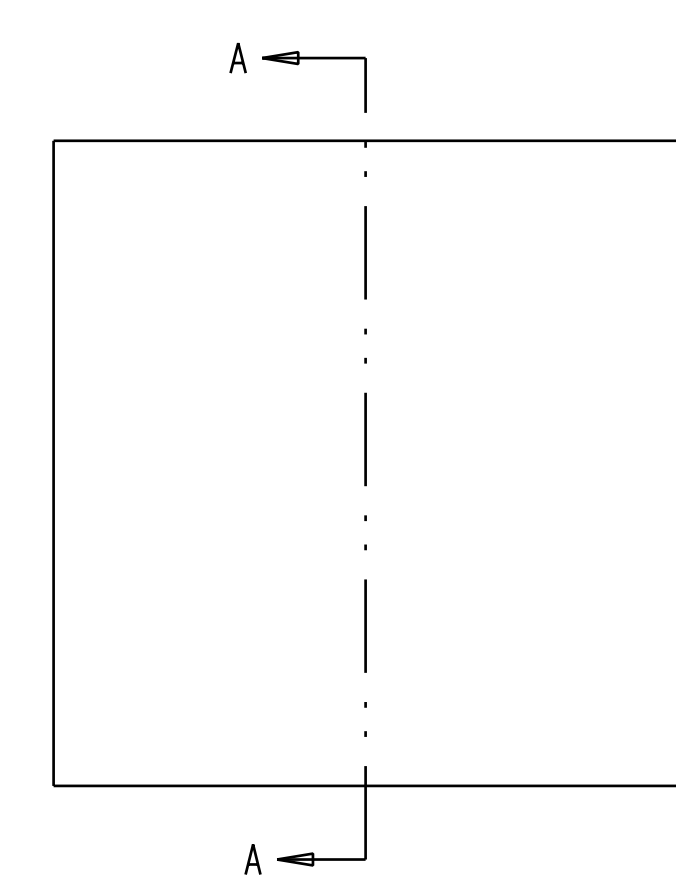


EXPLODED VIEW  
 SCALE 0.20



Ø1.38 REAM AT ASSEMBLY FOR  
 .001 TO .002 DIA CLEARANCE  
 WITH ITEM 6

Ø1.63 OD TO MATCH HOLE  
 DIA MINUS .001 TO .002 FOR  
 CLEARANCE FIT



(1.68) STARTING DIMENSION  
 FINAL TO MATCH OVERLAP  
 SHOWN IN DETAIL-X

SECTION A-A  
 SCALE 2.00

Oak Ridge National Laboratory managed for the DEPARTMENT OF ENERGY under U.S. GOVERNMENT contract DE-AC05-00OR22725 UT-BATTELLE, LLC, Oak Ridge, Tennessee PROJECT NAME							
<b>UT-BATTELLE</b> NATIONAL COMPACT STELLARATOR EXPERIMENT							
MOD COIL WINDING FORM ASSEMBLY TYPE-B							
VERSION NO.	PLANT	BLDG	FL	SHT OF	TYPE	CLASS	
7	X-10	5700	3	2	2	S	U
RELEASE LEVEL	SEI41-102						REV
WIP							2

SEI41-102