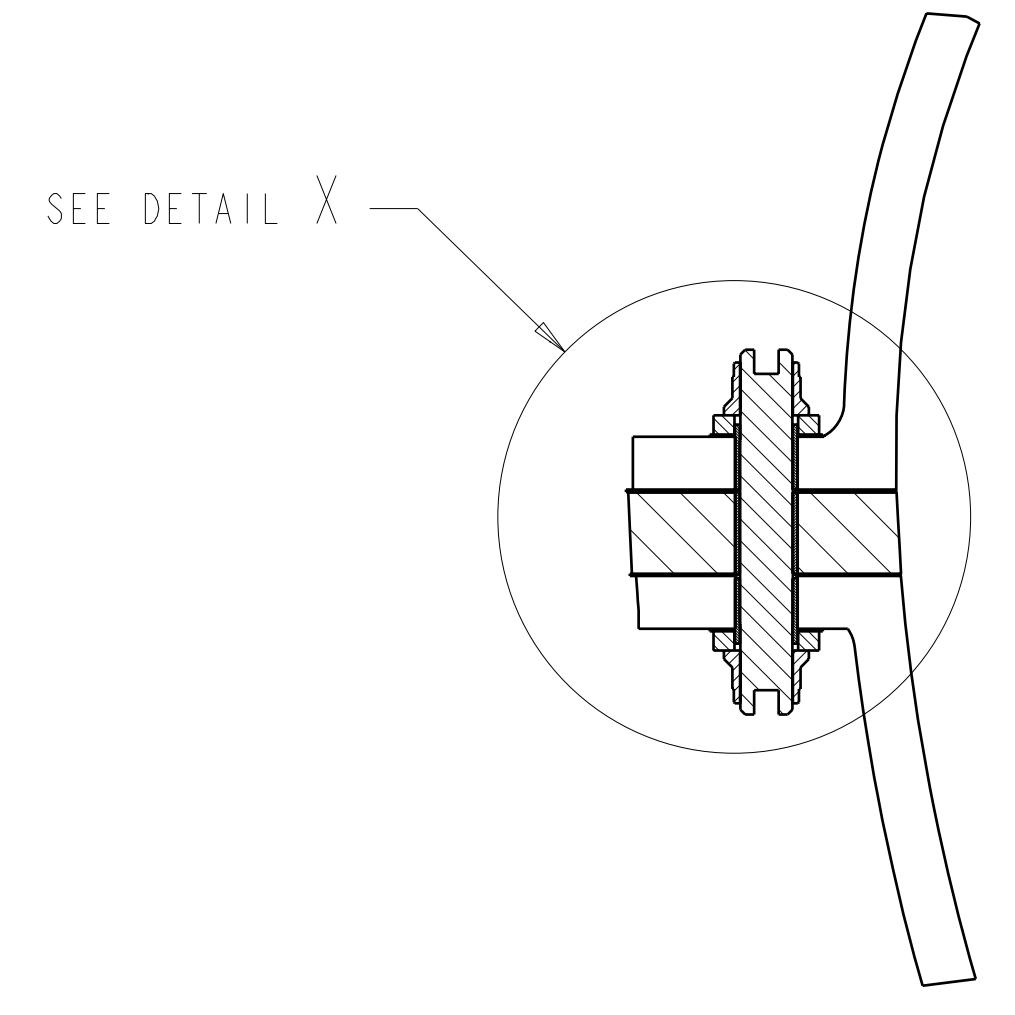
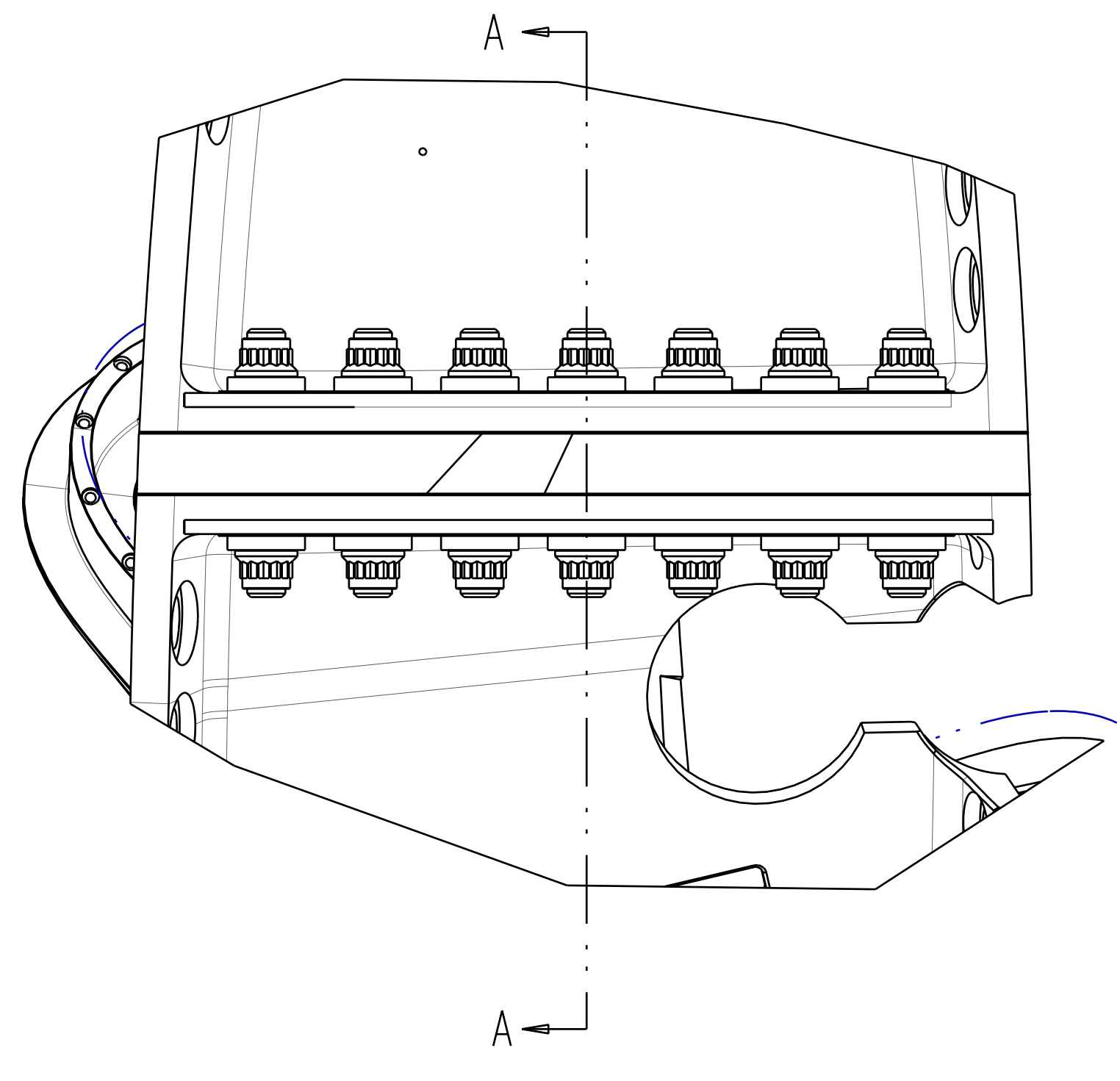
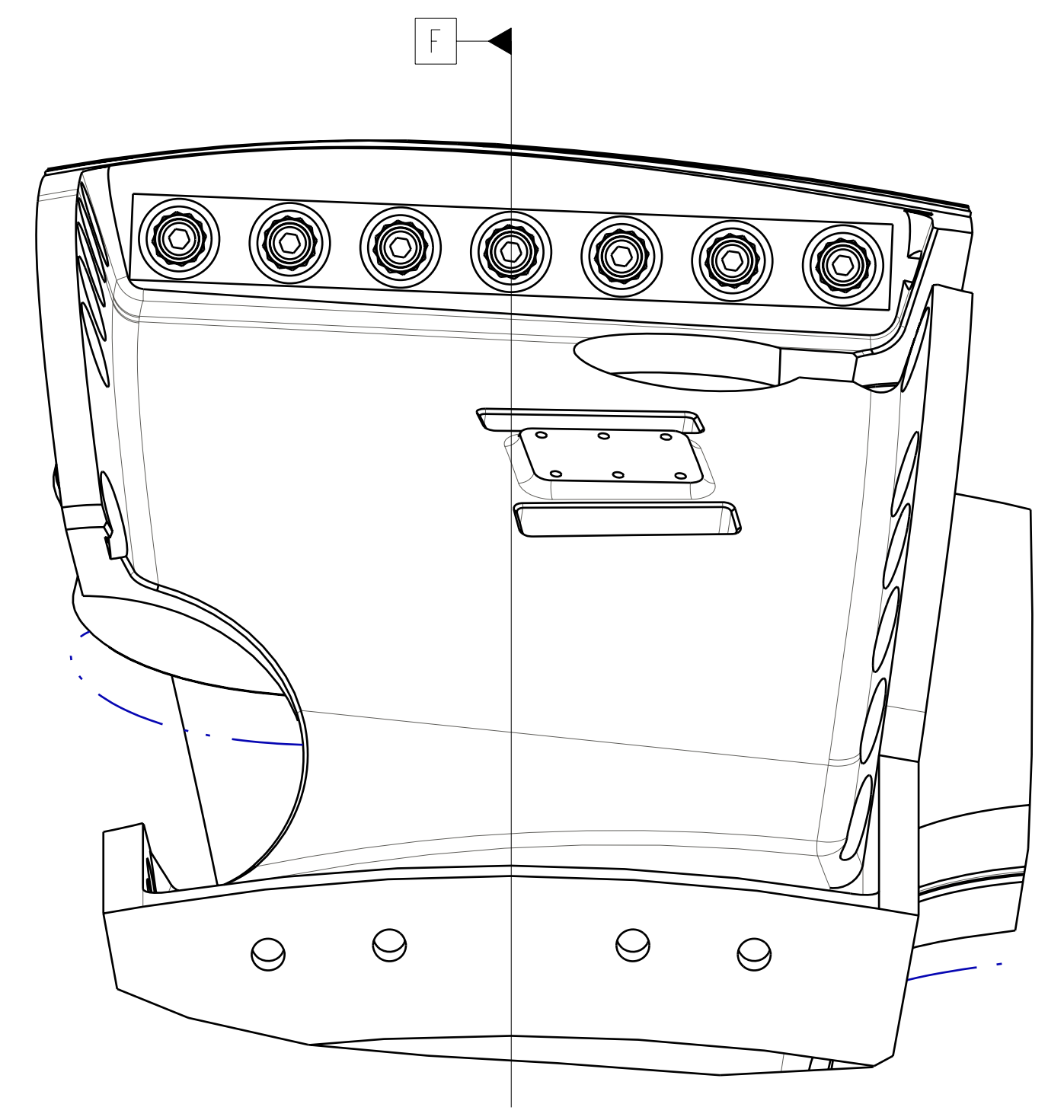
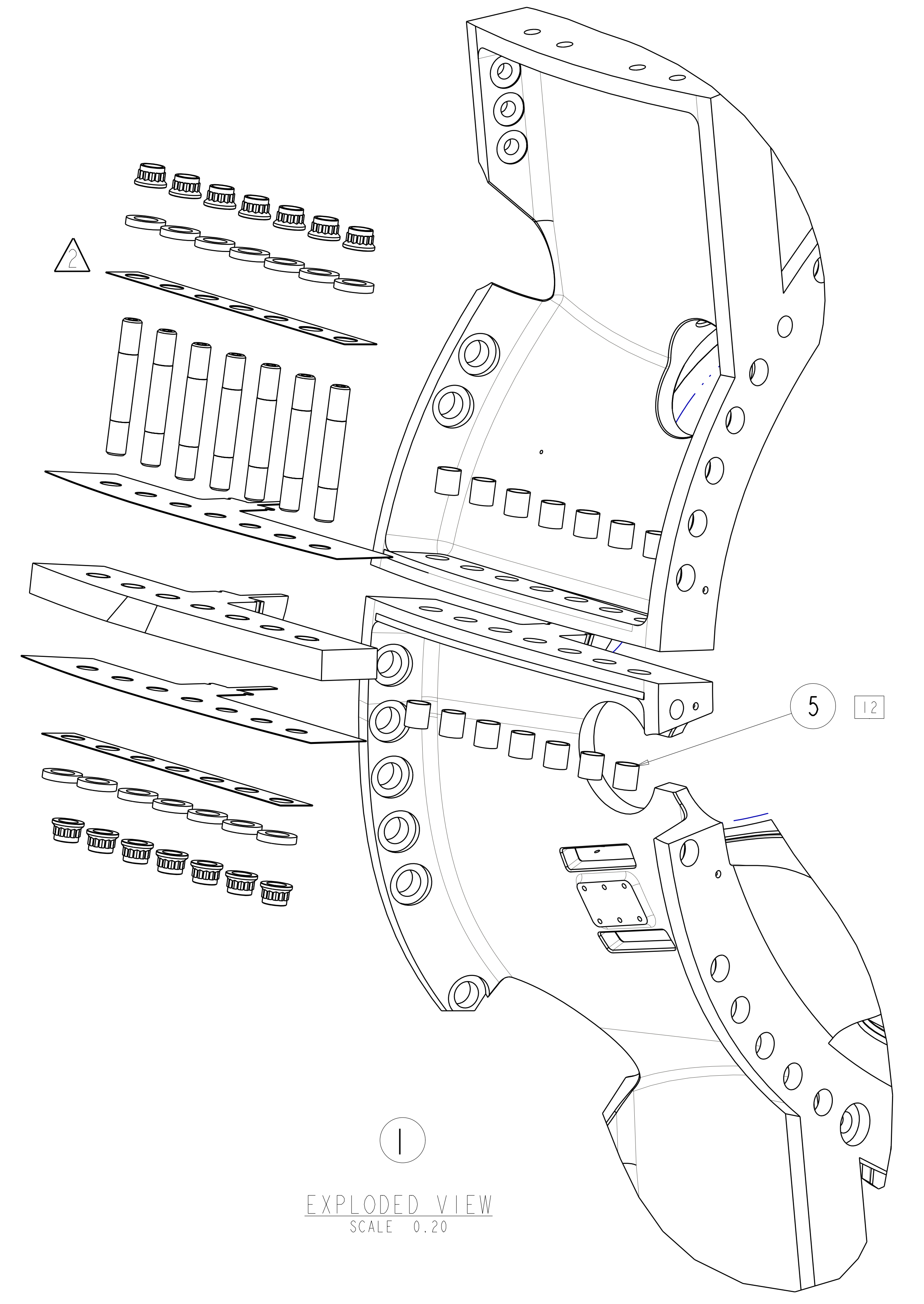


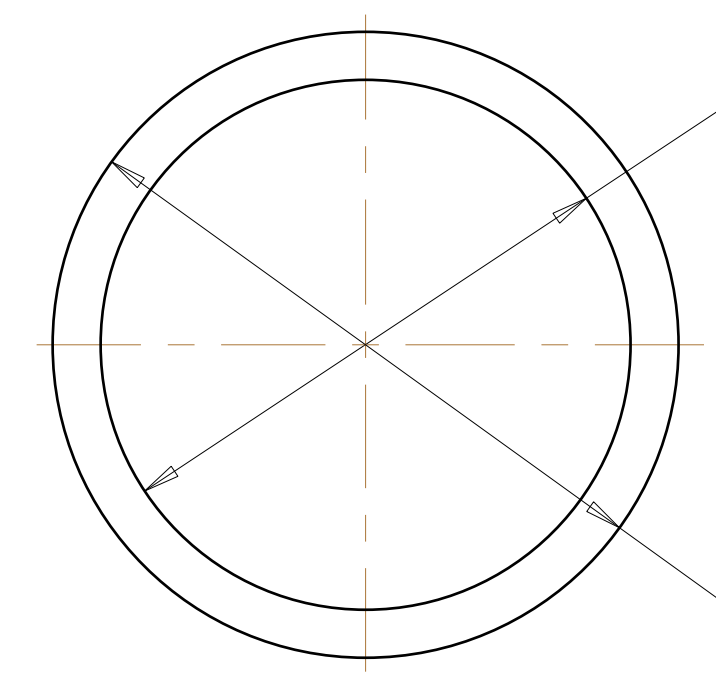
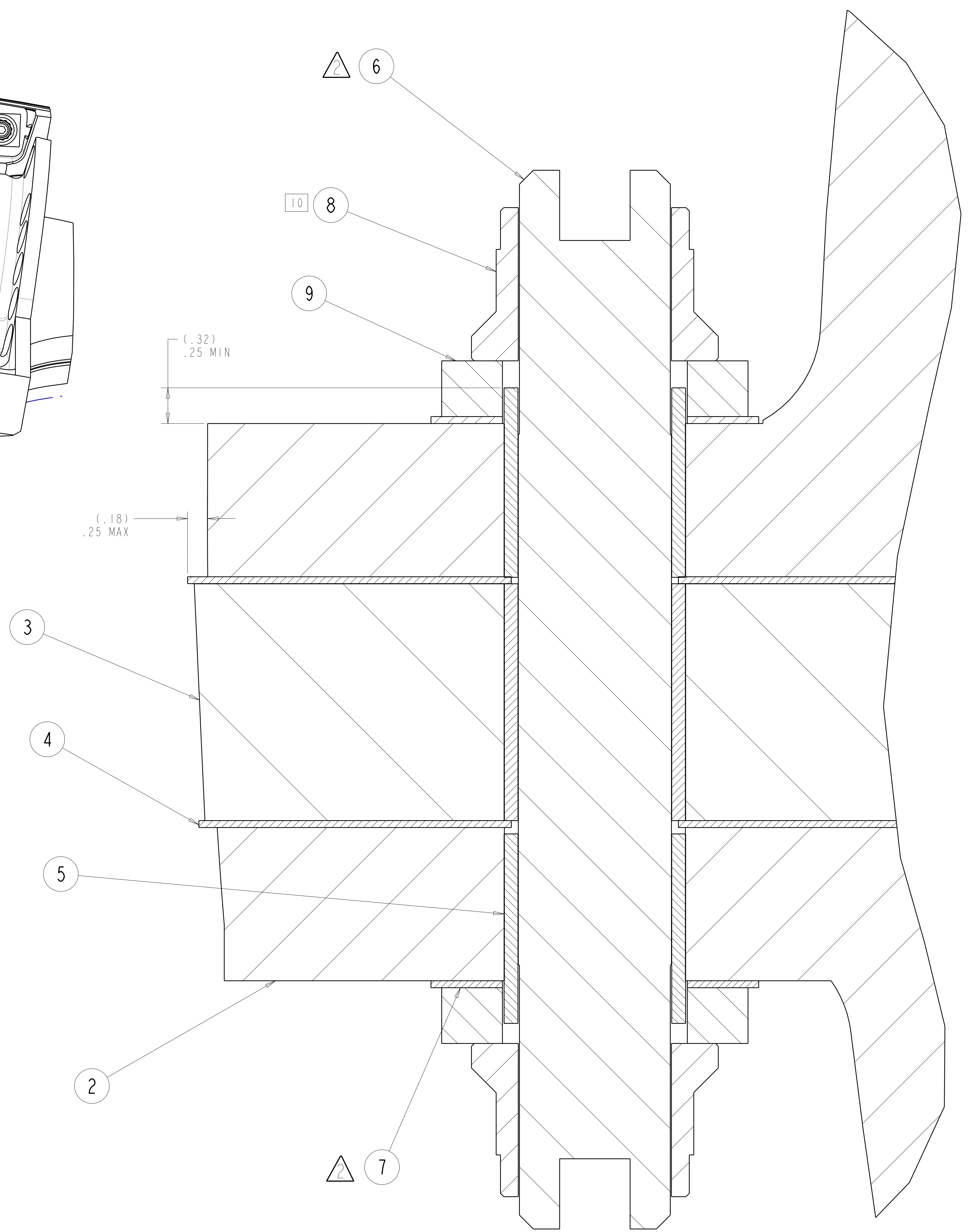
FOR NOTES AND PARTS LIST SEE SHEET I



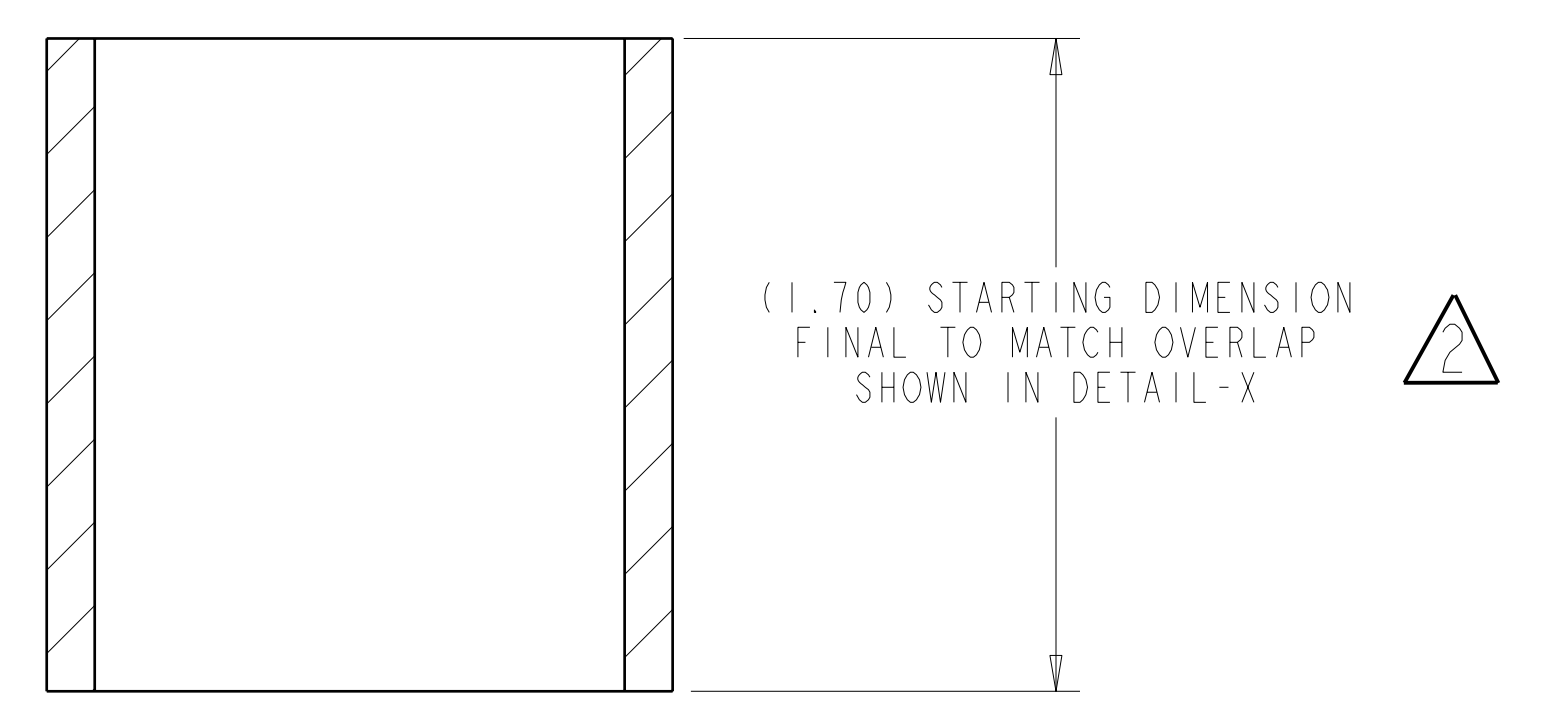
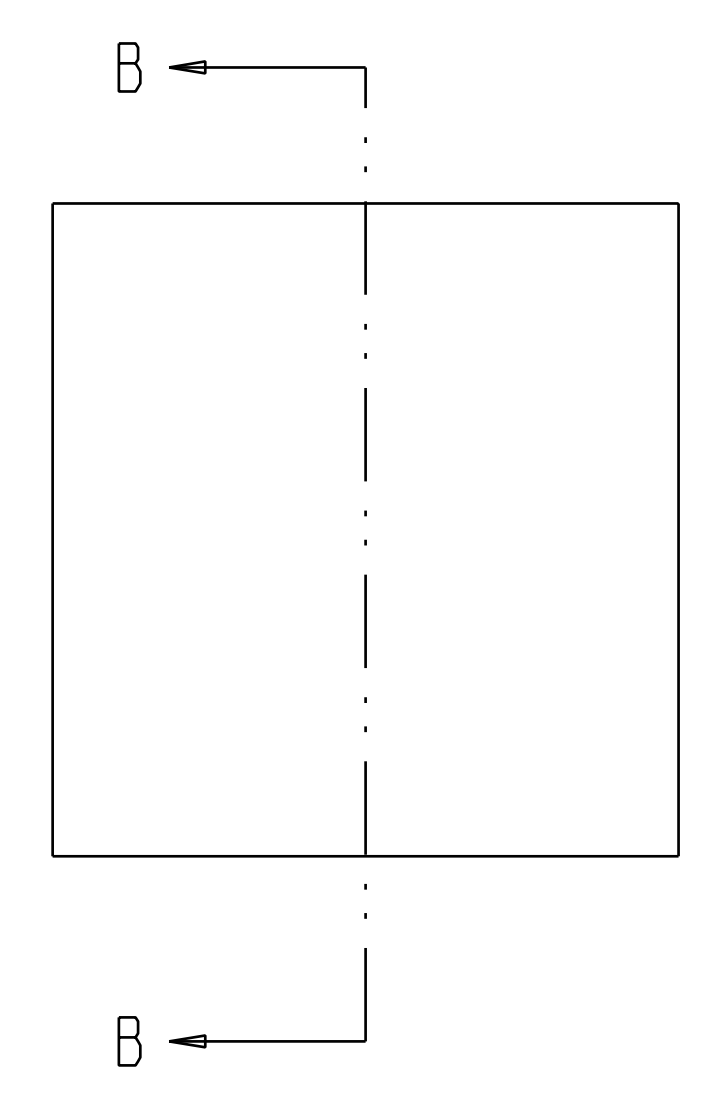
SECTION A-A
 SCALE 0.20



POLOIDAL BREAK DETAIL



$\varnothing 1.63$ TO MATCH HOLE DIA
 MINUS .001 TO .002 FOR
 CLEARANCE FIT



SECTION B-B
 SCALE 2.00

Oak Ridge National Laboratory managed for the DEPARTMENT OF ENERGY under U.S. GOVERNMENT contract DE-AC05-00OR22725 UT-BATTELLE, LLC, Oak Ridge, Tennessee PROJECT NAME							
UT-BATTELLE NATIONAL COMPACT STELLARATOR EXPERIMENT							
MOD COIL WINDING FORM ASSEMBLY TYPE-C							
VERSION NO.	PLANT	BLDG	FL	SHT OF	TYPE	CLASS	
9	X-10	5700	3	2	S	U	
RELEASE LEVEL	SEI41-103						REV
WIP							2

H
 G
 F
 E
 D
 C
 B
 A