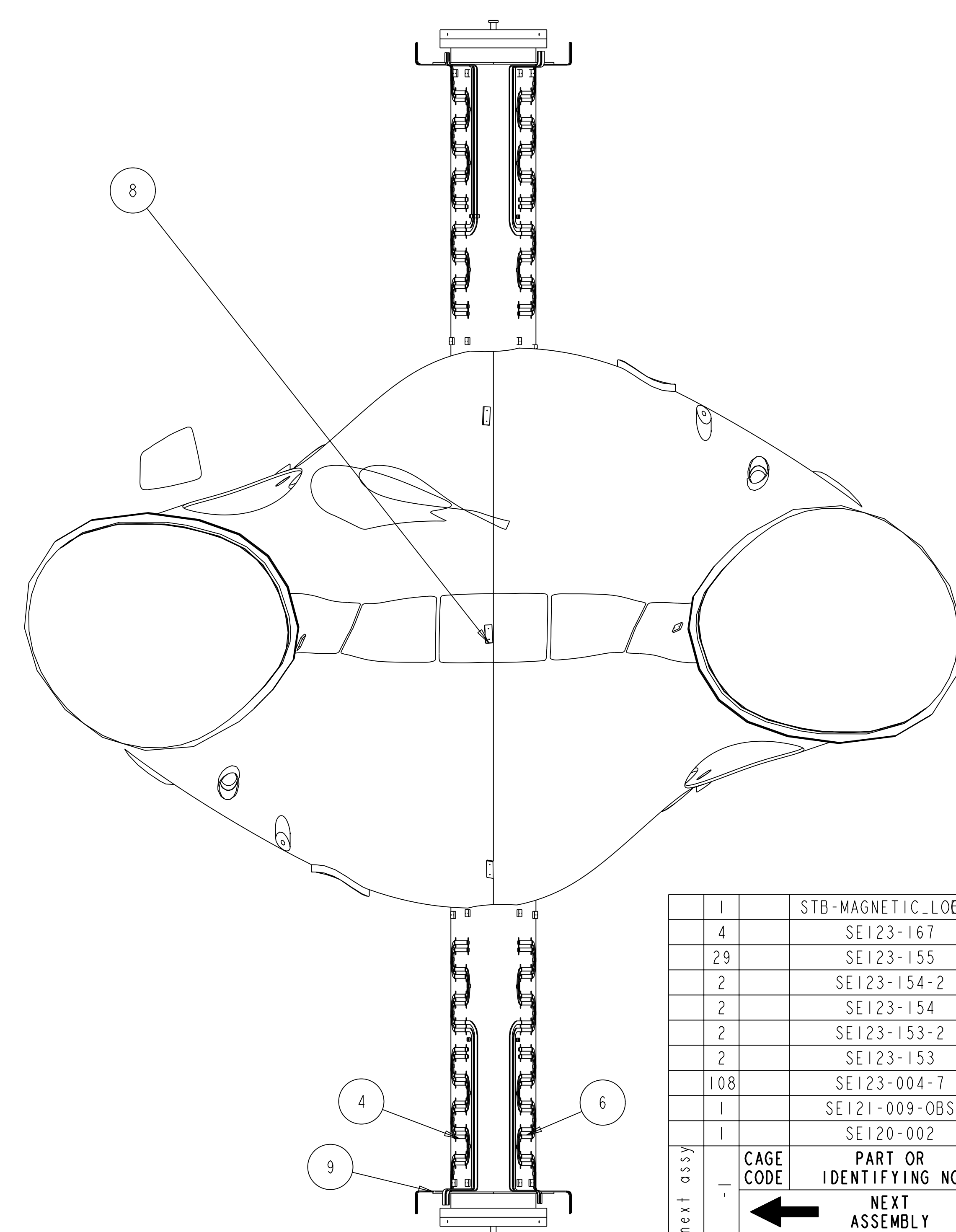
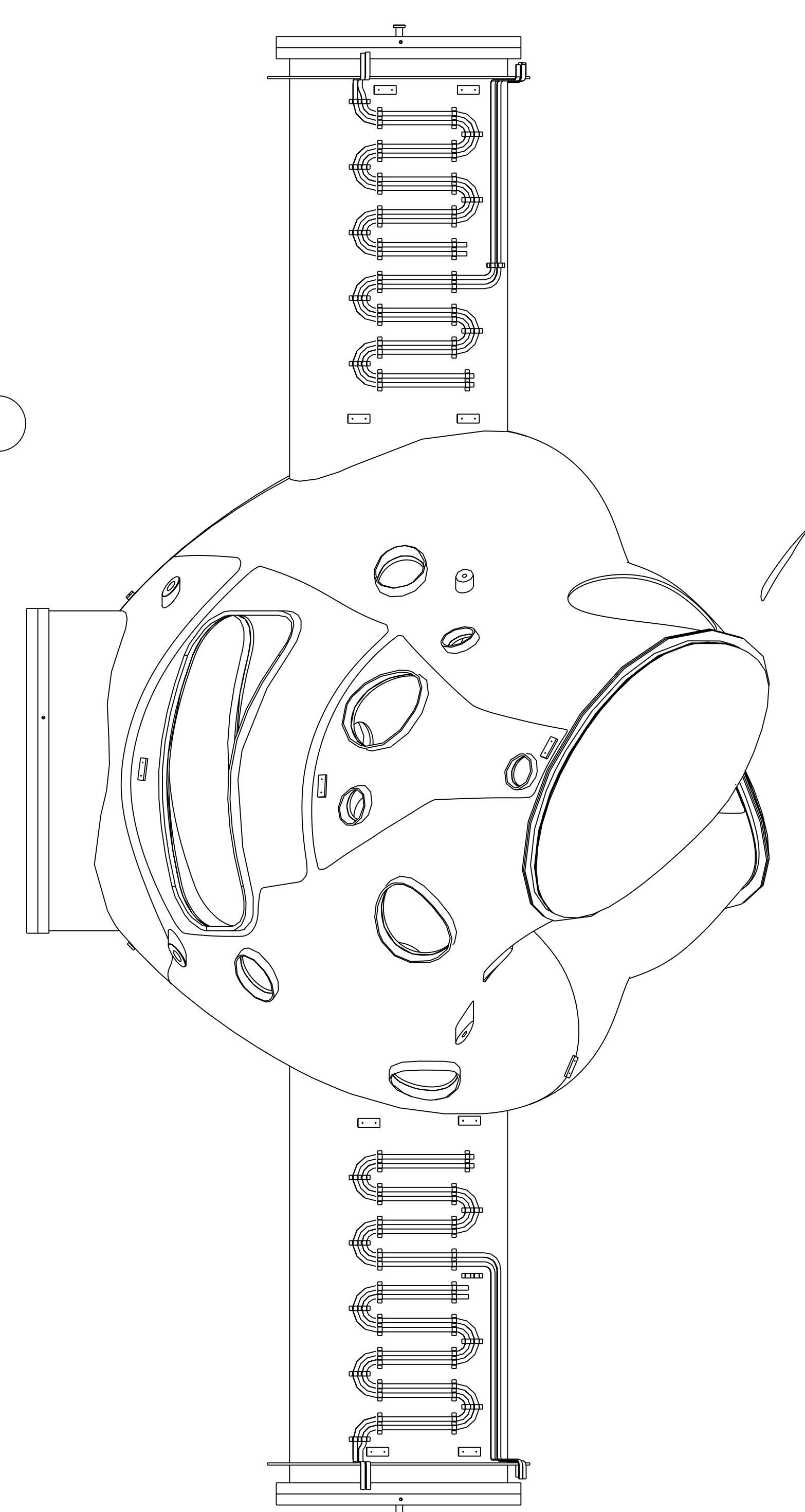
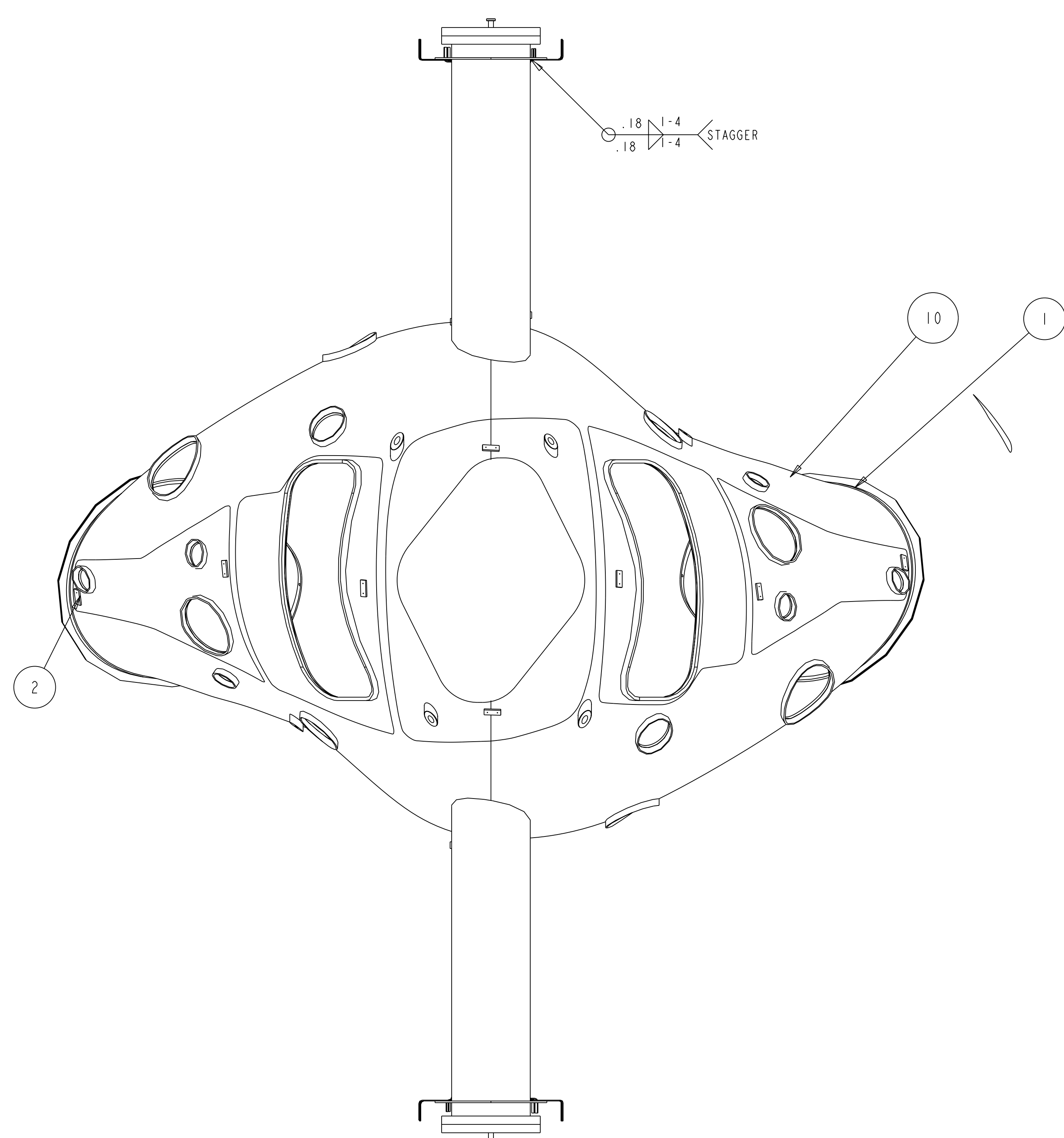
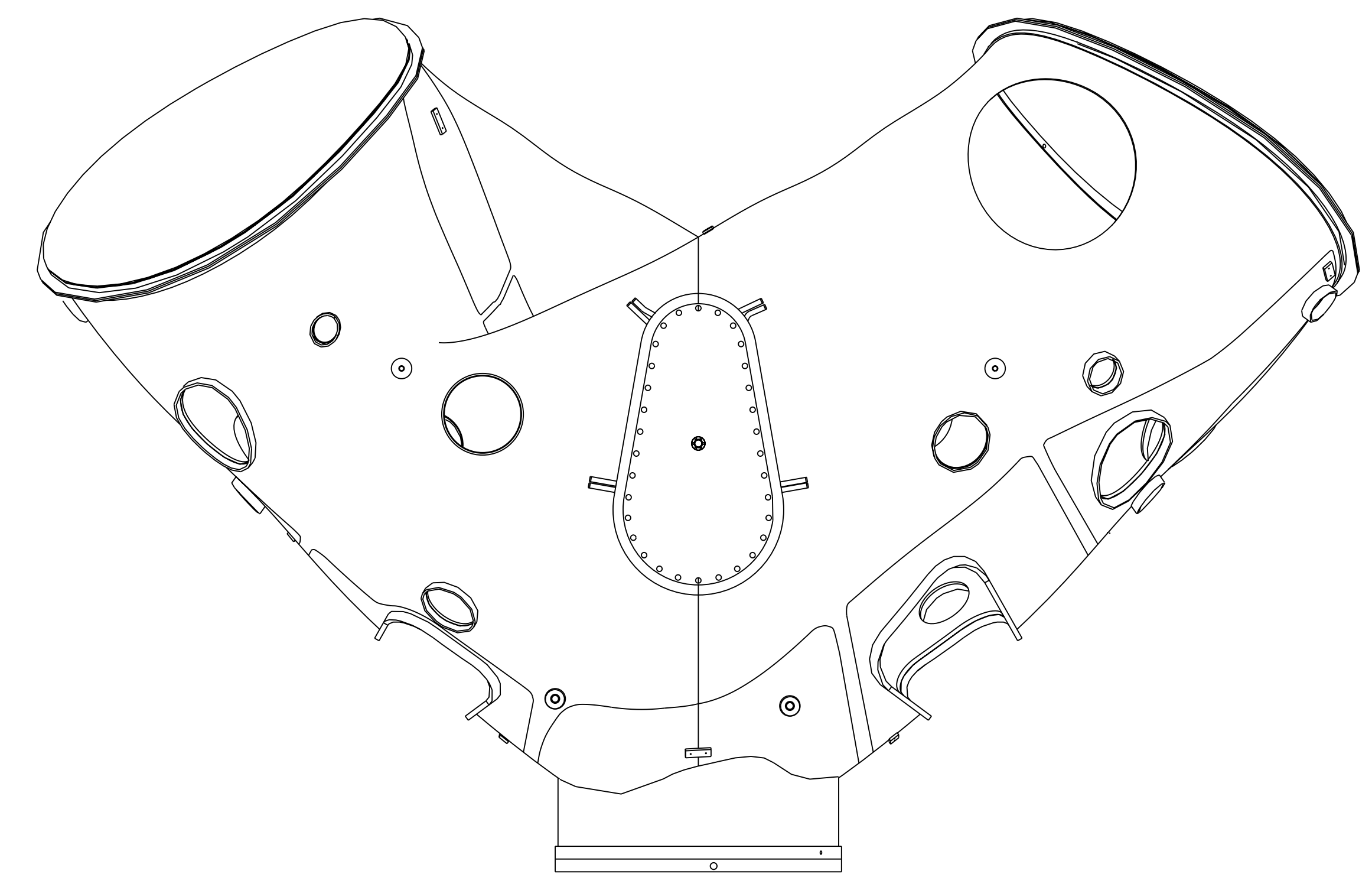


- NOTES
1. INTERPRET DRAWING PER MECHANICAL ENGINEERING DRAFTING STANDARD ES-3.1-2.
  2. INTERPRET DIMENSIONS AND TOLERANCES PER ANSI Y14.5M.
  3. DIMENSIONS ARE IN IN .



SCALE 0.090

REV	DESCRIPTION	BY	DATE	CHK	DEPT	DATE	PE	REQ	DATE	ORNL	DOE	DATE
1	STB-MAGNETIC LOADS BASIC GEOMETRY FOR ALL LOOPS ON VV	--	--	--	--	--	--	--	--	--	--	10
4	SE123-167 MOUNT FLANGE	Inconel 625	--	--	--	--	--	--	--	--	--	9
29	SE123-155 THERMOCOUPLE MOUNT PLT,	--	--	--	--	--	--	--	--	--	--	8
2	SE123-154-2 HEAT TAPE .50 WIDE X 120" LG	--	--	--	--	--	--	--	--	--	--	7
2	SE123-154 HEAT TAPE .50 WIDE X 120" LG	--	--	--	--	--	--	--	--	--	--	6
2	SE123-153-2 HEAT TAPE .50 WIDE X 120" LG	--	--	--	--	--	--	--	--	--	--	5
2	SE123-153 HEAT TAPE .50 WIDE X 120" LG	--	--	--	--	--	--	--	--	--	--	4
108	SE123-004-7 FOIL-HOLD DOWN	--	--	--	--	--	--	--	--	--	--	3
1	SE121-009-OBS	--	--	--	--	--	--	--	--	--	--	2
1	SE120-002 VACUUM VESSEL PERIOD ASSY	--	--	--	--	--	--	--	--	--	--	1

CAGE CODE	PART OR IDENTIFYING NO	NOMENCLATURE OR DESCRIPTION	MATERIAL	SPECIFICATION	FIND NO

NO REPRESENTATION OR WARRANTY, EXPRESSED OR IMPLIED, IS MADE AS TO THE ACCURACY, COMPLETENESS OR USEFULNESS OF THE INFORMATION OR STATEMENTS CONTAINED IN THESE DRAWINGS, OR THAT THE USE OR DISCLOSURE OF ANY INFORMATION, APPARATUS, METHOD OR PROCESS DISCLOSED IN THESE DRAWINGS MAY NOT INFRINGE PRIVATE RIGHTS OF OTHERS. NO LIABILITY IS ASSUMED WITH RESPECT TO THE USE OF, OR FOR DAMAGES RESULTING FROM THE USE OF, ANY INFORMATION, APPARATUS, METHOD OR PROCESS DISCLOSED IN THESE DRAWINGS. DRAWINGS MADE AVAILABLE FOR INFORMATION TO BIDDER ARE NOT TO BE USED FOR OTHER PURPOSES, AND ARE TO BE RETURNED UPON REQUEST OF THE FORWARDING CONTRACTOR.

**P** THIS DRAWING PRODUCED ON PRO-ENGINEER

SCALE NOTED

TOLERANCES UNLESS OTHERWISE SPECIFIED

FRACTIONS :  
 XX DECIMALS ±.01  
 XXX DECIMALS ±.005  
 ANGLES ±0°15'  
 BREAK SHARP EDGES OR MAX FINISH .125 UNLESS OTHERWISE SPECIFIED

DES: P. GORANSON 09/05  
 MT BROWN 09/05

ORNL 5700

UT-BATTELLE  
 NATIONAL COMPACT STELLARATOR EXPERIMENT  
 VVSA PHASE I ASSEMBLY

ORNL 5700 3 1 1 A U  
 SE121-005

REV	DESCRIPTION	BY	DATE	CHK	DEPT	DATE	PE	REQ	DATE	ORNL	DOE	DATE

SE121-005