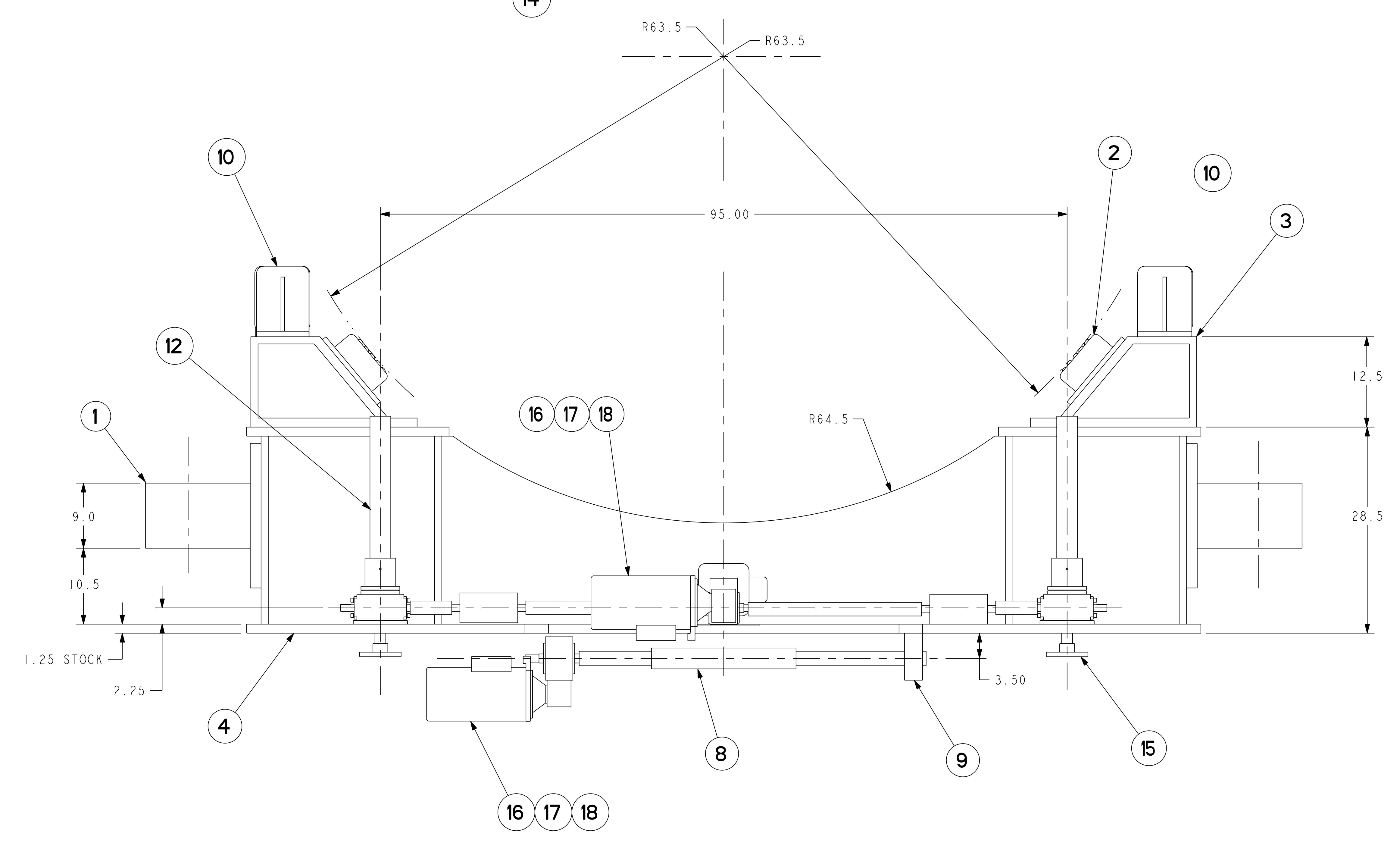
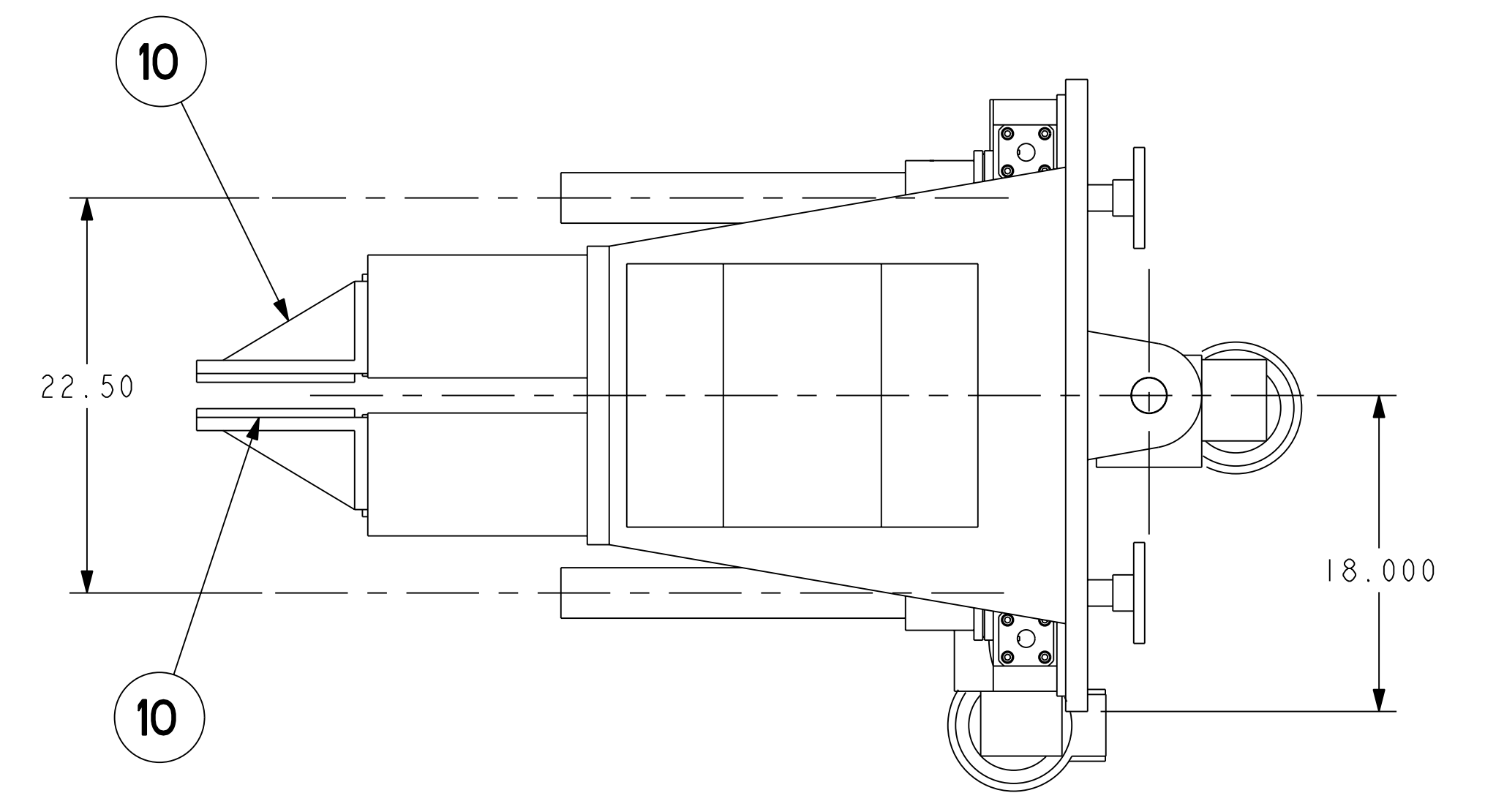
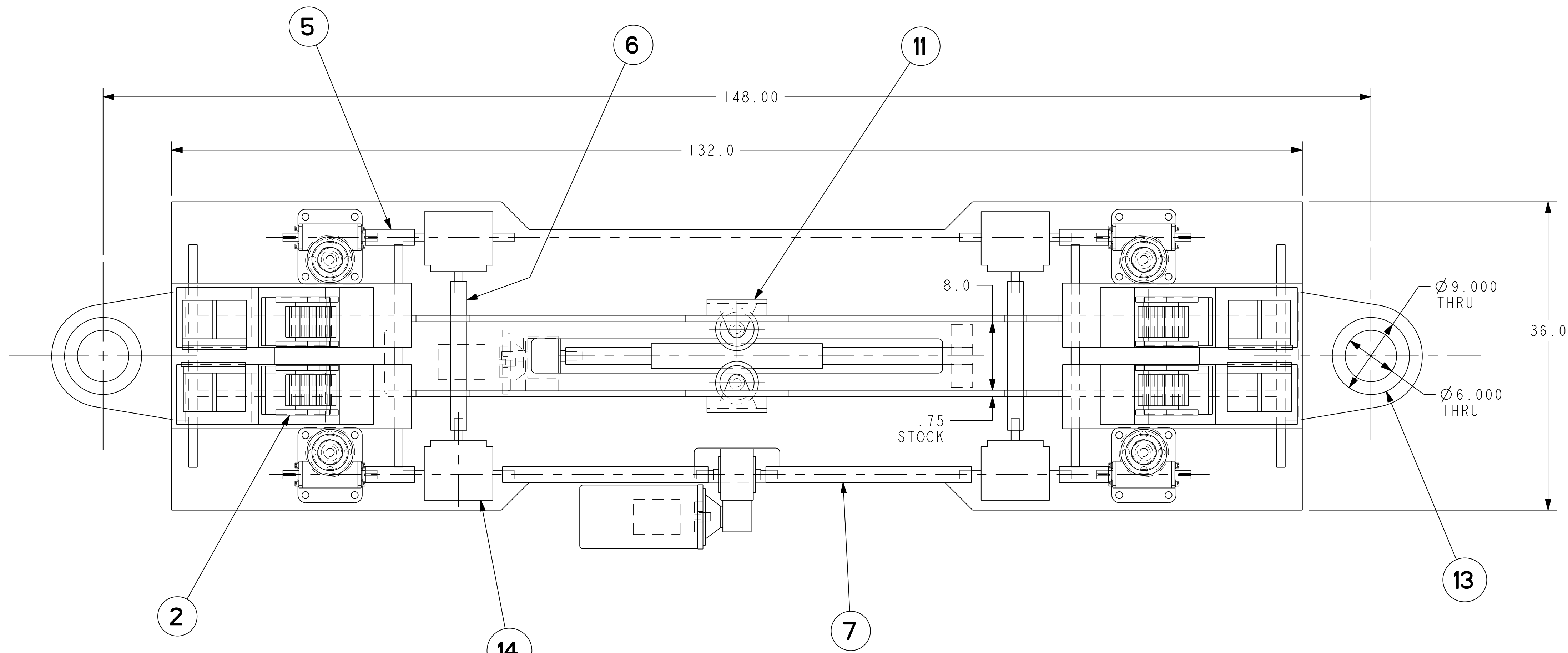


NO.	REVISION	BY	CH	SUP	APPROVED	DATE



2	18	COMM	MOTOR	--	
2	17	COMM	ENCODER	--	
2	16	COMM	REDUCER	--	
4	15	COMM	NOOK SCREW BASE - 10HL-BSJ-1	--	
4	14	COMM	ACTIONJAC - GEARBOX GB12	--	
2	13	COMM	BUSHING - 6" DIA	BRONZE	
4	12	COMM	NOOK ACTIONJAC PART #10HL-BSJ-1	--	
2	11	SE185-099-03	HORIZONTAL CASTER ASSEMBLY	--	
4	10	SE185-099-01	RETAINING PAD ASSEMBLY	--	
1	9	SE185-052	DRIVE AXLE SUPPORT	ASTM A36	
1	8	SE185-050	WORM GEAR DRIVE AXLE	ASTM A108	
2	7	SE185-047C	CONNECTING TUBE - 1 7/8 DIA x 24" LG	AISI 1020	
2	6	SE185-047B	CONNECTING TUBE - 1 7/8 DIA x 17.40" LG	AISI 1020	
4	5	SE185-047	CONNECTING TUBE - 1 7/8 DIA x 5 3/4" LG	AISI 1020	
1	4	SE185-018	ELEVATOR STRUCTURE	ASTM A36	
4	3	SE185-017	SUPPORT, ROLLER	ASTM A36	
4	2	SE185-016	HILMAN ROLLER ASSEMBLY	--	
2	1	SE185-015	OUTER SUPPORT	ASTM A36	
--	--	THIS DWG	CRADLE ELEVATOR ASSEMBLY	--	I

01 ASSEMBLY
SCALE 0.125
1 REQ'D

COMPUTER GENERATED DRAWING MANUAL CHANGES NOT PERMITTED Pro E		CENTRAL FILES: UNLESS OTHERWISE SPECIFIED DIMENSIONS ARE IN INCHES MACHINE SURFACES BREAK SHARP EDGES .005/.020	PRINCETON PLASMA PHYSICS LABORATORY PRINCETON UNIVERSITY NATIONAL COMPACT STELLARATOR EXPERIMENT FIELD PERIOD ASSEMBLY FIXTURE FIELD PERIOD ASSEMBLY CRADLE ELEVATOR ASSEMBLY	
WEIGHT 7040.9 lbs	MODEL NAME SE185-005-01	TOLERANCES NON-CUMULATIVE DECIMAL-INCH FRACTIONS .X ±.010 0"-.125" ±.010 .XX ±.005 12"-.125" ±.010 .XXX ±.005 12"-.125" ±.010 ANGULAR ±.015" OVER 120° ±.125	DSN: M.MESSINGO CHK: ENGR: T.BROWN SUPV:	DRAWING NO: SE185-005 SHEET 1 OF 1 REV 0

RELEASE LEVEL: WIP
DWG VERSION NO:

NCSX-SE185-005