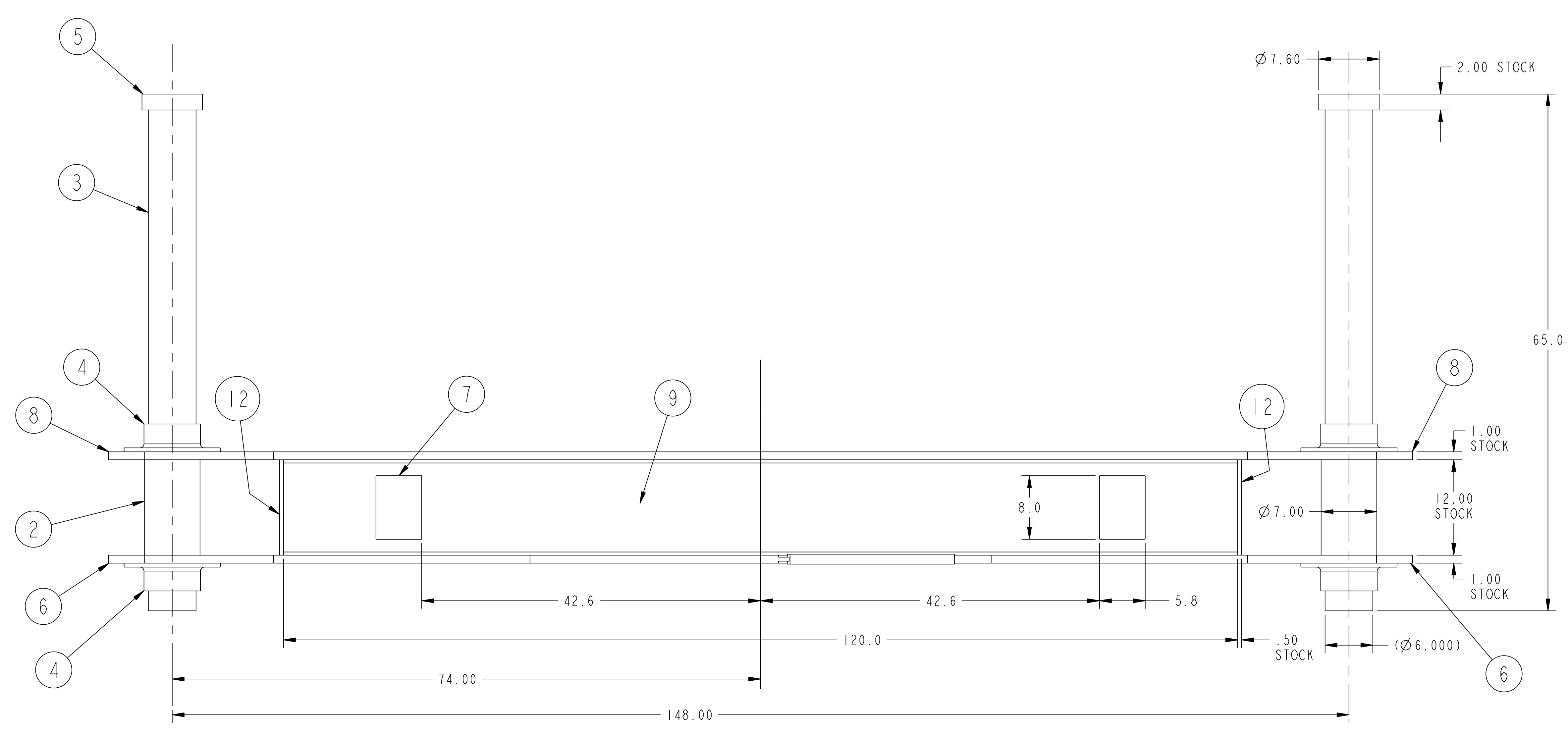
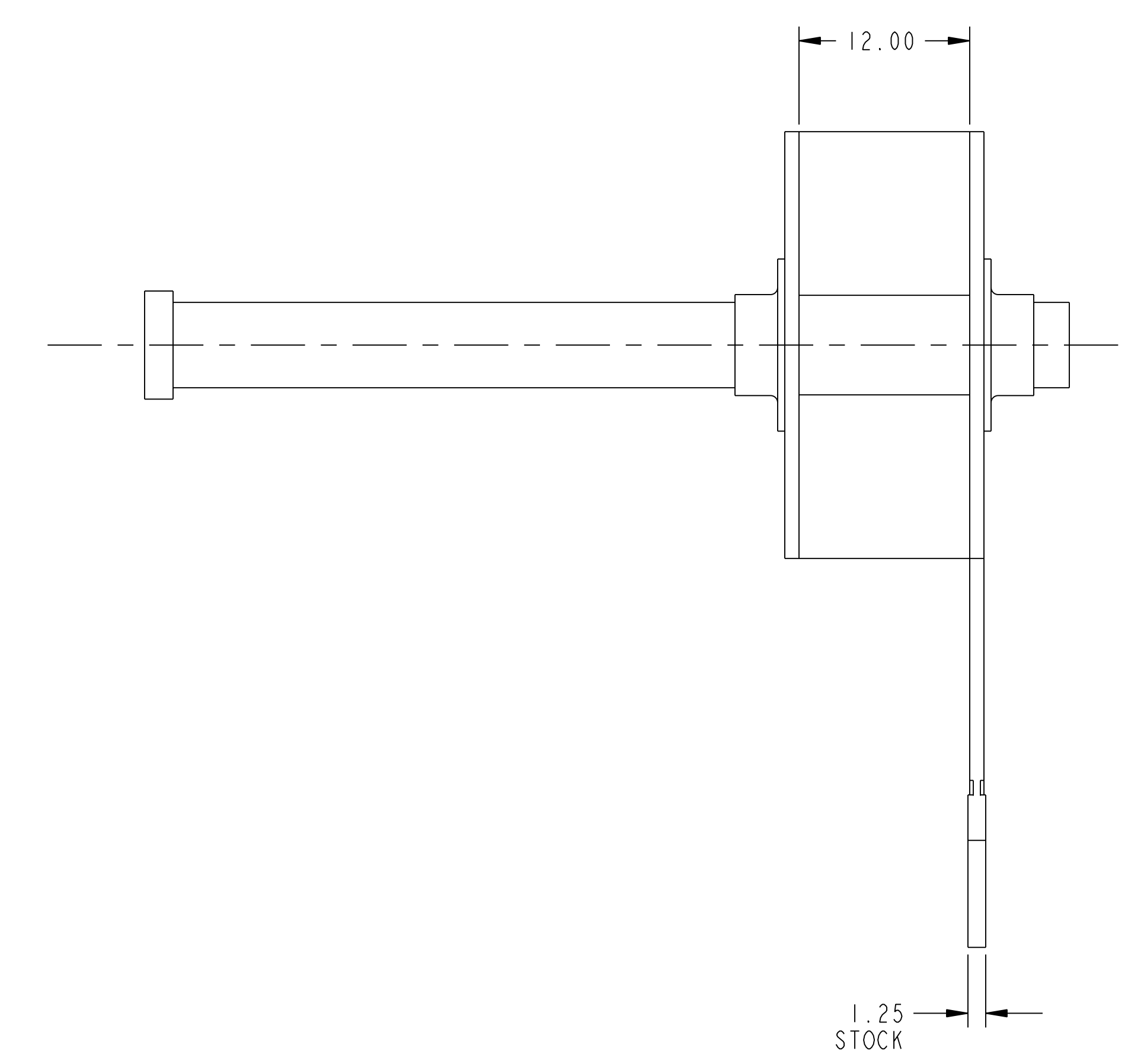
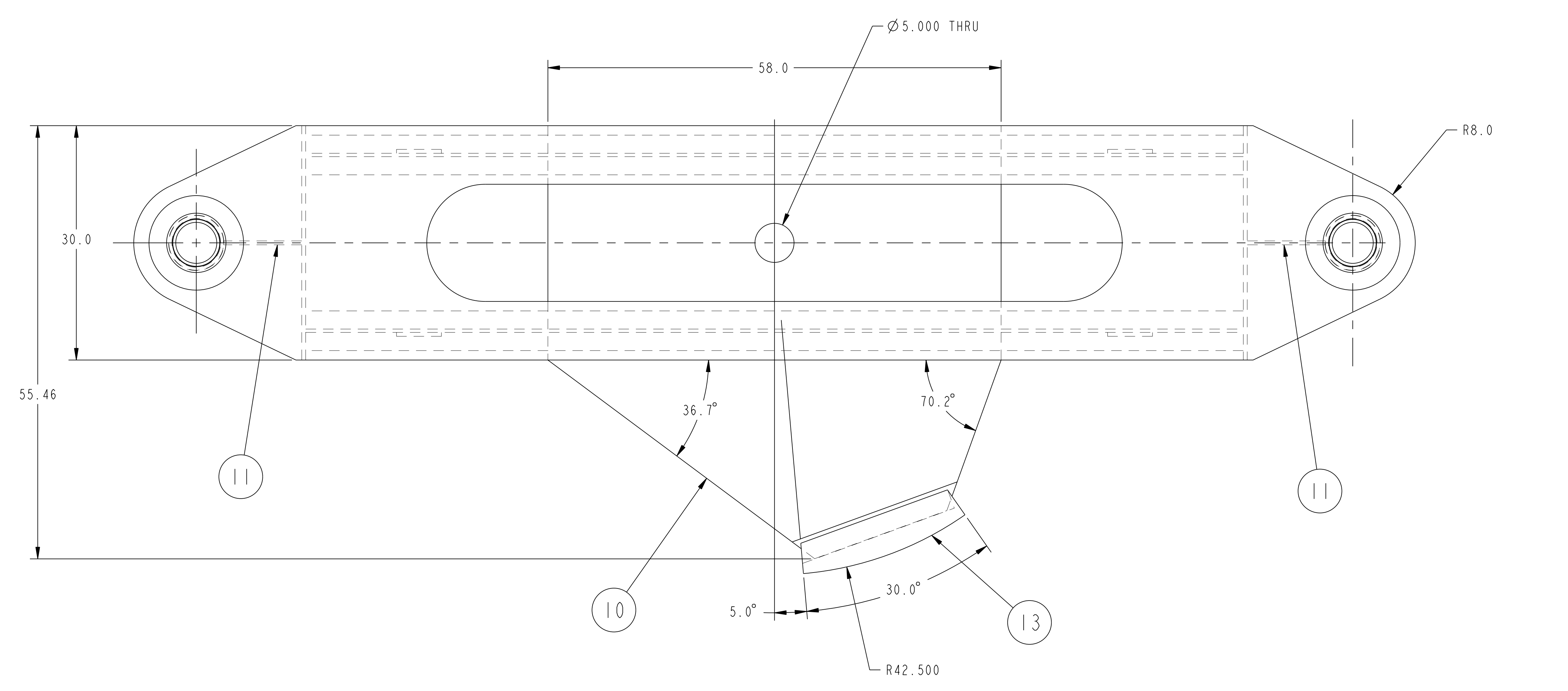


NO.	REVISION	BY	CH	SUP	APPROVED	DATE



PART NO.	DRAWING NO	NOMENCLATURE OR DESCRIPTION	MATERIAL	QTY RECD
14	10HL-BSJ-1	SCREW BASE	NOOK ACTIONJAC BASE ASSEMBLY	4
13	SE185-046-1B	ROLLED RACK GEAR - 8 PITCH	STEEL	1
12	SE185-080	VERTICAL GUIDE END PLATE	ASTM A36	2
11	SE185-082	VERTICAL GUIDE CENTER PLATE	ASTM A36	2
10	SE185-022	TOP PLATE	ASTM A36	1
9	SE185-045-3	SUPPORT BEAM - S12 x 35# x 120" LG	ASTM A36	2
8	SE185-023	NOOK ACTIONJAC MOUNTING PLATE	ASTM A36	2
7	SE185-045-8	I BEAM SIDE PLATE	ASTM A36	4
6	SE185-025	GUIDE SHAFT PLATE	ASTM A36	2
5	SE185-085	VERTICAL GUIDE TUBE RETAINER FLANGE	AISI 1020	2
4	SE185-083	VERTICAL GUIDE TUBE CONSTRAINT	AISI 1020	4
3	SE185-030	VERTICAL GUIDE TUBE	AISI 1020	2
2	SE185-081	VERTICAL GUIDE RETAINING TUBE	AISI 1020	2
1	SE185-008	VERTICAL GUIDE STRUCTURE ASSEMBLY	--	1

ASSEMBLY
SCALE 0.125
1 REQ'D

WEIGHT
3923.2 lbs

MODEL NAME
SE185-008

RELEASE LEVEL: WIP
DWG VERSION NO:

COMPUTER GENERATED DRAWING
MANUAL CHANGES NOT PERMITTED
Pr o E

CENTRAL FILES:
UNLESS OTHERWISE SPECIFIED
DIMENSIONS ARE IN INCHES
MACHINE SURFACES
BREAK SHARP EDGES .005/.020

PRINCETON PLASMA PHYSICS LABORATORY
PRINCETON UNIVERSITY
NATIONAL COMPACT STELLARATOR EXPERIMENT
FIELD PERIOD ASSEMBLY
FIELD PERIOD ASSEMBLY FIXTURE
VERTICAL GUIDE STRUCTURE ASSEMBLY

TOLERANCES NON-CUMULATIVE
DECIMAL-INCH FRACTIONS
XX +/- .000 0°-120° +/- .010
XXX +/- .005 120°-120° +/- .010
ANGULAR +/- .0°-15° OVER 120° +/- .1°

DSN: M. MESSINEO
CHK: ENGR: T. BROWN
SUPV:

DRAWING NO:
SE185-008

SHEET 1 OF 1
REV 0

NCSX-SE185-008