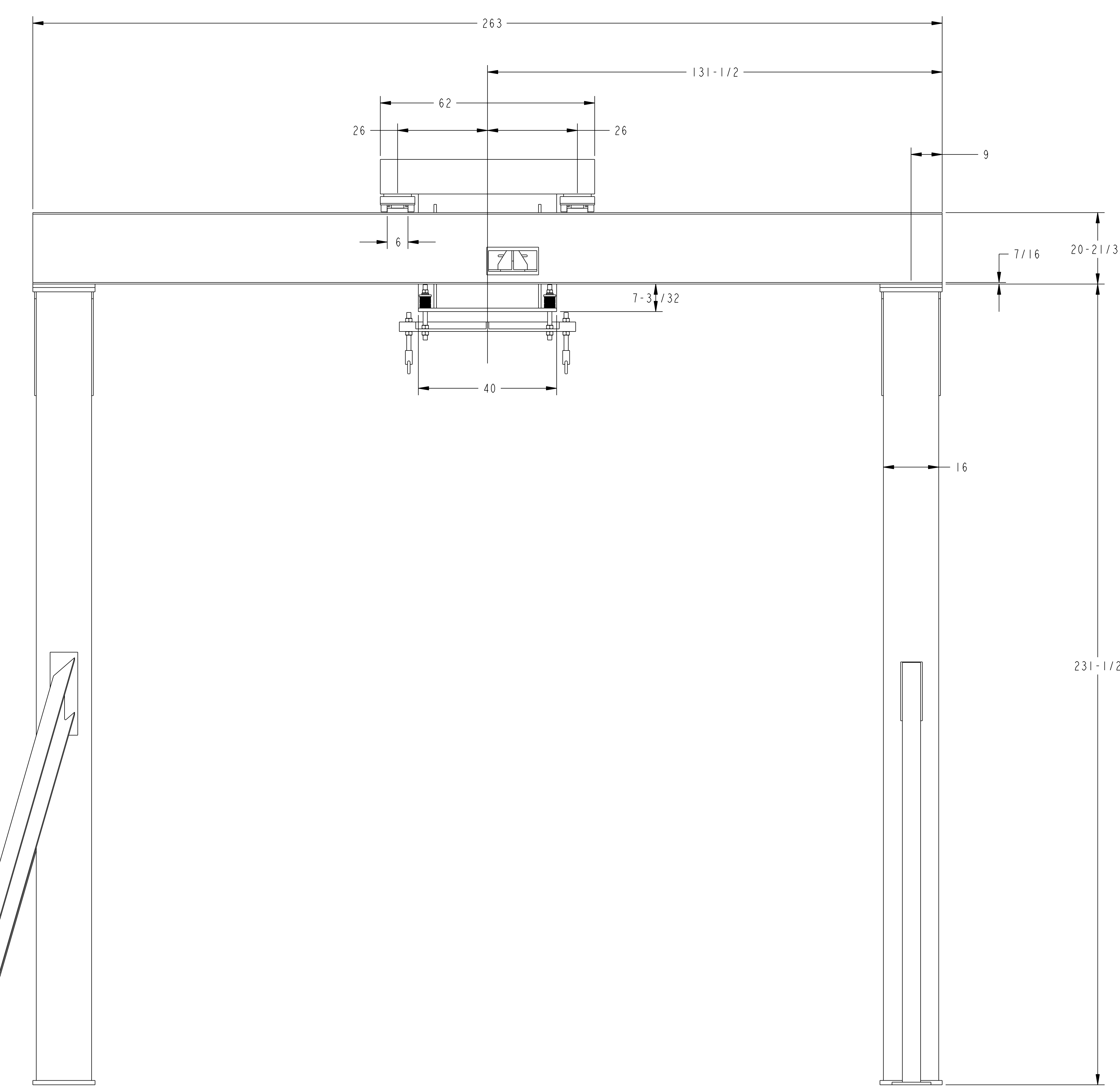
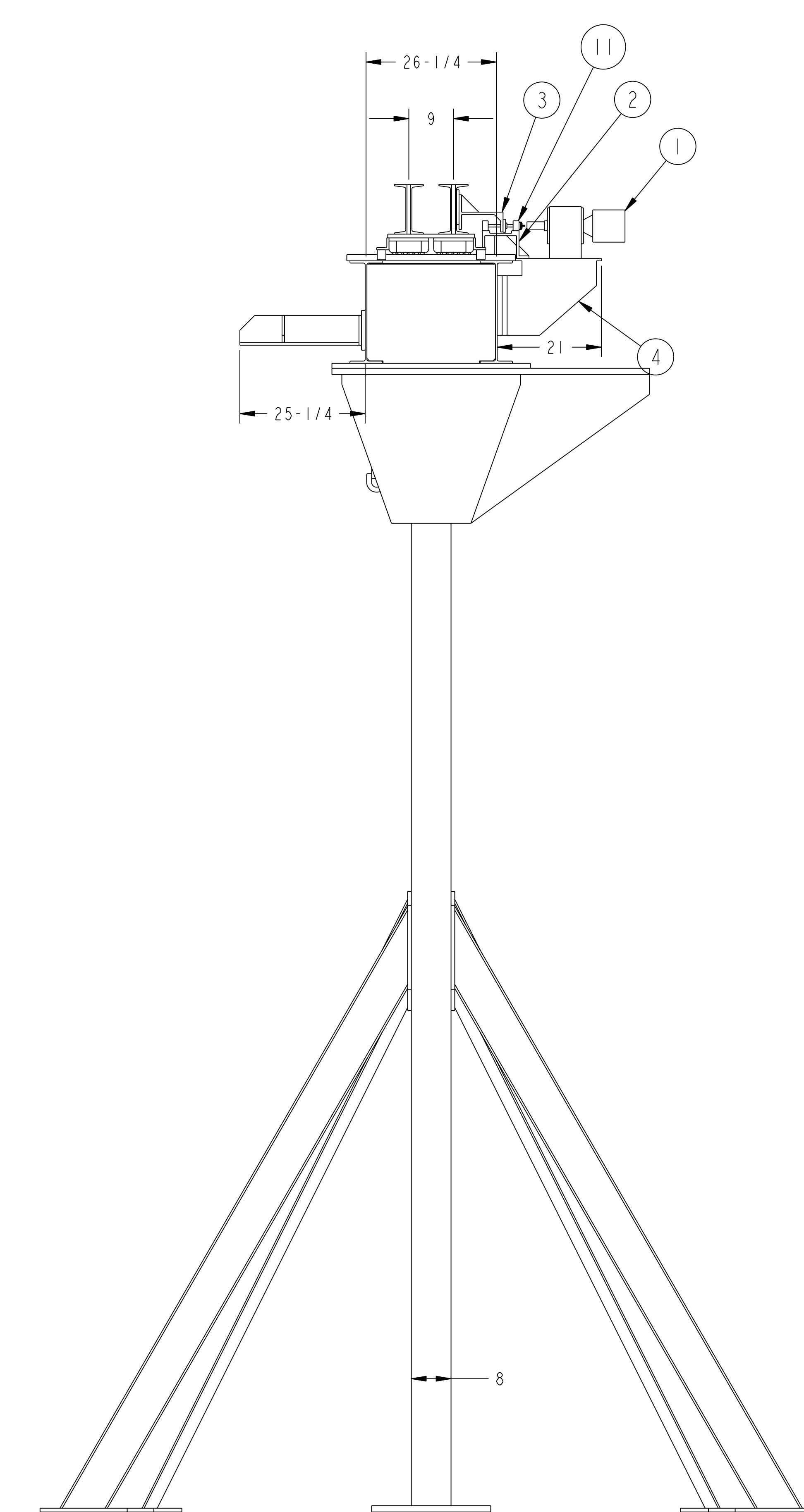
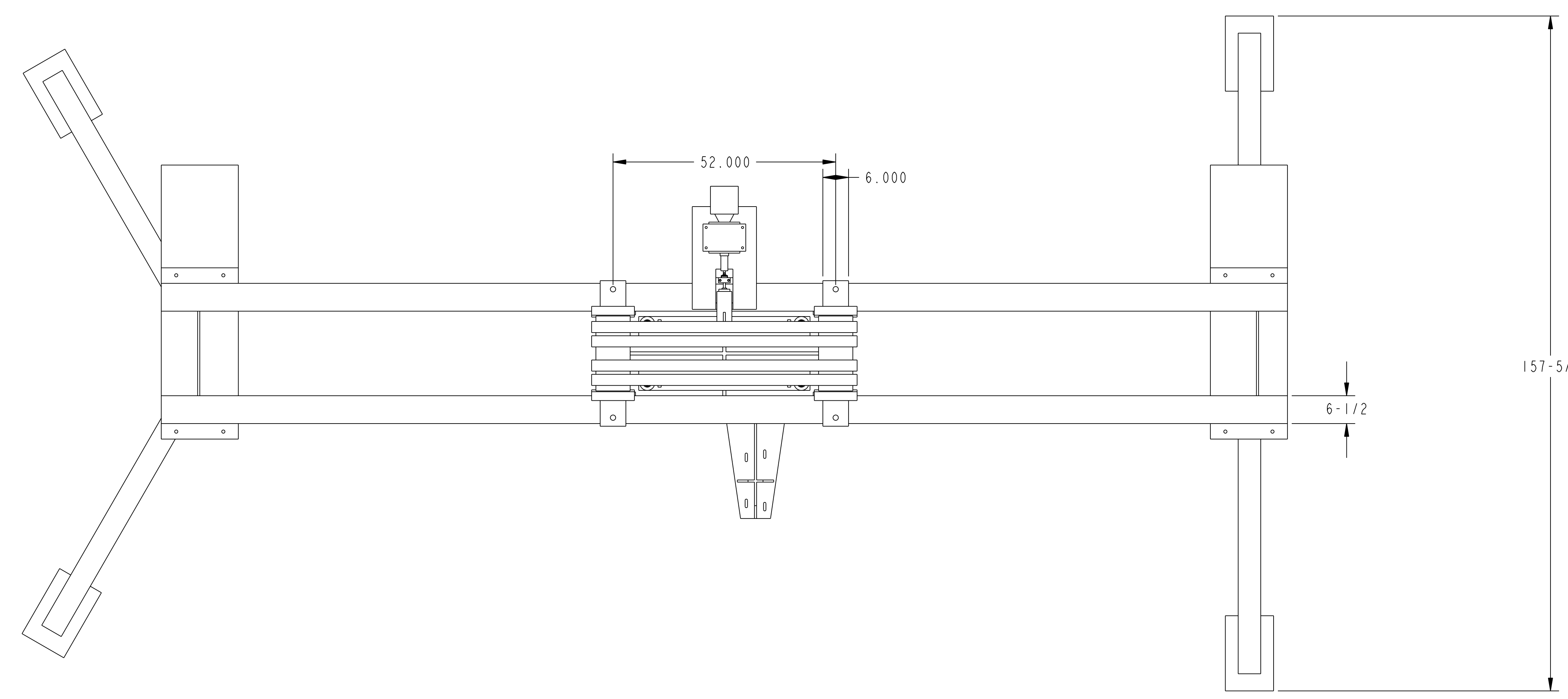


NO.	REVISION	BY	CH	SUP	APPROVED	DATE



PART NO.	DRAWING NO	NOMENCLATURE OR DESCRIPTION	MATERIAL	QTY	RECD
18	SE185-NOOK050	TRAVEL NOOK 1/2-10 ACME X 3" TRAVEL ASSEMBLY	STN STL	1	
17	SE185-1P25	1-1/4 UNC STANDARD HEX NUT	STN STL	16	
16	SE185-072	TROLLEY ASSEMBLY	STEEL	1	
15	SE185-071	BRIDGE SUPPORT	STEEL	2	
14	SE185-069	BRIDGE STEEL ASSEMBLY	STEEL	1	
13	SE185-067-3	BRACE	STEEL	1	
12	SE185-067-2	BRACE	STEEL	1	
11	SE185-067-1	BRACE	STEEL	2	
10	SE185-102	TROLLEY ACTUATOR MOUNTING BRACKET	ASTM A36	1	
9	SE185-103	PUSH BRACKET	ASTM A36	1	
8	SE185-104	NOOK SCREW ASSEMBLY MOUNTING BRACKET	ASTM A36	1	
7	LM.SE185-LIFT-PLATE	LIFT PLATE	--	1	
6	SE185-051	GEARMOTOR	--	1	
5	LM.SE185-CONN-LINK	CONNECTING LINK	--	4	
4	LM.SE185-123-2	CATWALK	--	1	
3	LM.SE185-123	CATWALK	--	1	
2	LM.SE185-120-02	ACCESS PLATFORM WITH LADDER - OPPOSITE	--	1	
1	LM.SE185-120	ACCESS PLATFORM WITH LADDER	--	1	

WEIGHT
16526.8 lbs

MODEL NAME
SE185-067

RELEASE LEVEL: WIP
DWG VERSION NO: 1

COMPUTER GENERATED DRAWING
MANUAL CHANGES NOT PERMITTED
Pr o E
DO NOT VERIFY INFORMATION BY SCALING DRAWING

CENTRAL FILES:
UNLESS OTHERWISE SPECIFIED
DIMENSIONS ARE IN INCHES
MACHINE SURFACES
BREAK SHARP EDGES .005/.020

TOLERANCES NON-CUMULATIVE
DECIMAL-INCH FRACTIONS
.XX ±.010 0"-.125 ±.010
.XX ±.030 12"-.125 ±.010
.XXX ±.005 12"-.125 ±.010
ANGULAR ±.015° OVER 120° ±.1°

DSN: T.BROWN/BP
CHK: T.BROWN
ENGR: T.BROWN
SUPV: T.BROWN

PRINCETON PLASMA PHYSICS LABORATORY
PRINCETON UNIVERSITY
NATIONAL COMPACT STELLARATOR EXPERIMENT
FIELD PERIOD ASSEMBLY
FIELD PERIOD ASSEMBLY FIXTURE
FIELD PERIOD SUPPORT RAIL ASSEMBLY

DRAWING NO:
SE185-067

SHEET 1 OF 1 REV 0