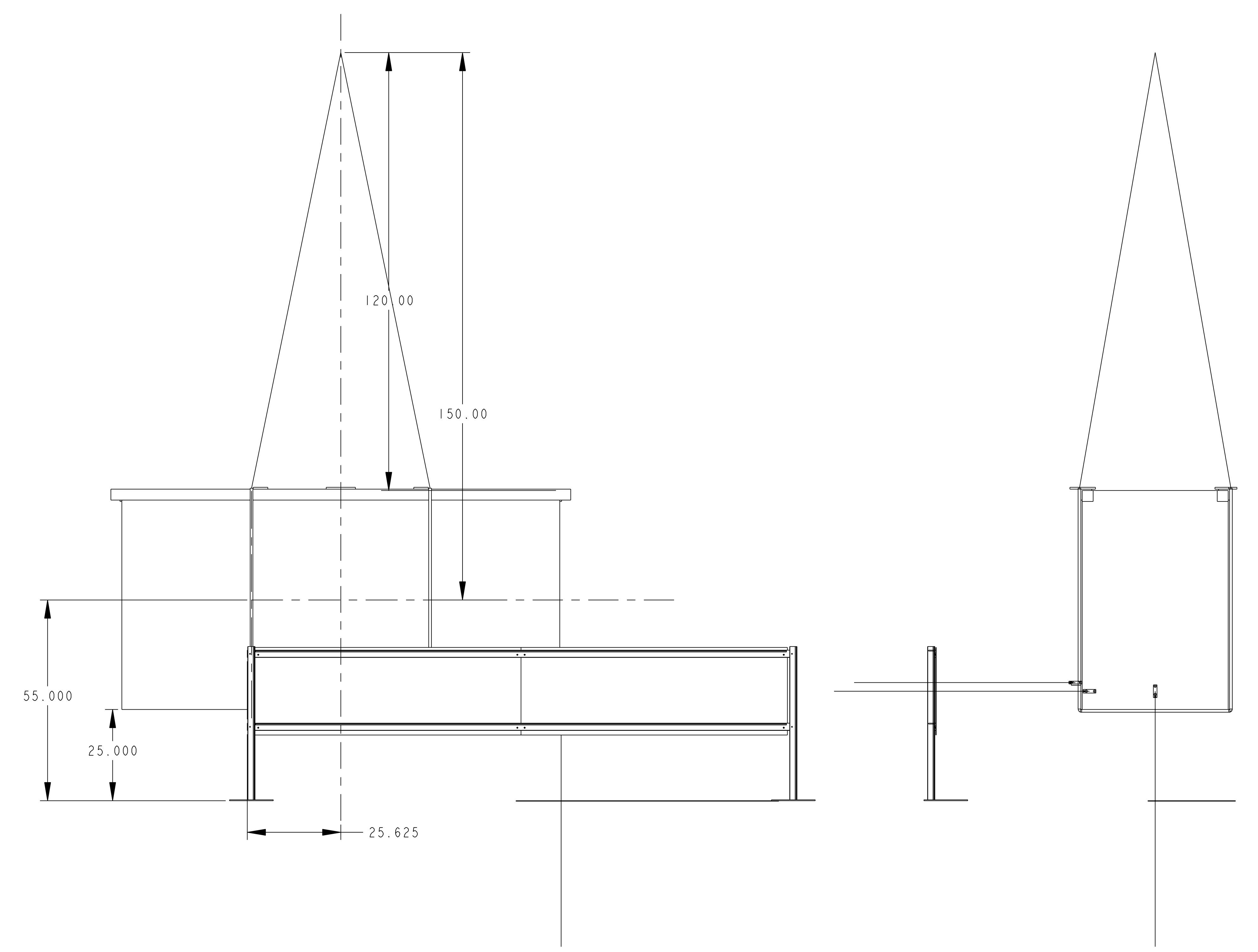
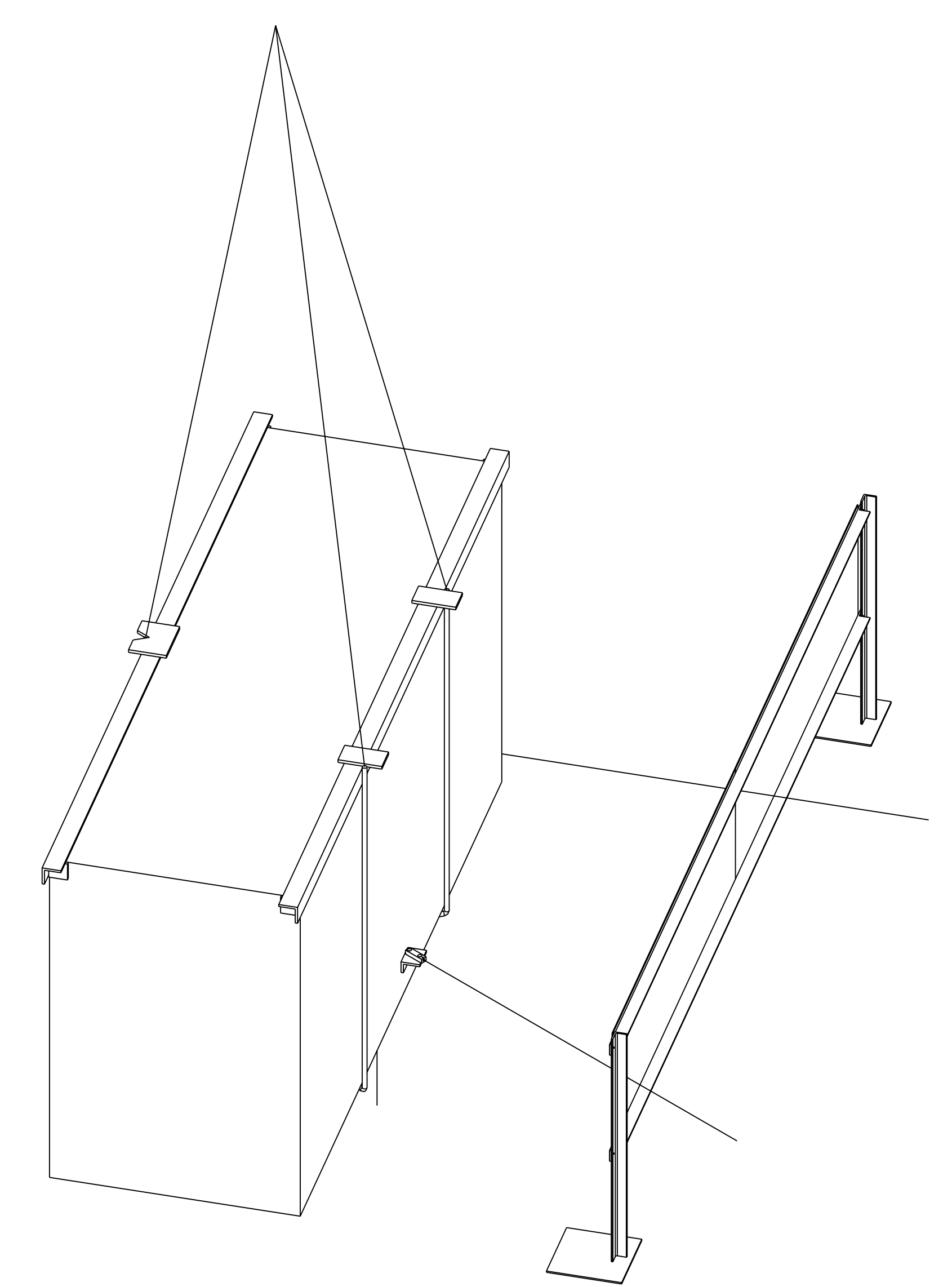
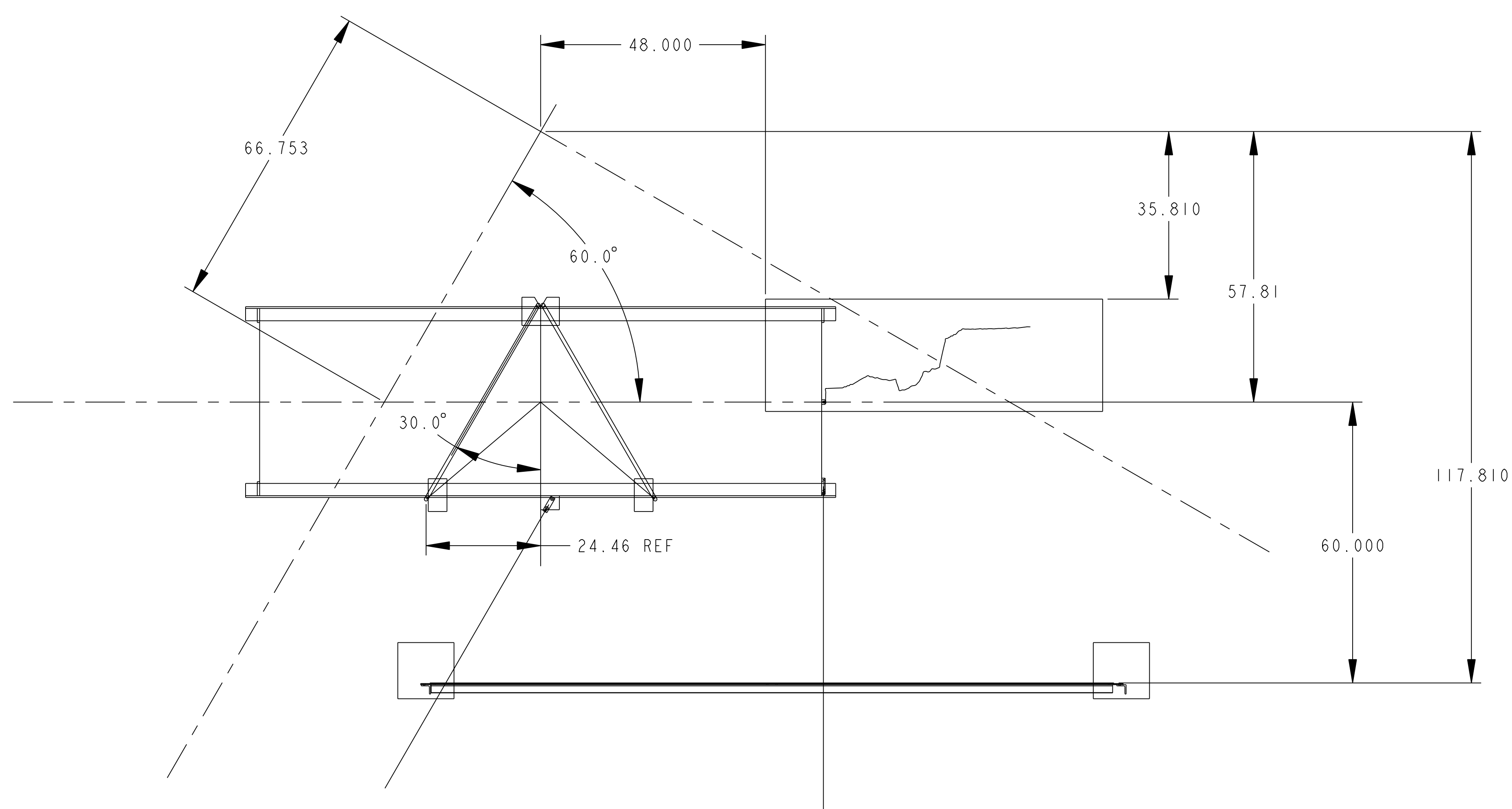


NO.	REVISION	BY	CH	SUP	APPROVED	DATE

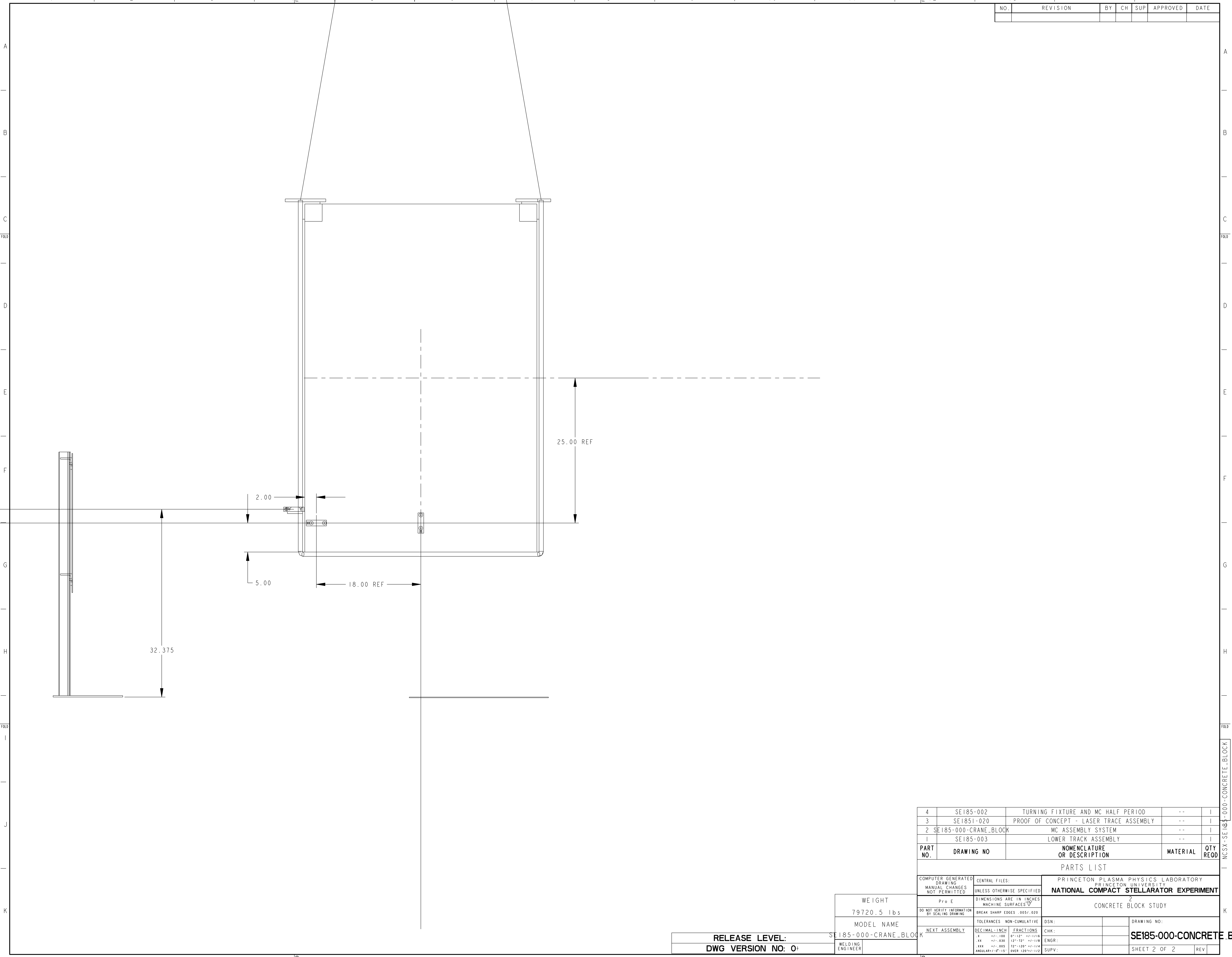


4	SE185-002	TURNING FIXTURE AND MC HALF PERIOD	--	I
3	SE1851-020	PROOF OF CONCEPT - LASER TRACE ASSEMBLY	--	I
2	SE185-000-CRANE_BLOCK	MC ASSEMBLY SYSTEM	--	I
1	SE185-003	LOWER TRACK ASSEMBLY	--	I
PART NO.	DRAWING NO	NOMENCLATURE OR DESCRIPTION	MATERIAL	QTY REOD
PARTS LIST				
COMPUTER GENERATED DRAWING MANUAL CHANGES NOT PERMITTED Pro E		CENTRAL FILES: UNLESS OTHERWISE SPECIFIED	PRINCETON PLASMA PHYSICS LABORATORY PRINCETON UNIVERSITY	
DO NOT VERIFY INFORMATION BY SCALING DRAWING		DIMENSIONS ARE IN INCHES MACHINE SURFACES BREAK SHARP EDGES .005/.020	NATIONAL COMPACT STELLARATOR EXPERIMENT CONCRETE BLOCK STUDY	
WEIGHT 79720.5 lbs		TOLERANCES NON-CUMULATIVE	DSN:	DRAWING NO:
MODEL NAME SE185-000-CRANE_BLOCK		DECIMAL-INCH FRACTIONS	CHK:	SE185-000-CONCRETE BLOC
NEXT ASSEMBLY		.XX +/- .030 0°-120° +/- .010 .XXX +/- .005 120°-120° +/- .010 ANGULAR +/- .0°-15° OVER 120° +/- .172	ENGR: T BROWN	SHEET 1 OF 2
WELDING ENGINEER		ANGLAR +/- .0°-15° OVER 120° +/- .172	SUPV:	REV

RELEASE LEVEL: SE185-000-CRANE_BLOCK
DWG VERSION NO:

NCSX-SE185-000-CONCRETE_BLOCK

NO.	REVISION	BY	CH	SUP	APPROVED	DATE



4	SE185-002	TURNING FIXTURE AND MC HALF PERIOD	--	1
3	SE1851-020	PROOF OF CONCEPT - LASER TRACE ASSEMBLY	--	1
2	SE185-000-CRANE_BLOCK	MC ASSEMBLY SYSTEM	--	1
1	SE185-003	LOWER TRACK ASSEMBLY	--	1
PART NO.	DRAWING NO	NOMENCLATURE OR DESCRIPTION	MATERIAL	QTY REOD
PARTS LIST				
COMPUTER GENERATED DRAWING MANUAL CHANGES NOT PERMITTED		CENTRAL FILES: UNLESS OTHERWISE SPECIFIED	PRINCETON PLASMA PHYSICS LABORATORY PRINCETON UNIVERSITY	
Pro E		DIMENSIONS ARE IN INCHES MACHINE SURFACES	2 CONCRETE BLOCK STUDY	
DO NOT VERIFY INFORMATION BY SCALING DRAWING		BREAK SHARP EDGES .005/.020	DRAWING NO:	
WEIGHT 79720.5 lbs		TOLERANCES NON-CUMULATIVE	CHK:	
MODEL NAME SE185-000-CRANE_BLOCK		DECIMAL-INCH FRACTIONS	ENGR:	
NEXT ASSEMBLY		.XX +/- .030 0°-120° +/- .010 .XXX +/- .005 120°-120° +/- .010 ANGULAR +/- .0°-15° OVER 120° +/- .172	SUPV:	
RELEASE LEVEL: DWG VERSION NO: 0			SHEET 2 OF 2	
WELDING ENGINEER			REV	

NCSX-SE185-000-CONCRETE_BLOCK

NCSX-SE185-000-CONCRETE_BLOC