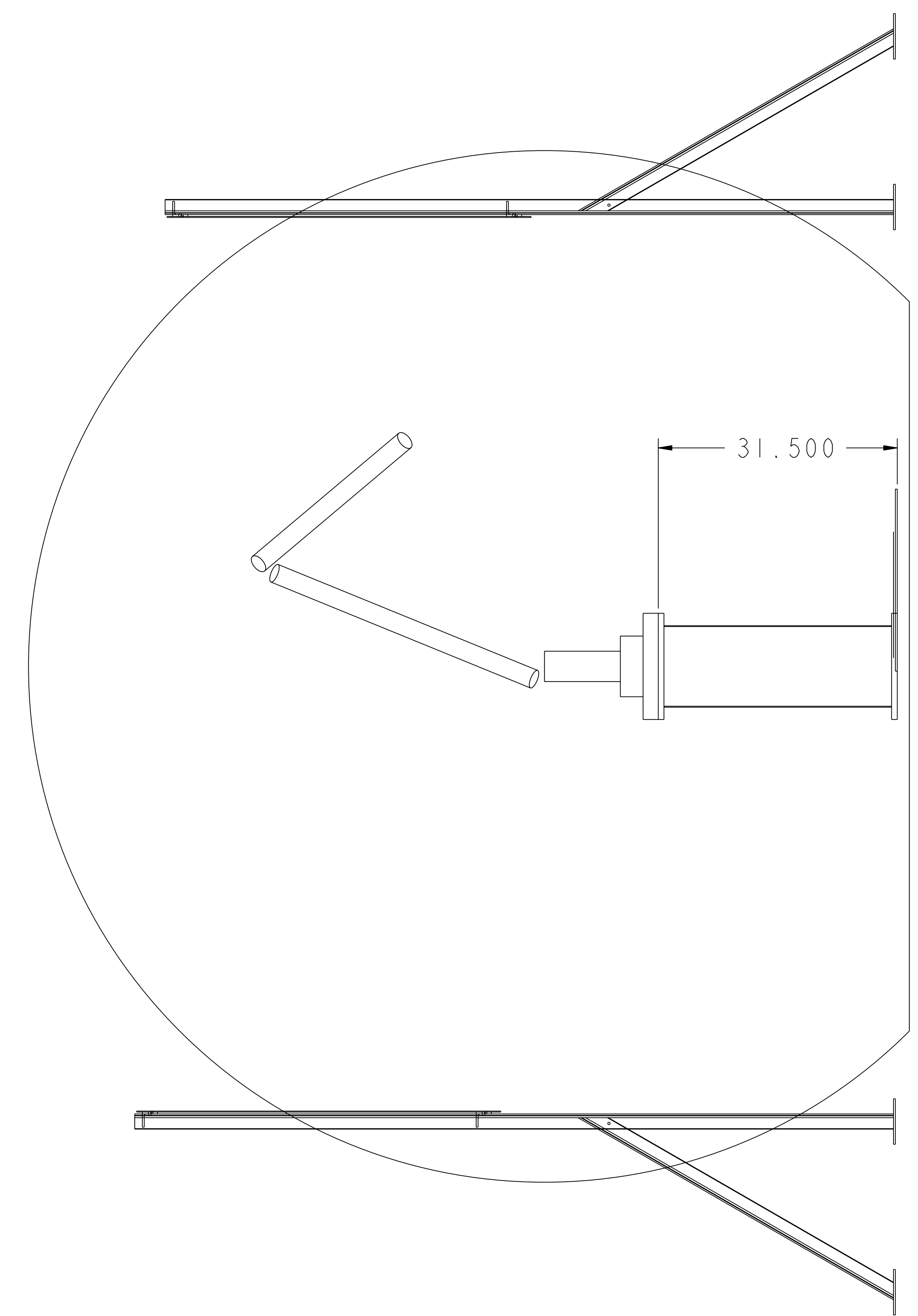
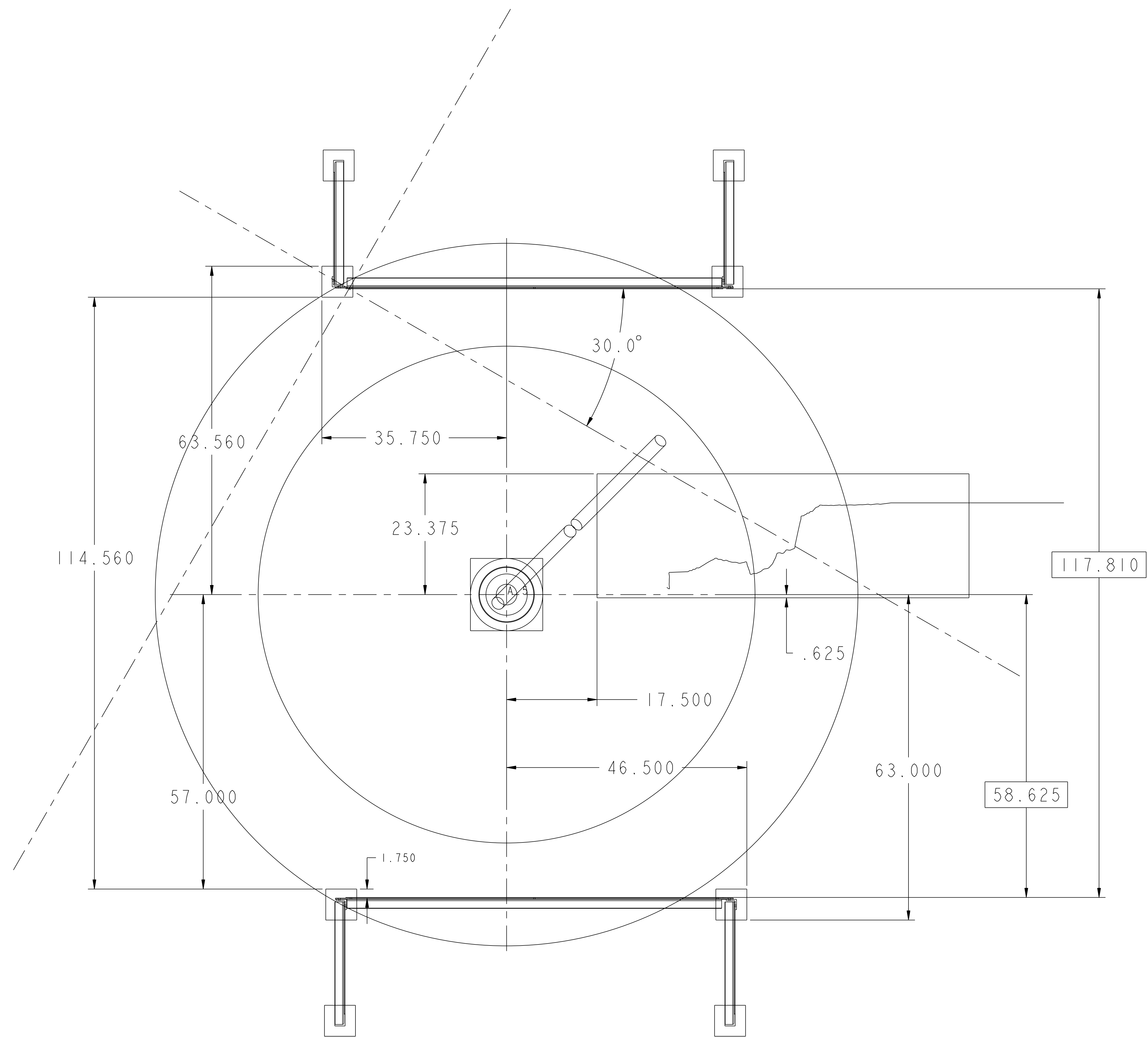


NO.	REVISION	BY	CH	SUP	APPROVED	DATE



RELEASE LEVEL: WIP  
 DWG VERSION NO: 2

WEIGHT  
 1380.6 lbs  
 MODEL NAME  
 SE1851-018  
 WELDING  
 ENGINEER

PART NO.	DRAWING NO	NOMENCLATURE OR DESCRIPTION	MATERIAL	QTY REOD
SE1851-017-1	PROOF OF CONCEPT - BASE PLATE	ASTM A36		
PARTS LIST				
PRINCETON PLASMA PHYSICS LABORATORY PRINCETON UNIVERSITY NATIONAL COMPACT STELLARATOR EXPERIMENT				
COMPUTER GENERATED DRAWING MANUAL CHANGES NOT PERMITTED		CENTRAL FILES: UNLESS OTHERWISE SPECIFIED	DIMENSIONS ARE IN INCHES MACHINE SURFACES	
DO NOT VERIFY INFORMATION BY SCALING DRAWING		TOLERANCES NON-CUMULATIVE	DSN:	DRAWING NO:
NEXT ASSEMBLY		DECIMAL-INCH FRACTIONS	CHK:	SE1851-020
		.XX +/- .030 12"-12" +/- .170	ENGR:	
		.XXX +/- .005 12"-120" +/- .174	SUPV:	SHEET 7 OF 7
		ANGULAR +/- .015 OVER 120" +/- .172		REV 0

NCSX-SE1851-020