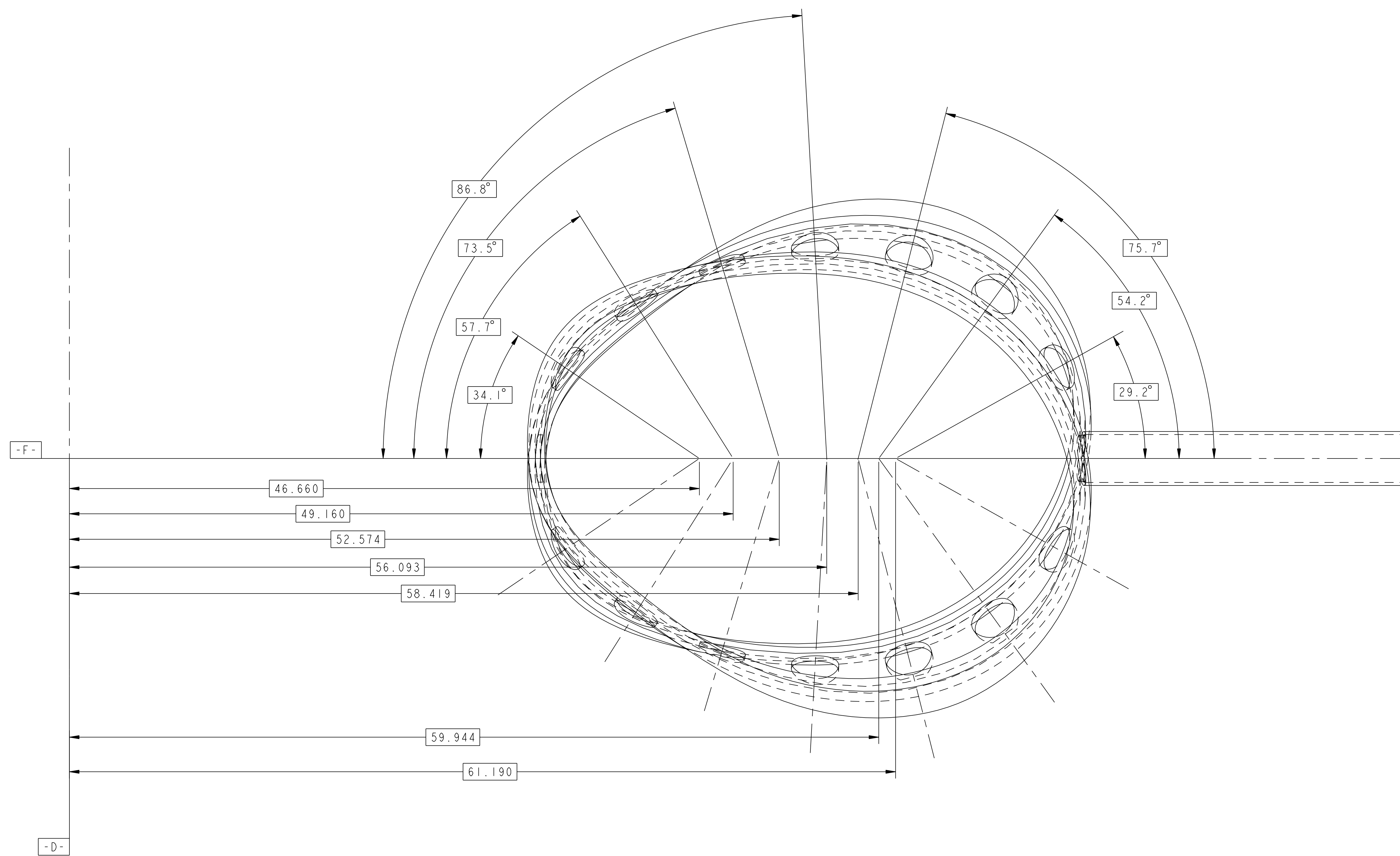
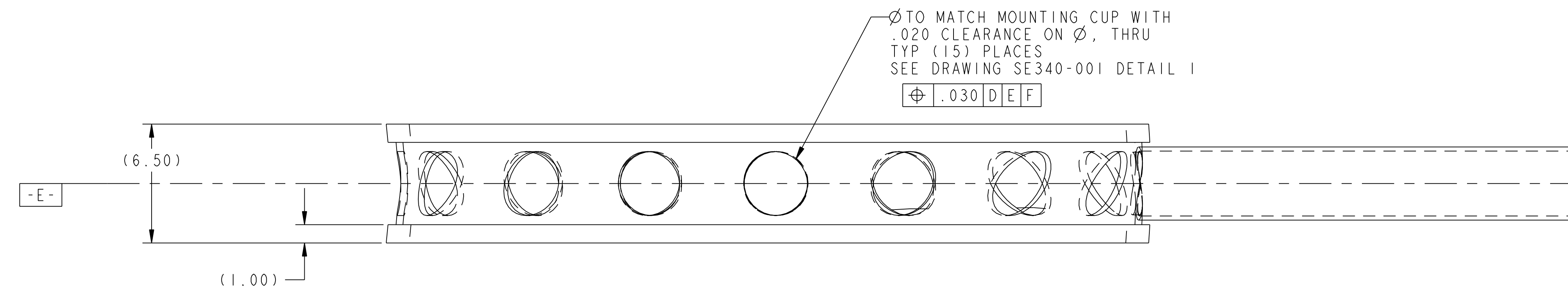


NO.	REVISION	BY	CH	SUP	APPROVED	DATE



RELEASE LEVEL: WIP  
 DWG VERSION NO: 8

WEIGHT  
 171.1 lbs  
 MODEL NAME  
 SE340-002  
 WELDING  
 ENGINEER

SE121-014	V.V. SPACER WELDMENT	SEE DWG	1
<b>PART NO.</b>	<b>DRAWING NO.</b>	<b>INVENTOR OR DESCRIPTION</b>	<b>DATE</b>
<b>PARTS LIST</b>			
COMPUTER GENERATED DRAWING MANUAL CHANGES NOT PERMITTED Pro E	CENTRAL FILES: UNLESS OTHERWISE SPECIFIED	PRINCETON PLASMA PHYSICS LABORATORY PRINCETON UNIVERSITY	
DO NOT VERIFY INFORMATION BY SCALING DRAWING	DIMENSIONS ARE IN INCHES MACHINE SURFACES BREAK SHARP EDGES .005/.020	<b>NATIONAL COMPACT STELLARATOR EXPERIMENT</b>	
NEXT ASSEMBLY	TOLERANCES NON-CUMULATIVE DECIMAL-INCH FRACTIONS .X ±.000 0°-15° ±.000 .XX ±.030 12°-12° ±.010 .XXX ±.005 72°-120° ±.010 ANGULAR ±.0°-15° OVER 120° ±.010	DSN: L. MORRIS CHK: M. COLE ENGR: T. BROWN SUPV: J. SIEGEL	2/24/06 2/24/06 2/24/06 2/24/06
		DRAWING NO: <b>SE340-002</b>	SHEET 1 OF 1 REV 0

NCSX-SE340-002