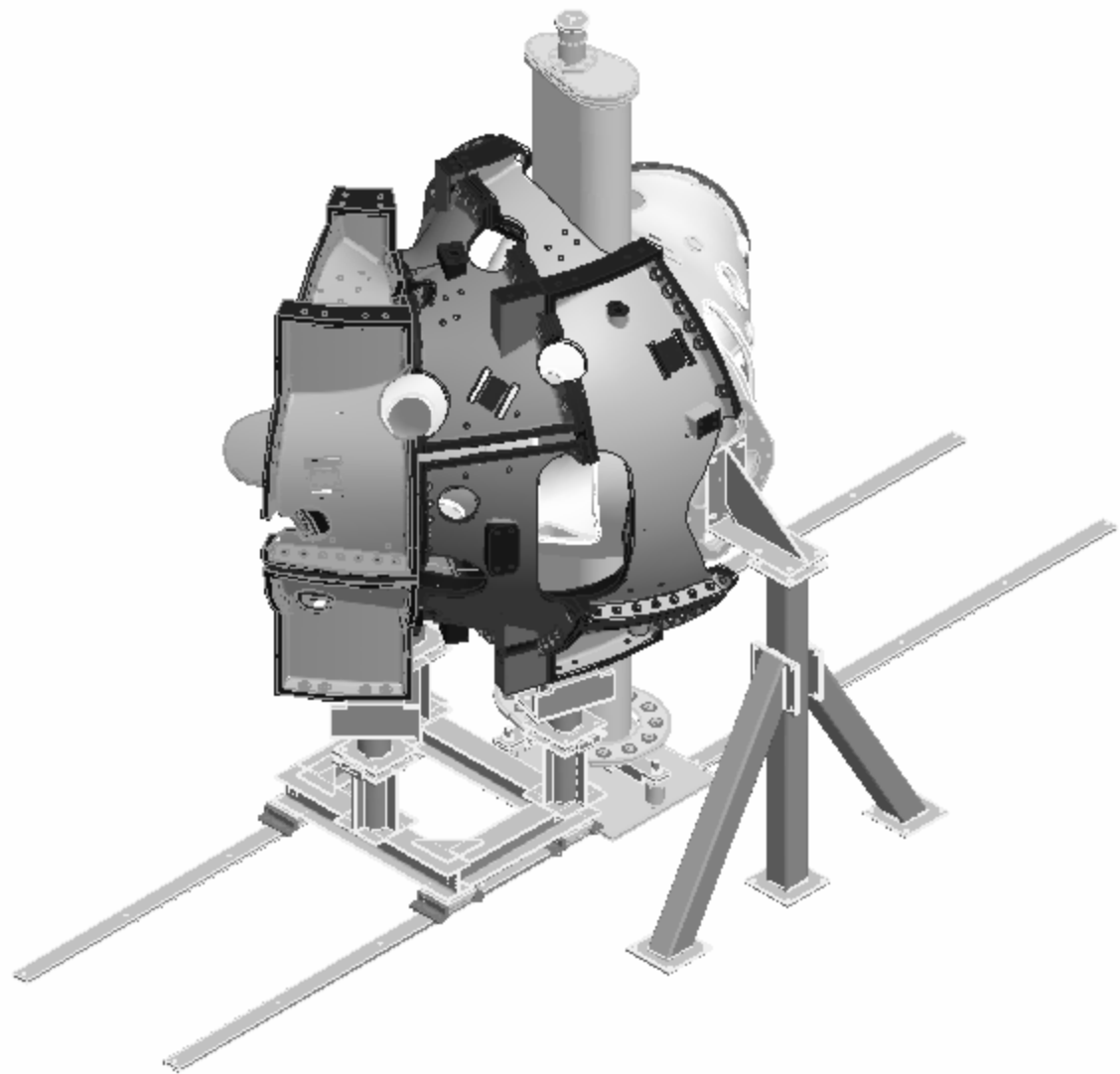
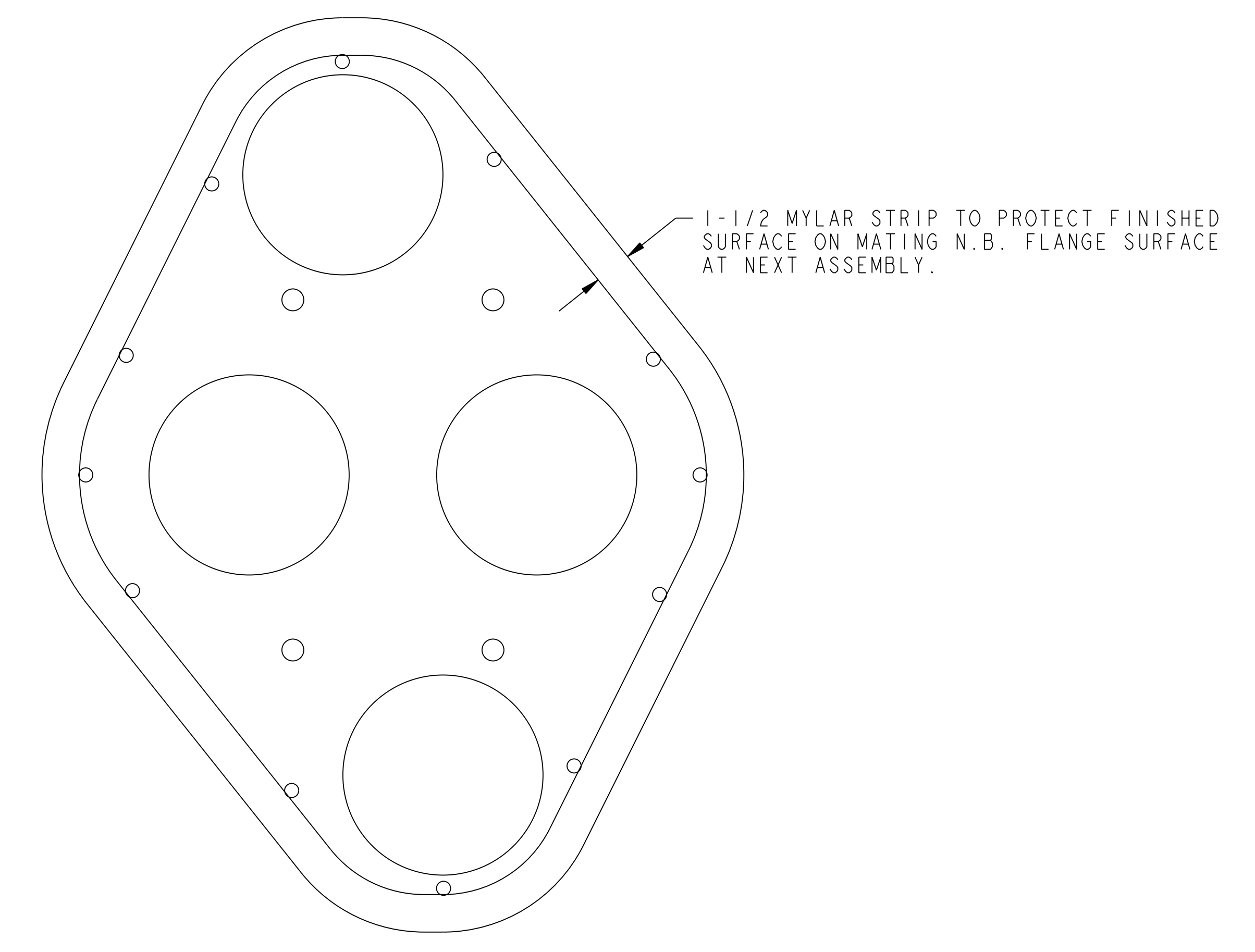
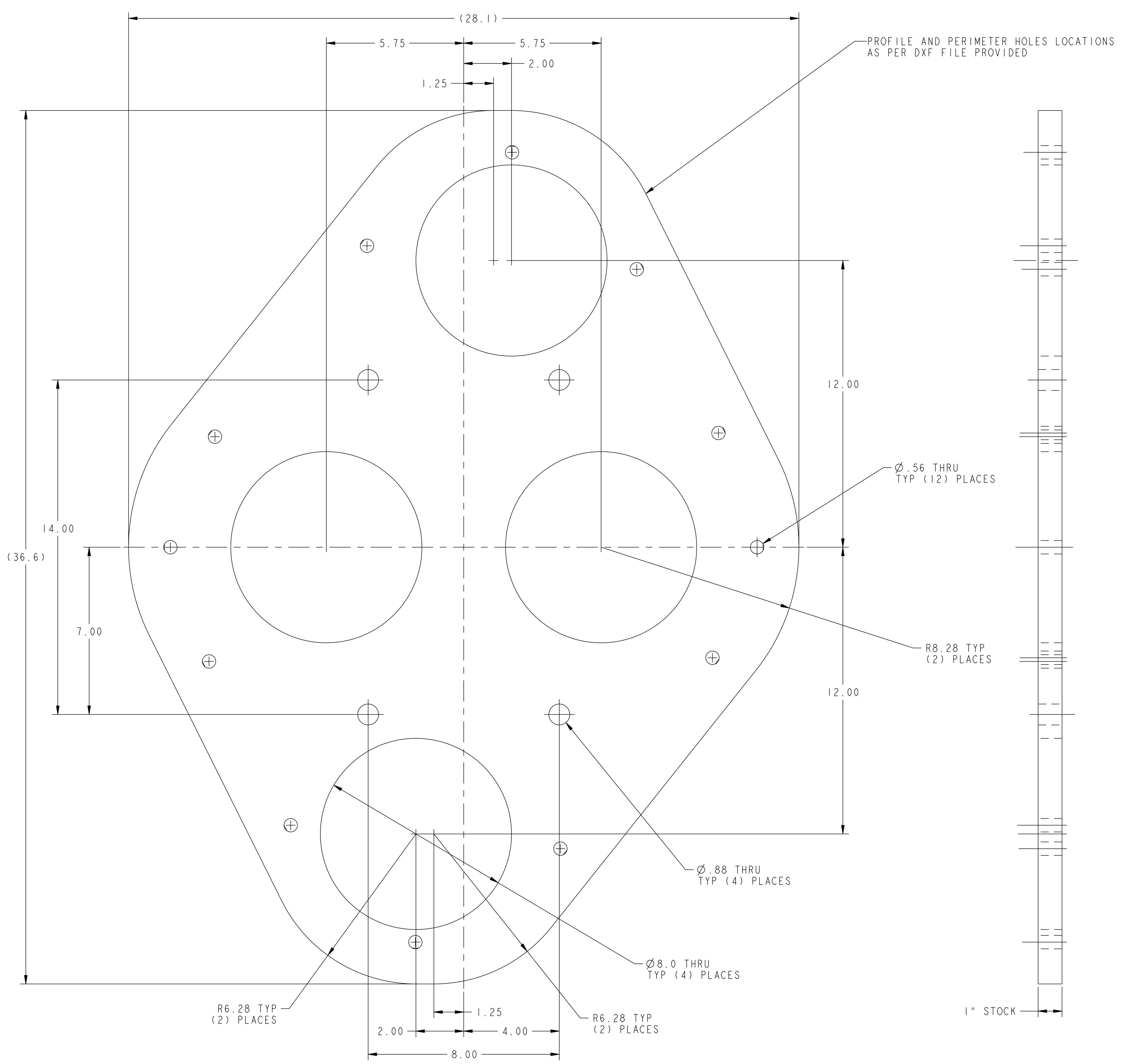


NBI Port Temporary Cover  
Plate (see sheet 3)



NO.	REVISION	BY	CH	SUP	APPROVED	DATE



BACK VIEW  
SCALE 0.250

SE184-054	NB PORT TEMPORARY COVER	ASTM A36	
<b>PART NO.</b>	<b>DRAWING NO</b>	<b>NOMENCLATURE OR DESCRIPTION</b>	<b>MATERIAL QTY REOD</b>
PARTS LIST			
COMPUTER GENERATED DRAWING MANUAL CHANGES NOT PERMITTED Pro E	CENTRAL FILES: UNLESS OTHERWISE SPECIFIED	PRINCETON PLASMA PHYSICS LABORATORY PRINCETON UNIVERSITY <b>NATIONAL COMPACT STELLARATOR EXPERIMENT</b>	
DO NOT VERIFY INFORMATION BY SCALING DRAWING	DIMENSIONS ARE IN INCHES MACHINE SURFACES BREAK SHARP EDGES .005/.020	EXTERNAL FLUX LOOPS VACUUM VESSEL VERTICAL SUPPORT STAND N.B. PORT TEMPORARY COVER	
TOLERANCES NON-CUMULATIVE	DSN: L. MORRIS	3-02-06	DRAWING NO:
DECIMAL-INCH FRACTIONS	CHK:	<b>SE184-054</b>	
NEXT ASSEMBLY	ENGR: T. BROWN	3-02-06	
WELDING ENGINEER	SUPV:		SHEET 1 OF 1 REV B, 04

RELEASE LEVEL: WIP  
DWG VERSION NO: 2

NCSX-SE184-054