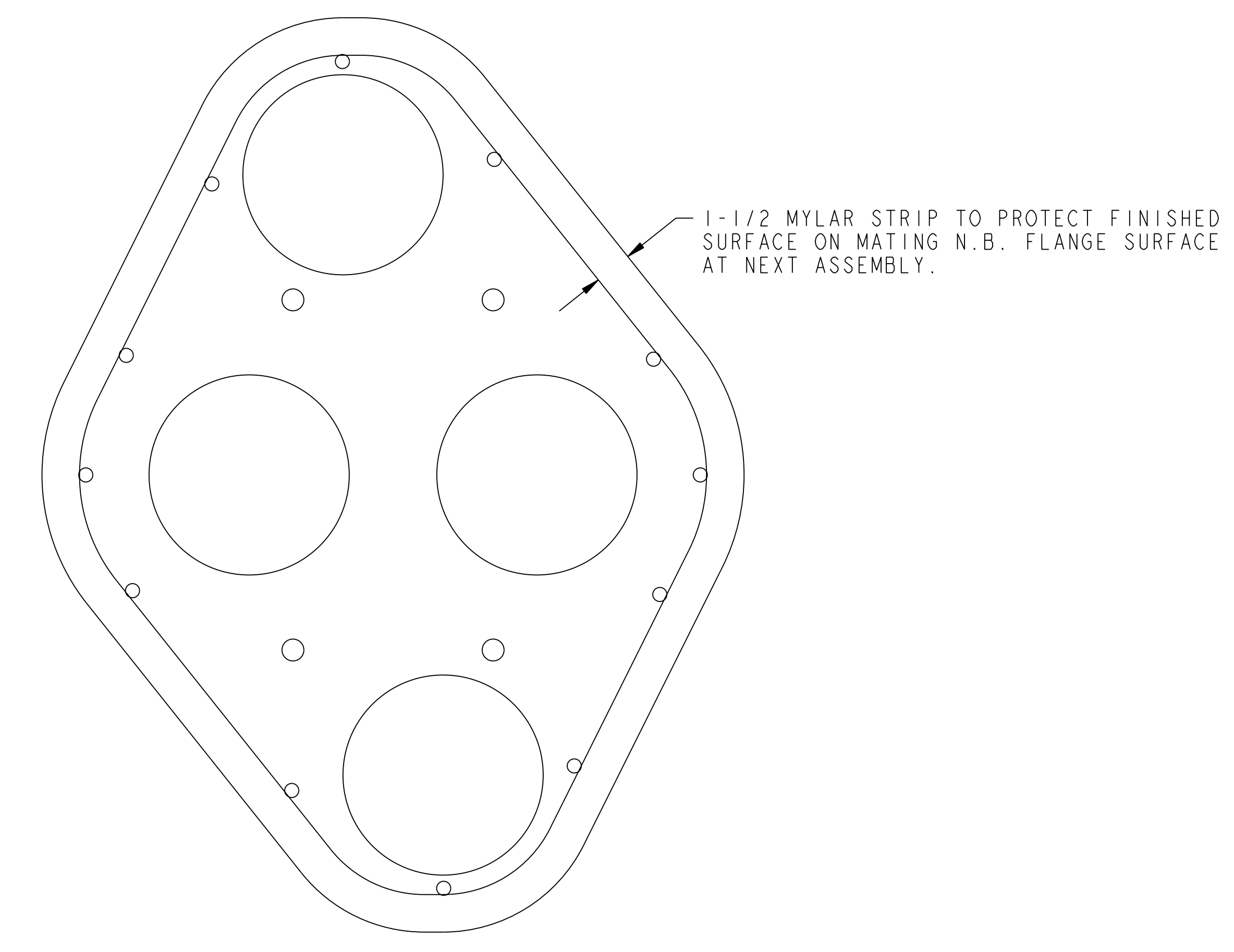
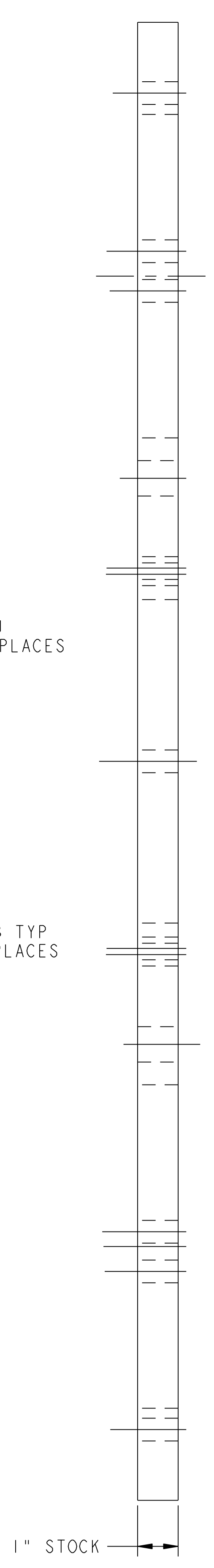
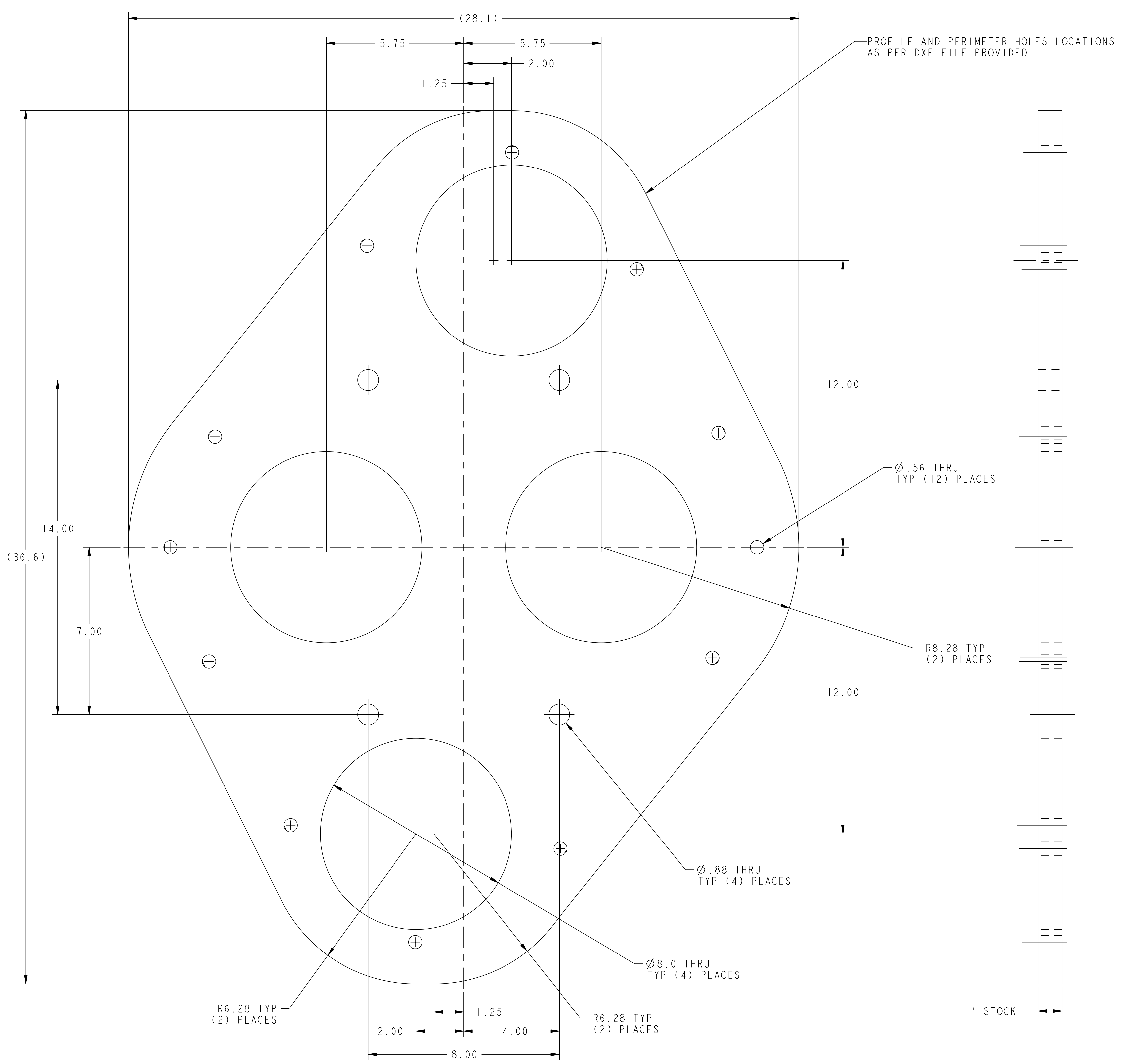


NO.	REVISION	BY	CH	SUP	APPROVED	DATE



BACK VIEW
SCALE 0.250

SE184-054	NB PORT TEMPORARY COVER	ASTM A36	
PART NO.	DRAWING NO	NOMENCLATURE OR DESCRIPTION	MATERIAL QTY REOD
PARTS LIST			
COMPUTER GENERATED DRAWING MANUAL CHANGES NOT PERMITTED Pro E	CENTRAL FILES: UNLESS OTHERWISE SPECIFIED	PRINCETON PLASMA PHYSICS LABORATORY PRINCETON UNIVERSITY NATIONAL COMPACT STELLARATOR EXPERIMENT	
DO NOT VERIFY INFORMATION BY SCALING DRAWING	DIMENSIONS ARE IN INCHES MACHINE SURFACES BREAK SHARP EDGES .005/.020	EXTERNAL FLUX LOOPS VACUUM VESSEL VERTICAL SUPPORT STAND N.B. PORT TEMPORARY COVER	
WEIGHT 135.7 lbs	TOLERANCES NON-CUMULATIVE	DSN: L. MORRIS	3-02-06 DRAWING NO:
MODEL NAME SE184-054	DECIMAL-INCH FRACTIONS	CHK:	SE184-054
RELEASE LEVEL: WIP DWG VERSION NO: 2	NEXT ASSEMBLY	ENGR: T. BROWN	3-02-06
WELDING ENGINEER		SUPV:	SHEET 1 OF 1 REV B, 04

NCSX-SE184-054