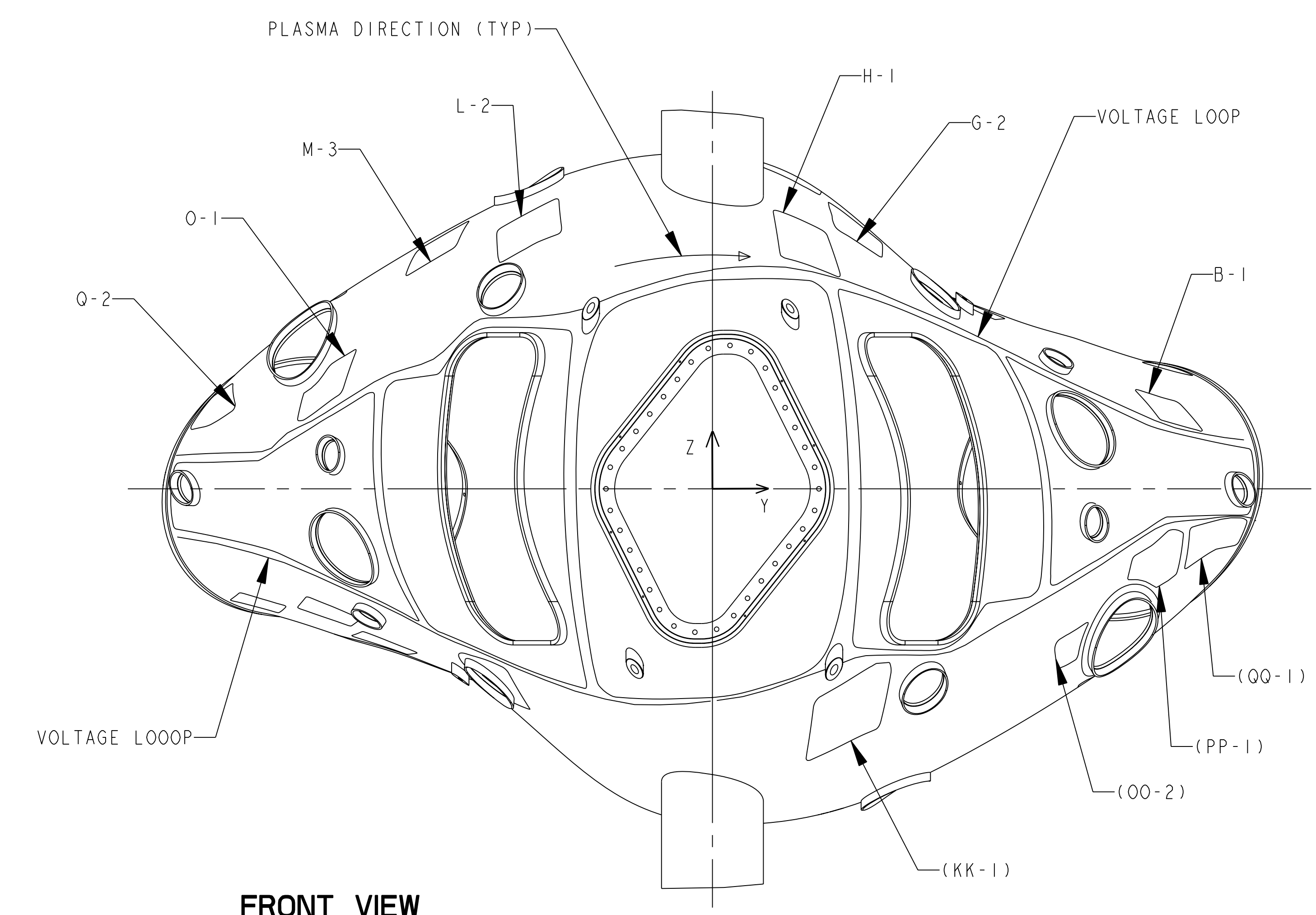
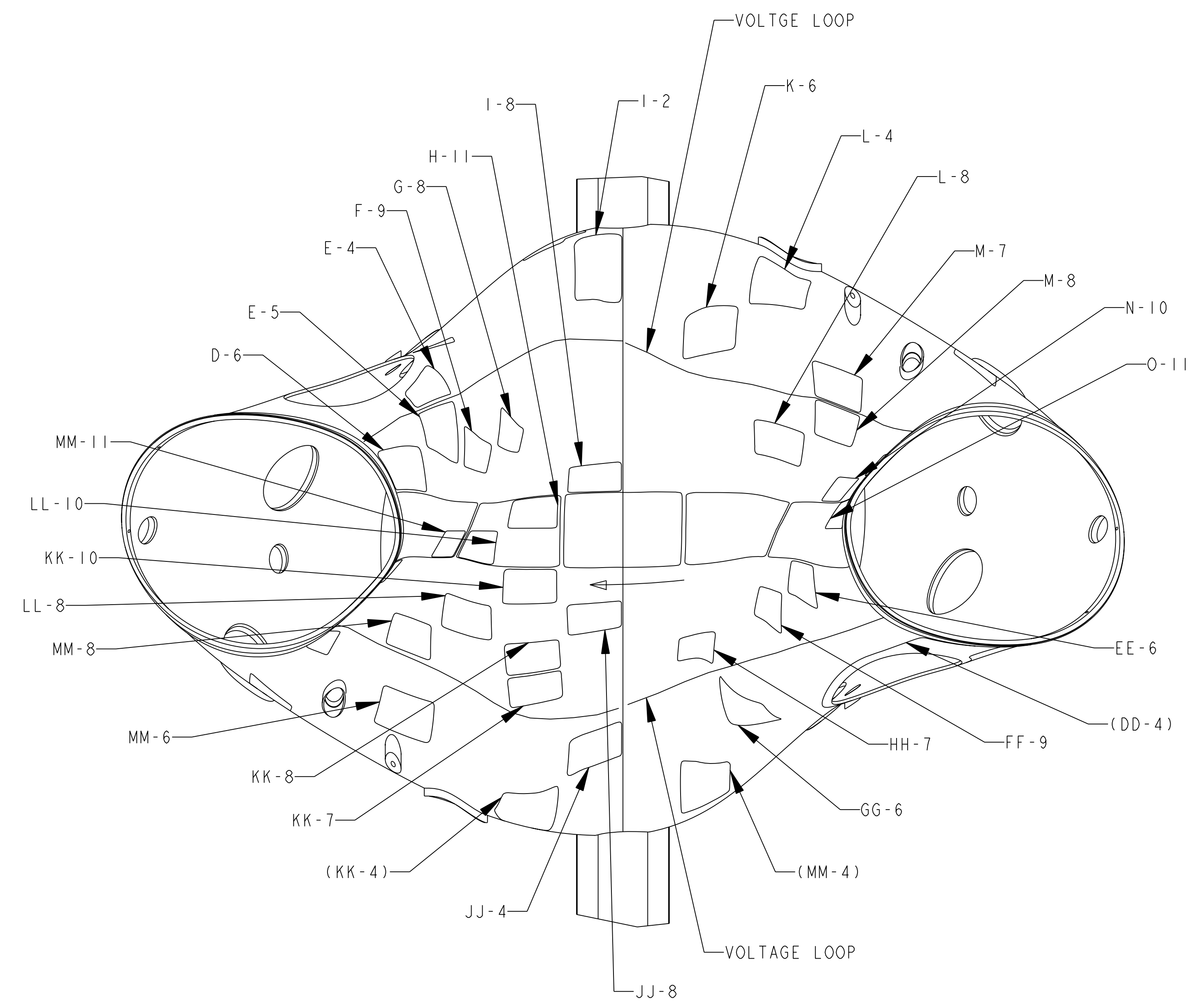


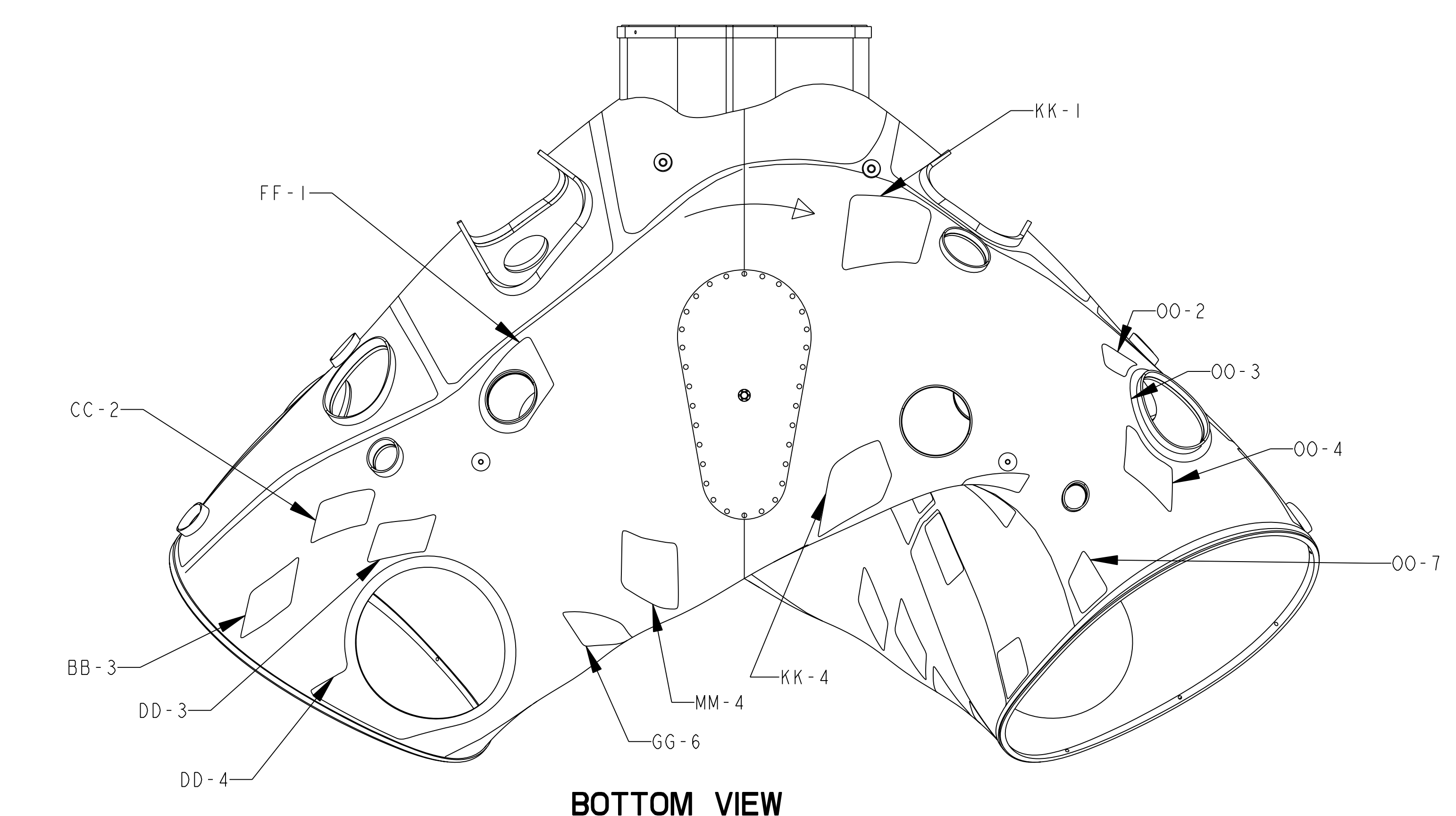
TOP VIEW



FRONT VIEW



BACK VIEW



BOTTOM VIEW

NOTES:

1. DIMENSIONS ARE IN INCHES
2. FABRICATION, INSPECTION AND TESTING SHALL BE PERFORMED IN ACCORDANCE WITH SPECIFICATION NCSX-CSPEC-31-01-00
3. SEE DRAWING SE310-030-1 FOR FINAL THETA-PHI PLOT AND EXTERNAL FLUX LOOPS TWISTED LEAD ROUTING
4. THE LARGE MIDPLANE LOOP DETAILS CAN BE FOUND IN SE310-030-1
5. LOOP DATA POINTS ARE CONTAINED IN se310-030-3_pts.igs. LOOP POINTS AND CURVES ARE CONTAINED IN DATA FILE se310-030-3_asm.igs

3	SE310-030-3	VV PERIOD 3 LOOP DETAILS	SEE NOTES	1
2	SE120-002	VACUUM VESSEL PERIOD ASSY	--	1
1	SE310-029	BASIC GEOMETRY FOR ALL LOOPS ON VV	--	1
PART NO.	DRAWING NO	NOMENCLATURE OR DESCRIPTION	MATERIAL	QTY REOD
PARTS LIST				
COMPUTER GENERATED DRAWING MANUAL CHANGES NOT PERMITTED	CENTRAL FILES: UNLESS OTHERWISE SPECIFIED	PRINCETON PLASMA PHYSICS LABORATORY PRINCETON UNIVERSITY NATIONAL COMPACT STELLARATOR EXPERIMENT		
DO NOT VERIFY INFORMATION BY SCALING DRAWING	BREAK SHARP EDGES .005/.020	VVS3 MAGNETIC LOOP ARRANGEMENT DRAWING		
WEIGHT	MODEL NAME SE310-030-3	TOLERANCES NON-CUMULATIVE	DSN: T. BROWN	1/8/07
WELDING ENGINEER	RELEASE LEVEL: WIP DWG VERSION NO: 2	DECIMAL-INCH FRACTIONS	CHK: M. COLE	1/8/07
		.XX +/- .000 0°-120° +/- 15.0	ENGR: G. LABIK	1/8/07
		.XXX +/- .005 120°-120° +/- 15.0	SUPV: J. SIEGEL	1/8/07
		ANGULAR +/- 0°-15° OVER 120° +/- 15.0		
			DRAWING NO:	SE310-030-3
			SHEET 1 OF 1	REV