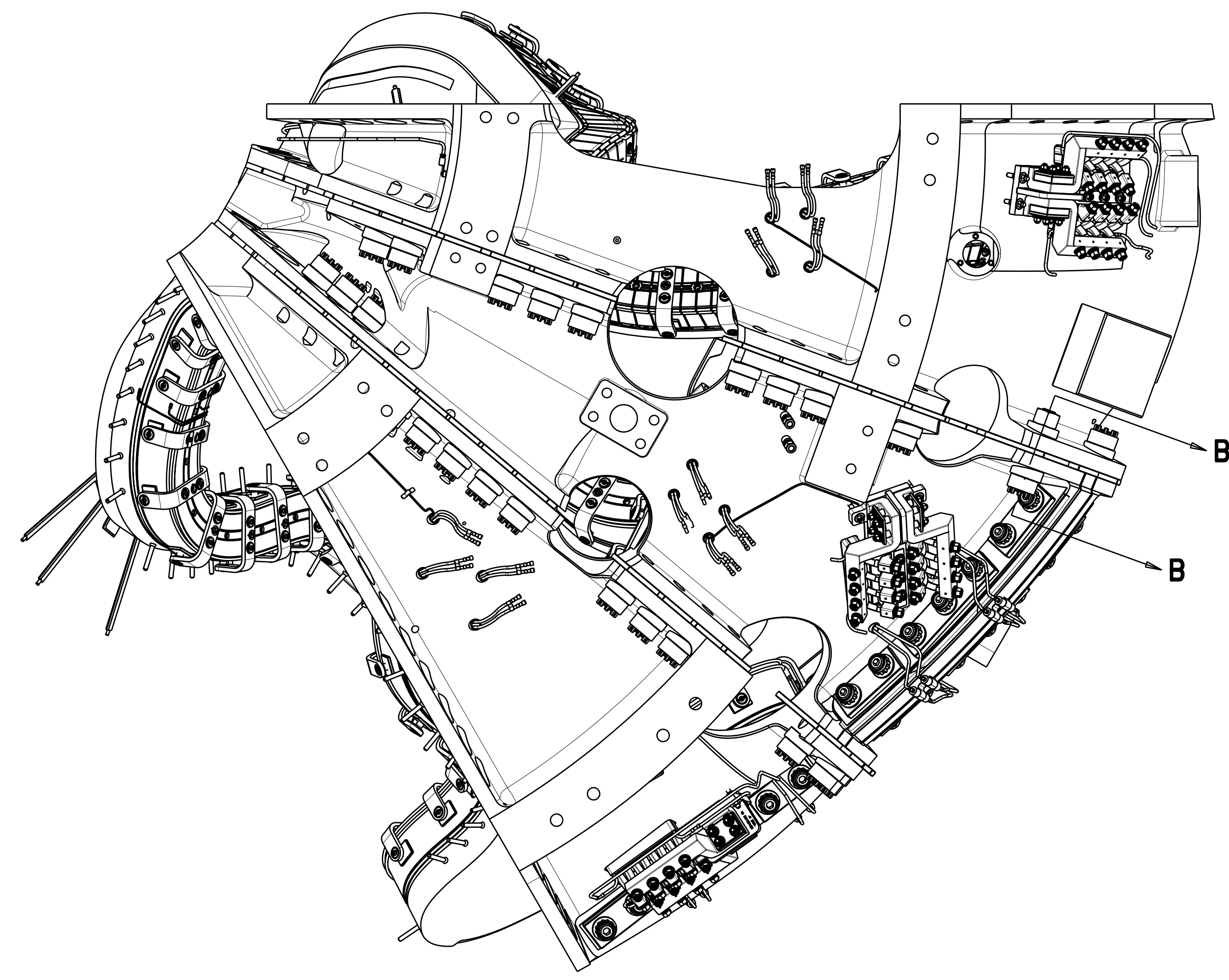


TOP VIEW
SCALE 0.125

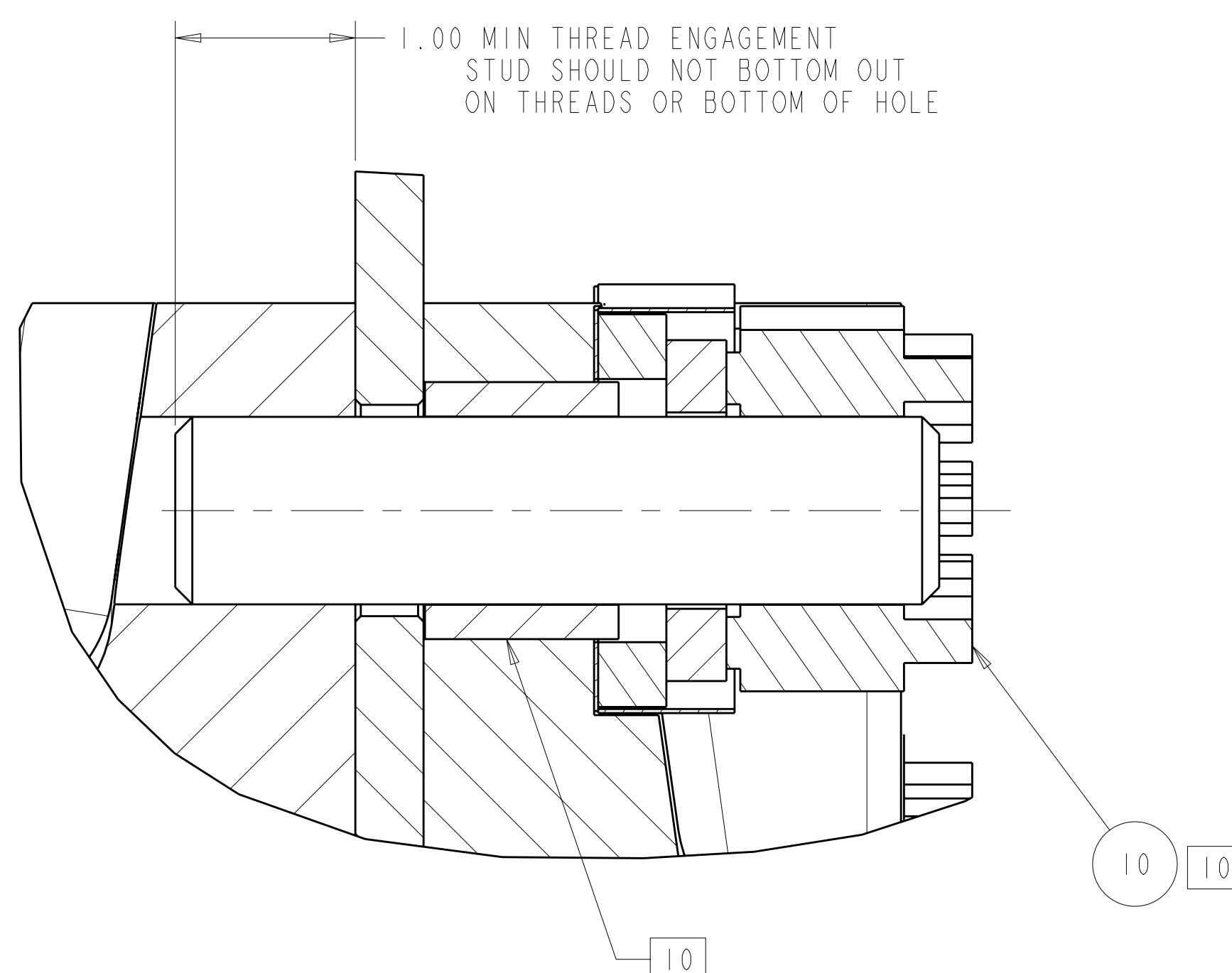


BOTTOM VIEW
SCALE 0.125

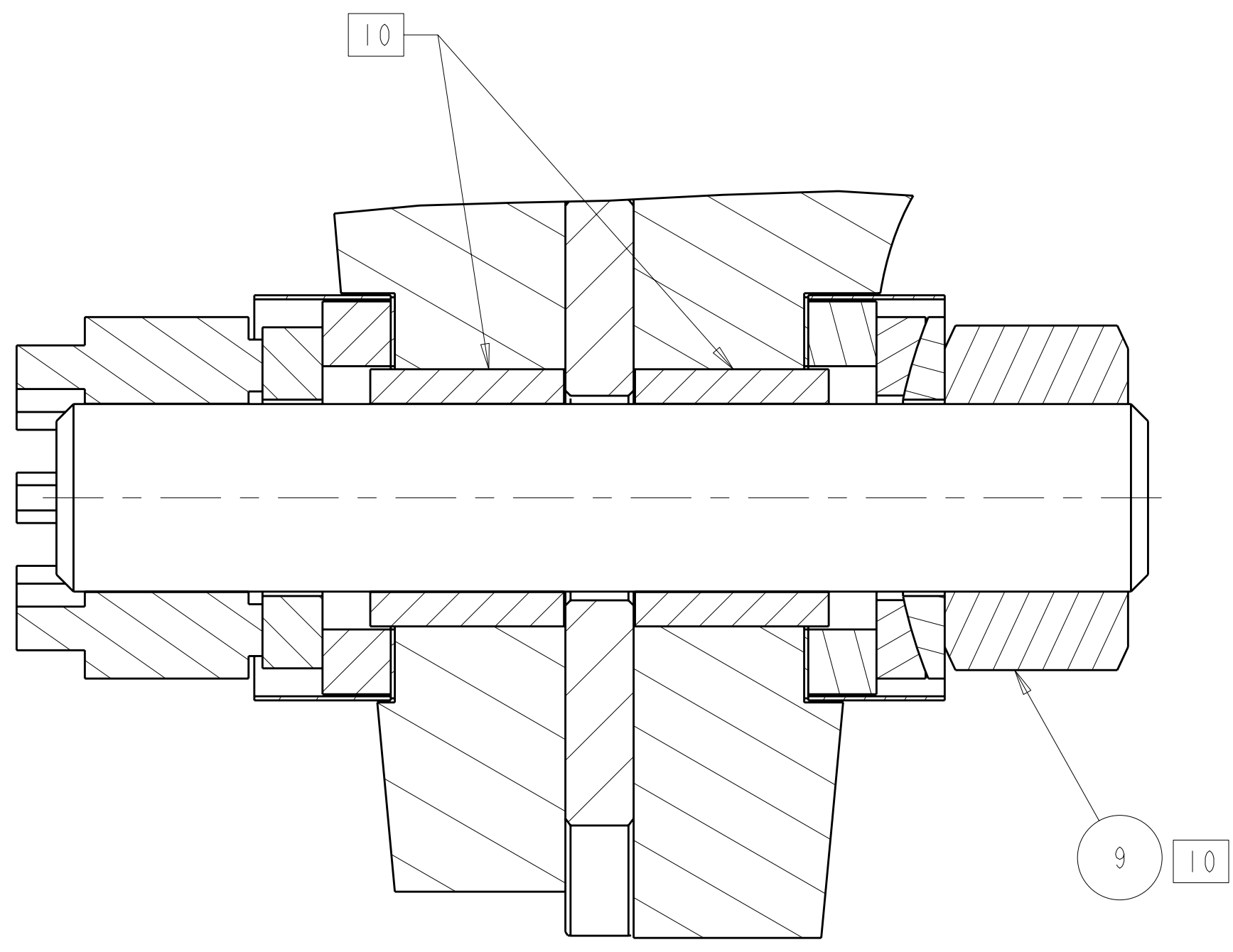
1 MCWF HALF PERIOD ASSY
SCALE NOTED

- NOTES:
- DRAWING PREPARED IN ACCORDANCE WITH ASME Y14.8M-1996.
 - INTERPRET DIMENSIONS AND TOLERANCES PER ANSI Y14.5M-1994.
 - DIMENSIONS ARE IN INCHES.
 - DRAWING DEPICTS FINAL MACHINED STATE OF ASSEMBLY DEFINED BY PRO/ENGINEER FILE SE140-103.ASM.
 - UNLESS OTHERWISE SPECIFIED, DIMENSIONS ARE RELATED TO DATUM A- (PRIMARY X-Y PLANE, TOP) DATUM B- (SECONDARY Y-Z PLANE, SIDE) DATUM C- (TERTIARY X-Z PLANE, FRONT)
 - DIMENSIONS APPLY AT TEMPERATURE OF 20-30°C (68-86°F).
 - DIMENSIONS AND TOLERANCES EXCLUDE PROCESS MATERIAL ALLOWANCES WHICH MAY ADD MASS.
 - APPROXIMATE WEIGHT = 24,265 LBS
 - SEE LATEST REVISION OF SPECIFICATION NCSX-CSPEC-141-03 FOR ADDITIONAL REQUIREMENTS.
 - MACHINE BUSHING OD AFTER MATCHING ALIGNMENT WITH CORRESPONDING HOLE ON MATING FLANGE. SEE DRAWING SE140-190 FOR ADDITIONAL INFORMATION ON BOLT KITS
 - SHIMS TO BE CUSTOM FIT PRIOR TO INSTALLATION. SEE DWG SE140-046 FOR WELDING AND OTHER INFORMATION.
 - LOCATE WING BLADDERS, F/N 5, APPROX AS SHOWN AND SECURE WITH ADHESIVE, F/N 11, FOLLOWING MANUFACTURERS' DIRECTIONS.

PRELIMINARY
8-23-2007



SECTION A-A -TYP TAPPED STUD KIT
SCALE 1.00



SECTION B-B -TYP THRU STUD KIT
SCALE 1.00

REV	DESCRIPTION	BY	DATE	CHK	DEPT	DATE	PE	REQ	DATE	ORNL	DOE	DATE	SCALE	DESIGNER	DATE	DRW	DATE	CHK	DATE	SECT	DEPT	PLANT	BLDG	FL	SHT	OF	TYPE	CLASS	
0	ORIGINAL ISSUE	GM	08/01	MC		08/01																							
1																													
2																													
3																													
4																													
5																													
6																													
7																													
8																													

REV	DESCRIPTION	BY	DATE	CHK	DEPT	DATE	PE	REQ	DATE	ORNL	DOE	DATE	SCALE	DESIGNER	DATE	DRW	DATE	CHK	DATE	SECT	DEPT	PLANT	BLDG	FL	SHT	OF	TYPE	CLASS	
0	ORIGINAL ISSUE	GM	08/01	MC		08/01																							
1																													
2																													
3																													
4																													
5																													
6																													
7																													
8																													

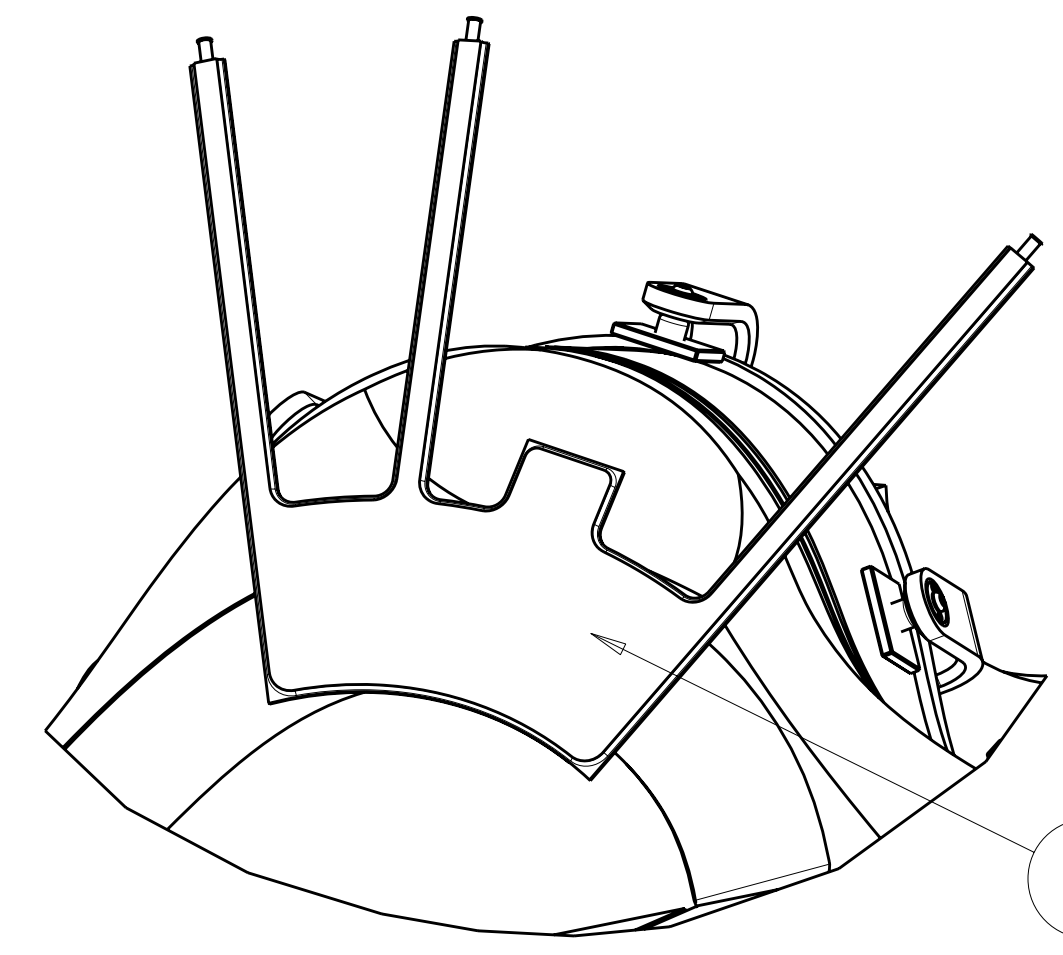
REV	DESCRIPTION	BY	DATE	CHK	DEPT	DATE	PE	REQ	DATE	ORNL	DOE	DATE	SCALE	DESIGNER	DATE	DRW	DATE	CHK	DATE	SECT	DEPT	PLANT	BLDG	FL	SHT	OF	TYPE	CLASS	
0	ORIGINAL ISSUE	GM	08/01	MC		08/01																							
1																													
2																													
3																													
4																													
5																													
6																													
7																													
8																													

REV	DESCRIPTION	BY	DATE	CHK	DEPT	DATE	PE	REQ	DATE	ORNL	DOE	DATE	SCALE	DESIGNER	DATE	DRW	DATE	CHK	DATE	SECT	DEPT	PLANT	BLDG	FL	SHT	OF	TYPE	CLASS	
0	ORIGINAL ISSUE	GM	08/01	MC		08/01																							
1																													
2																													
3																													
4																													
5																													
6																													
7																													
8																													

REV	DESCRIPTION	BY	DATE	CHK	DEPT	DATE	PE	REQ	DATE	ORNL	DOE	DATE	SCALE	DESIGNER	DATE	DRW	DATE	CHK	DATE	SECT	DEPT	PLANT	BLDG	FL	SHT	OF	TYPE	CLASS	
0	ORIGINAL ISSUE	GM	08/01	MC		08/01																							
1																													
2																													
3																													
4																													
5																													
6																													
7																													
8																													

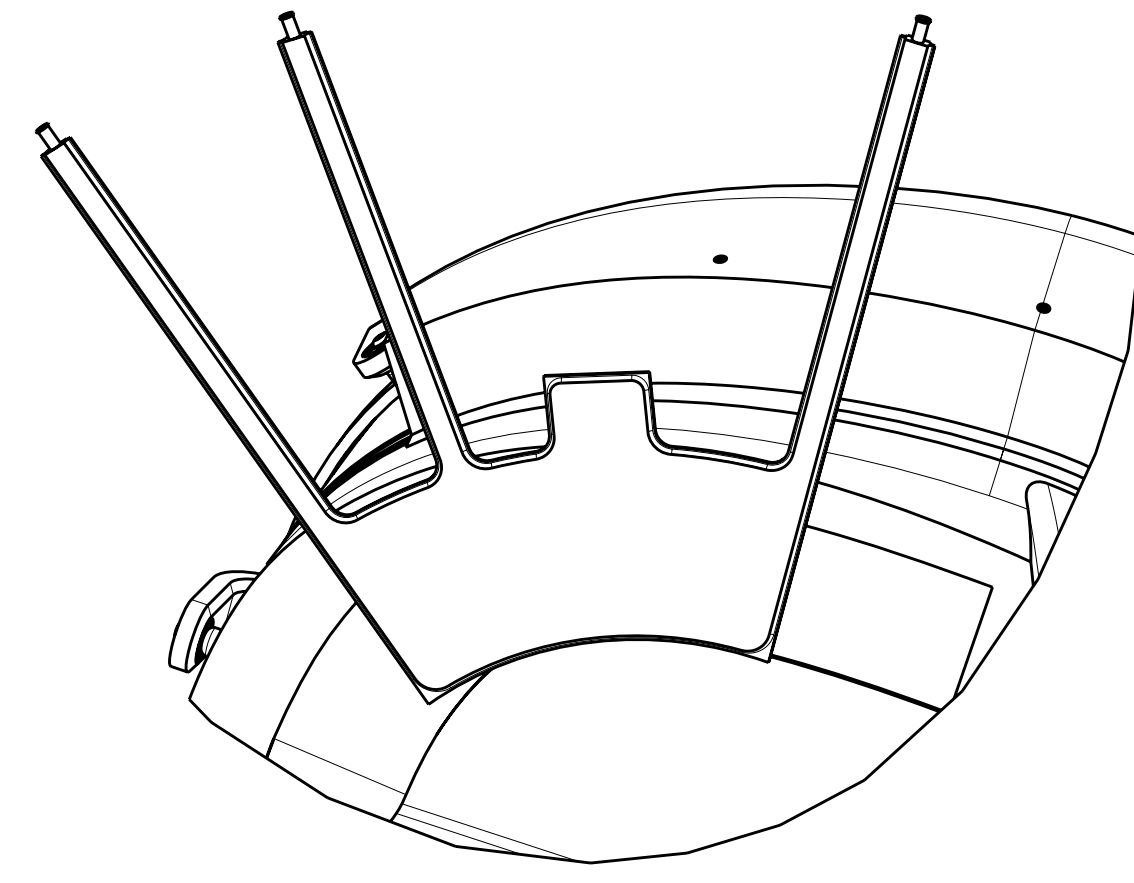
REV	DESCRIPTION	BY	DATE	CHK	DEPT	DATE	PE	REQ	DATE	ORNL	DOE	DATE	SCALE	DESIGNER	DATE	DRW	DATE	CHK	DATE	SECT	DEPT	PLANT	BLDG	FL	SHT	OF	TYPE	CLASS	
0	ORIGINAL ISSUE	GM	08/01	MC		08/01																							
1																													
2																													
3																													
4																													
5																													
6																													
7																													
8																													

REV	DESCRIPTION	BY	DATE	CHK	DEPT	DATE	PE	REQ	DATE	ORNL	DOE	DATE	SCALE	DESIGNER	DATE	DRW	DATE	CHK	DATE	SECT	DEPT	PLANT	BLDG	FL	SHT	OF	TYPE	CLASS	
0	ORIGINAL ISSUE	GM	08/01	MC		08/01																							
1																													
2																													
3																													
4																													
5																													

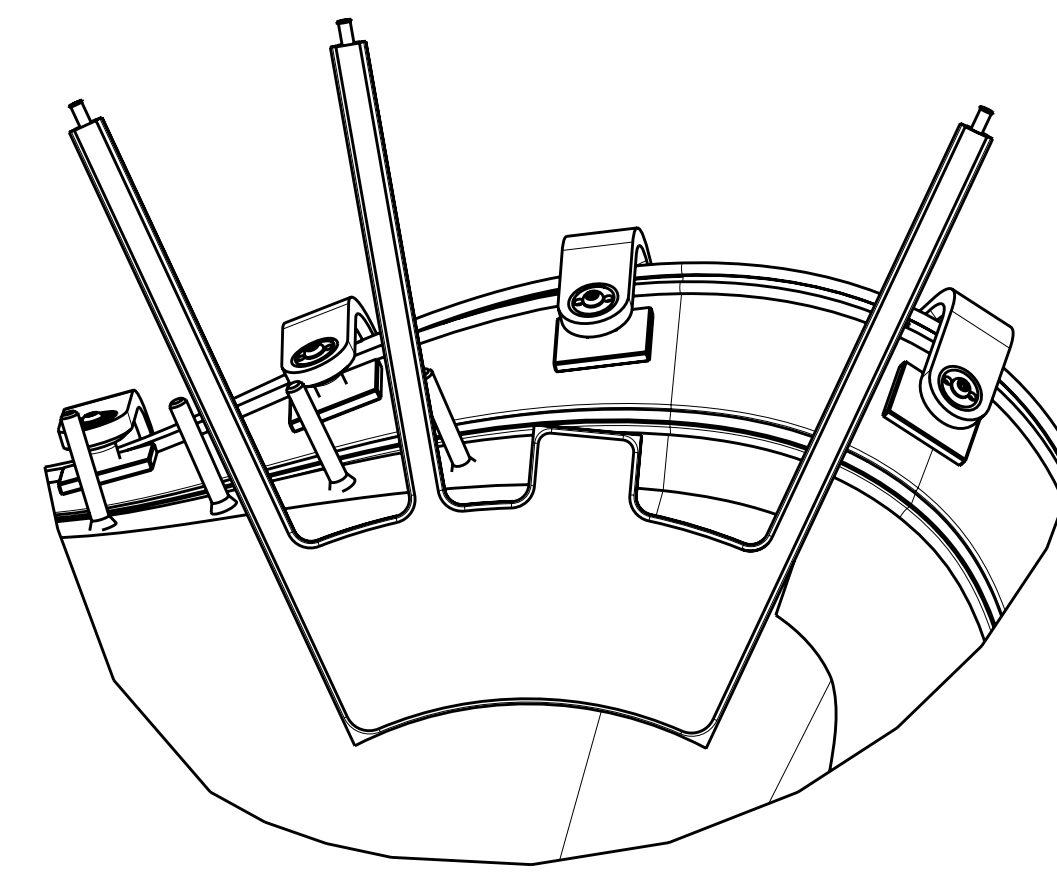


5 REF TYP

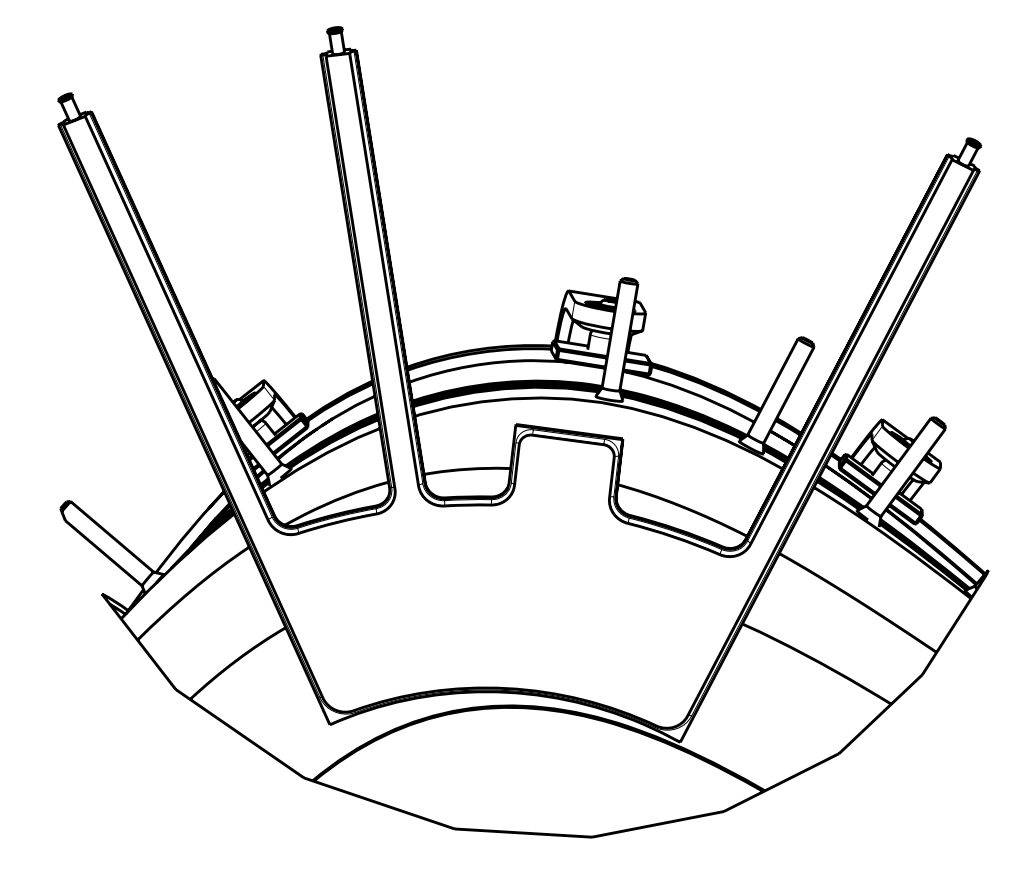
WING BLADDER BETWEEN A AND B COIL - MOUNTED TO A COIL 12
SCALE .25



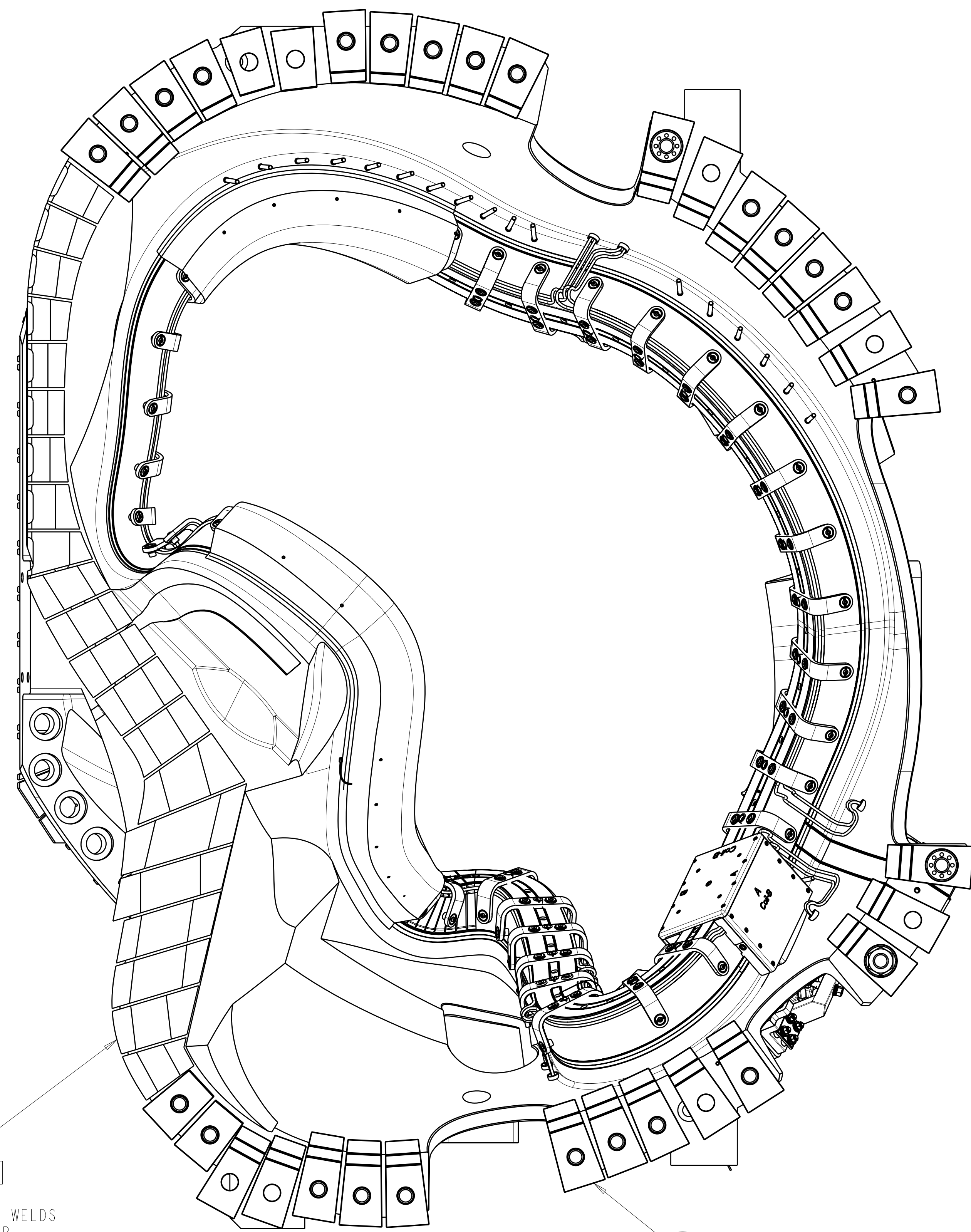
WING BLADDER BETWEEN A AND B COIL - MOUNTED TO B COIL 12
SCALE .25



WING BLADDER BETWEEN B AND C COIL - MOUNTED TO C COIL 12
SCALE .25

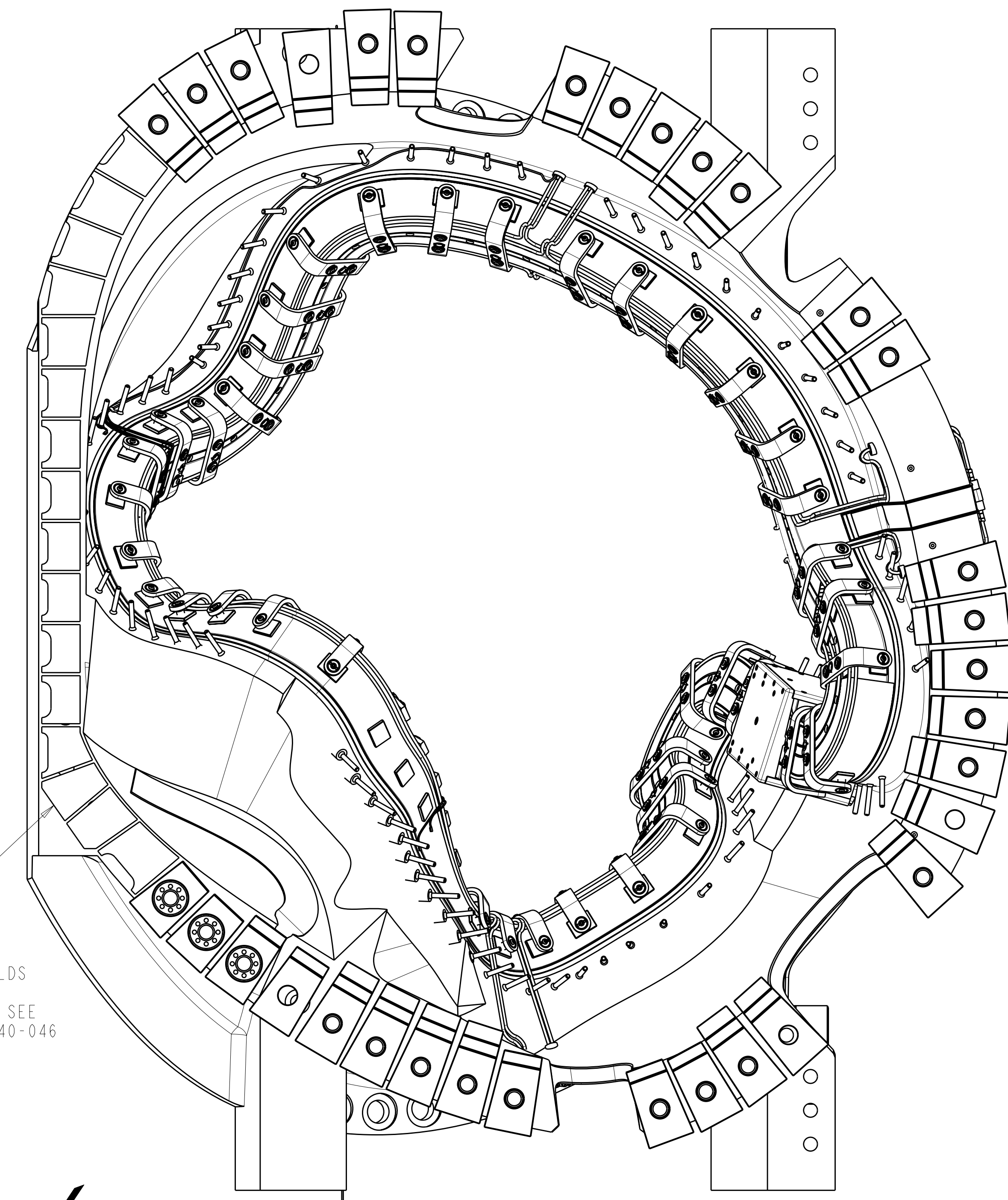


WING BLADDER BETWEEN C AND C COIL - MOUNTED TO C COIL 12
SCALE .25



7 11
FOR SHIM WELDS AND OTHER INFORMATION SEE DRAWING SE140-046

VIEW OF A-B JOINT A COIL REMOVED
SCALE 0.15



8 11
FOR SHIM WELDS AND OTHER INFORMATION SEE DRAWING SE140-046

VIEW OF B-C JOINT B COIL REMOVED
SCALE 0.15

6 11 REF

PRELIMINARY
8-23-2007

Oak Ridge National Laboratory managed for the DEPARTMENT OF ENERGY under U.S. GOVERNMENT contract DE-AC05-00OR22725 UT-BATTELLE, LLC, Oak Ridge, Tennessee PROJECT NAME:									
UT-BATTELLE NATIONAL COMPACT STELLARATOR EXPERIMENT									
MODULAR COILS ASSEMBLY 1/2 FIELD PERIOD									
VERSION NO.	PLANT	BLDG	FL	SHT	OF	TYPE	CLASS		
71+	ORNL	5700	3	2	2	A	U		
RELEASE LEVEL		SE140-003		REV		0			
WIP									