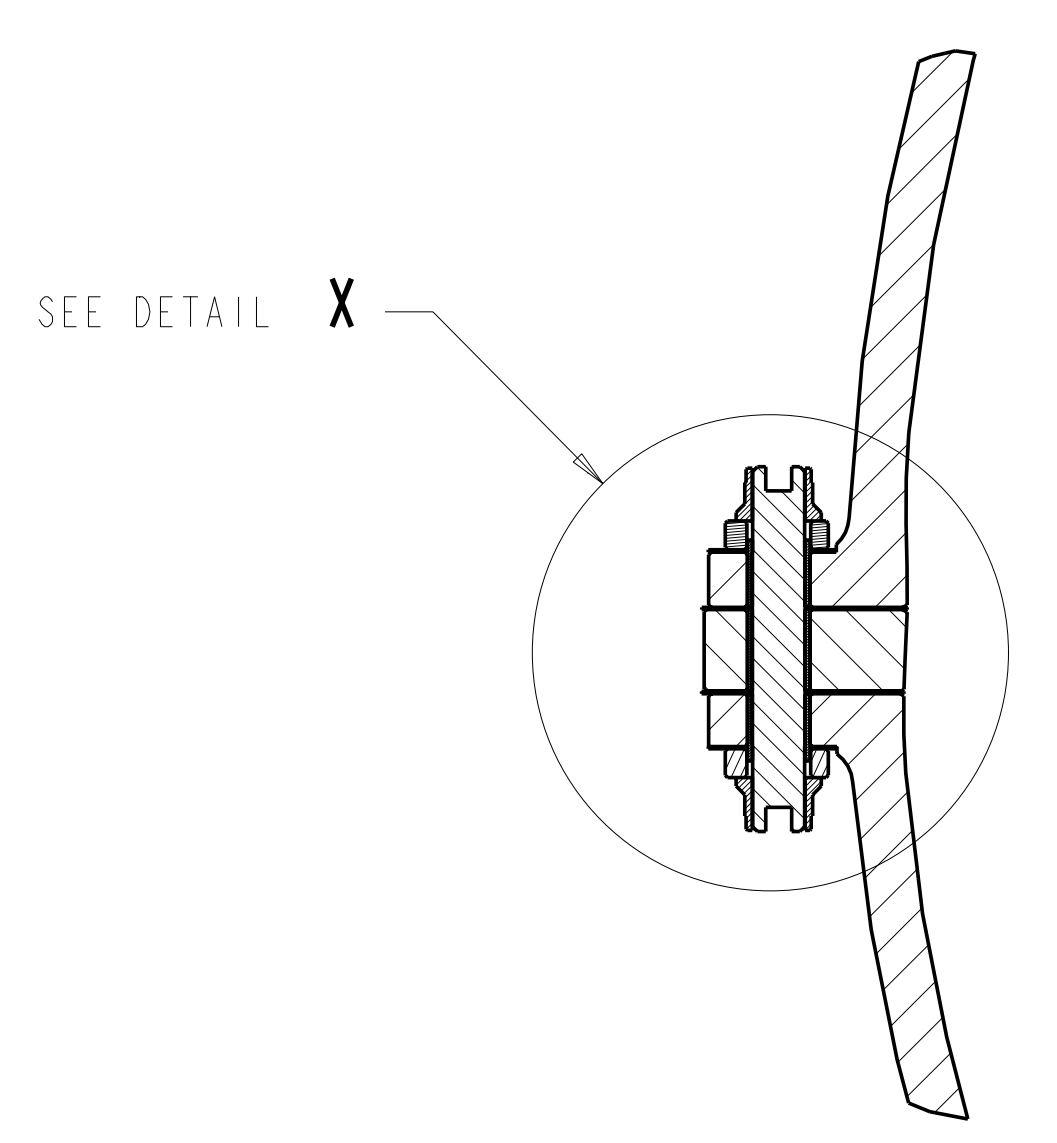
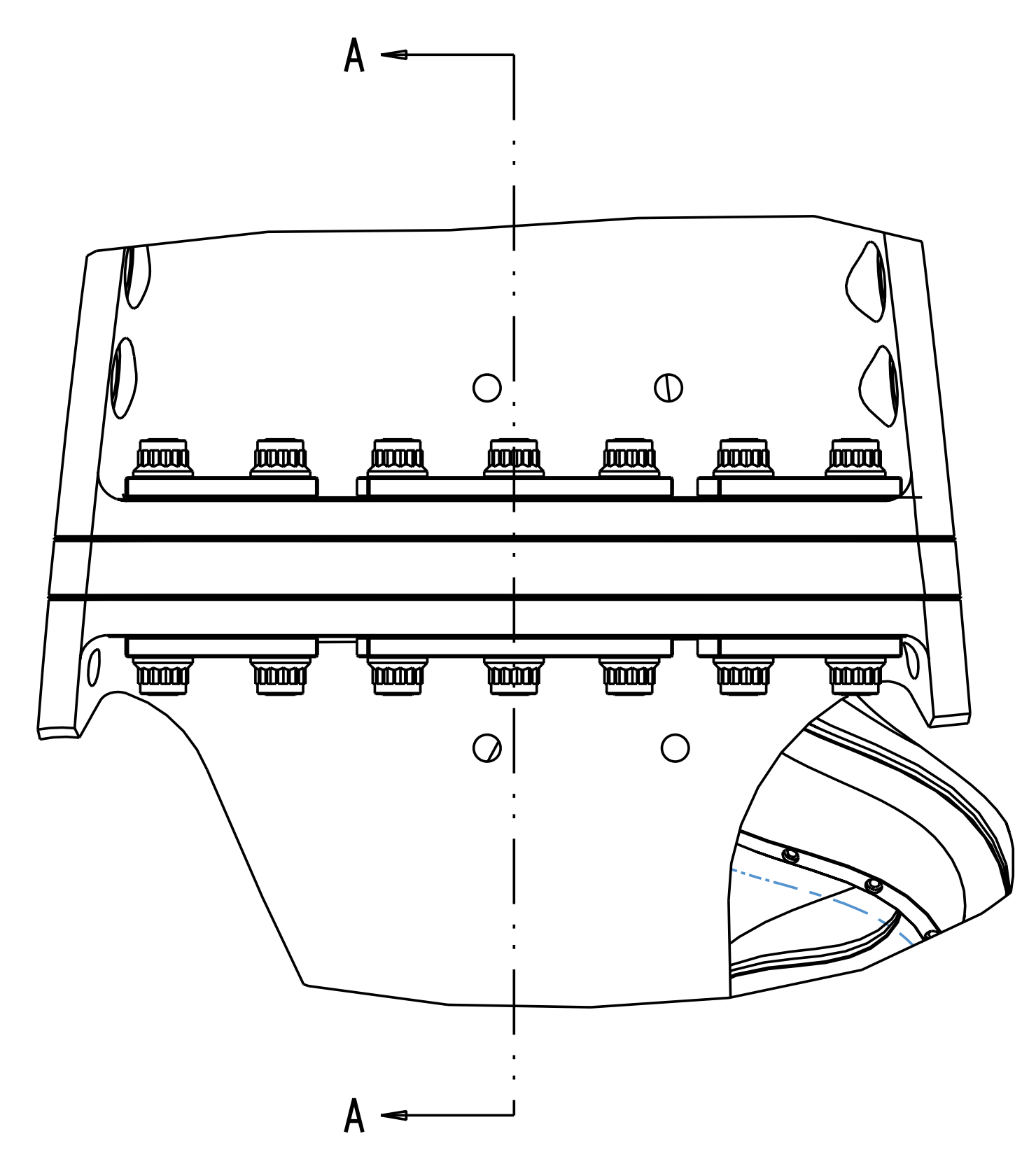
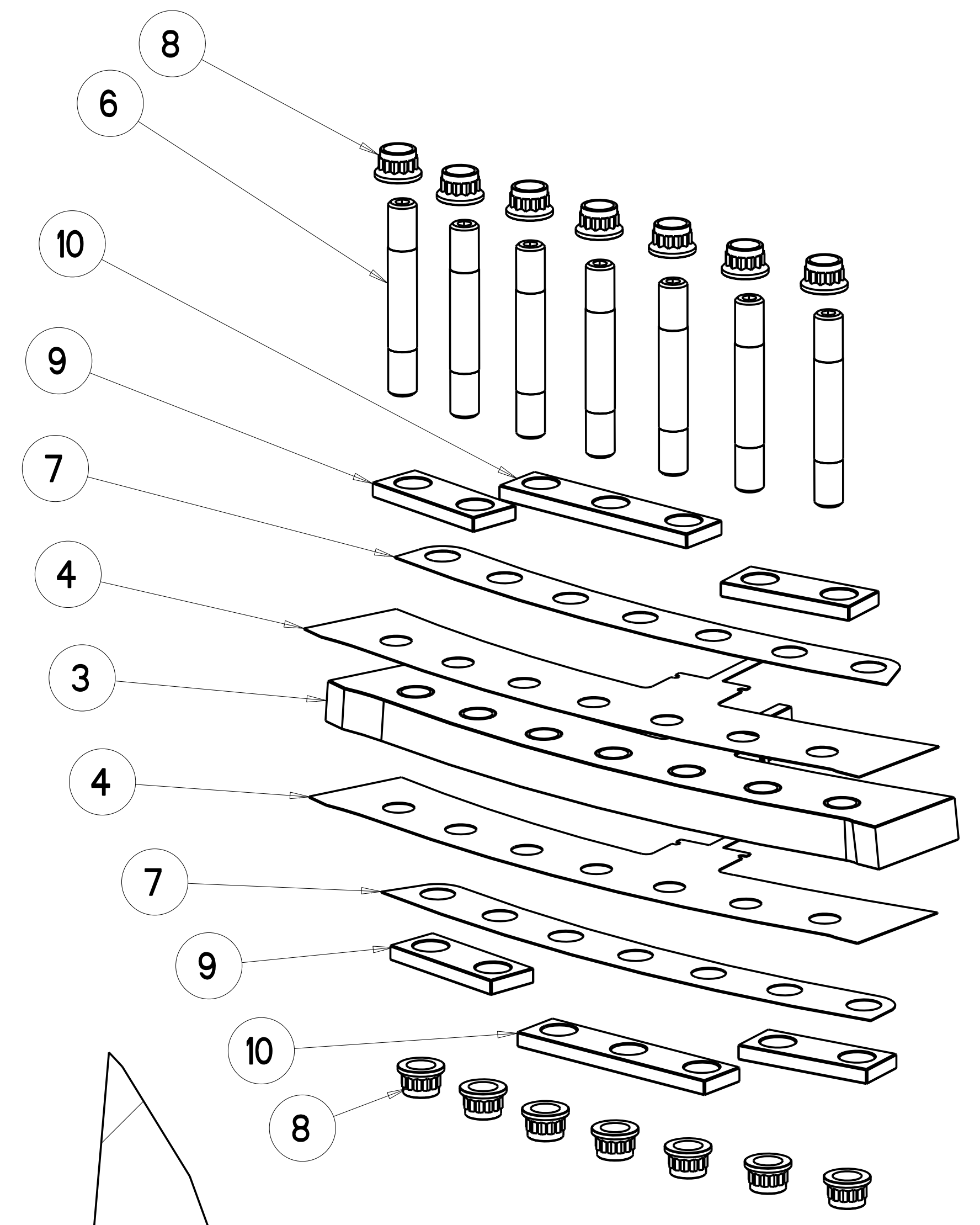


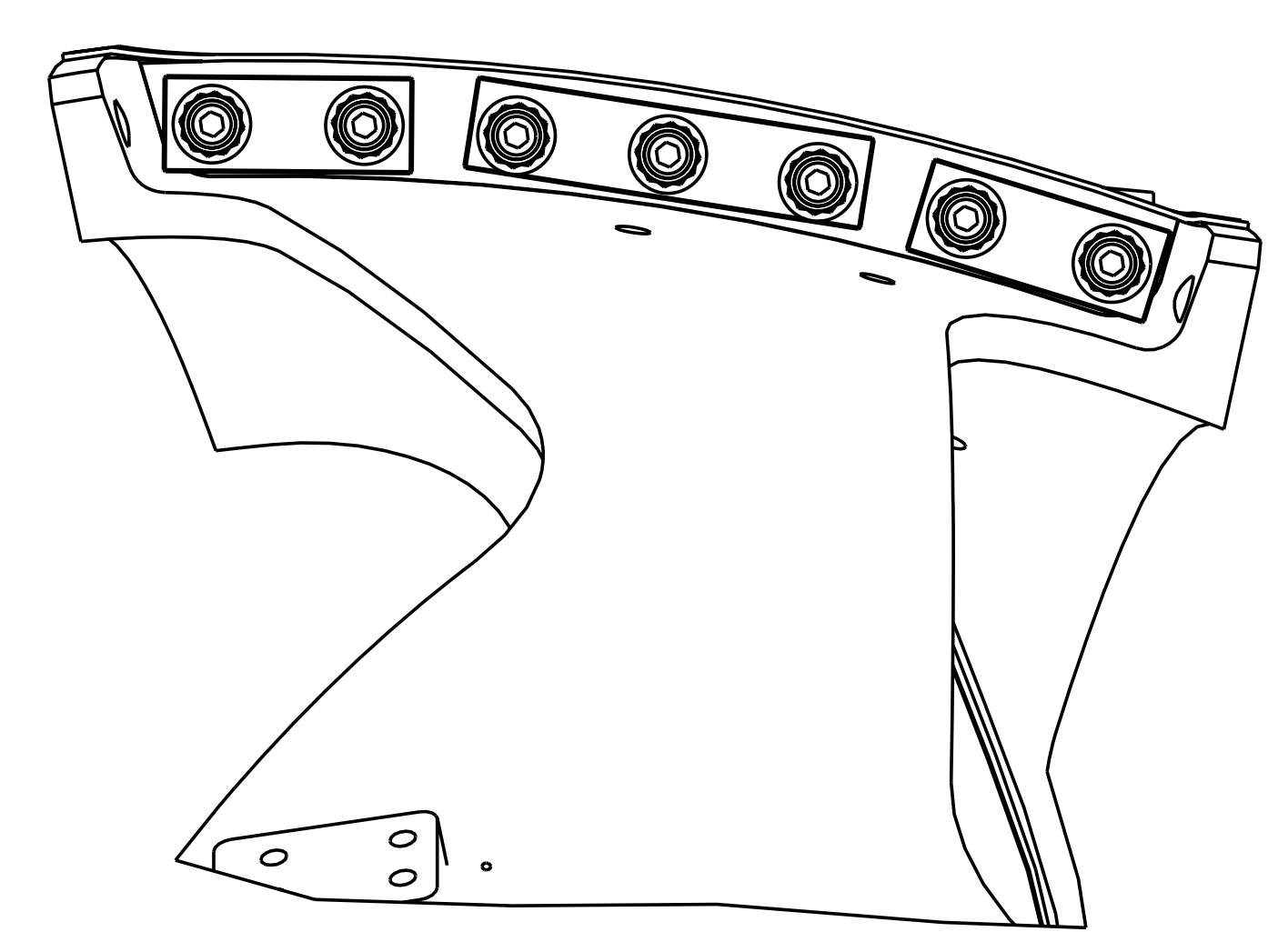
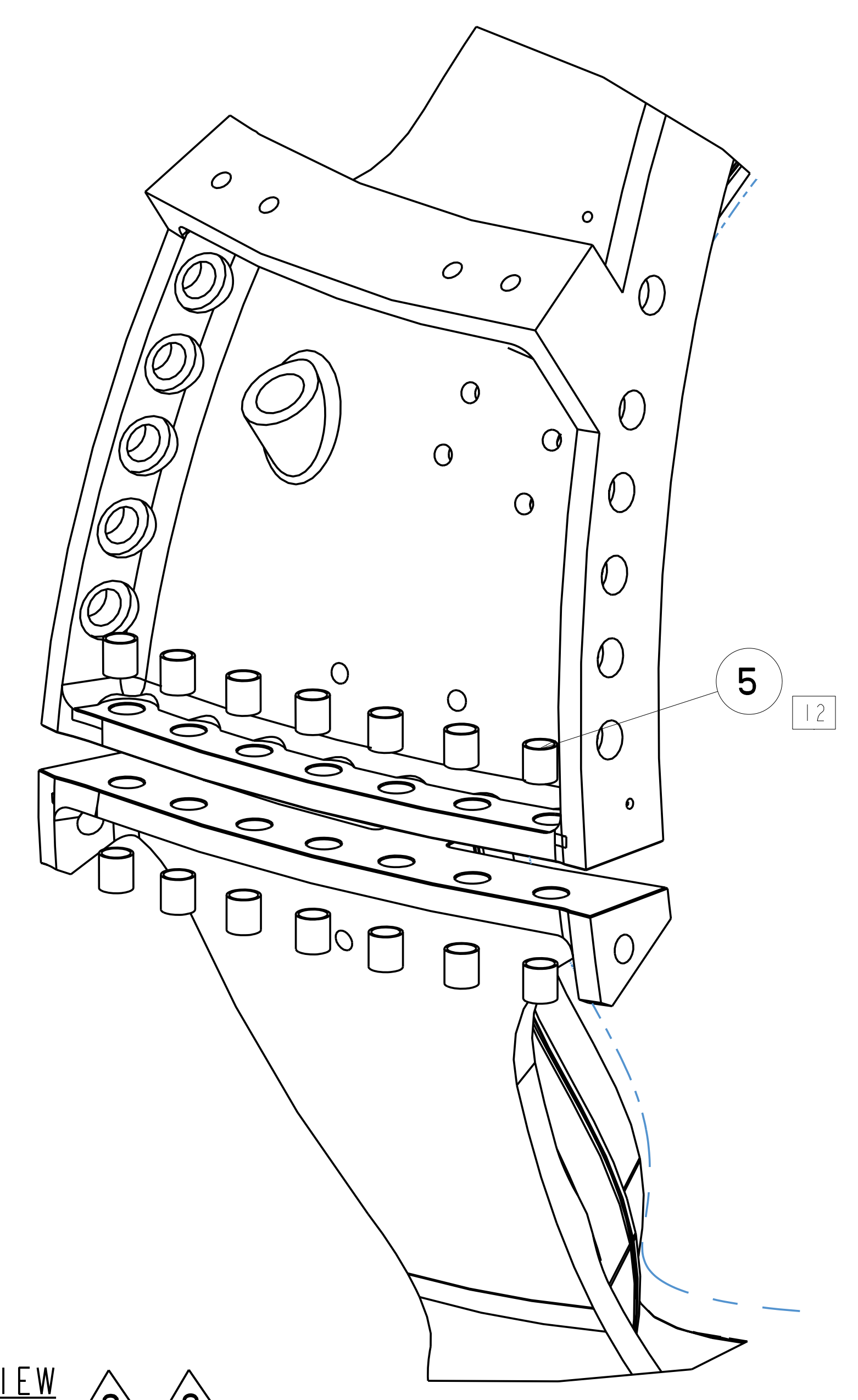
FOR NOTES AND PARTS LIST SEE SHEET 1



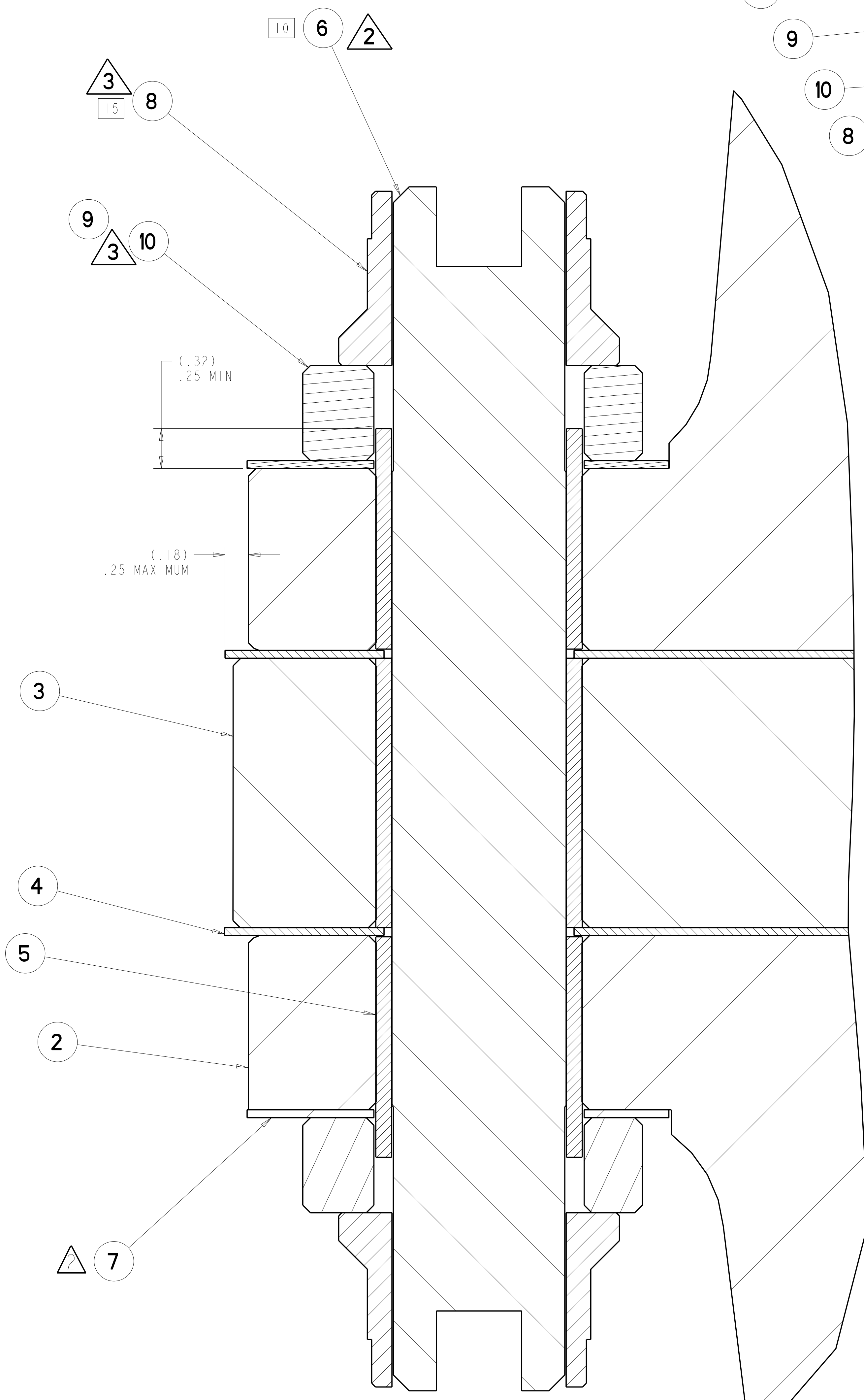
SECTION A-A
 SCALE 0.20



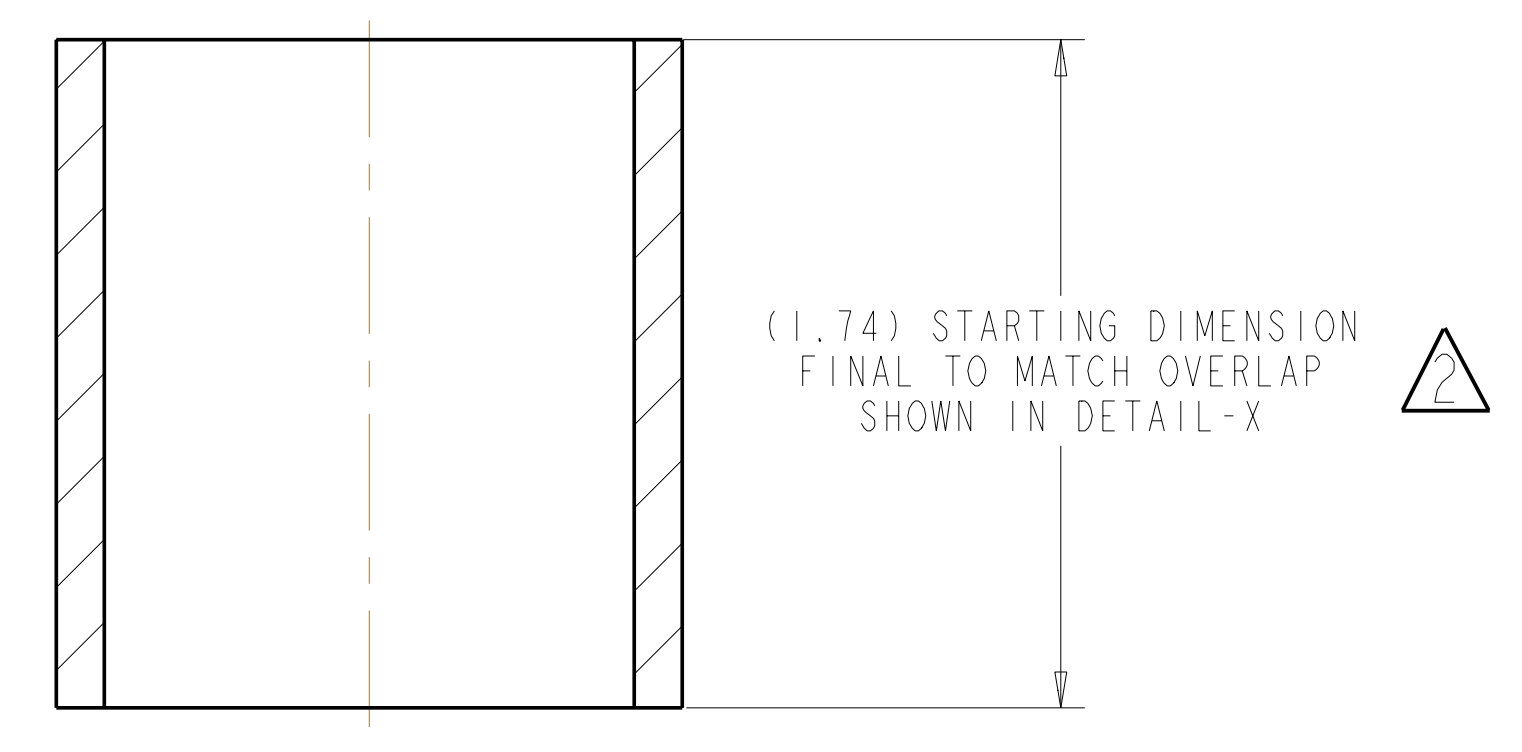
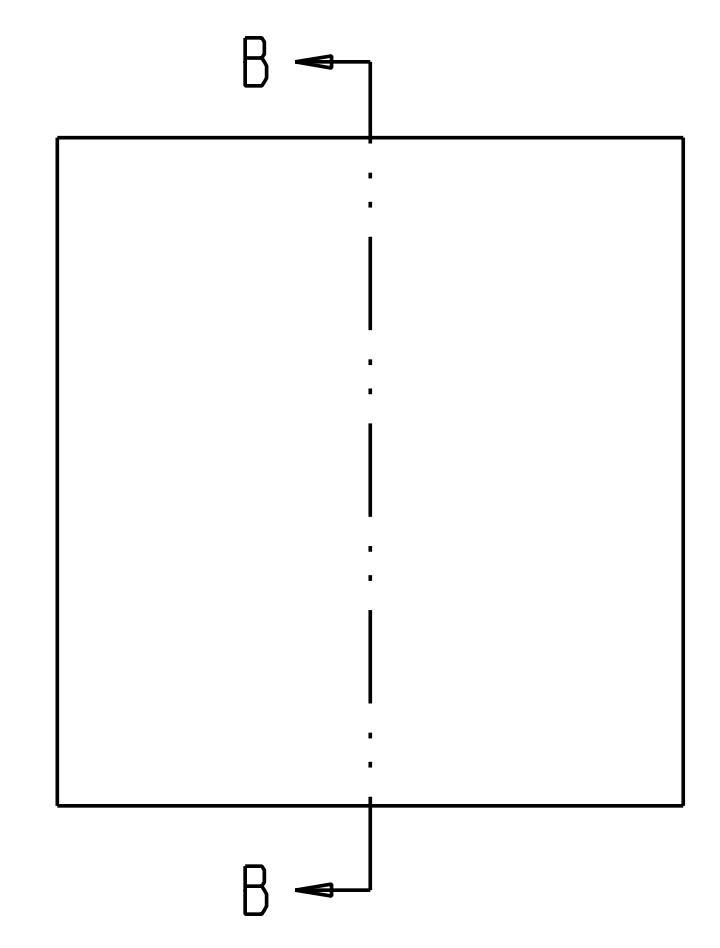
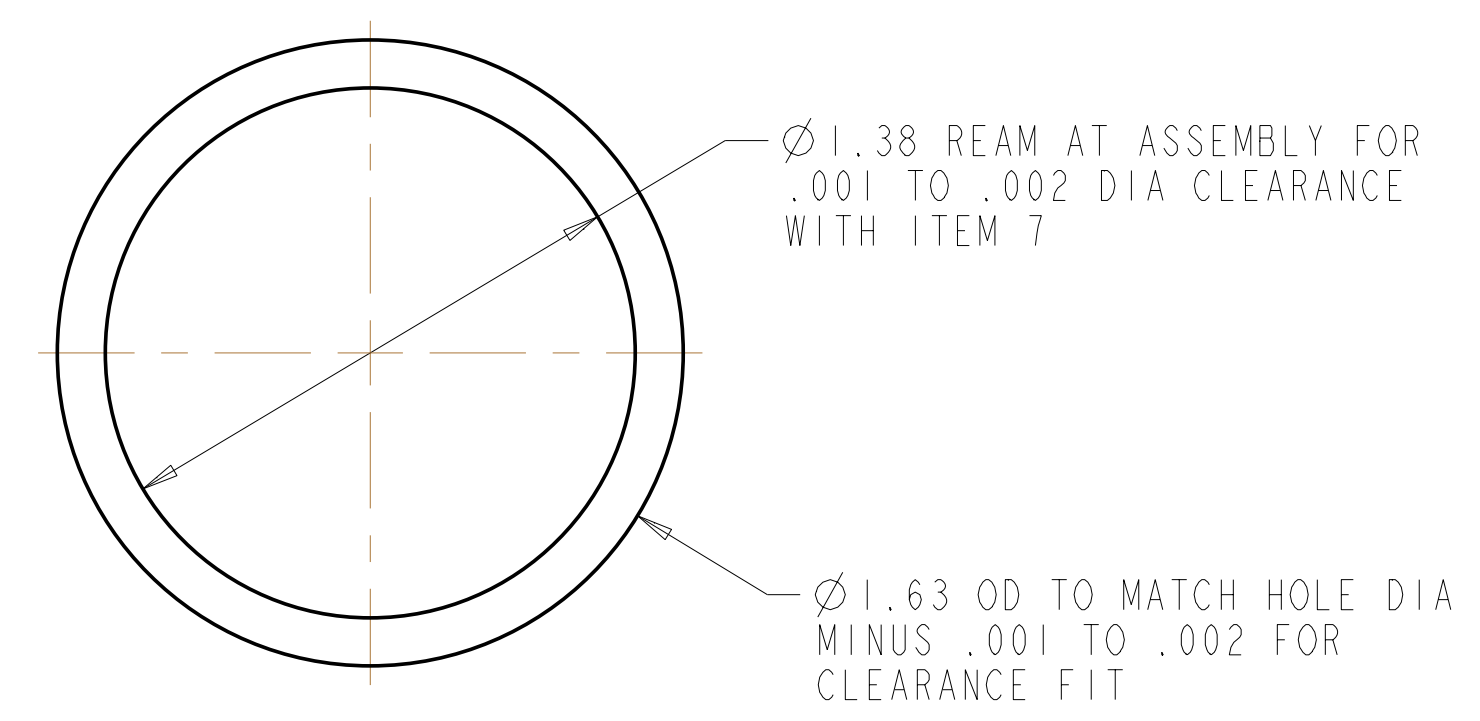
1 EXPLODED VIEW
 SCALE 0.20



POLOIDAL BREAK DETAIL



DETAIL X
 SCALE 2.00



5 SECTION B-B
 SCALE 2.00

ECN-5197 approved and decision made to apply ECN stamp vs. updating impacted drawings. This ECN prohibits the continued use of "Thred Gard" lubricant to bolts.
 (See ECN-5197 for Details)

**RELEASED FOR
 FABRICATION / INSTALLATION**
 PPPL Drafting:

| | | | | | | | |
|---|-----------|------|----|--------|------|-------|-----|
| Oak Ridge National Laboratory managed for the DEPARTMENT OF ENERGY under U.S. GOVERNMENT contract DE-AC05-00OR22725 UT-BATTELLE, LLC, Oak Ridge, Tennessee | | | | | | | |
| UT-BATTELLE NATIONAL COMPACT STELLARATOR EXPERIMENT | | | | | | | |
| MOD COIL WINDING FORM ASSEMBLY TYPE-A | | | | | | | |
| VERSION NO. | PLANT | BLDG | FL | SHT OF | TYPE | CLASS | |
| 3 | X-10 | 5700 | 3 | 2 | S | U | |
| RELEASE LEVEL | SEI41-101 | | | | | | REV |
| Fabrication | | | | | | | 3 |

H
G
F
E
D
C
B
A