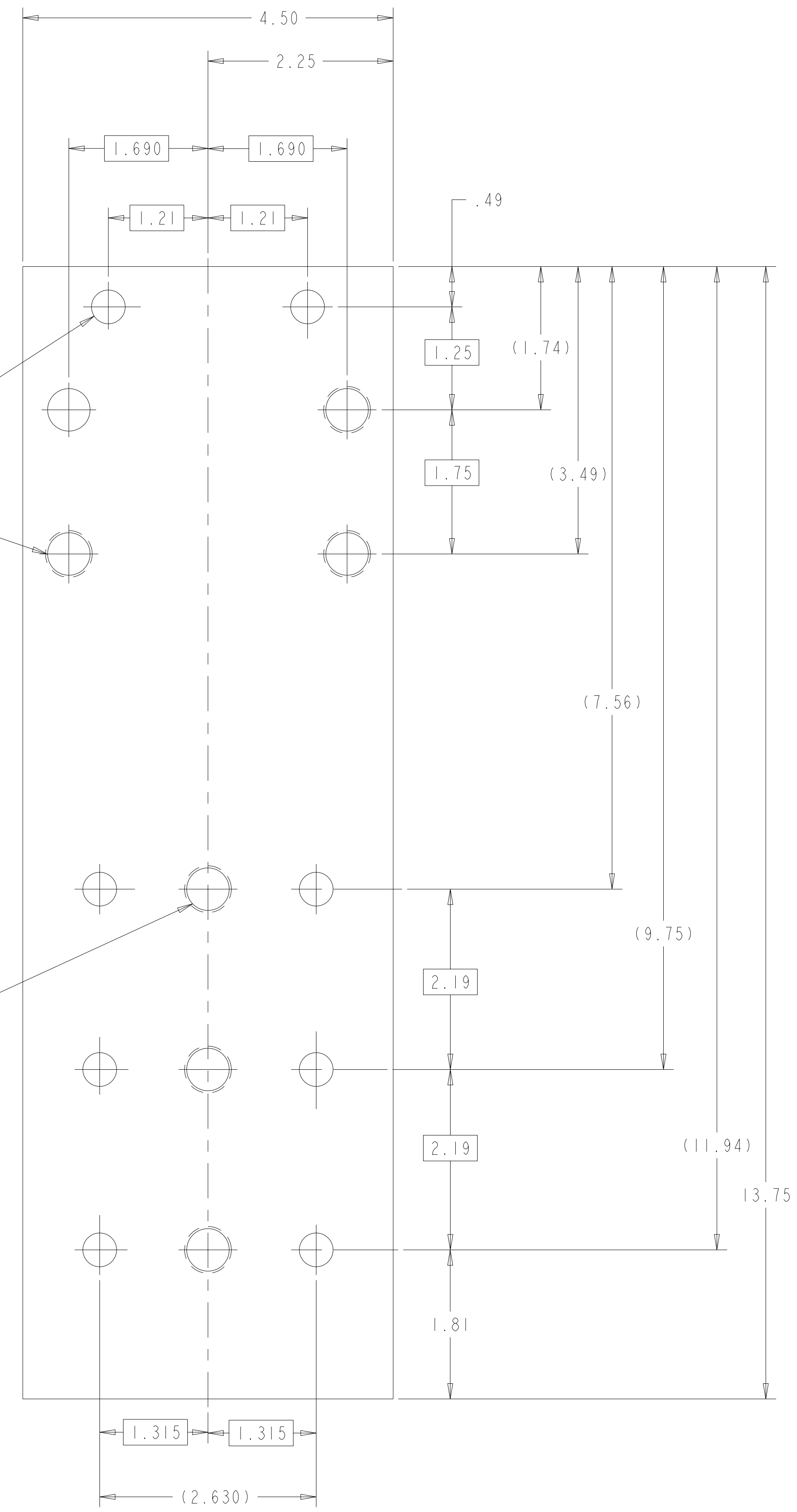
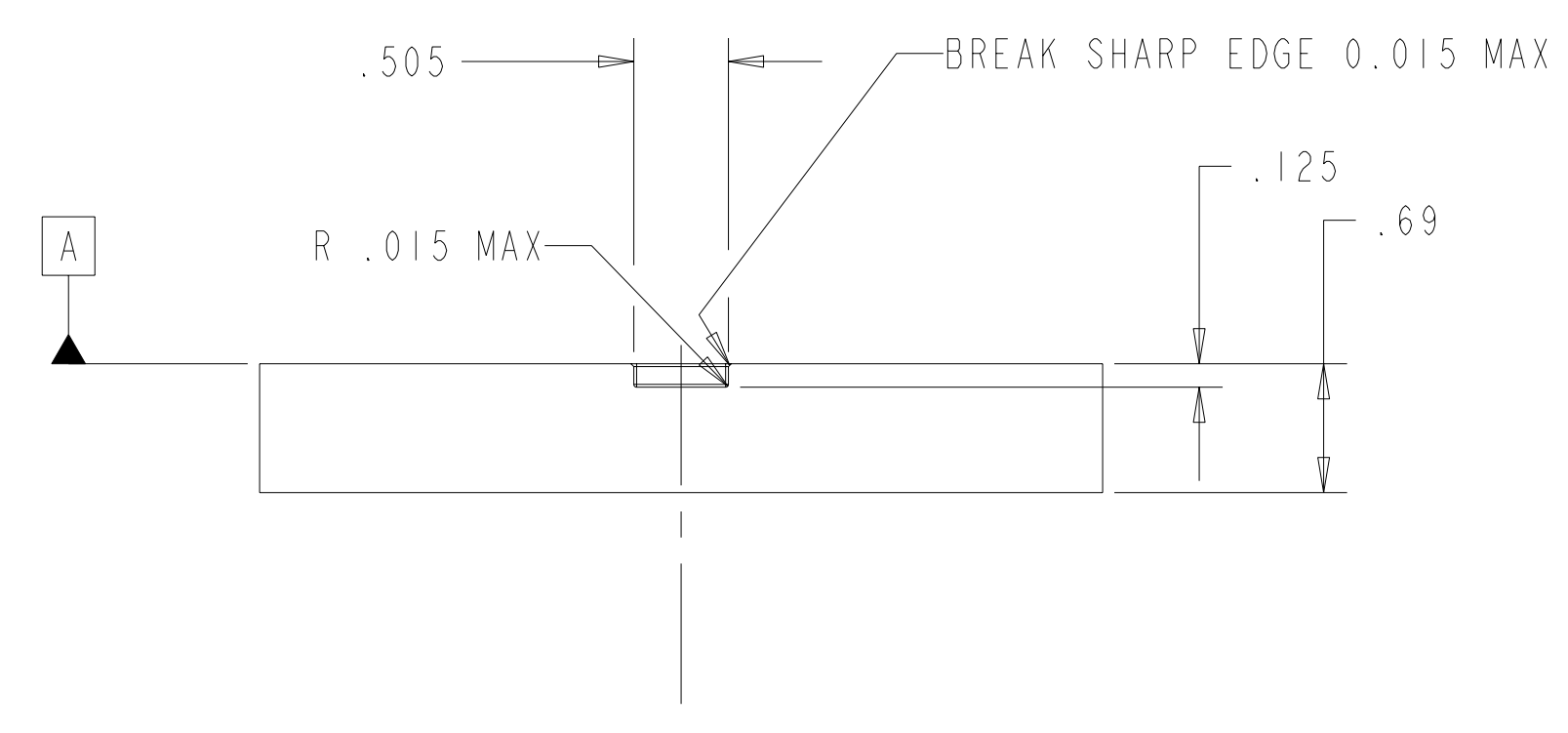
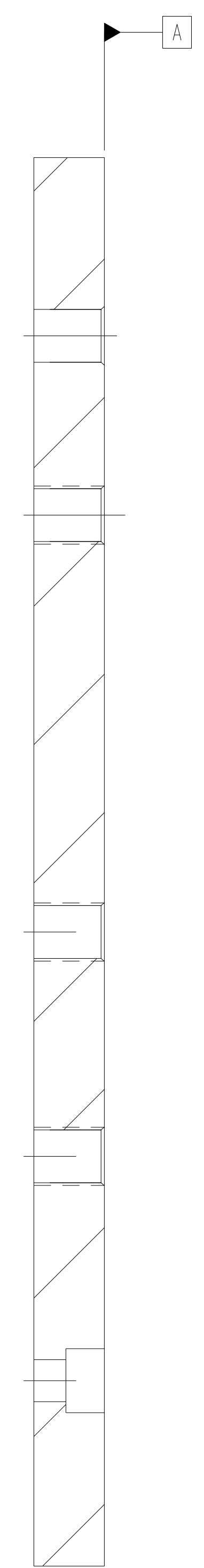


- NOTES:
1. DRAWING PREPARED IN ACCORDANCE WITH ASME Y14.100-2004
 2. INTERPRET DIMENSIONS AND TOLERANCES PER ANSI Y14.5M-1994
 3. DIMENSIONS ARE IN INCHES
 4. DIMENSIONS APPLY AT ROOM TEMPERATURE. OPERATING TEMP 80 K.
 5. GEOMETRY IS DEFINED IN PRO ENGINEER CAD MODELS/FILES SE142C-047.PRT
 6. DRAWING AND MODELS COMBINED DEFINE FINISHED MACHINED PART.
 7. MAGNETIC PERMEABILITY NOT TO EXCEED 1.02 AS TESTED BY A SEVERN INDICATOR. AVAILABLE FROM
SEVERN ENGINEERING
555 OLD STAGE RD., SUITE 14
AUBURN, ALABAMA 36830

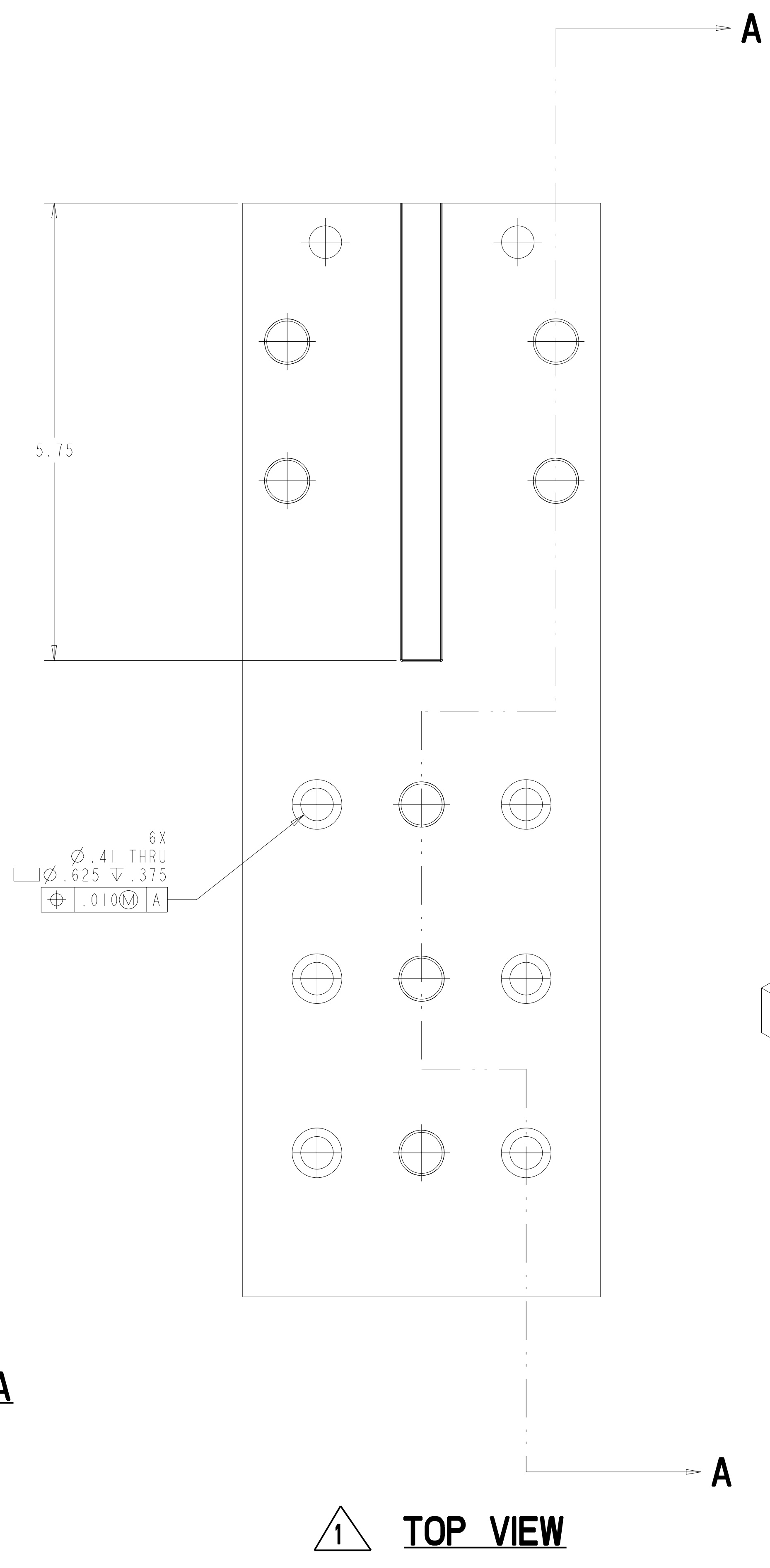


BOTTOM VIEW 1

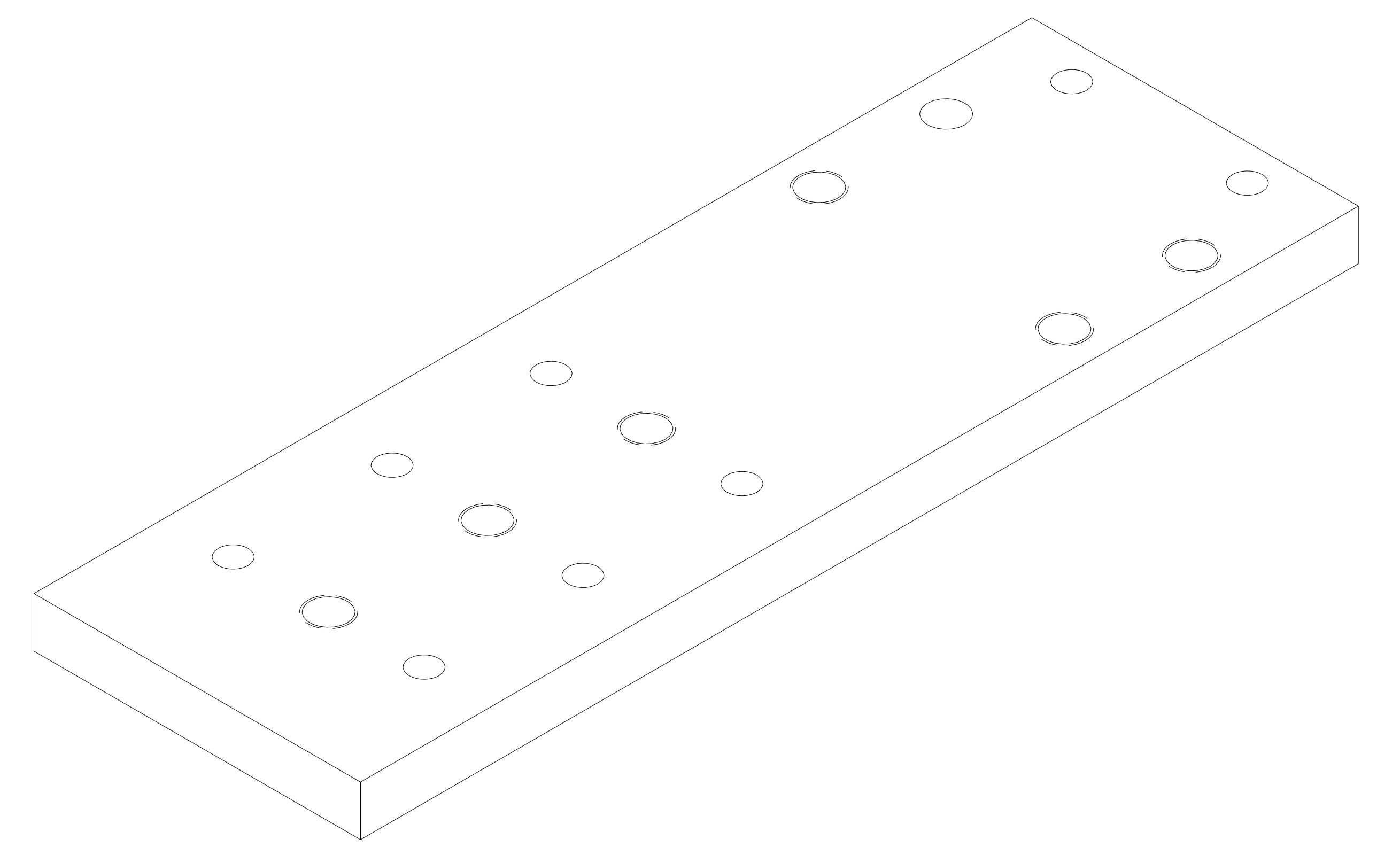
SCALE 1 : 1



SECTION A-A
SCALE 1.00



TOP VIEW 1



ISOMETRIC VIEW

1

REV	DESCRIPTION	BY	DATE	CHK	DEPT	DATE	PE	REQ	DATE	ORNL	DOE	DATE
1	REVISE PART AND DRAWING PER ECN 5140	GLL	7-06	MJC			DEW					
0	INITIAL RELEASE	GLL	6-05				DEW					

CAGE CODE	PART OR IDENTIFYING NO	NOMENCLATURE OR DESCRIPTION	MATERIAL / SPECIFICATION	FIND NO
SE142C-050	-1	JUMPER BLOCK BASE	NEMA GRADE G-11CR	1

← NEXT ASSEMBLY PARTS LIST

NO REPRESENTATION OR WARRANTY, EXPRESSED OR IMPLIED, IS MADE AS TO THE ACCURACY, COMPLETENESS OR USEFULNESS OF THE INFORMATION OR STATEMENTS CONTAINED IN THESE DRAWINGS, OR THAT THE USE OR DISCLOSURE OF ANY INFORMATION, APPARATUS, METHOD OR PROCESS DISCLOSED IN THESE DRAWINGS MAY NOT INFRINGE PRIVATE RIGHTS OF OTHERS. NO LIABILITY IS ASSUMED WITH RESPECT TO THE USE OF, OR FOR DAMAGES RESULTING FROM THE USE OF, ANY INFORMATION, APPARATUS, METHOD OR PROCESS DISCLOSED IN THESE DRAWINGS. DRAWINGS MADE AVAILABLE FOR INFORMATION TO BIDDER ARE NOT TO BE USED FOR OTHER PURPOSES, AND ARE TO BE RETURNED UPON REQUEST OF THE FORWARDING CONTRACTOR.

P THIS DRAWING PRODUCED ON PRO-ENGINEER

SCALE NOTED	DES: P FOGARTY 05/05	Oak Ridge National Laboratory managed for the DEPARTMENT OF ENERGY under U.S. GOVERNMENT CONTRACT DE-AC05-00OR22725 UT-BATTELLE, LLC, Oak Ridge, Tennessee PROJECT NAME: NATIONAL COMPACT STELLARATOR EXPERIMENT MODULAR COIL TYPE-C JUMPERS BASE BLOCK DETAIL
TOLERANCES UNLESS OTHERWISE SPECIFIED	DRW: G LOVETT 05/05	
FRACTIONS XX DECIMALS ±.01	CHK: M COLE 05/05	
XXX DECIMALS ±.005	PE: D WILLIAMSON 05/05	
ANGLES ±0°15'	DEPT: :	VERSION NO. 5
BREAK SHARP EDGES OR MAX FINISH .125 UNLESS OTHERWISE SPECIFIED	REQ: :	PLANT X-10
	PPPL DRFT J SIEGEL 05/05	BLDG 5700
	FL: 3	SHT: 1
	OF: 1	TYPE: S
	CLASS: U	REV: 1
	DRAWING APPROVALS DATE	RELEASE LEVEL WIP
		SE142C-047