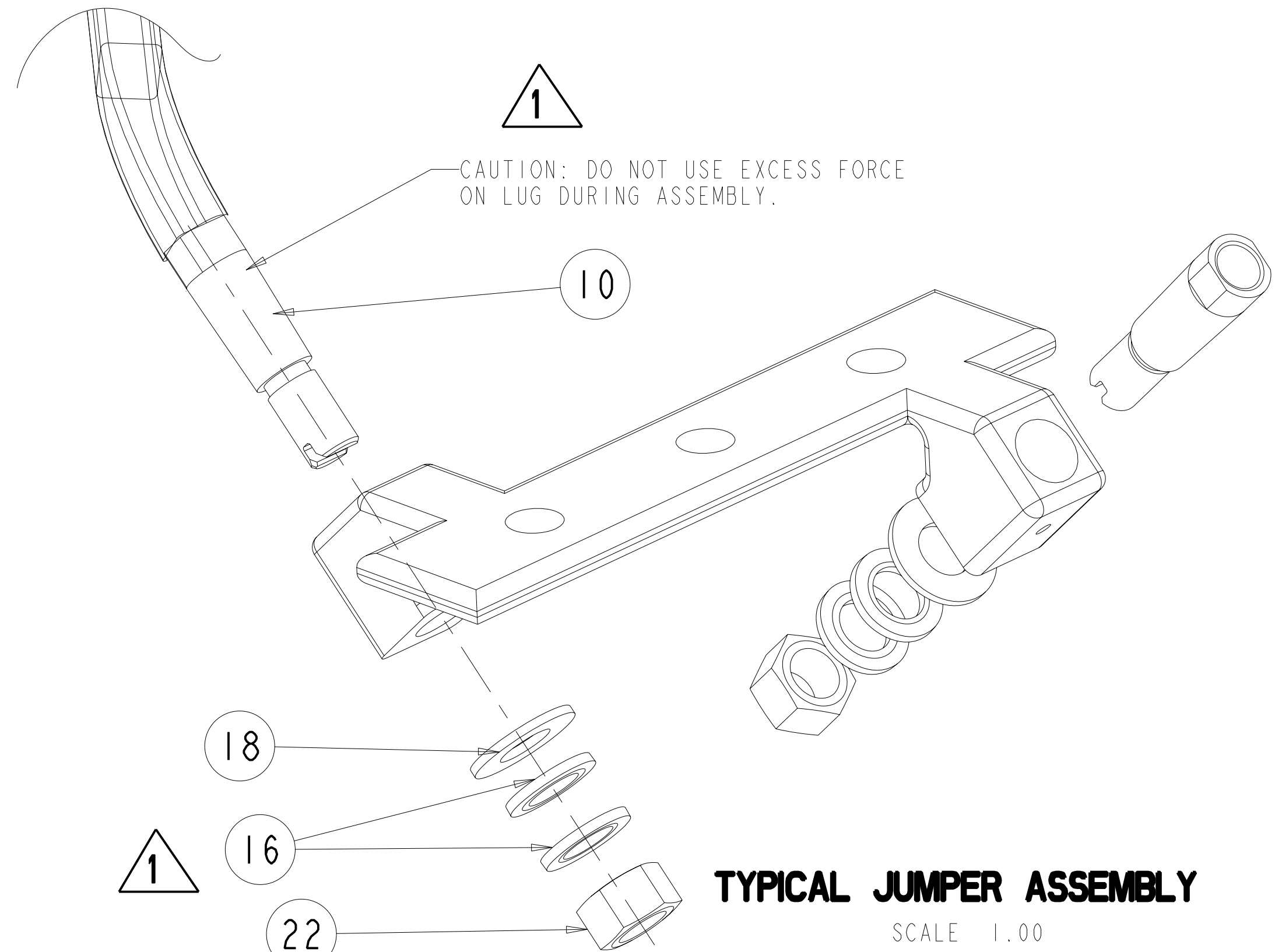


ISOMETRIC VIEW
SCALE 1.00

EXPLODED ISOMETRIC VIEW
SCALE 0.50

- NOTES:
- DRAWING PREPARED IN ACCORDANCE WITH ASME Y14.100-2000.
 - INTERPRET DIMENSIONS AND TOLERANCES PER ANSI Y14.5M-1994
 - DIMENSIONS ARE IN INCHES
 - DIMENSIONS APPLY AT ROOM TEMPERATURE. OPERATING TEMP 80 K.
 - MAGNETIC PERMEABILITY NOT TO EXCEED 1.02 AS TESTED BY A SEVERN INDICATOR, AVAILABLE FROM:
SEVERN ENGINEERING
555 OLD STAGE RD., SUITE 14
AUBURN, ALABAMA 36830
 - AVAILABLE FROM:
SOLON MANUFACTURING
7 ISLAND AVENUE
SKOWHEGAN, ME 04976-1102
CAGE CODE: 5L934
PHONE : 207-474-6213
FAX : 207-474-7320
 - AVAILABLE FROM:
MCMASTER CARR
600 COUNTY LINE RD
ELMHURST, IL 60126
CAGE CODE: 39428
PHONE: 630-833-0300
 - APPLY EPOXY (MINIMUM REQUIRED) TO SEPARATE ITEM 13 STUD FROM ITEM 11 (INSULATING SHEET).



TYPICAL JUMPER ASSEMBLY
SCALE 1.00

REV	DESCRIPTION	BY	DATE	CHK	DEPT	DATE	PE	REQ	DATE	ORNL	DOE	DATE
1	REVISE PART AND DRAWING PER ECN 5140	GLL	7-06	MJC	DEW							
2												
3												
4												
5												
6												
7												
8												

QTY	PART OR IDENTIFYING NO	DESCRIPTION	MATERIAL / SPECIFICATION	FIND NO
7	KNH616J	.375 -16UNC -2B ID THD .5625 -12UNC -2A EXT THD KEENSERT INSERT	300 SERIES SSSL	30
1	SEI42C-045	STUD CONNECTOR		29
1	-28	1.5" WD X 7.5" LNG X .06THK INSULATOR	NEMA GRADE G-11CR	28
7	-27	BARRIER PLUG	EPOXY	27
AR	-26	KAPTON TAPE INSULATOR	KAPTON TAPE	26
4	-25	INS BUSHING, 0.63 OD X .38 ID X 3.50 LNG	NEMA GRADE, G-11CR	25
4	-24	STUD, 3/8-16 UNC X 5.50 LNG	SS UNS S31600	24
10	-23	SCREW, 3/8-16UNC X 1.0 LNG HEX SOC HD CAP	SS UNS S31600	23
16	-22	NUT 1/2-13 UNC STANDARD HEX	SS UNS S31600	22
11	-21	NUT 3/8-16 UNC STANDARD HEX	SS UNS S31600	21
3	-20	INS BUSHING, 0.5 OD X .38 ID X 1.88 LNG	NEMA GRADE, G-11CR	20
7	16	39428	91950A033	18
7	11	39428	91525A140	17
6	54	5L934	8F89718	16
2	SEI42C-260	SPACER, TEMPORARY		15
2	SEI42C-254	CONDUCTOR INSULATING PLATE		14
3	SEI42C-222	LEAD BLOCK THREADED STUD		13
1	SEI42C-212	INSULATING SPACER		12
1	SEI42C-211	INSULATING SHEET DETAIL		11
16	SEI42C-059	TYPE-C CABLE CONNECTOR		10
1	SEI42C-056	TERMINAL LUG - SIDE-B - LONG		9
1	SEI42C-055	TERMINAL LUG - SIDE-A - SHORT		8
1	SEI42C-054	TYPE-C TERMINAL JUMPER #4		7
1	SEI42C-053	TYPE-C TERMINAL JUMPER #3		6
1	SEI42C-052	TYPE-C TERMINAL JUMPER #2		5
1	SEI42C-051	TYPE-C TERMINAL JUMPER #1		4
3	SEI42C-049	JUMPERS INS SHEET DETAIL		3
1	SEI42C-047	JUMPERS BASE BLOCK ASM		2
AR	X	-1	TYPE-C LEADS TERMINAL ASSEMBLY	1

PARTS LIST

NO REPRESENTATION OR WARRANTY, EXPRESSED OR IMPLIED, IS MADE AS TO THE ACCURACY, COMPLETENESS OR USEFULNESS OF THE INFORMATION OR STATEMENTS CONTAINED IN THESE DRAWINGS, OR THAT THE USE OR DISCLOSURE OF ANY INFORMATION, APPARATUS, METHOD OR PROCESS DISCLOSED IN THESE DRAWINGS MAY NOT INFRINGE PRIVATE RIGHTS OF OTHERS. NO LIABILITY IS ASSUMED WITH RESPECT TO THE USE OF, OR FOR DAMAGES RESULTING FROM THE USE OF, ANY INFORMATION, APPARATUS, METHOD OR PROCESS DISCLOSED IN THESE DRAWINGS. DRAWINGS MADE AVAILABLE FOR INFORMATION TO BIDDER ARE NOT TO BE USED FOR OTHER PURPOSES, AND ARE TO BE RETURNED UPON REQUEST OF THE FORWARDING CONTRACTOR.

P THIS DRAWING PRODUCED ON PRO-ENGINEER

REV	DESCRIPTION	BY	DATE	CHK	DEPT	DATE	PE	REQ	DATE	ORNL	DOE	DATE
1	REVISE PART AND DRAWING PER ECN 5140	GLL	7-06	MJC	DEW							
2												
3												
4												
5												
6												
7												
8												

SCALE	NOTED	DES	P FOGARTY	08/05
TOLERANCES UNLESS OTHERWISE SPECIFIED		DRW	G LOVETT	08/05
FRACTIONS	1/2	CHK	M COLE	08/05
XX DECIMALS	±.01	PE	D WILLIAMSON	08/05
XXX DECIMALS	±.005	CR		
ANGLES	±0°15'	PJ		
BREAK SHARP EDGES	06 MAX	RED		
FINISH	.125 UNLESS OTHERWISE SPECIFIED	PPPL	DFT J SIEGEL	08/05
		VERSION NO.	12+	
		PLANT	X-10	
		BLDG	5700	
		FL	3RD	
		SHT	1	
		OF	3	
		TYPE	S	
		CLASS	U	
		RELEASE LEVEL		
		WIP		

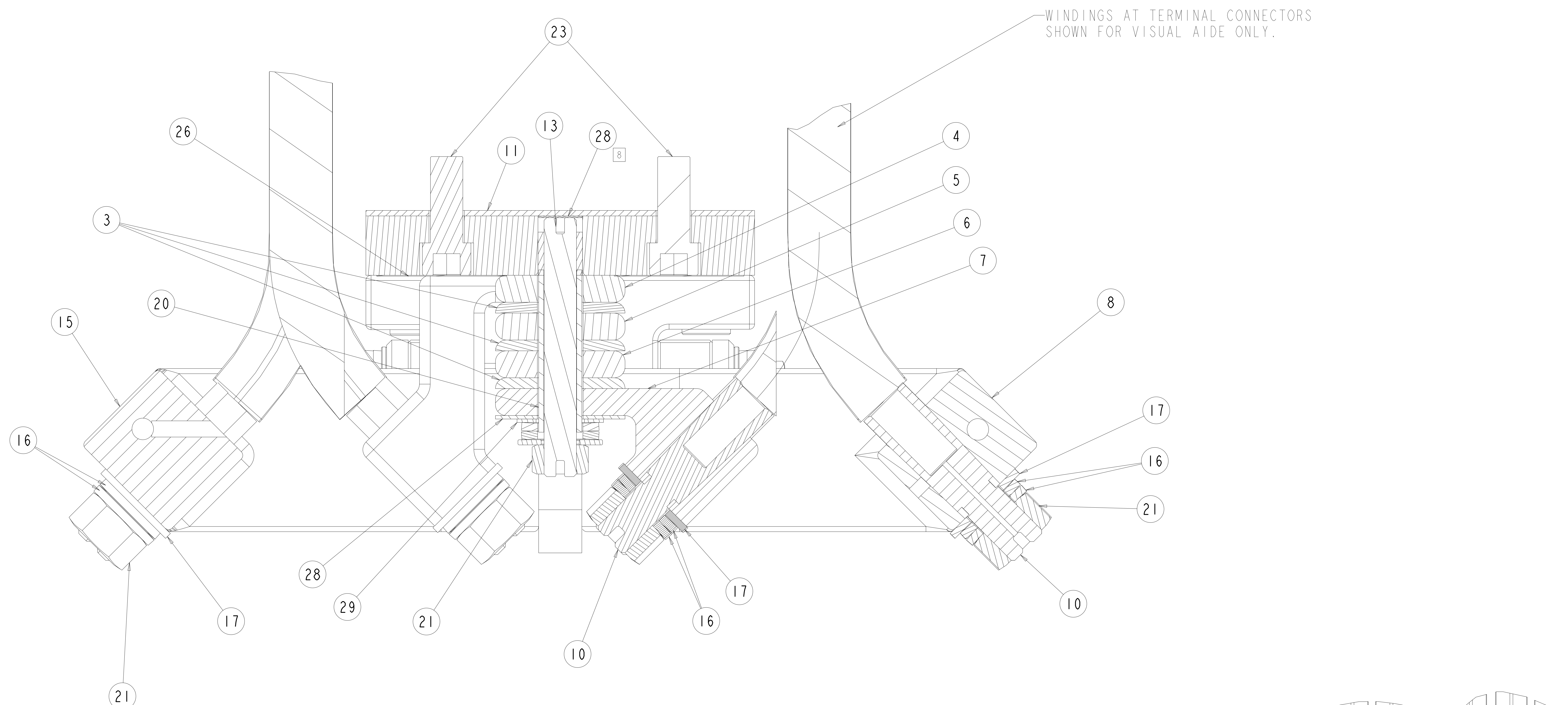
Oak Ridge National Laboratory managed for the DEPARTMENT OF ENERGY under U.S. GOVERNMENT CONTRACT DE-AC05-00OR22725 UT-BATTELLE, LLC., Oak Ridge, Tennessee

UT-BATTELLE

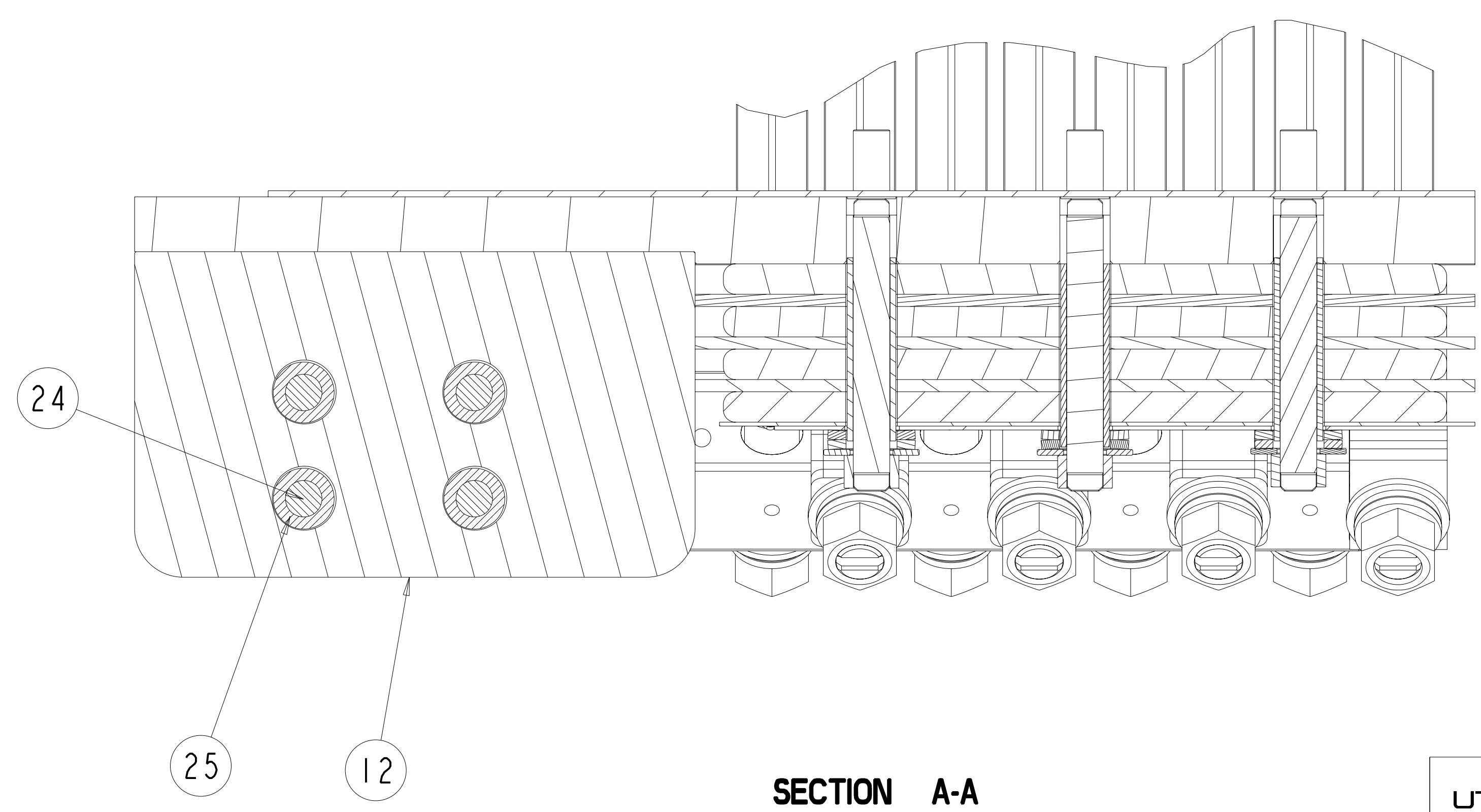
NATIONAL COMPACT STELLARATOR EXPERIMENT

MODULAR COIL TYPE-C LEADS TERMINAL ASSEMBLY

SEI42C-050



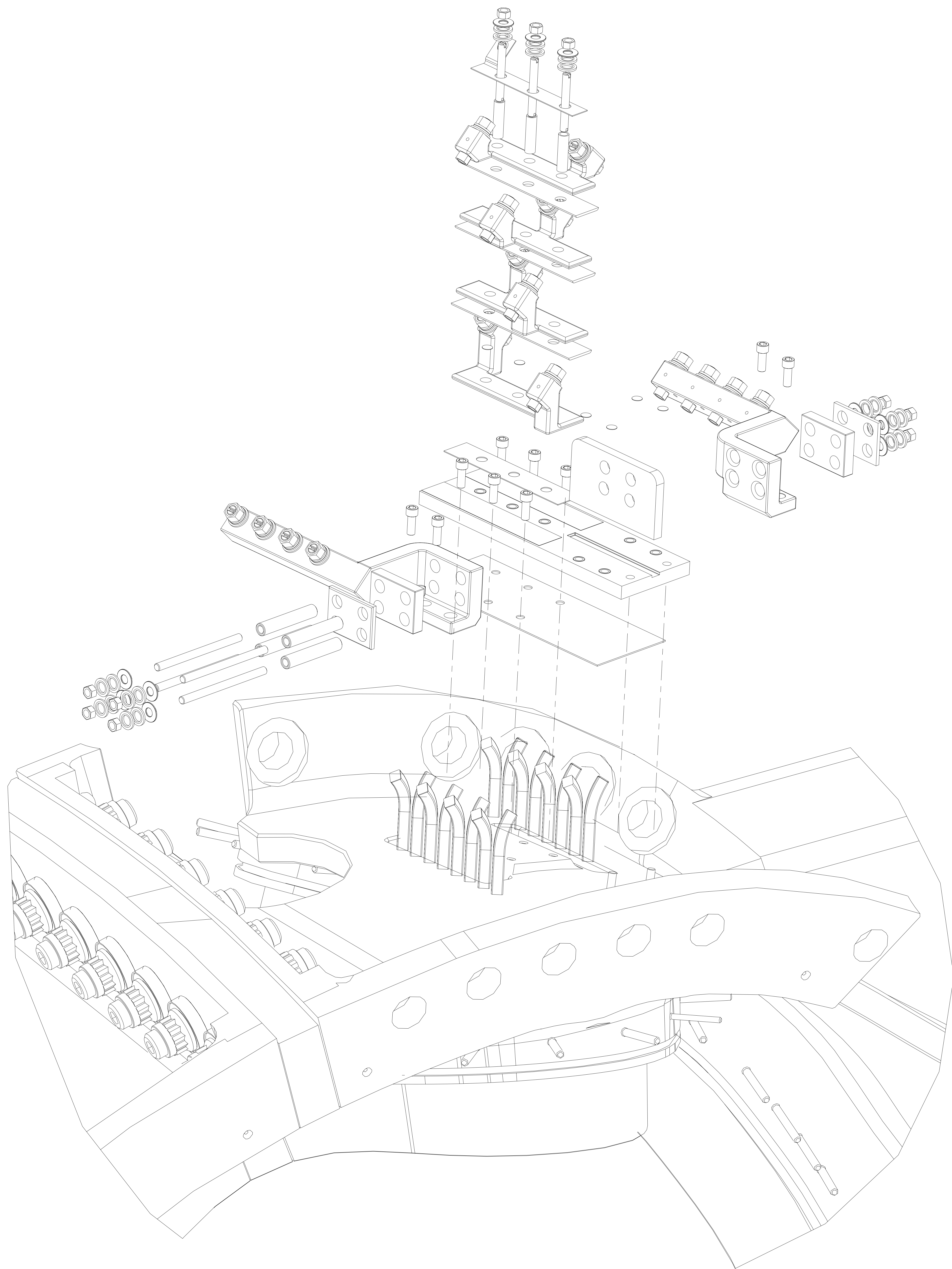
SECTION C-C 
SCALE 2.00



SECTION A-A
SCALE 1.00

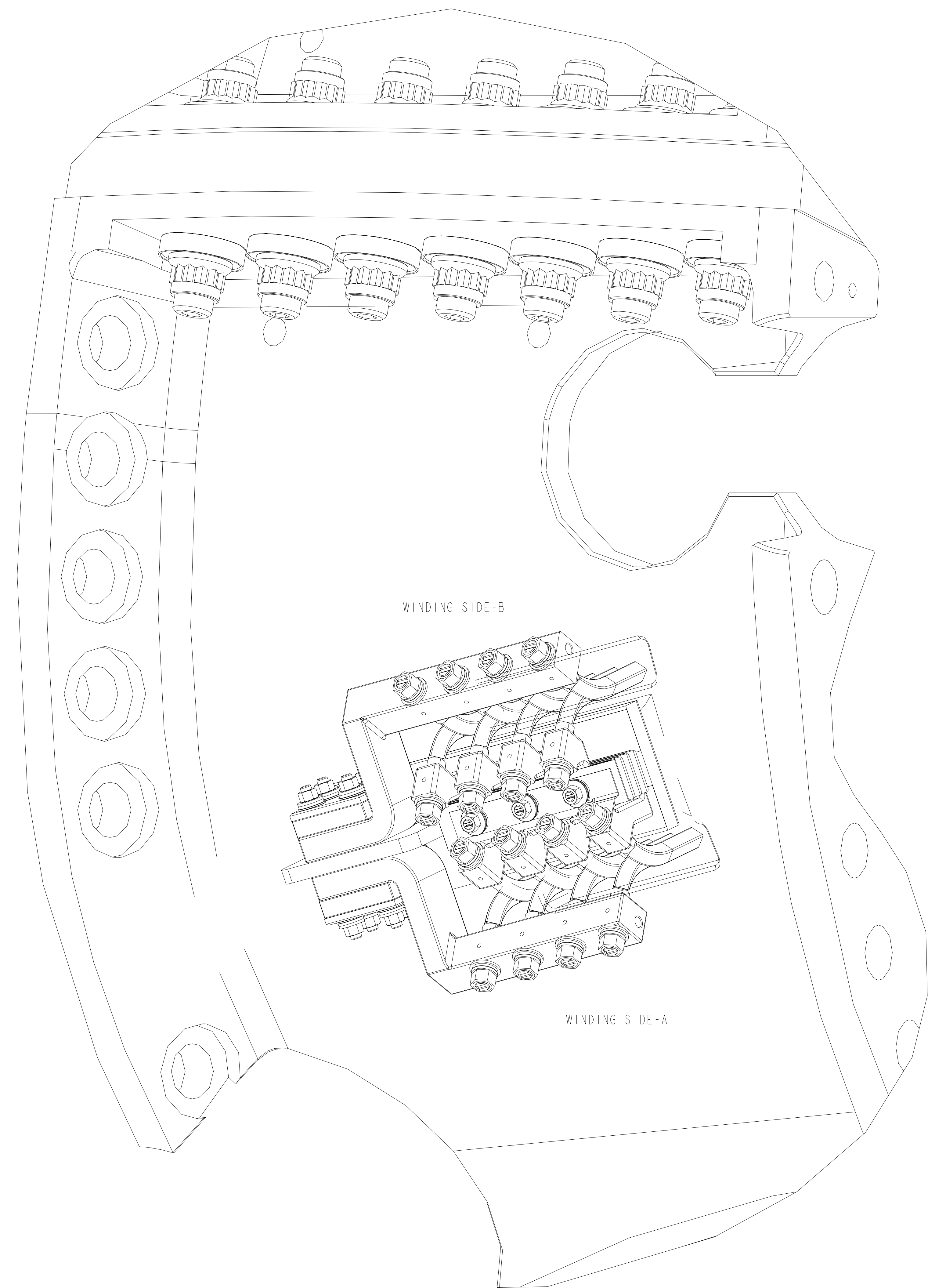
Oak Ridge National Laboratory managed for the DEPARTMENT OF ENERGY under U.S. GOVERNMENT contract DE-AC05-00OR22725 UT-BATTELLE, LLC, Oak Ridge, Tennessee PROJECT NAME:									
UT-BATTELLE NATIONAL COMPACT STELLARATOR EXPERIMENT									
MODULAR COIL TYPE-C LEADS TERMINAL ASSEMBLY									
VERSION NO.	PLANT	BLDG	FL	SHT	OF	TYPE	CLASS		
13	X-10	5700	3RD	2	3	S	U		
RELEASE LEVEL		SE142C-050						REV	
WIP								I	

00-02135



LEADS ASSEMBLY WITH COIL- EXPLODED VIEW

SCALE 0.500



LEADS ASSEMBLY WITH COIL

SCALE 0.500

UT-BATTELLE		Oak Ridge National Laboratory managed for the DEPARTMENT OF ENERGY under U.S. GOVERNMENT contract DE-AC05-00OR22725 UT-BATTELLE, LLC, Oak Ridge, Tennessee					
NATIONAL COMPACT STELLARATOR EXPERIMENT		PROJECT NAME					
MODULAR COIL TYPE-C LEADS TERMINAL ASSEMBLY		CLASS					
VERSION NO. 1.12+	PLANT X-10	BLDG 5700	FL 3RD	SHT 3	OF 3	TYPE S	CLASS U
RELEASE LEVEL WIP		SE142C-050				REV 1	

050-02131