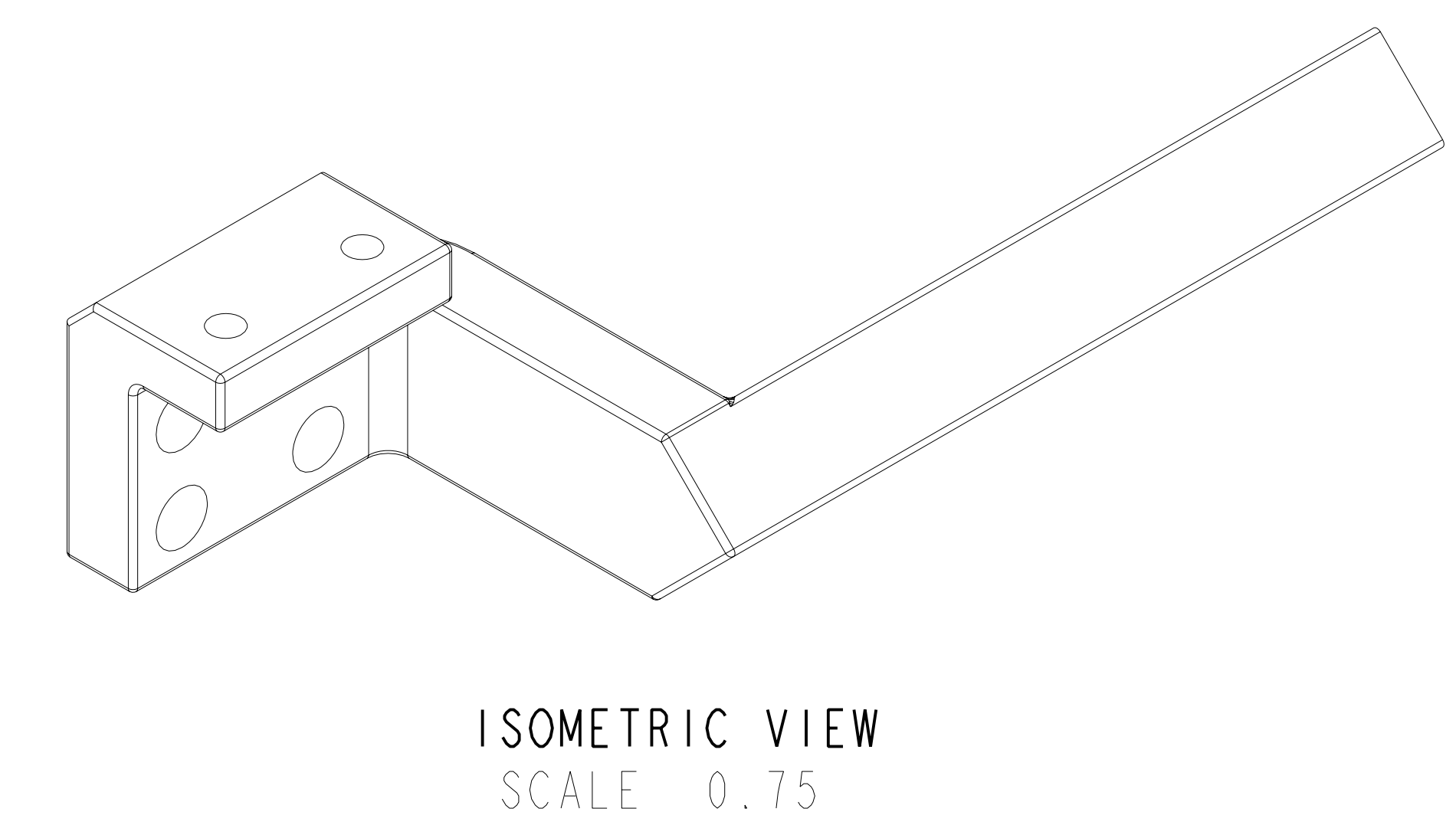
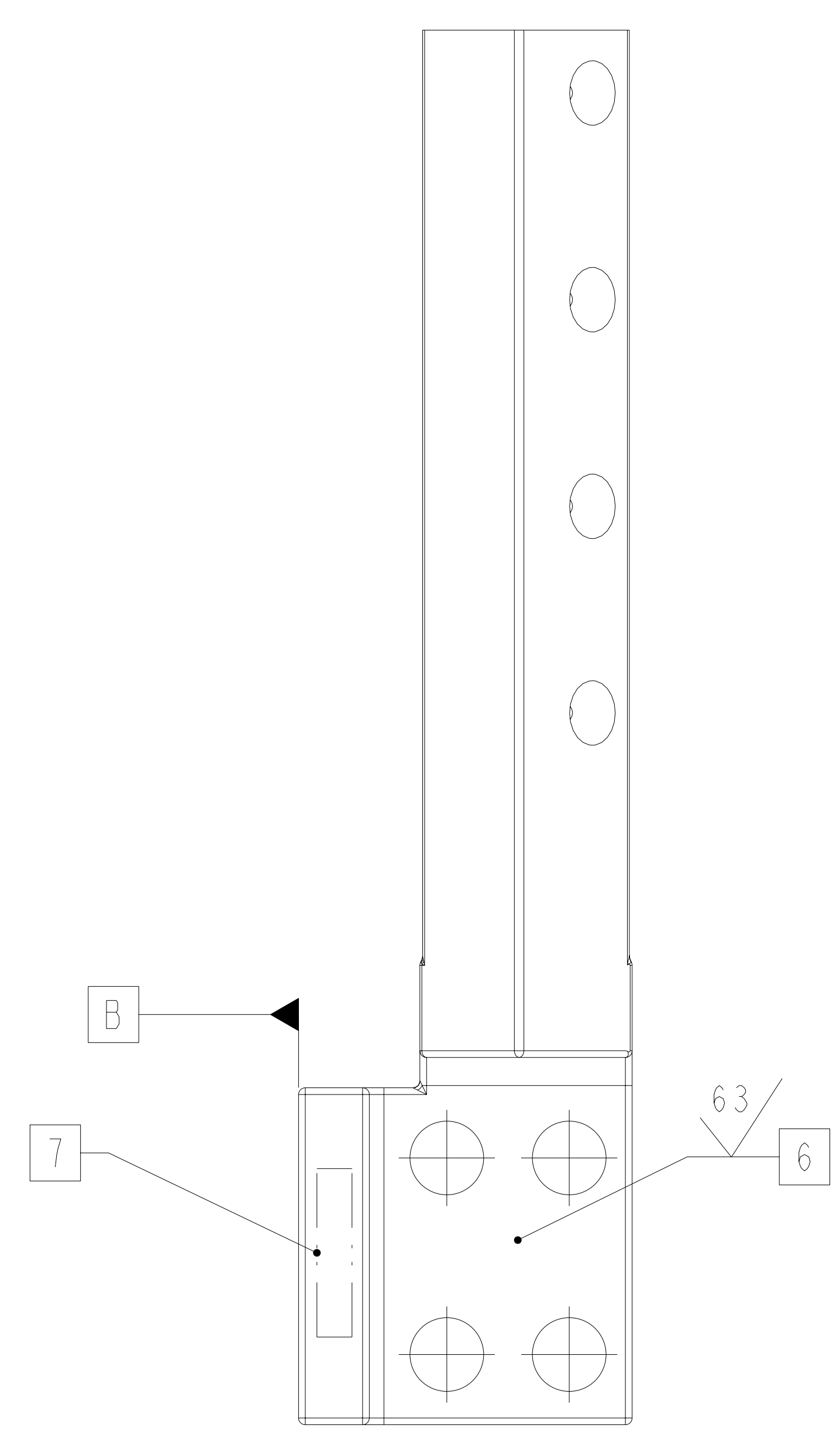
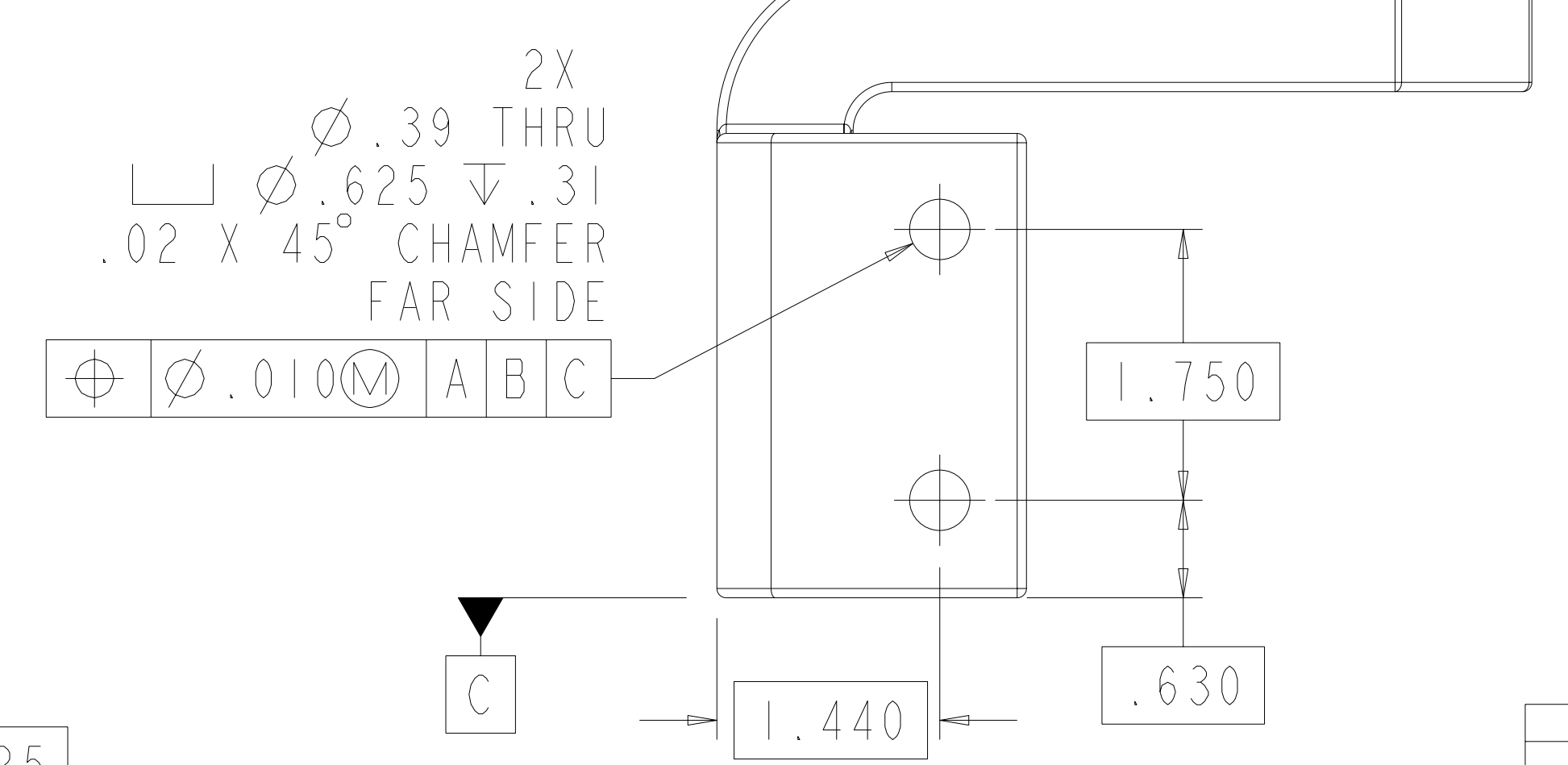
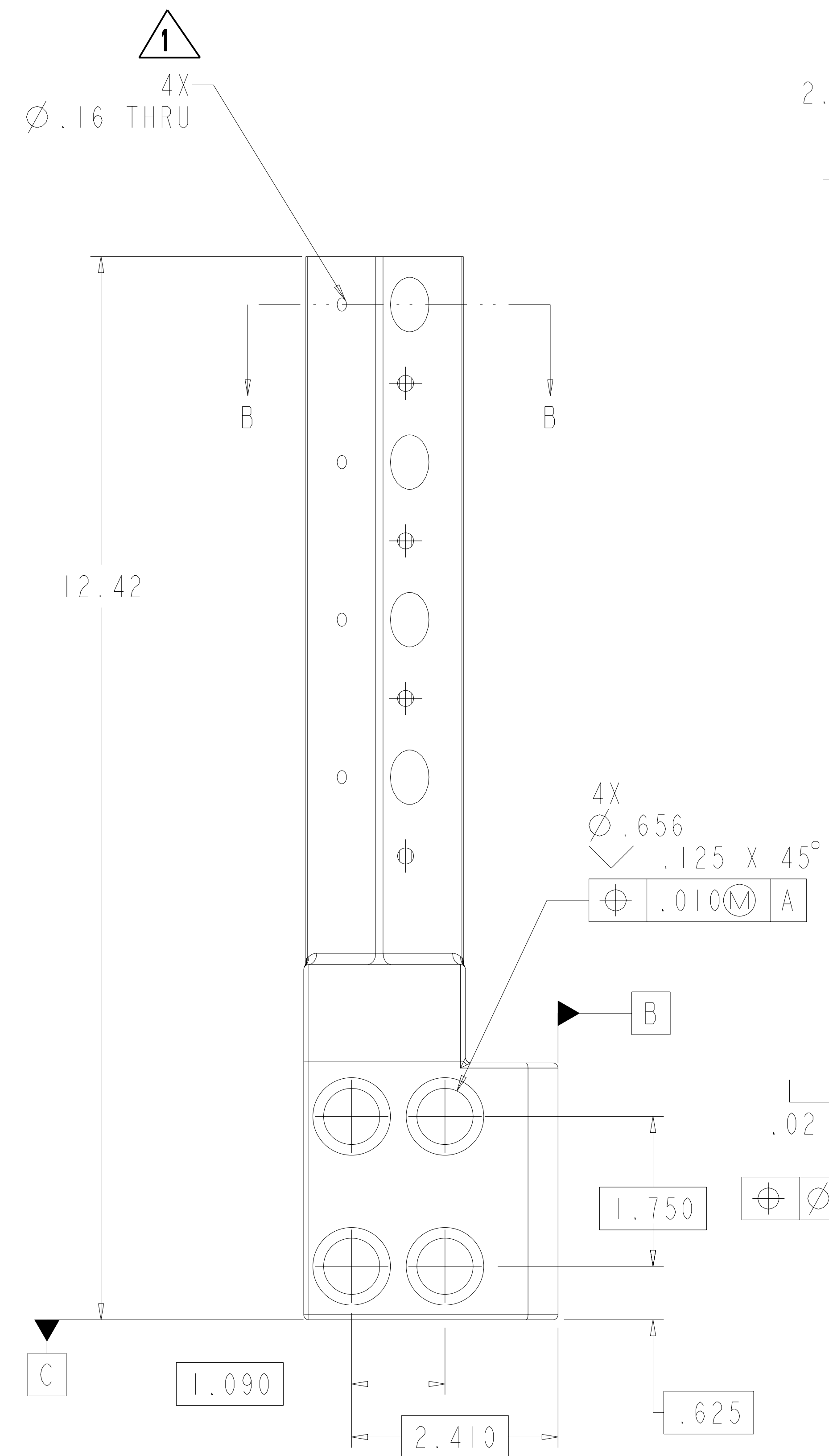
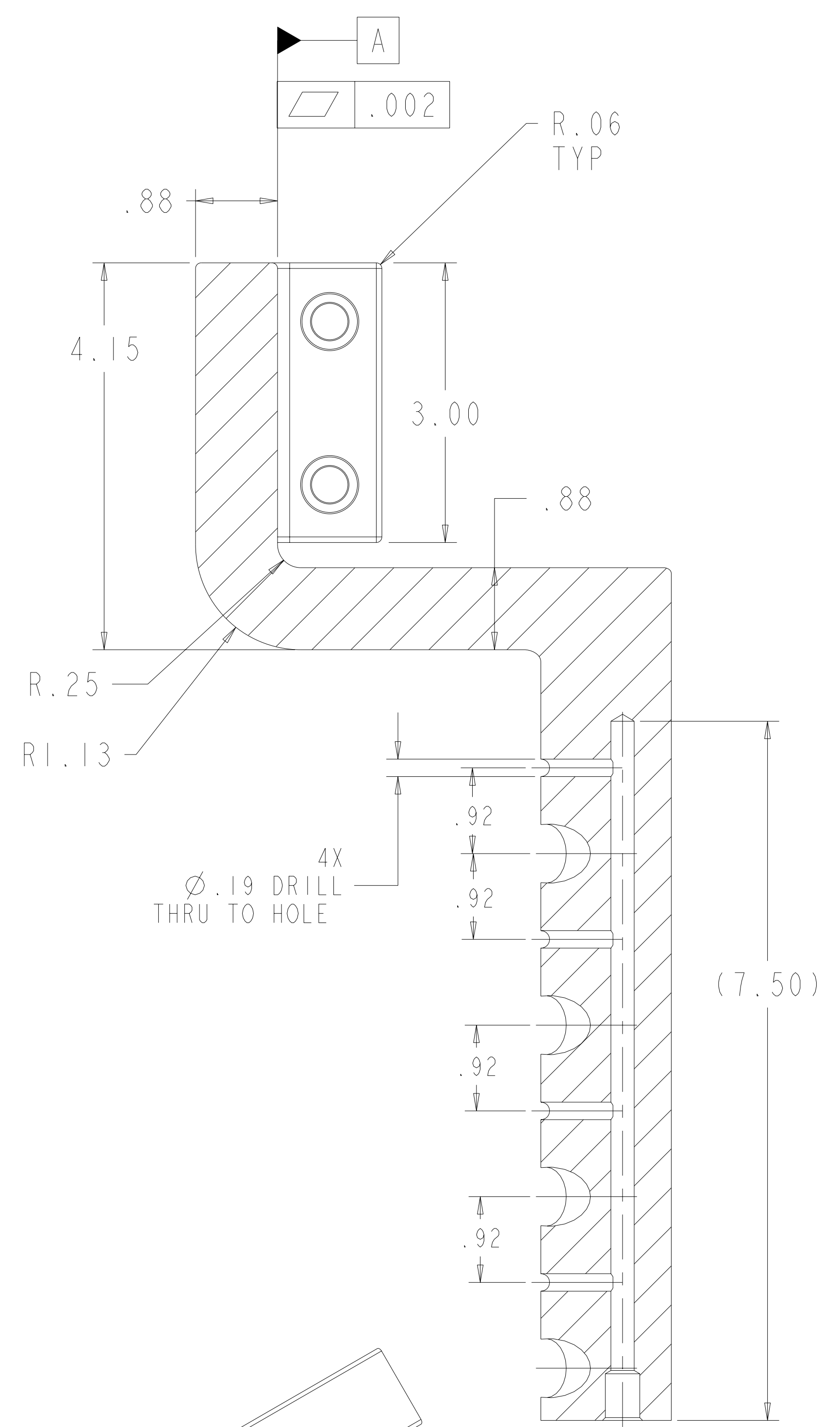
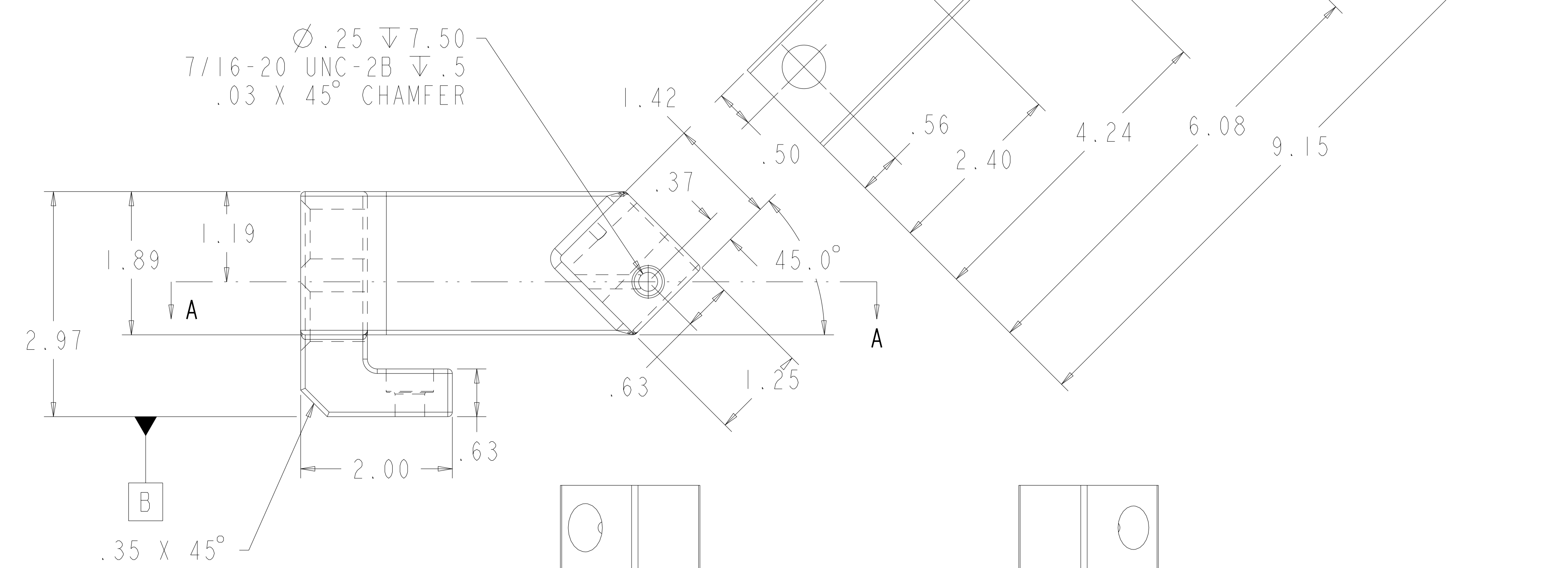
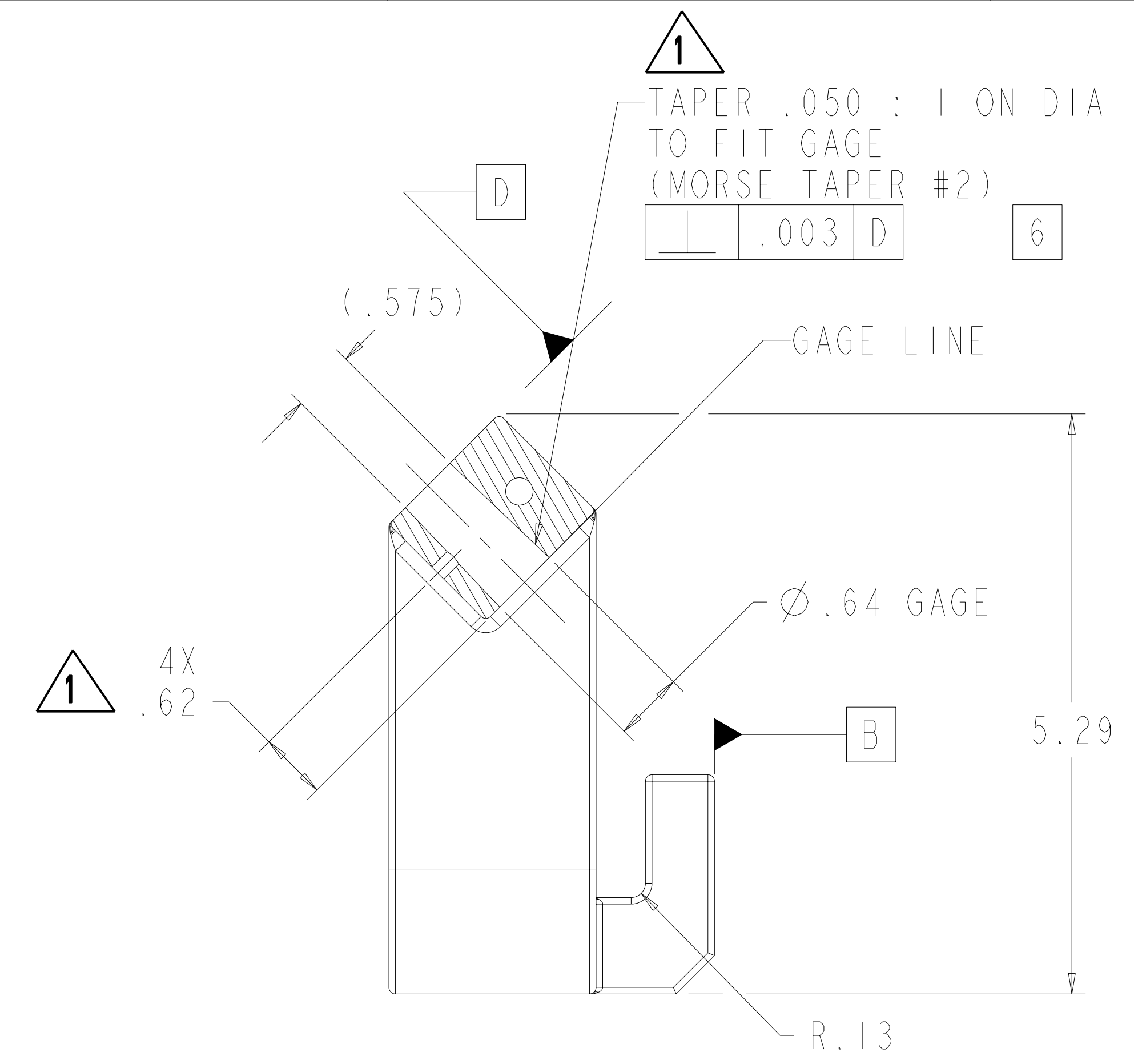


- NOTES:
1. INTERPRET DIMENSIONS AND TOLERANCES PER ANSI Y14.5M
  2. DIMENSIONS ARE IN INCHES
  3. DIMENSIONS APPLY AT ROOM TEMPERATURE. OPERATING TEMP 80 K.
  4. GEOMETRY IS DEFINED IN PRO ENGINEER CAD MODELS/FILES SEI42C-056.PRT
  5. DRAWING AND MODELS COMBINED DEFINE FINISHED MACHINED PART.
  6. SILVER PLATE 10 MICRON THICK PER ASTM B700 TYPE 1, GRADE C, CLASS S. APPLY NICKEL INTERMEDIATE LAYER >1 MICRON THICK IMMEDIATELY AFTER CLEANING BASE METAL AND BEFORE ELECTROPLATE. DIMENSIONS APPLY AFTER PLATING
  7. MARK DRAWING NO., ITEM NO., AND "SIDE B" ON PART IN APPROX .25 HIGH LEGIBLE CHARACTERS AT LOCATION SHOWN WITH STAMP OR VIBRO ETCH.



REV	DESCRIPTION	BY	DATE	CHK	DEPT	DATE	PE	REQ	DATE	ORNL	DOE	DATE
1	REVISE PART AND DRAWING PER ECN 5140	GLL	7-06	MJC			DEW					
0	INITIAL RELEASE	GLL	6-05				DEW					

SCALE NOTED	DES	DRW	CHK	SECT	DEPT	PE	CR	PJ	RED	FINISH	PPPL	DRFT	J	SIEGEL	05/05
TOLERANCES UNLESS OTHERWISE SPECIFIED	P	FOGARTY	G	LOVETT	M	COLE									
FRACTIONS ±.01															
XX DECIMALS ±.01															
XXX DECIMALS ±.005															
ANGLES ±0°15'															
BREAK SHARP EDGES OR MAX															
FINISH .125 UNLESS OTHERWISE SPECIFIED															

VERSION NO.	PLANT	BLDG	FL	SHT	OF	TYPE	CLASS
	X-10	5700	3	1	1	S	U

NO REPRESENTATION OR WARRANTY, EXPRESSED OR IMPLIED, IS MADE AS TO THE ACCURACY, COMPLETENESS OR USEFULNESS OF THE INFORMATION OR STATEMENTS CONTAINED IN THESE DRAWINGS, OR THAT THE USE OR DISCLOSURE OF ANY INFORMATION, APPARATUS, METHOD OR PROCESS DISCLOSED IN THESE DRAWINGS MAY NOT INFRINGE PRIVATE RIGHTS OF OTHERS. NO LIABILITY IS ASSUMED WITH RESPECT TO THE USE OF, OR FOR DAMAGES RESULTING FROM THE USE OF, ANY INFORMATION, APPARATUS, METHOD OR PROCESS DISCLOSED IN THESE DRAWINGS. DRAWINGS MADE AVAILABLE FOR INFORMATION TO BIDDERS ARE NOT TO BE USED FOR OTHER PURPOSES, AND ARE TO BE RETURNED UPON REQUEST OF THE FORWARDING CONTRACTOR.

**P** THIS DRAWING PRODUCED ON PRO-ENGINEER

SCALE 1 : 1

REV	DESCRIPTION	BY	DATE	CHK	DEPT	DATE	PE	REQ	DATE	ORNL	DOE	DATE
1	REVISE PART AND DRAWING PER ECN 5140	GLL	7-06	MJC			DEW					
0	INITIAL RELEASE	GLL	6-05				DEW					

SEI42C-056

SEI42C-056

NATIONAL COMPACT STELLARATOR EXPERIMENT  
MODULAR COILTYPE-C  
LONGTERMINAL LUG  
DETAIL

UT-BATTELLE  
Oak Ridge National Laboratory  
managed for the DEPARTMENT OF ENERGY under  
U.S. GOVERNMENT CONTRACT DE-AC05-00OR22725  
UT-BATTELLE, LLC, Oak Ridge, Tennessee

TERMINAL LUG BLOCK  
(UNS C10100 ORC10200)  
MATERIAL / SPECIFICATION  
PARTS LIST

SCALE NOTED  
TOLERANCES UNLESS OTHERWISE SPECIFIED  
FRACTIONS ±.01  
XX DECIMALS ±.01  
XXX DECIMALS ±.005  
ANGLES ±0°15'  
BREAK SHARP EDGES OR MAX  
FINISH .125 UNLESS OTHERWISE SPECIFIED

next assy	AR	-1	TERMINAL LUG BLOCK	OFHC COPPER (UNS C10100 ORC10200)	I
SEI42C-050	CAGE CODE	PART OR IDENTIFYING NO	NOMENCLATURE OR DESCRIPTION	MATERIAL / SPECIFICATION	FIND NO
		NEXT ASSEMBLY		PARTS LIST	