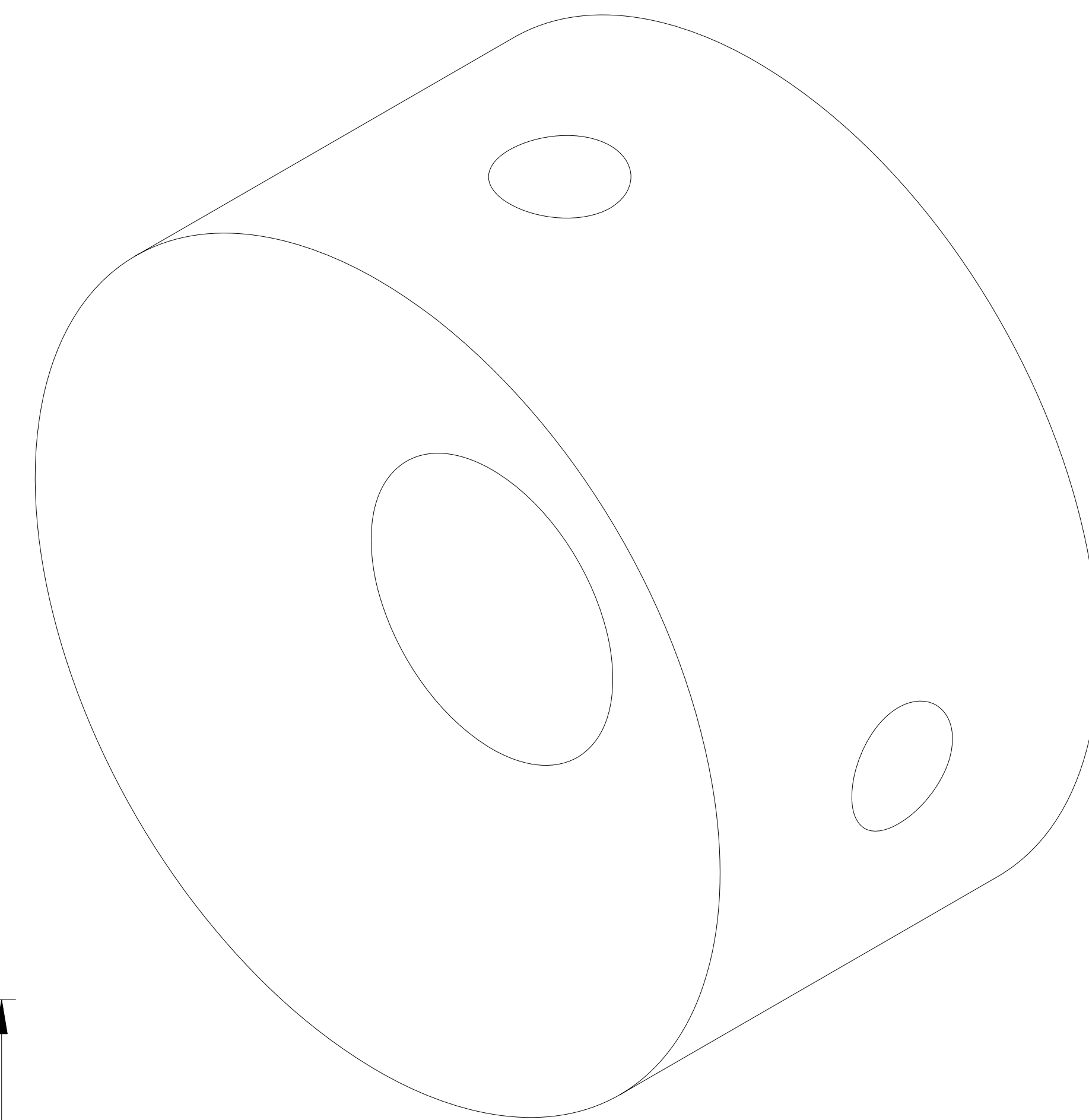
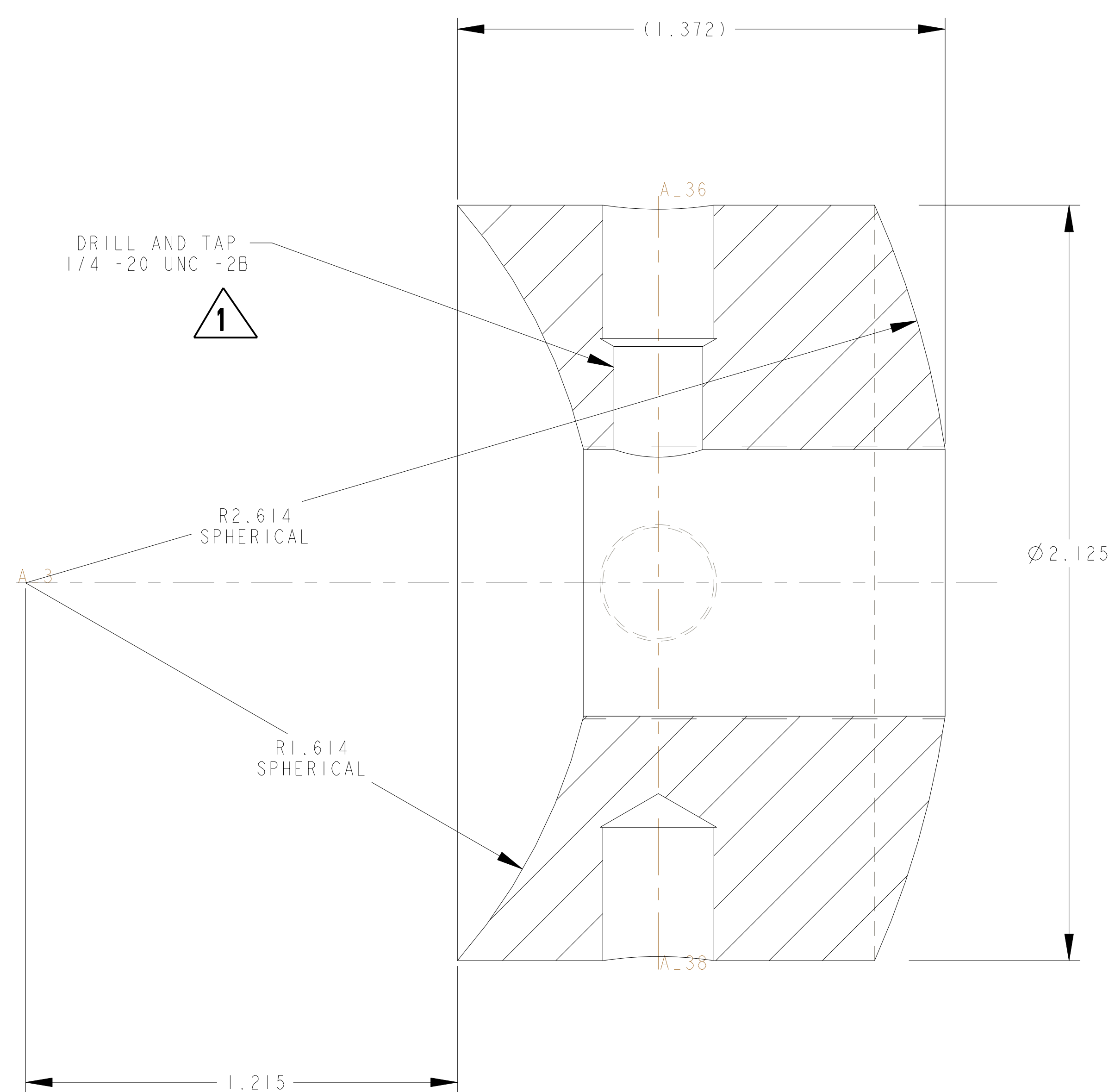
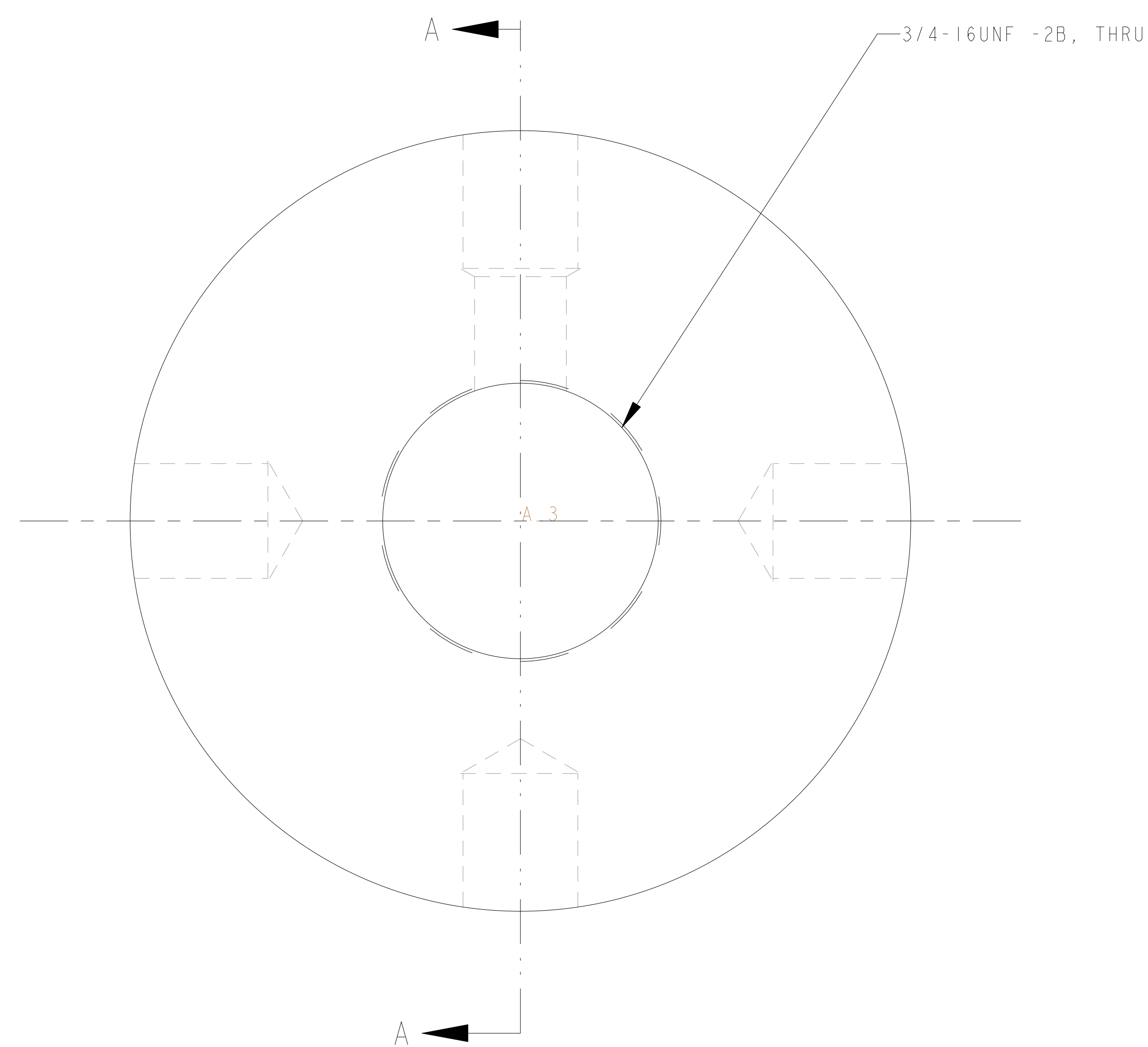
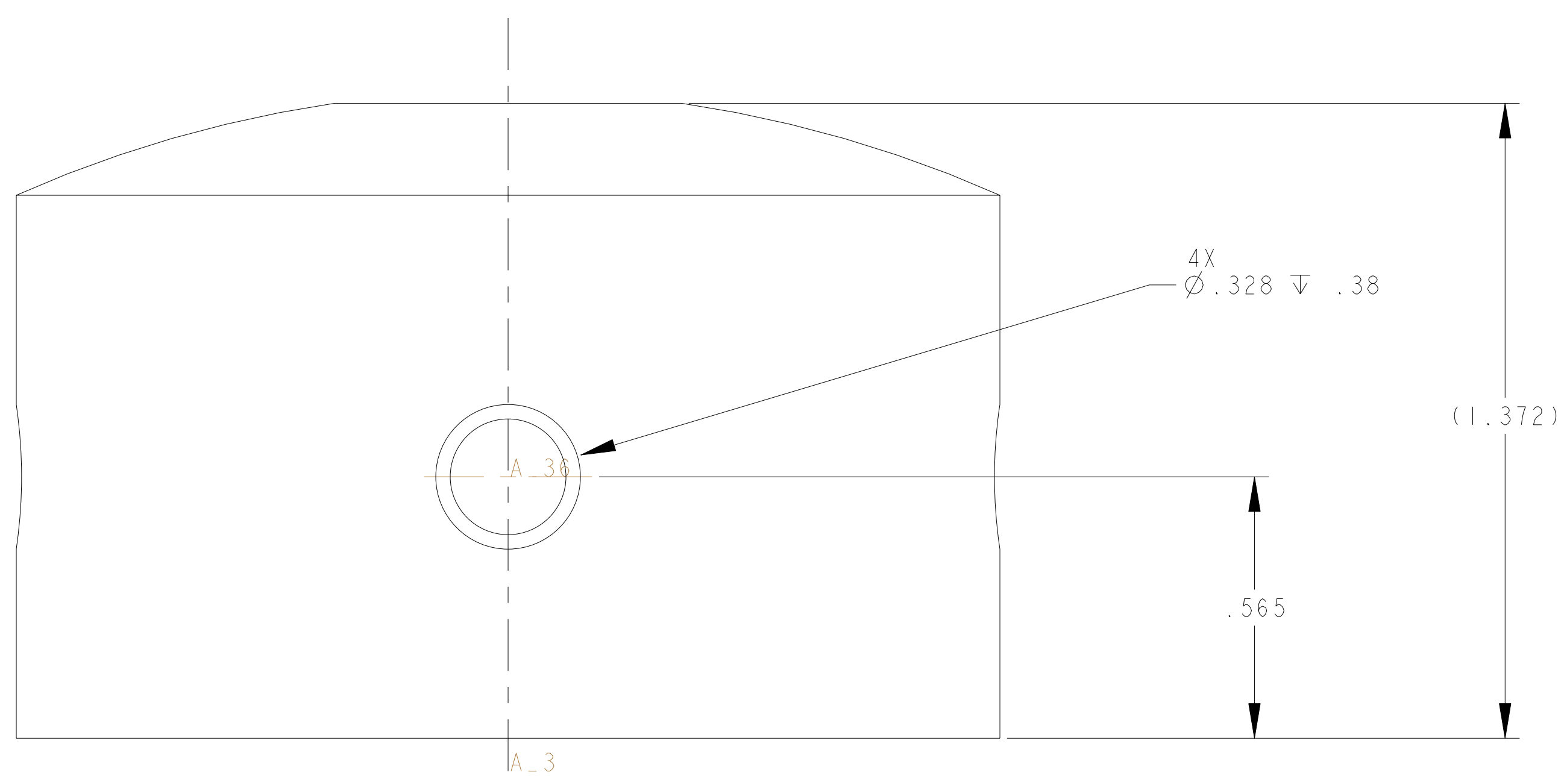


NOTES:

- 1. INTERPRET DIMENSIONS AND TOLERANCES PER ANSI Y14.5M
- 2. DIMENSIONS ARE IN INCHES
- 3. DIMENSIONS APPLY AT TEMPERATURE OF 20-30°C (68-86°F)
- 4. DRAWING DEPICTS FINAL MACHINED STATE OF PART DEFINED BY PRO/ENGINEER FILE SE124-034.PRT
- 5. APPROXIMATE WEIGHT= 0.52 lbs.



ISOMETRIC VIEW

SECTION A-A

next assy	CAGE CODE	PART OR IDENTIFYING NO	NOMENCLATURE OR DESCRIPTION	MATERIAL	SPECIFICATION	FIND NO
SE124-051			VERTICAL UPPER SUPPORT SPHERICAL NUT	TITANIUM 6AL-4V		
			NEXT ASSEMBLY			

PARTS LIST

SCALE 4:0

NO REPRESENTATION OR WARRANTY, EXPRESSED OR IMPLIED, IS MADE AS TO THE ACCURACY, COMPLETENESS OR USEFULNESS OF THE INFORMATION OR STATEMENTS CONTAINED IN THESE DRAWINGS, OR THAT THE USE OR DISCLOSURE OF ANY INFORMATION, APPARATUS, METHOD OR PROCESS DISCLOSED IN THESE DRAWINGS MAY NOT INFRINGE PRIVATE RIGHTS OF OTHERS. NO LIABILITY IS ASSUMED WITH RESPECT TO THE USE OF, OR FOR DAMAGES RESULTING FROM THE USE OF, ANY INFORMATION, APPARATUS, METHOD OR PROCESS DISCLOSED IN THESE DRAWINGS. DRAWINGS MADE AVAILABLE FOR INFORMATION TO BIDDER ARE NOT TO BE USED FOR OTHER PURPOSES, AND ARE TO BE RETURNED UPON REQUEST OF THE FORWARDING CONTRACTOR.

THIS DRAWING PRODUCED ON PRO-ENGINEER

REV	DESCRIPTION	BY	DATE	CHK	DEPT	DATE	PE	REQ	DATE	ORNL	DOE	DATE
1	REVISE PART AND DRAWING PER ECN 5283	GLL	09/07	PG		09/07						
0	ORIGINAL ISSUE	GHJ	3/3/05									

SCALE	NOTED	DES	DATE	DRW	DATE	CHK	DATE	SECT	DEPT	PE	CR	PJ	REG	PPPL	DOFT	VERSION NO.	PLANT	BLDG	FL	SHT	OF	TYPE	CLASS
		PAUL MILLER	08-17-04	PAUL MILLER	08-17-04	J.M.RAY	04-07-05									2	X-10	5700	3	1	1	S	U

UT-BATTELLE
 NATIONAL COMPACT STELLARATOR EXPERIMENT
 VERTICAL UPPER SUPPORT SPHERICAL NUT
 DETAIL

SE124-034

SE124-034