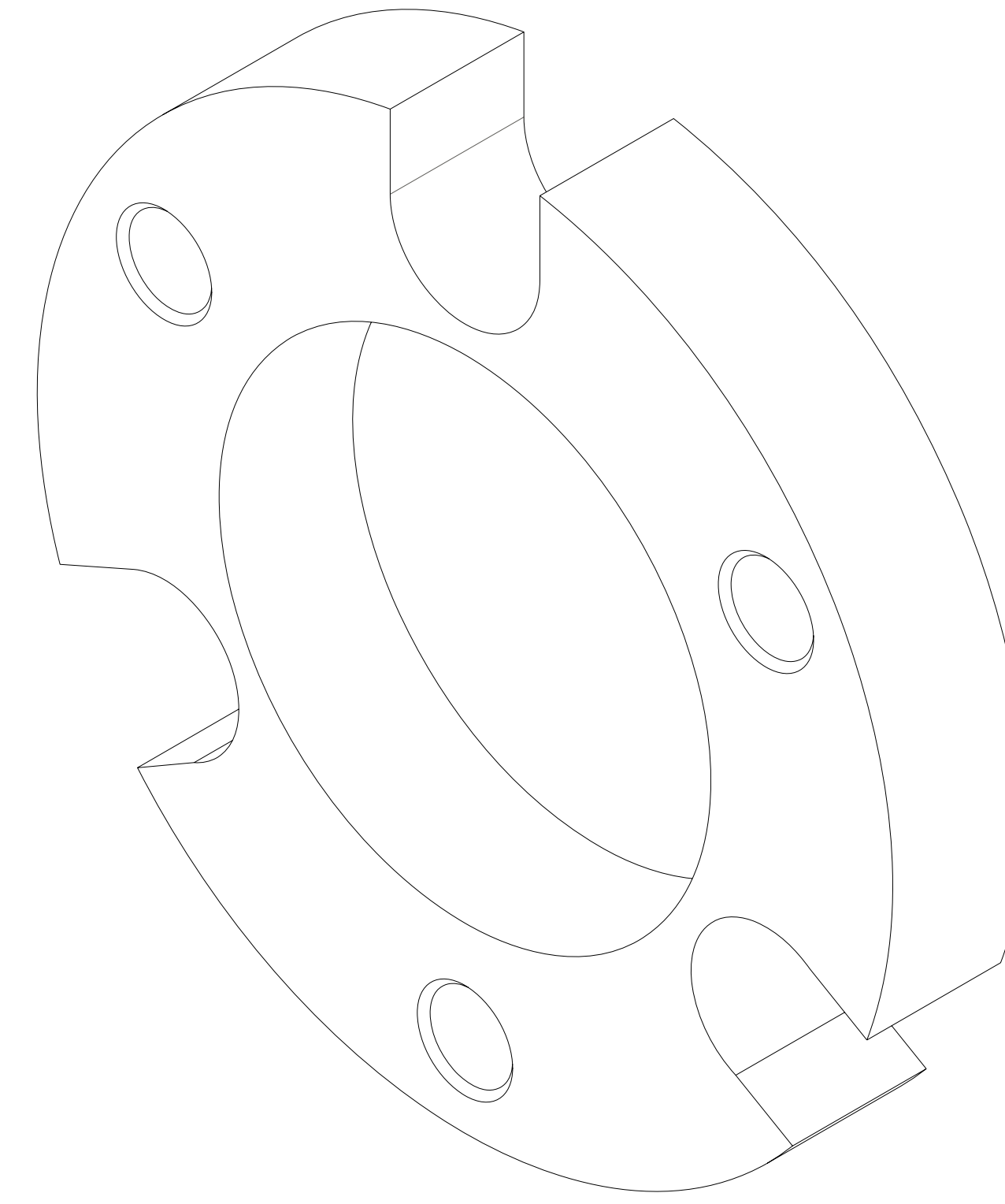
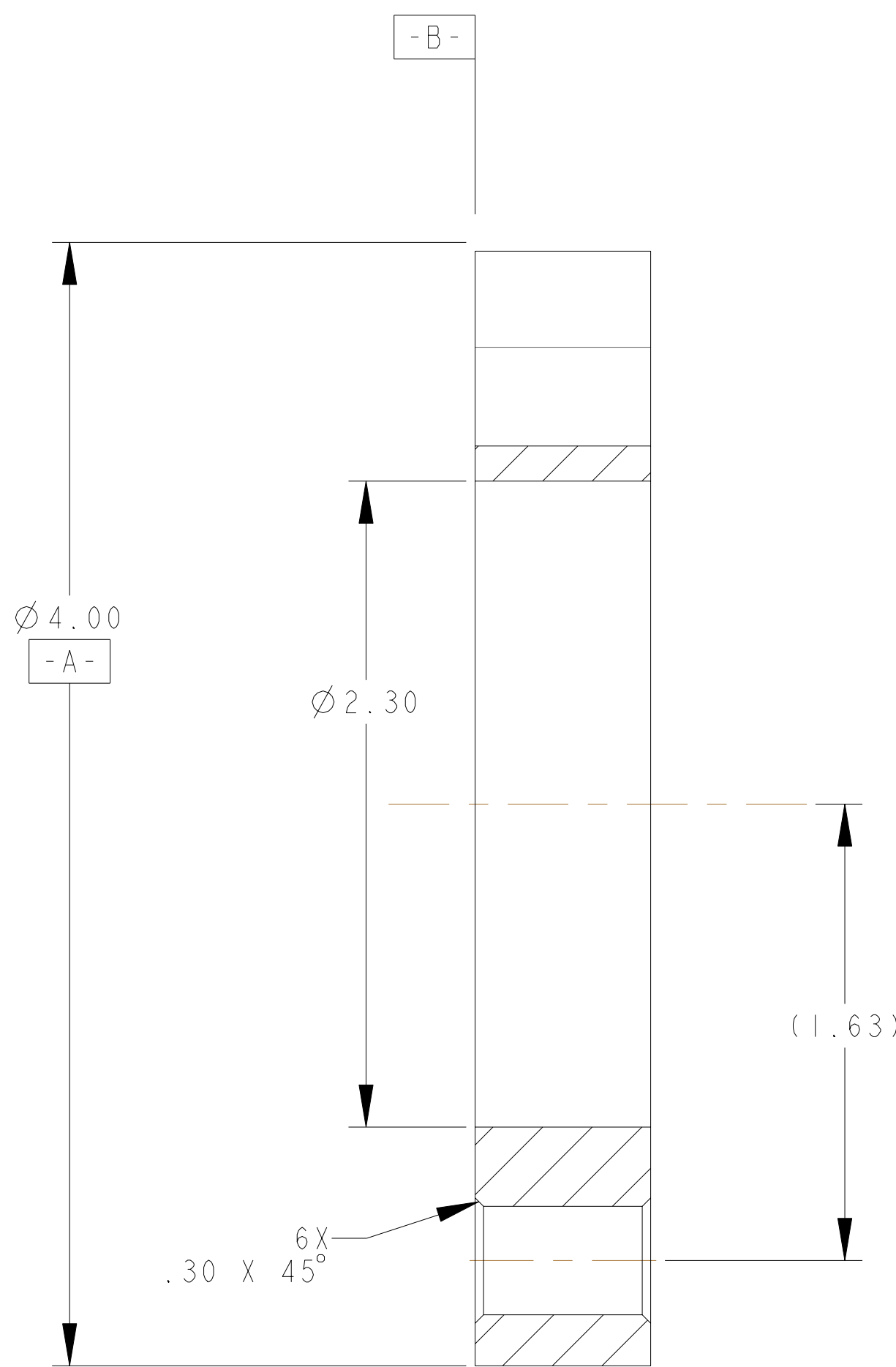


SCALE: 2.00



ISOMETRIC VIEW



SECTION A-A

NOTES:

1. INTERPRET DIMENSIONS AND TOLERANCES PER ANSI Y14.5M
2. DIMENSIONS ARE IN INCHES
3. DIMENSIONS APPLY AT TEMPERATURE OF 20-30°C (68-86°F)
4. DRAWING DEPICTS FINAL MACHINED STATE OF PART DEFINED BY PRO/ENGINEER FILE SE124-076.PRT
5. APPROXIMATE WEIGHT= 2.26 lbs.

REV	DESCRIPTION	BY	DATE	CHK	DEPT	DATE	PE	REQ	DATE	ORNL	DOE	DATE
0	ORIGINAL ISSUE	GHJ	3/3/05									

AR	CAGE CODE	PART OR IDENTIFYING NO	NOMENCLATURE OR DESCRIPTION	MATERIAL	SPECIFICATION	FIND NO
SE124-076		-1	VERTICAL SPACER	NEMA GRADE GIOCR		

← NEXT ASSEMBLY

PARTS LIST

SCALE	NOTED	DES	PAUL GORANSON	09/07	UT-BATTELLE NATIONAL COMPACT STELLARATOR EXPERIMENT VERTICAL UPPER SUPPORT SPACER DETAIL	Oak Ridge National Laboratory managed for the DEPARTMENT OF ENERGY under U.S. GOVERNMENT contract DE-AC05-00OR22725 UT-BATTELLE, LLC, Oak Ridge, Tennessee PROJECT NAME
FRACTIONS	± .01	DRW	GARY LOVETT	09/07		
XX DECIMALS	± .01	CHK	R MOON	09/07		
XXX DECIMALS	± .005	SECT				
ANGLES	±0°15'	DEPT			VERSION NO.	7
FINISH	.125 UNLESS OTHERWISE SPECIFIED	PE			PLANT	X-10
		CR			BLDG	5700
		PJ			FL	3
		REG			SHT OF	1
					TYPE	S
					CLASS	U
					REV	0

PPPL DRFT J SIEGLE 09/07

DRAWING APPROVALS DATE

RELEASE LEVEL WIP

SE124-076

NO REPRESENTATION OR WARRANTY, EXPRESSED OR IMPLIED, IS MADE AS TO THE ACCURACY, COMPLETENESS OR USEFULNESS OF THE INFORMATION OR STATEMENTS CONTAINED IN THESE DRAWINGS, OR THAT THE USE OR DISCLOSURE OF ANY INFORMATION, APPARATUS, METHOD OR PROCESS DISCLOSED IN THESE DRAWINGS MAY NOT INFRINGE PRIVATE RIGHTS OF OTHERS. NO LIABILITY IS ASSUMED WITH RESPECT TO THE USE OF, OR FOR DAMAGES RESULTING FROM THE USE OF, ANY INFORMATION, APPARATUS, METHOD OR PROCESS DISCLOSED IN THESE DRAWINGS. DRAWINGS MADE AVAILABLE FOR INFORMATION TO BIDDER ARE NOT TO BE USED FOR OTHER PURPOSES, AND ARE TO BE RETURNED UPON REQUEST OF THE FORWARDING CONTRACTOR.

**P** THIS DRAWING PRODUCED ON PRO-ENGINEER

H  
G  
F  
E  
D  
C  
B  
A

SE124-076