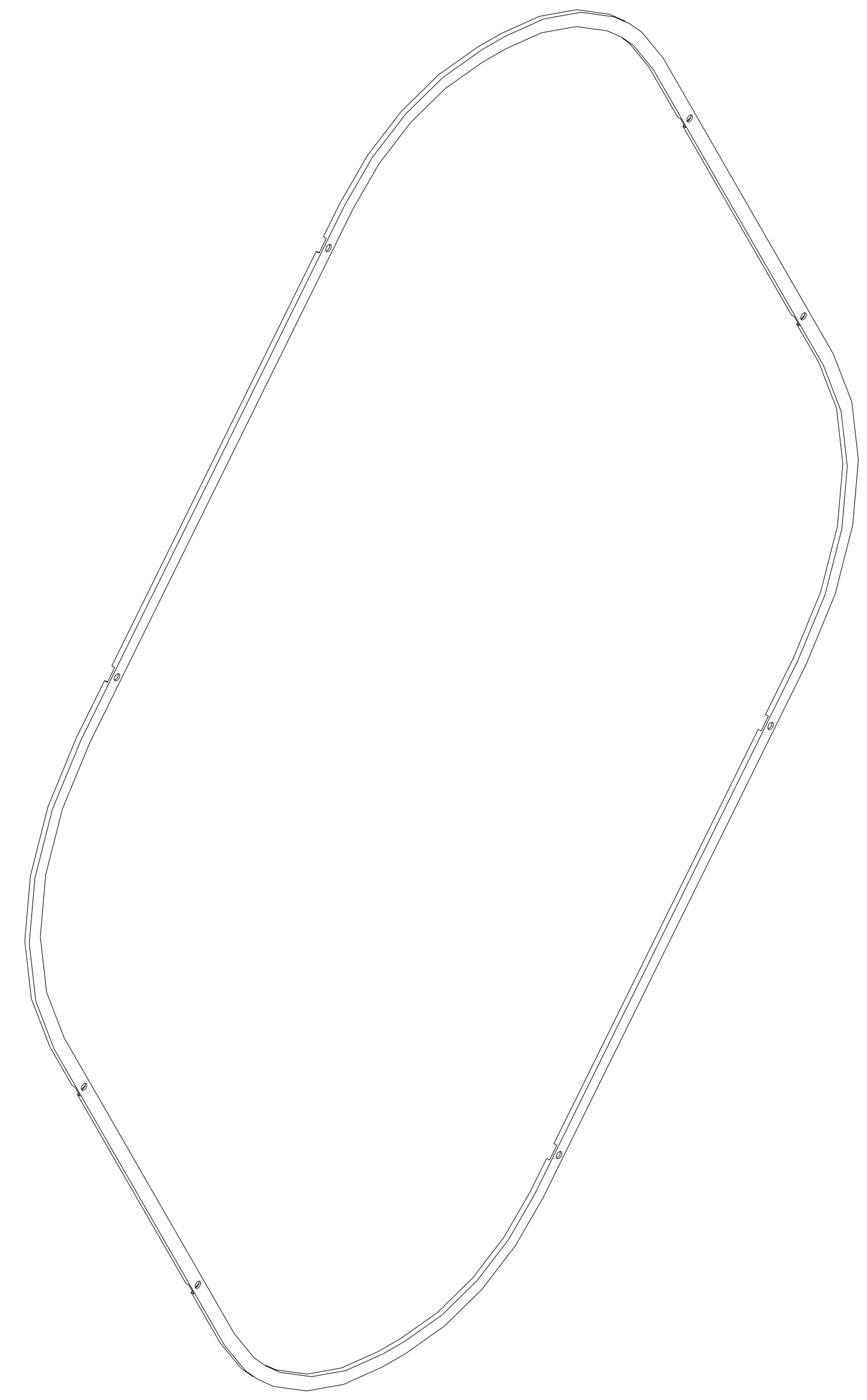
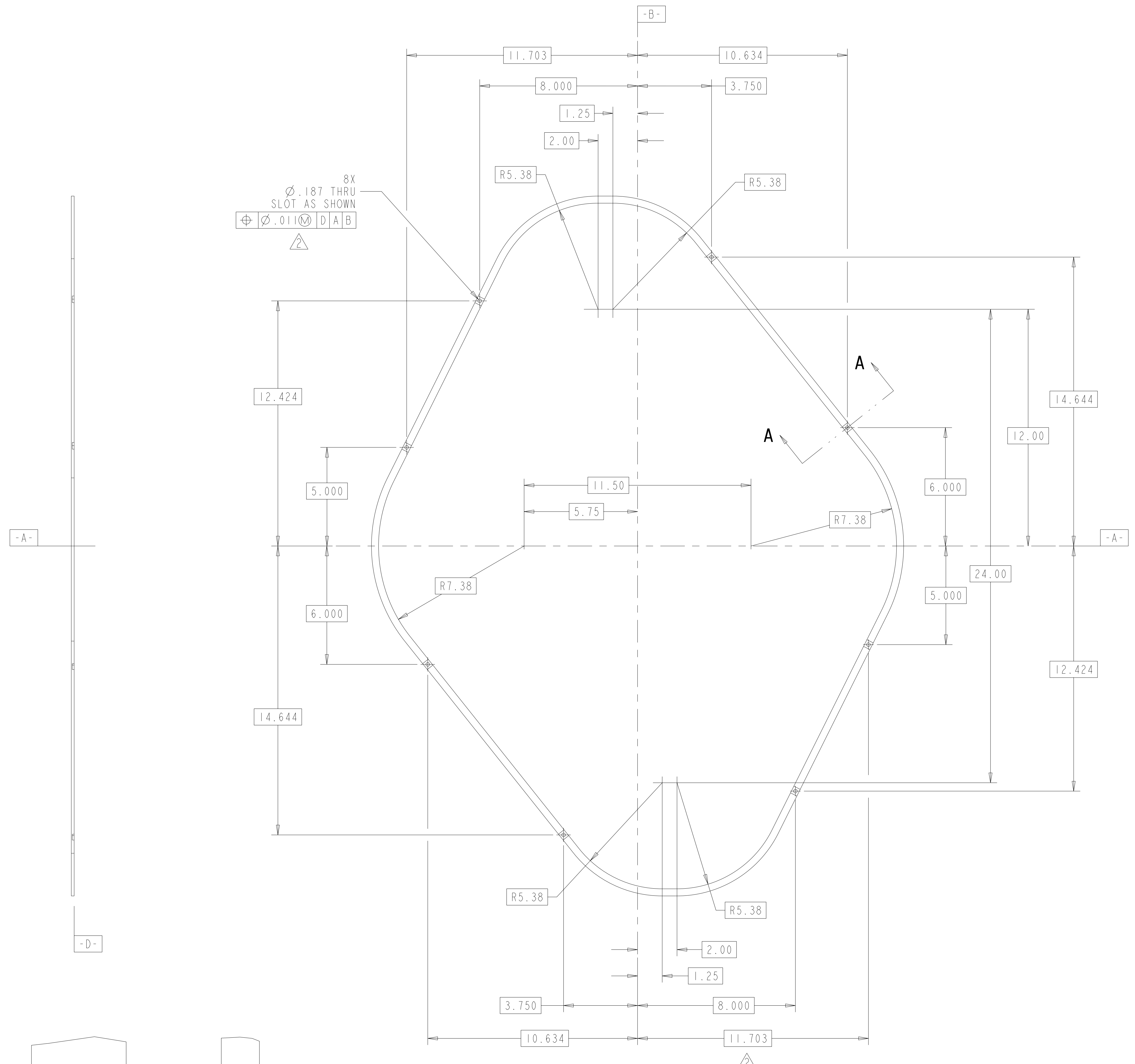
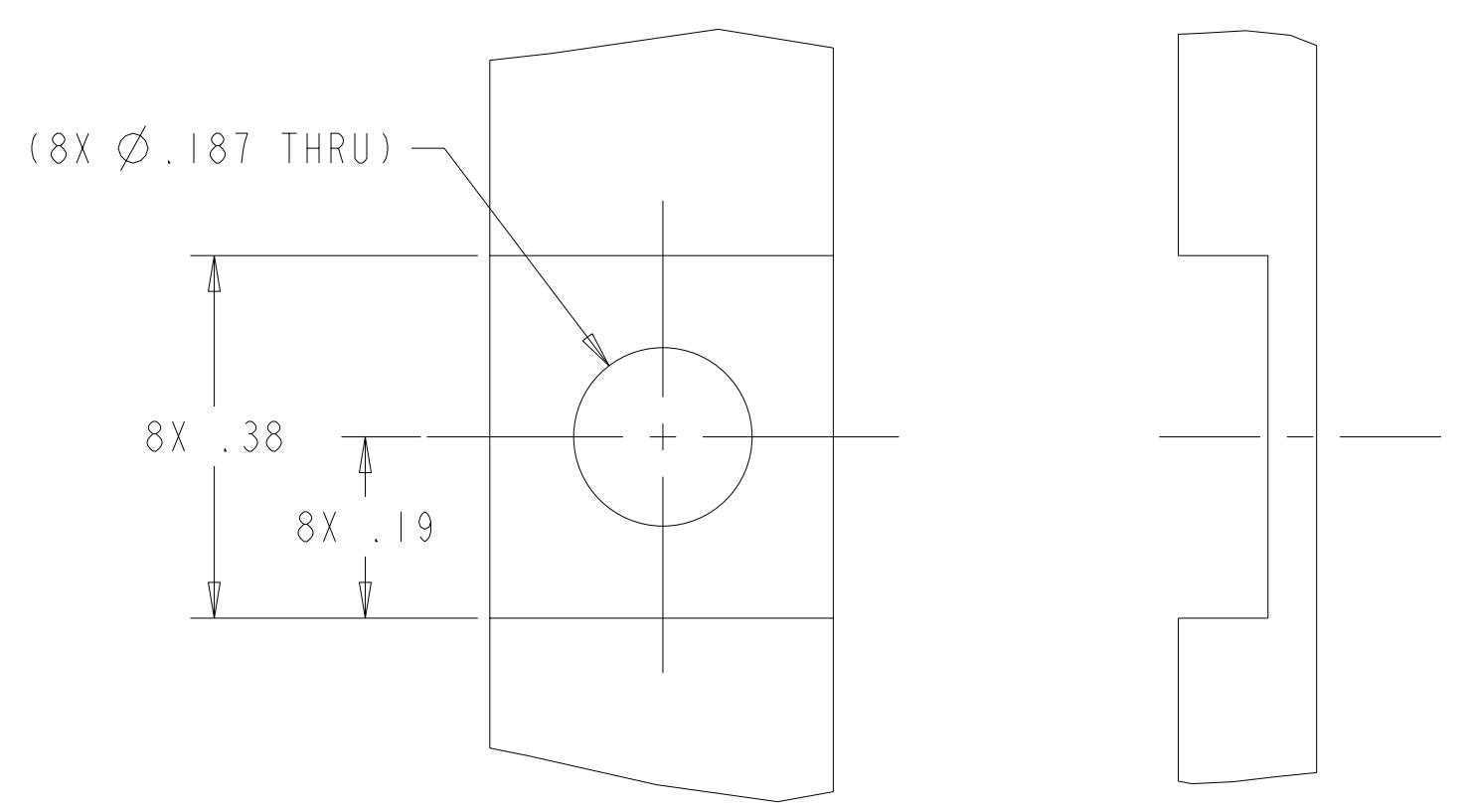


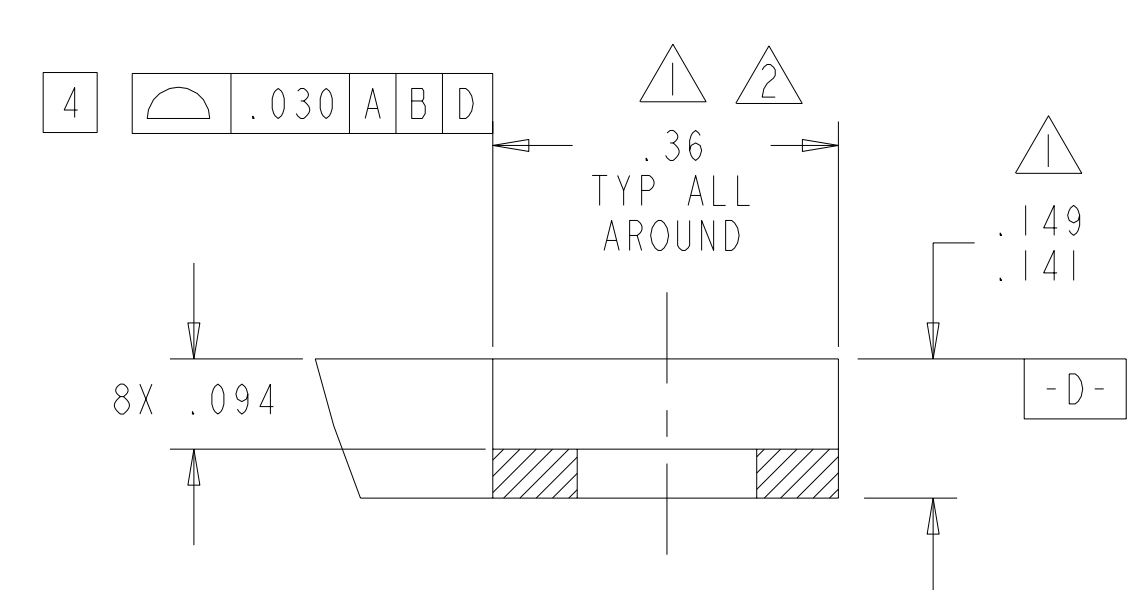
- NOTES:
1. INTERPRET DIMENSIONS AND TOLERANCES PER ANSI Y14.5M
 2. DIMENSIONS ARE IN INCHES
 3. FABRICATION, INSPECTION, AND TESTING SHALL BE PERFORMED IN ACCORDANCE WITH SPECIFICATION NCSX-CSPEC-121-02 AND STATEMENT OF WORK NCSX-SOW-121-03.
 4. PROFILE TOLERANCE IS BILATERAL; HALF OF LISTED VALUE ON EITHER SIDE OF REFERENCE SURFACE.



ISOMETRIC VIEW



SECTION A-A
SCALE 5.000



SECTION D-D
SCALE 5.000

AR	CAGE CODE	PART OR IDENTIFYING NO	NOMENCLATURE OR DESCRIPTION	MATERIAL	SPECIFICATION	FIND NO
SE122-173			PORT NB SEAL RETAINER DETAIL	UNS N06625		
PARTS LIST						
NEXT ASSEMBLY						

REV	DESCRIPTION	BY	DATE	CHK	DEPT	DATE	PE	REG	DATE	ORNL	DOE	DATE
2	REVISED PER ECN-5067 HOLE LOCATIONS WERE 2 PL DEC TOL WAS .012; ADDED MMC REMOVED BEVELED EDGES	SP	5/07	RLM								
1	REVISED PER ECN-4933 TOLERANCE WAS +.000 -.003 DIMENSION WAS 0.541	MJC	11/07/04	PLG								

SCALE NOTED	DES. P. GORANSON	5-27-04	UT-BATTELLE Oak Ridge National Laboratory managed for the DEPARTMENT OF ENERGY under U.S. GOVERNMENT CONTRACT DE-AC05-00OR22725 UT-BATTELLE, LLC, Oak Ridge, Tennessee PROJECT NAME NATIONAL COMPACT STELLARATOR EXPERIMENT VACUUM VESSEL PORT NB SEAL RETAINER DETAIL
TOLERANCES UNLESS OTHERWISE SPECIFIED	DRW. G. LOVETT	5-27-04	
FRACTIONS	CHK. D. SPARKS	6-03-04	
XX DECIMALS ±.01	DEPT. :	:	
XXX DECIMALS ±.005	FE :	:	
ANGLES ±0°15'	CR :	:	
BREAK SHARP EDGES 06 MAX	PJ :	:	
FINISH .125 UNLESS OTHERWISE SPECIFIED	RD :	:	
	PPPL DRFT J. SIEGEL	6/04	VERSION NO. 2+
			PLANT X-10
			BLDG 5700
			FL 3
			SHT 1
			OF 1
			TYPE S
			CLASS U
			RELEASE LEVEL WIP
			SE122-173
			REV 2

NO REPRESENTATION OR WARRANTY, EXPRESSED OR IMPLIED, IS MADE AS TO THE ACCURACY, COMPLETENESS OR USEFULNESS OF THE INFORMATION OR STATEMENTS CONTAINED IN THESE DRAWINGS, OR THAT THE USE OR DISCLOSURE OF ANY INFORMATION, APPARATUS, METHOD OR PROCESS DISCLOSED IN THESE DRAWINGS MAY NOT INFRINGE PRIVATE RIGHTS OF OTHERS. NO LIABILITY IS ASSUMED WITH RESPECT TO THE USE OF, OR FOR DAMAGES RESULTING FROM THE USE OF, ANY INFORMATION, APPARATUS, METHOD OR PROCESS DISCLOSED IN THESE DRAWINGS. DRAWINGS MADE AVAILABLE FOR INFORMATION TO BIDDER ARE NOT TO BE USED FOR OTHER PURPOSES, AND ARE TO BE RETURNED UPON REQUEST OF THE FORWARDING CONTRACTOR.

P THIS DRAWING PRODUCED ON PRO-ENGINEER