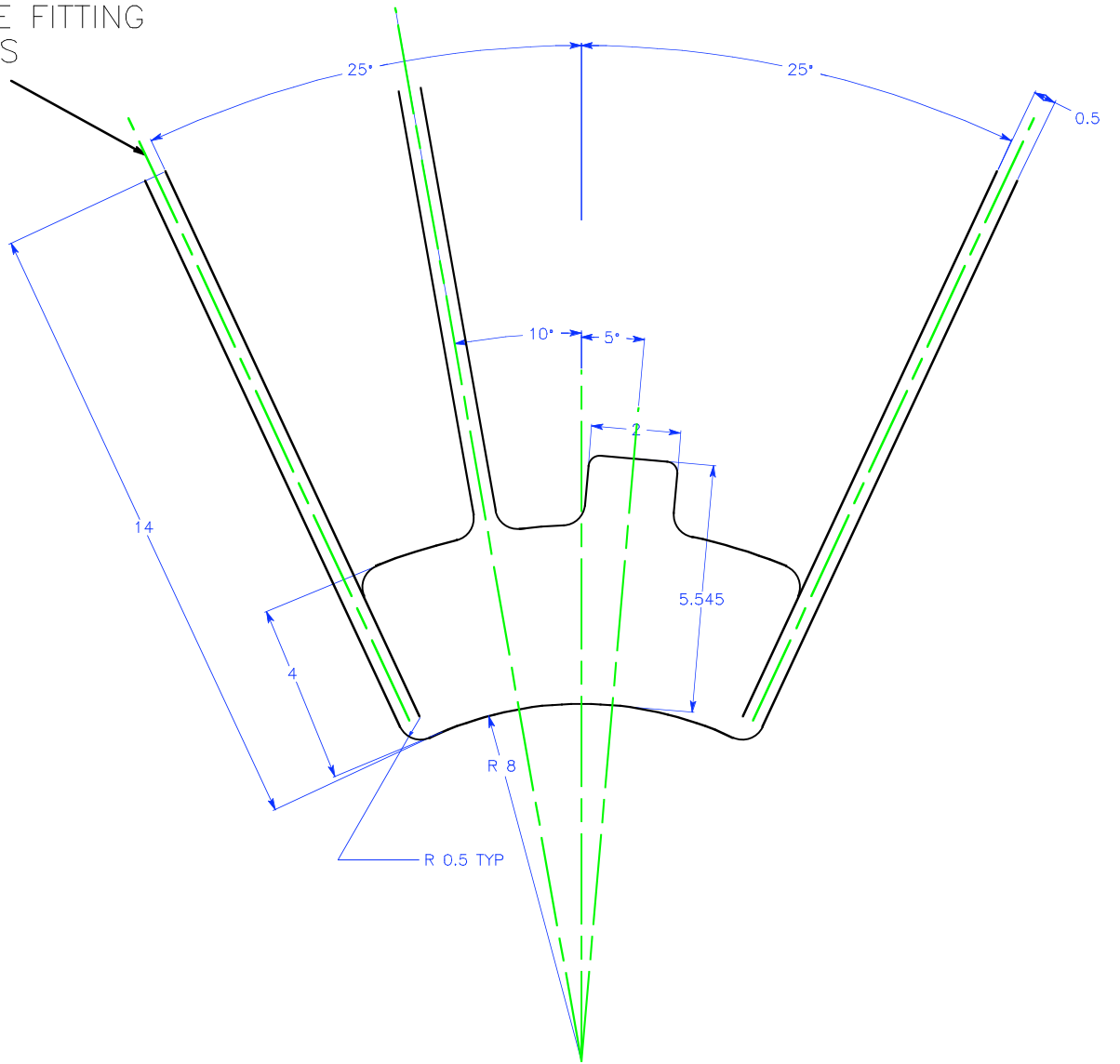
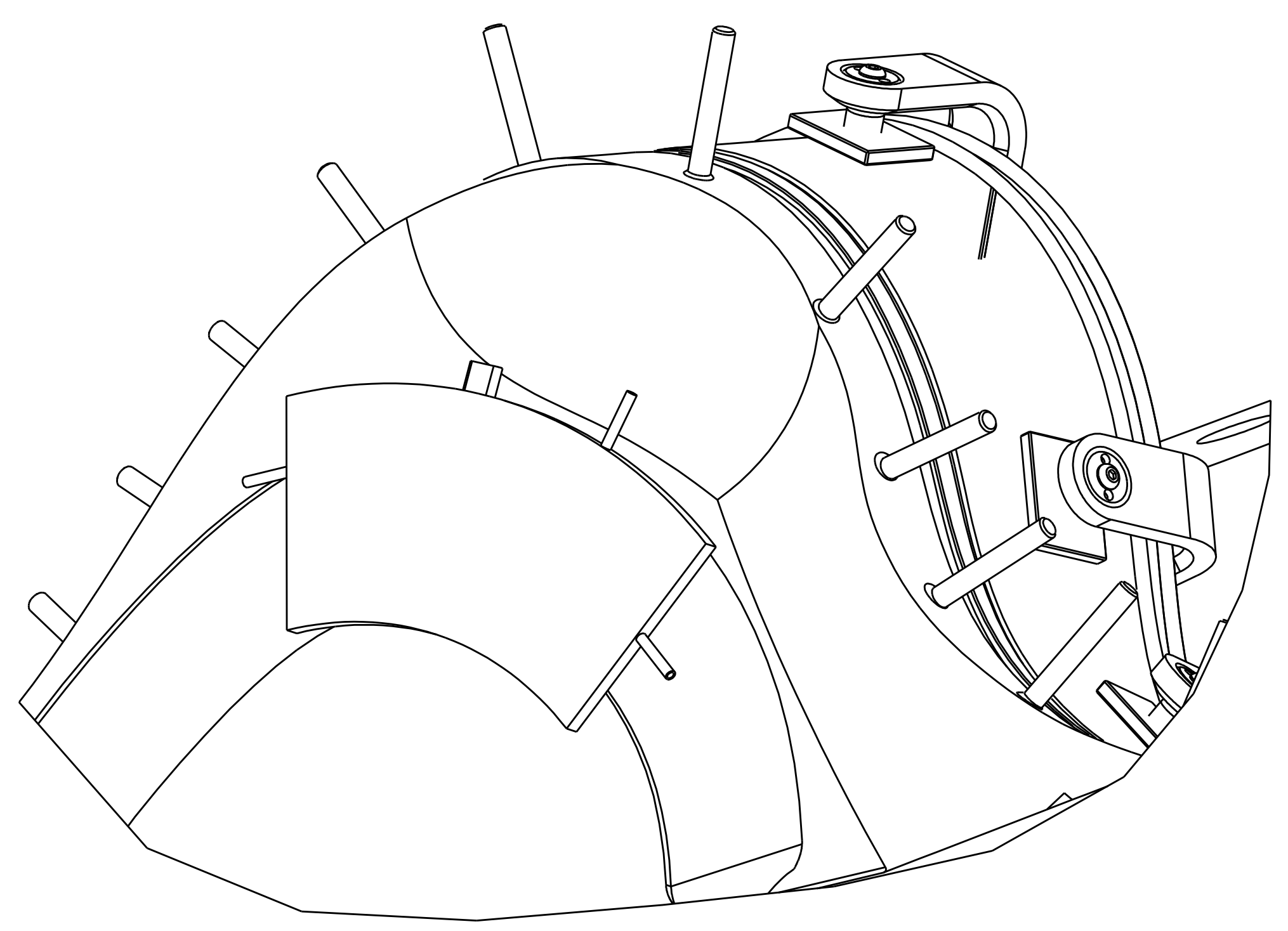


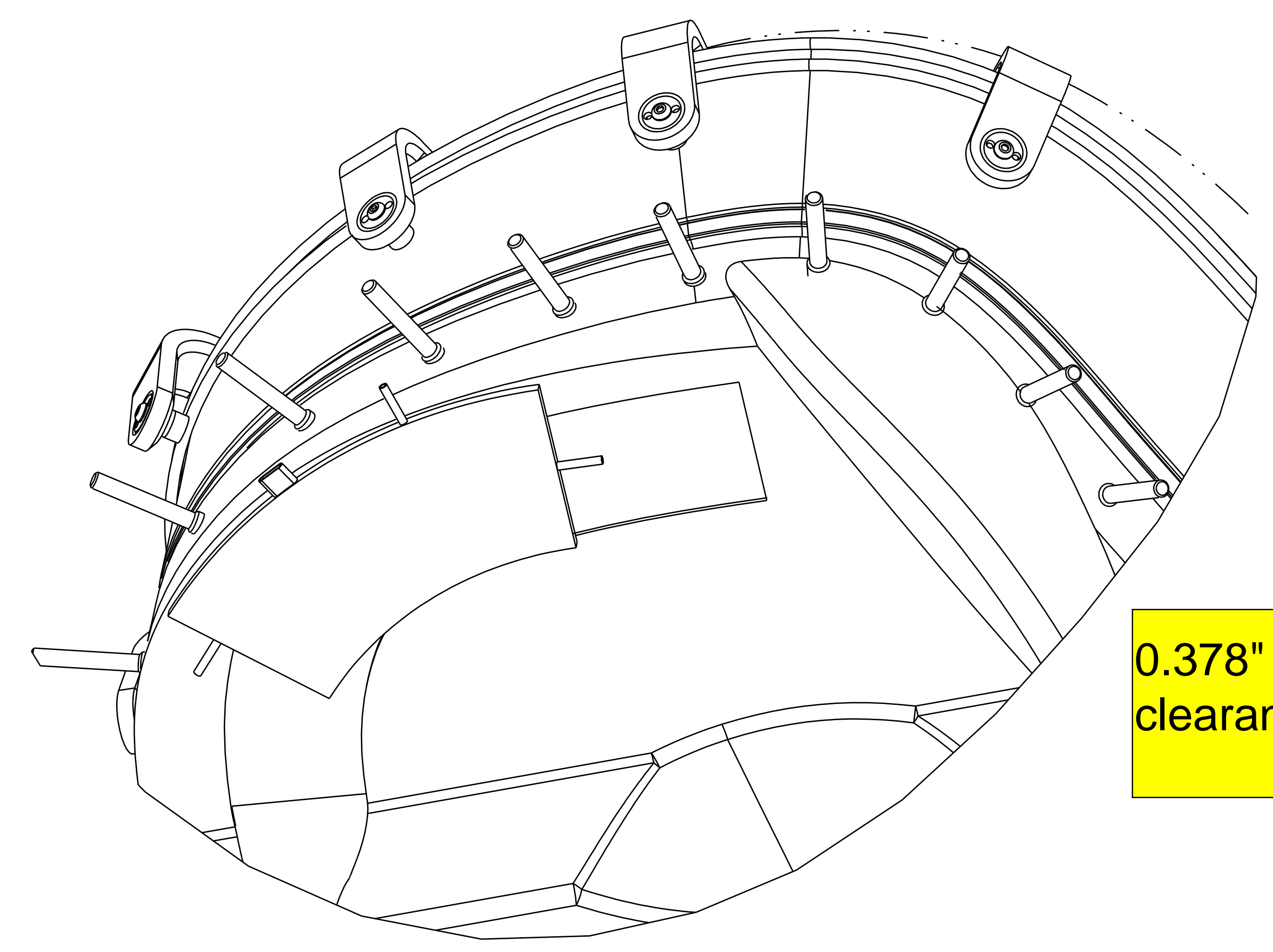
1/4" LURE FITTING
(3) PLACES





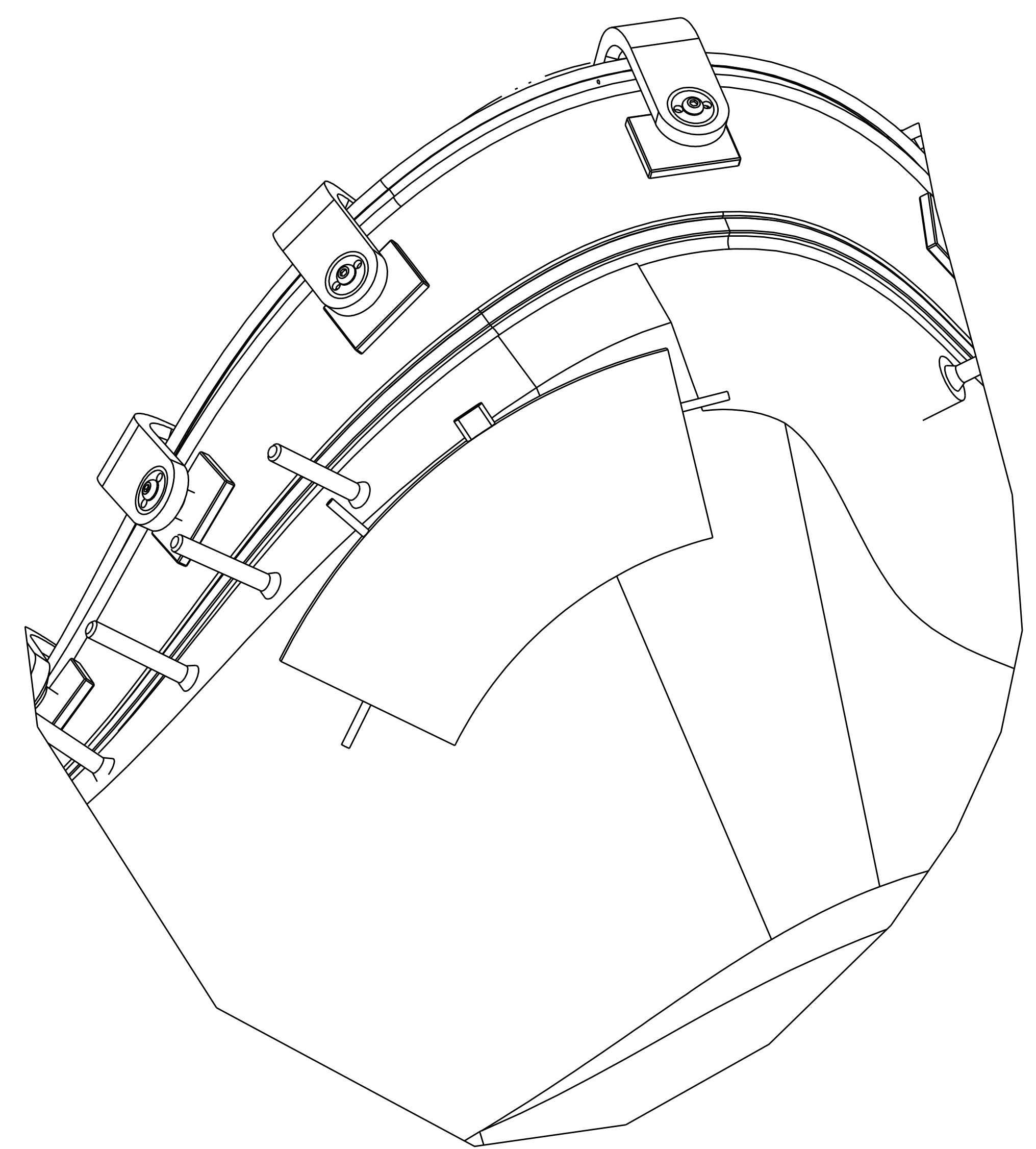
0.358" CAD space clearance

WING BLADDER BETWEEN A-B
A COIL -REF NUMBER 3
SCALE .50



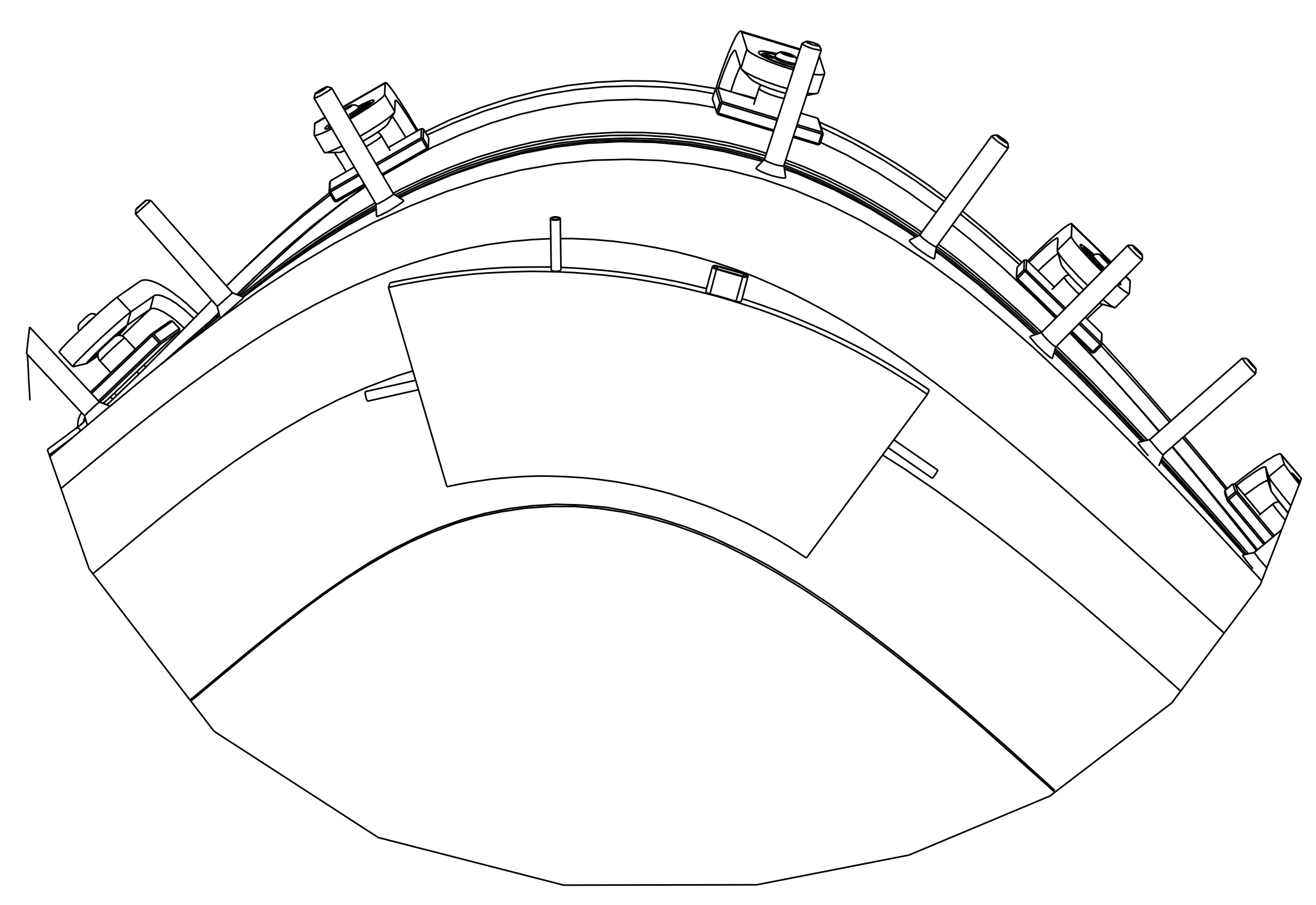
0.378" CAD space clearance

WING BLADDER BETWEEN A-B
B COIL -REF NUMBER 2
SCALE .50



0.25" CAD space clearance

WING BLADDER BETWEEN B-C
C COIL REF NUMBER 6
SCALE .50



0.368" CAD space clearance

WING BLADDER BETWEEN C-C
C COIL REF NUMBER 9
SCALE .50

Oak Ridge National Laboratory managed for the DEPARTMENT OF ENERGY under U.S. GOVERNMENT contract DE-AC05-00OR22725 UT-BATTELLE, LLC, Oak Ridge, Tennessee							
UT-BATTELLE							
NATIONAL COMPACT STELLARATOR EXPERIMENT							
WING SUPPORT BLADDER							
VERSION NO.	PLANT	BLDG	FL	SHT OF	TYPE	CLASS	
0+	ORNL	5700	3	2	2	S	U
RELEASE LEVEL		SEI40-050				REV	
WIP						0	

H
G
F
E
D
C
B
A