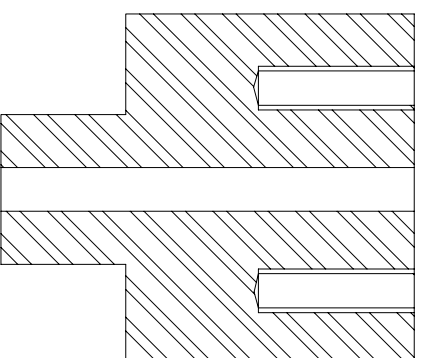
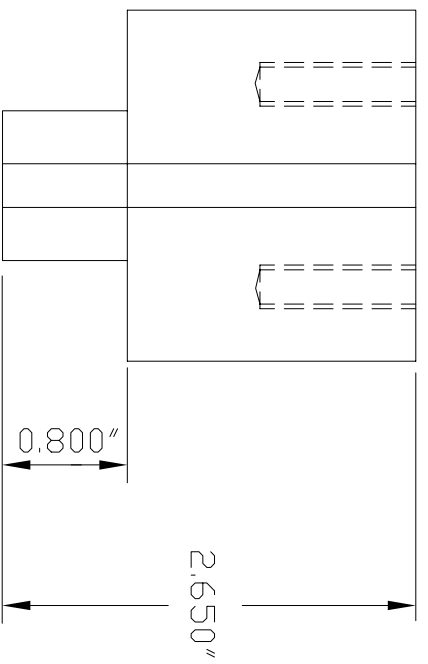
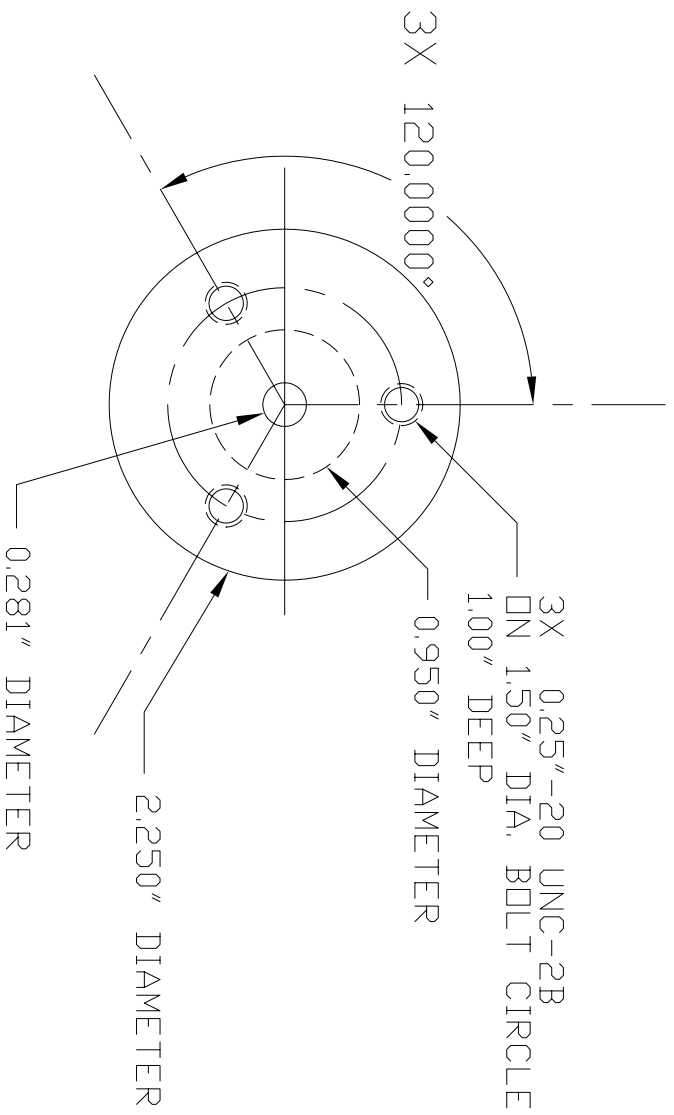


HOUSING



TOLERANCES
 XX DECIMALS +/- 0.020"
 XXX DECIMALS +/- 0.010"

MATERIAL
 ALUMINUM 6061