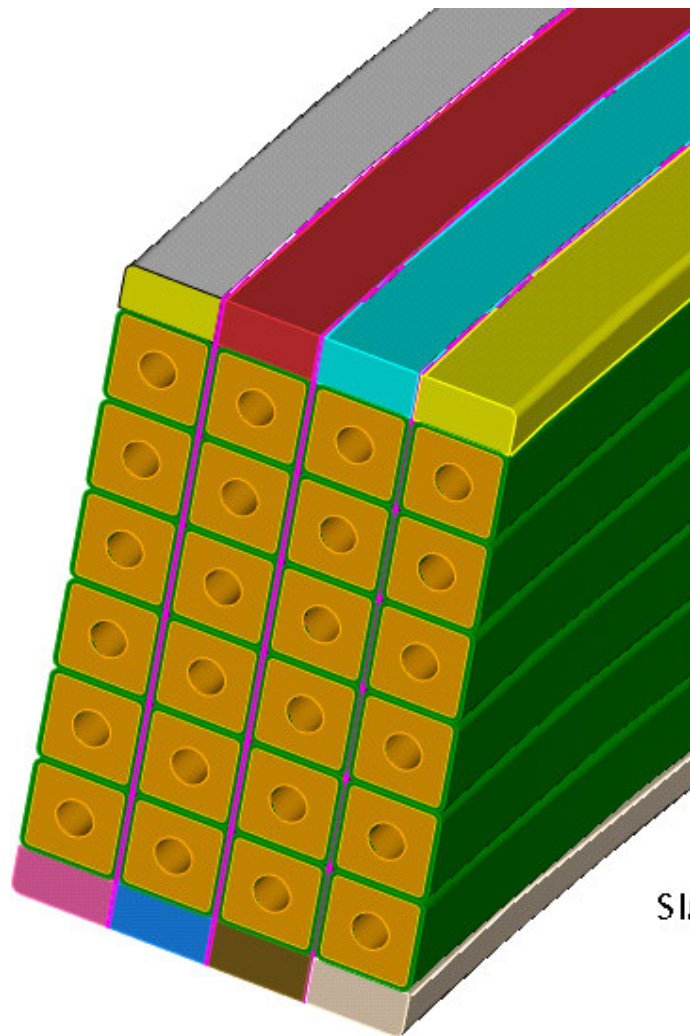
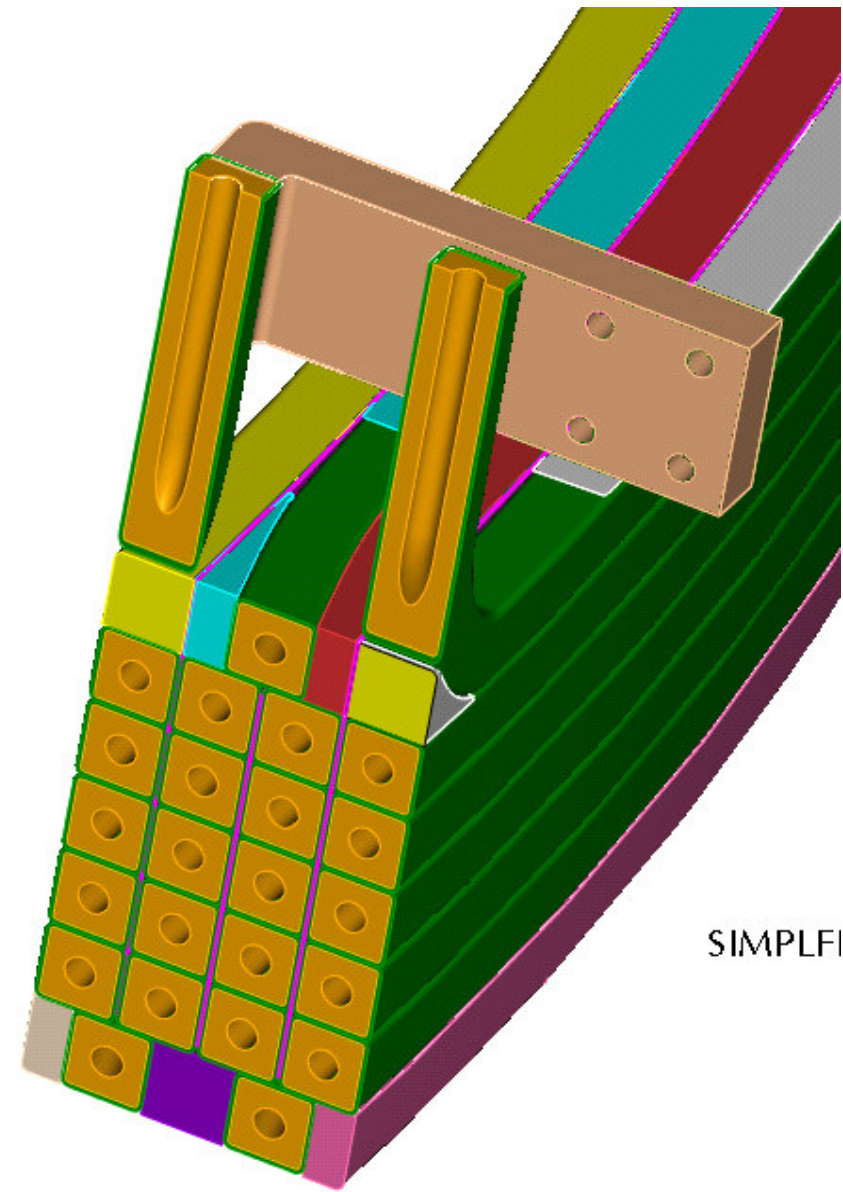


NO.	REVISION	BY	CH	SUP	APPROVED	DATE
-----	----------	----	----	-----	----------	------



Sli



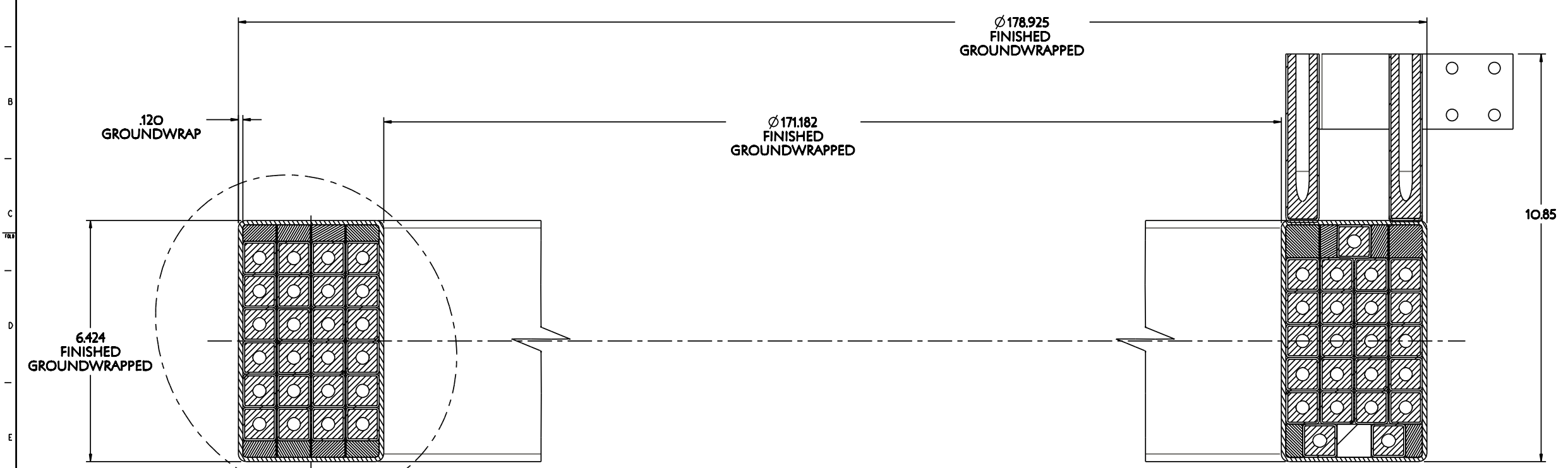
SIMPLFI

PART NO.	DRAWING NO	NOMENCLATURE OR DESCRIPTION	MATERIAL	QTY	RECD
<b>PARTS LIST</b>					
COMPUTER GENERATED DRAWING MANUAL CHANGES NOT PERMITTED		PRINCETON PLASMA PHYSICS LABORATORY PRINCETON UNIVERSITY <b>NATIONAL COMPACT STELLARATOR EXPERIMENT</b>			
WEIGHT 3326.7 lbs		STELLARATOR CORE CONVENTIONAL COILS PF-5 COIL ASSEMBLY			
MODEL NAME SE132-050		TOLERANCES NON-CUMULATIVE		DRAWING NO: <b>SE132-050</b>	
NEXT ASSEMBLY		DECIMAL-INCH	FRACTIONS	DESIGNED BY: RUSHINSKI	ENGR: M. KALISH
WELDING ENGINEER		.125	1/8	SHEET 1 OF 2	
		.005	1/32	REV D. 5	
		.001	1/64	NCSX_ASSY_FORMAT.E	
		ANGULAR ±.01	RADIUS ±.005		

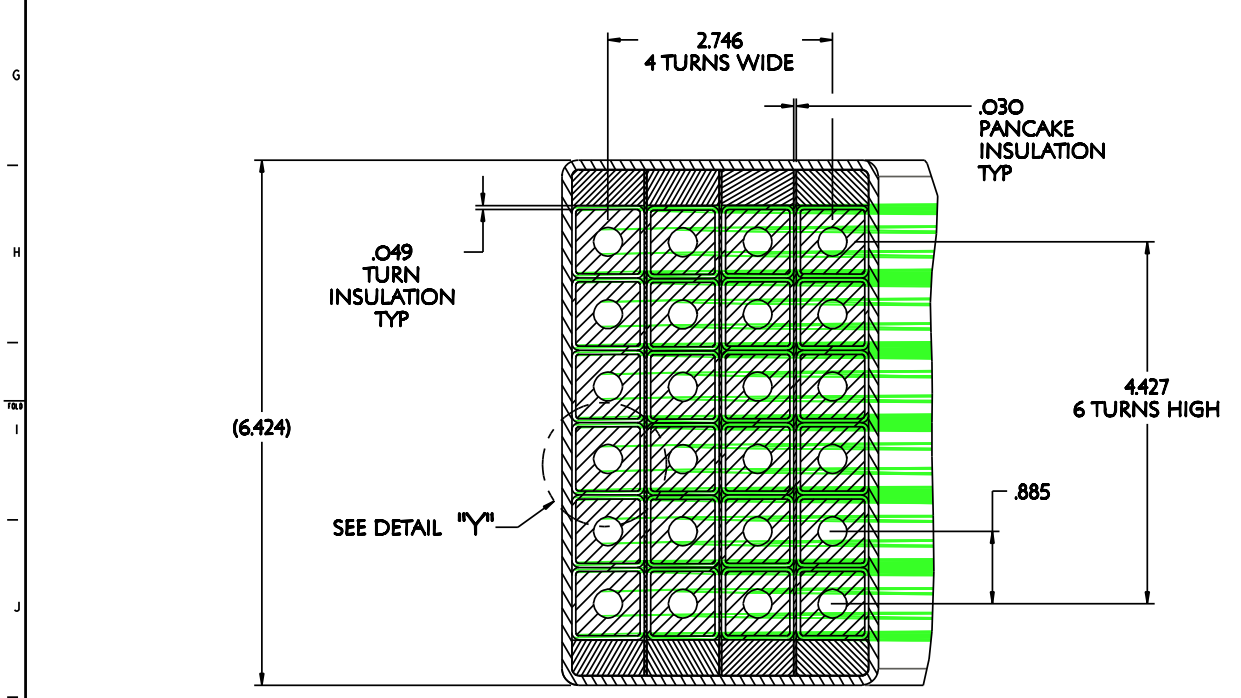
RELEASE LEVEL: WIP  
DWG VERSION NO: 20

NCSX-SE132-050

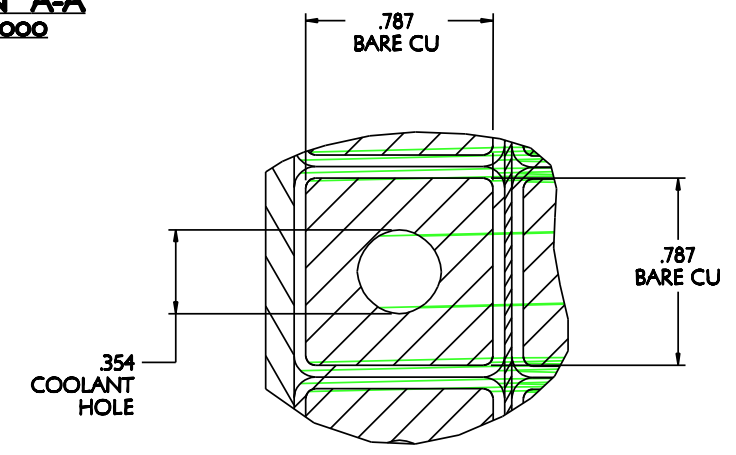
NO.	REVISION	BY	CH	SUP	APPROVED	DATE



**SECTION A-A**  
SCALE 1.000



**DETAIL "Z"**  
SCALE 1375



**DETAIL "Y"**  
SCALE 4.000

**NOTE**  
1. COPPER TO BE OFHC CDA 104, CDA 105, OR CDA 107  
SILVER BEARING  
  
2 ASSEMBLIES REQ'D

PART NO.	DRAWING NO	NOMENCLATURE OR DESCRIPTION	MATERIAL	QTY REQD
16	SE132-059-1	LEAD FLAG SHORT	OFHC COPPER	1
15	SE132-059	LEAD FLAG LONG	OFHC COPPER	1
14	SE132-058	PF-5 GROUNDWRAP	TEMPORARY GLASS TAPE	1
13	SE132-057	PF-5 PANCAKE INSULATION	G-10	1
12	SE132-056	PF-5 PANCAKE INSULATION	G-10	1
11	SE132-055	PF-5 PANCAKE INSULATION	G-10	1
10	SE132-051	PF-5 BARE COPPER WINDING	OFHC COPPER	1
9	PF-5.FILLER-9	PF-5 COIL TRANSITION FILLER #9	GII-C2	1
8	PF-5.FILLER-8	PF-5 FILLER #8	GII-C2	1
7	PF-5.FILLER-7	PF-5 FILLER #7	GII-C2	1
6	PF-5.FILLER-6	PF-5 FILLER #6	GII-C2	1
5	PF-5.FILLER-5	PF-5 FILLER #5	GII-C2	1
4	PF-5.FILLER-4	PF-5 FILLER #4	GII-C2	1
3	PF-5.FILLER-3	PF-5 FILLER #3	GII-C2	1
2	PF-5.FILLER-2	PF-5 FILLER #2	GII-C2	1
1	PF-5.FILLER-1	PF-5 FILLER #1	GII-C2	1

PARTS LIST			
COMPUTER GENERATED DRAWING	CENTRAL FILES:	PRINCETON PLASMA PHYSICS LABORATORY	
MANUAL CHANGES NOT PERMITTED	UNLESS OTHERWISE SPECIFIED	PRINCETON UNIVERSITY	
Pro E	DIMENSIONS ARE IN INCHES	NATIONAL COMPACT STELLARATOR EXPERIMENT	
DO NOT VERIFY INFORMATION BY SCALING DRAWING	MACHINE SURFACES	STELLARATOR CORE	
	BREAK SHARP EDGES .005-.020	CONVENTIONAL COILS	
	TOLERANCES NON-CUMULATIVE	PF-5 FINAL ASSEMBLY	
	DECIMAL INCH	FRACCTIONS	DWG NO:
	.125	1/8"	SE132-050
	.0625	1/16"	ENGR: M. KALISH
	.03125	1/32"	SUPV:
	.015625	1/64"	DRAWING NO:
			SE132-050
			SHEET 2 OF 2
			REV D.5

RELEASE LEVEL: WIP  
DWG VERSION NO: 20+

WEIGHT  
3326.7 lbs  
MODEL NAME  
SE132-050