

ISOMETRIC VIEW
SCALE 1.000

NOTES

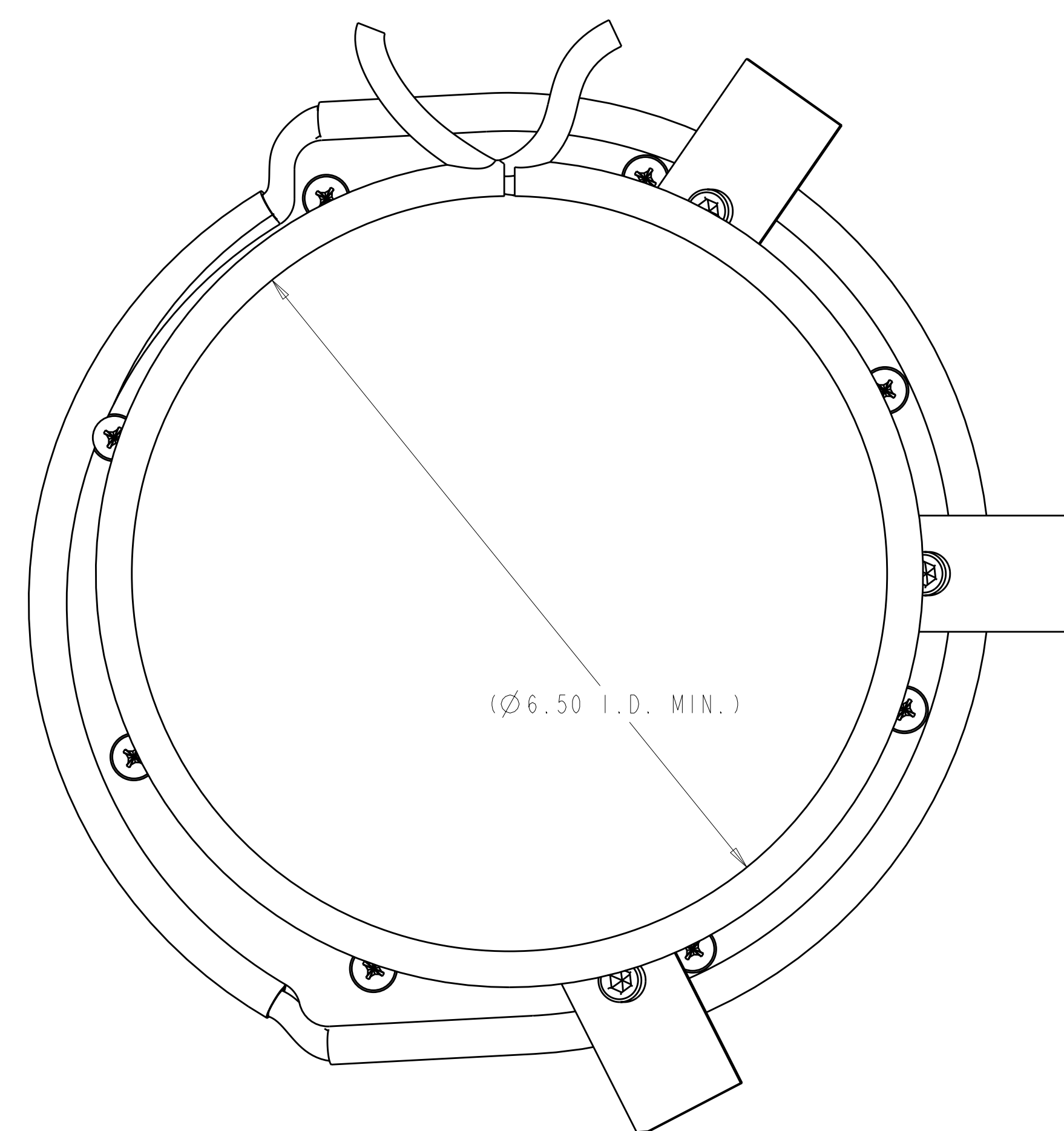
1. DRAWING PREPARED IN ACCORDANCE WITH ASME Y14.100-2004.
2. INTERPRET DIMENSIONS AND TOLERANCES PER ASME Y14.5M-1994.
3. DIMENSIONS ARE IN INCHES.

REF DWG SE122-343 FOR
CONSTRUCTION OF
DRAWSTRING LOOP

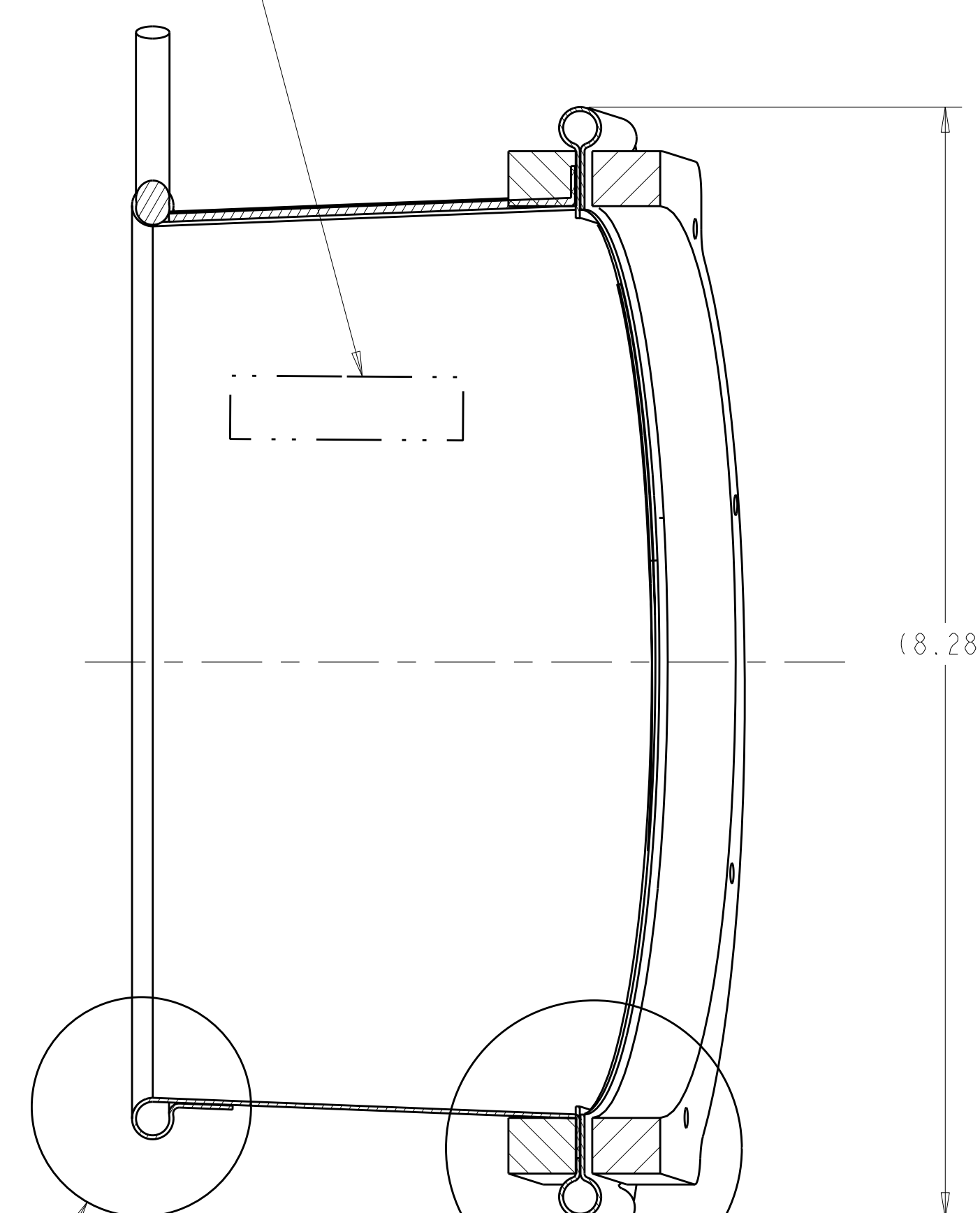
TYPICAL CLOTH HEM DETAIL
FOR DRAWSTRING
SCALE 2.00

VERIFY PERIMETER HEM
TO MATCH SE122-341-1 AND SE122-342-1.
REF. DWG. SE122-343 FOR
CONSTRUCTION OF GASKET LOOP

TYPICAL CLOTH HEM DETAIL
FOR SEAL GASKET
SCALE 2.00



LABEL PART NUMBER AND REVISION
WITH PERMANENT INK



SECTION A-A

SEE TYP. CLOTH HEM DETAIL
FOR DRAWSTRING

SEE TYP. CLOTH HEM DETAIL
FOR SEAL GASKET

-1 PORT 2 WINDING FORM SEAL ASSEMBLY
SCALE 1.000

QTY	REV	DESCRIPTION	MATERIAL	SPECIFICATION	FIN NO
8		94070A247	#10-24 UNC X 1.00 LG PAN HEAD PHILLIPS MACHINE SCREW	BRASS	7
3		93465A537	1/4-20 UNC X .50 LG SHCS		6
3		SE122-399-1	PORT CLIP		5
1		SE122-343-1	PORT 2 WINDING FORM SEAL BOOT ASSEMBLY		4
1		SE122-342-1	PORT 2 WINDING FORM SEAL INNER PLATE		3
1		SE122-341-1	PORT 2 WINDING FORM SEAL OUTER PLATE		2
AR	X	-1	PORT 2 WINDING FORM SEAL ASSEMBLY		1
SE122-004-1		←	←	←	←

PARTS LIST

NO REPRESENTATION OR WARRANTY, EXPRESSED OR IMPLIED, IS
MADE AS TO THE ACCURACY, COMPLETENESS OR USEFULNESS OF THE
INFORMATION OR STATEMENTS CONTAINED IN THESE DRAWINGS, OR
THAT THE USE OR DISCLOSURE OF ANY INFORMATION, APPARATUS,
METHOD OR PROCESS DISCLOSED IN THESE DRAWINGS MAY NOT
INFRINGE PRIVATE RIGHTS OF OTHERS. NO LIABILITY IS ASSUMED
WITH RESPECT TO THE USE OF, OR FOR DAMAGES RESULTING FROM
THE USE OF, ANY INFORMATION, APPARATUS, METHOD OR PROCESS
DISCLOSED IN THESE DRAWINGS. DRAWINGS MADE AVAILABLE FOR
INFORMATION TO BIDDER ARE NOT TO BE USED FOR OTHER
PURPOSES, AND ARE TO BE RETURNED UPON REQUEST OF THE
FORWARDING CONTRACTOR.

P THIS DRAWING PRODUCED
ON PRO-ENGINEER

REV	DESCRIPTION	BY	DATE	CHK	DEPT	DATE	PE	REQ	DATE	ORNL	DOE	DATE
0	ORIGINAL ISSUE	RAH	01/07	SP		01/07						
REVISION OR ISSUE PURPOSE												
REVISION APPROVAL												

SCALE NOTED	DES P. L. GORANSON 01/07
TOLERANCES UNLESS OTHERWISE SPECIFIED	DRW R. A. HURD 01/07
FRACTIONS	CHK S. PARSON 01/07
XX DECIMALS ±.01	SECT :
XXX DECIMALS ±.005	DEPT :
ANGLES ±0°15'	FE :
BREAK SHARP EDGES OR MAX	CR :
FINISH .125 UNLESS OTHERWISE SPECIFIED	PJ :
	RD :
	PPPL DRFT J. SIEGEL 01/07
	VERSION NO. 5+
	PLANT ORNL
	BLDG 5700
	FL 3
	SHT 1
	OF 1
	TYPE I
	CLASS A
	REV 0

Oak Ridge National Laboratory
managed for the DEPARTMENT OF ENERGY under
U.S. GOVERNMENT contract DE-AC05-00OR22725
UT-BATTELLE, LLC. Oak Ridge, Tennessee

UT-BATTELLE

NATIONAL COMPACT STELLARATOR EXPERIMENT

PORT 2 WINDING FORM SEAL
ASSEMBLY

SE122-340