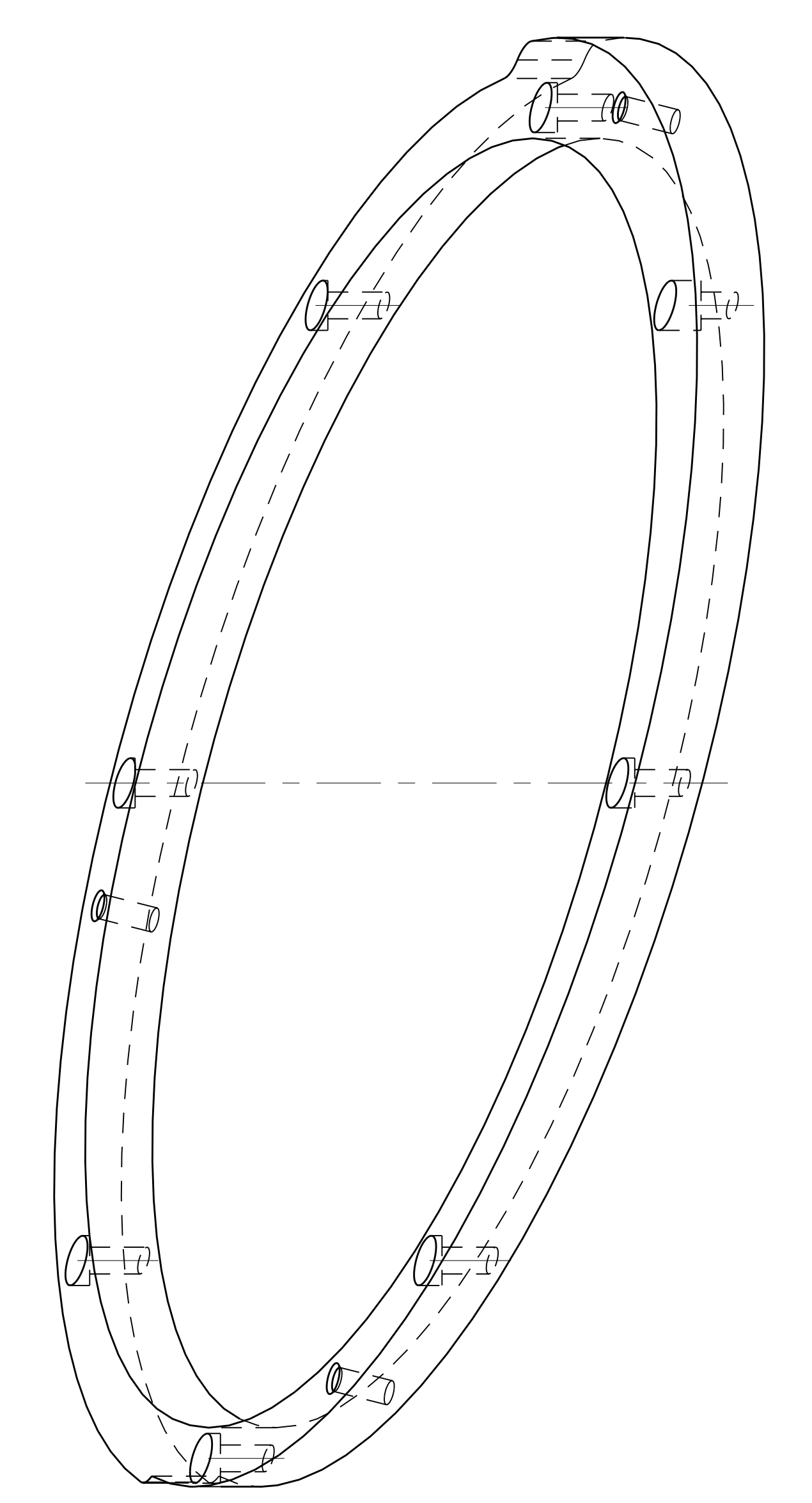
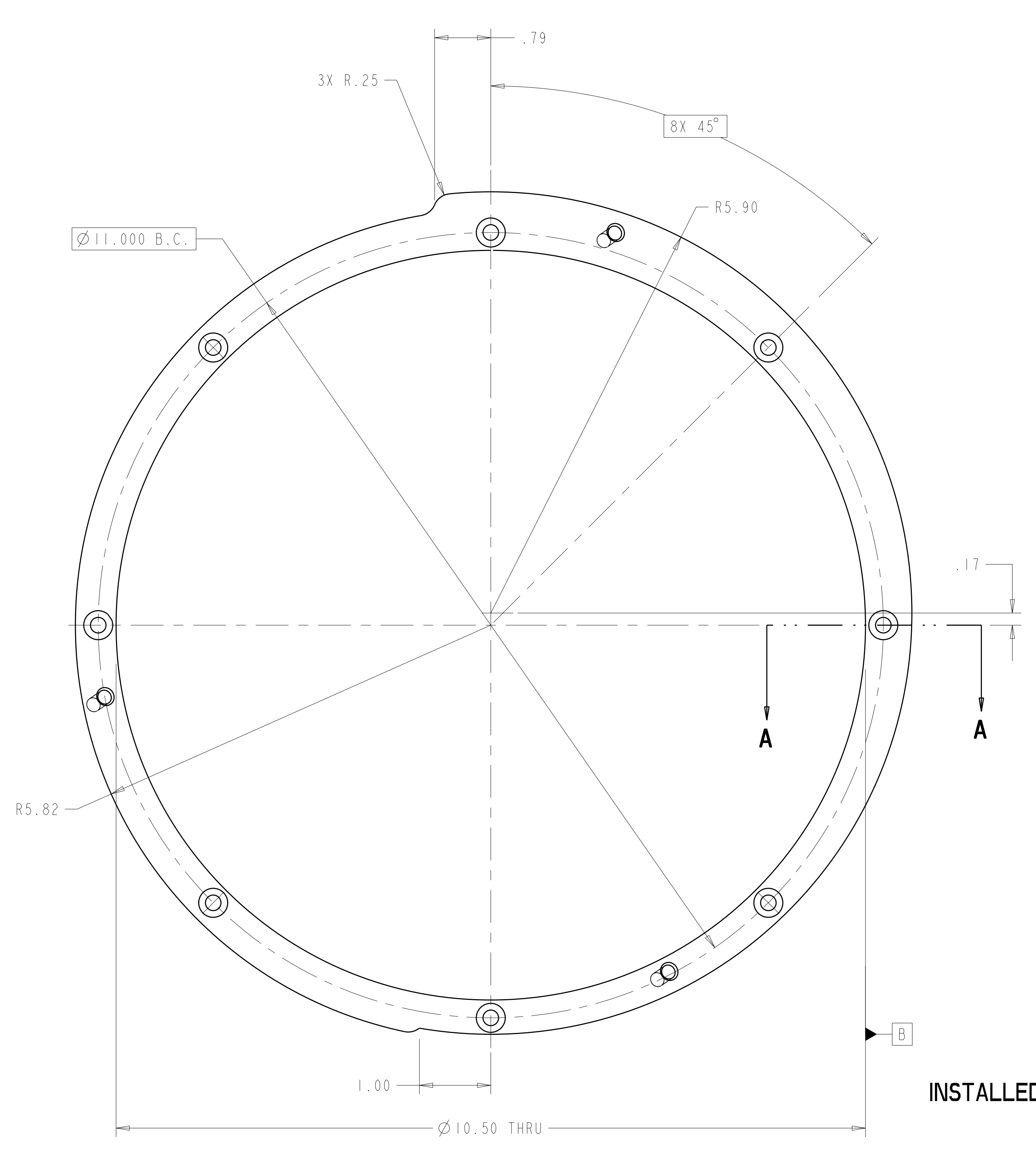
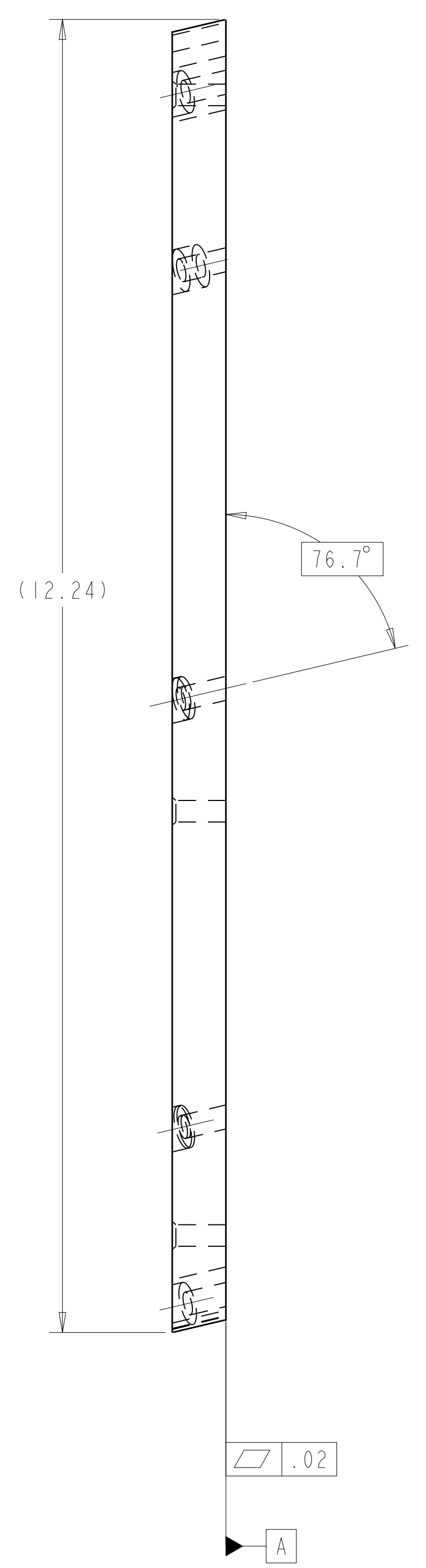
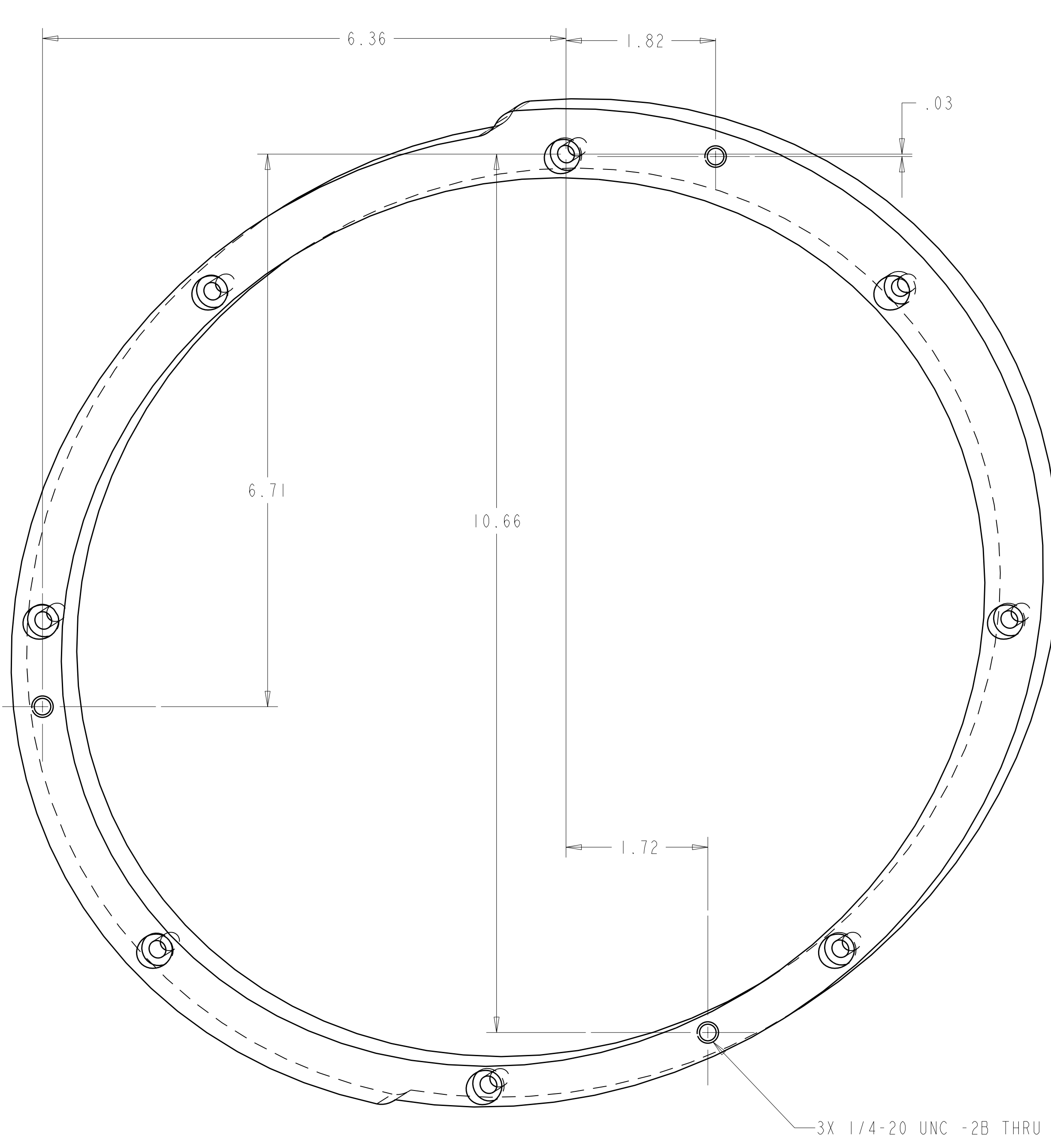
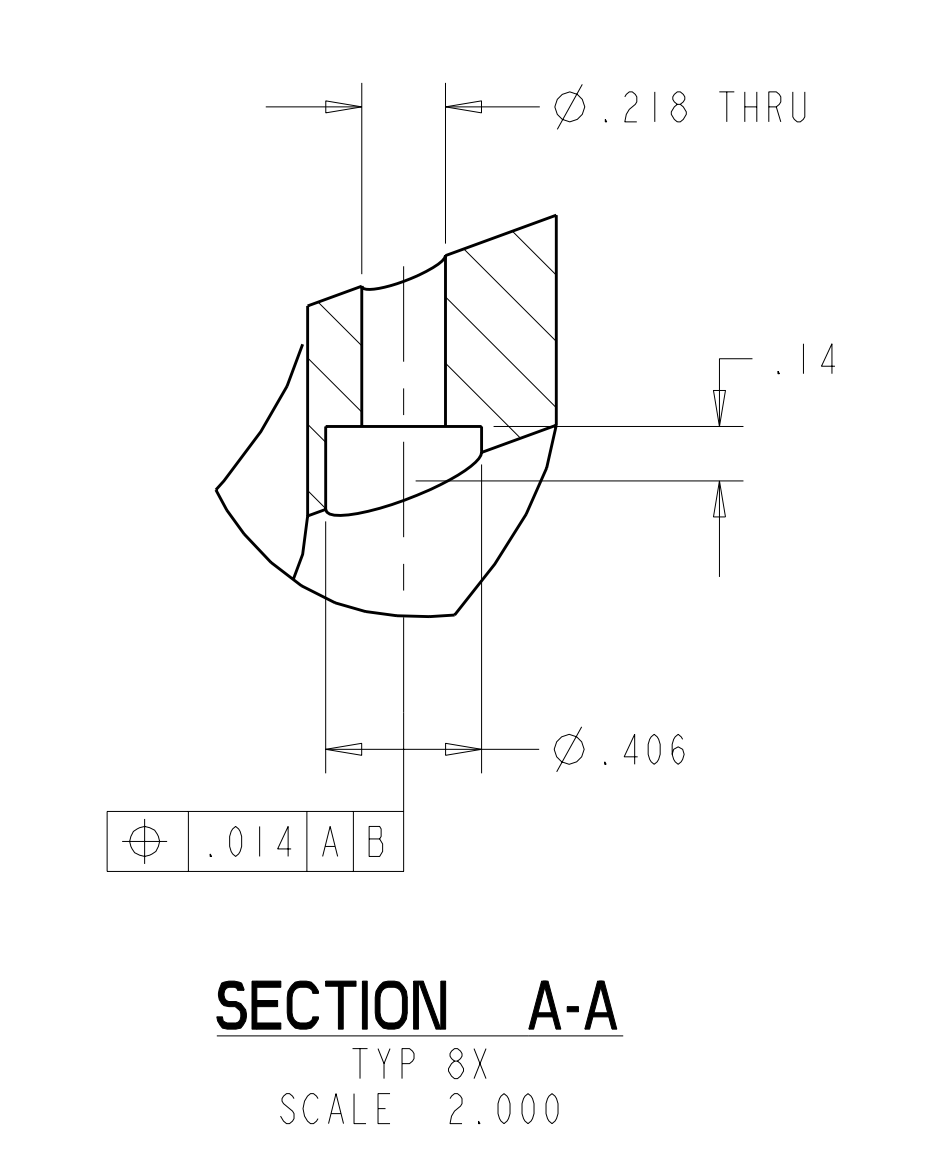
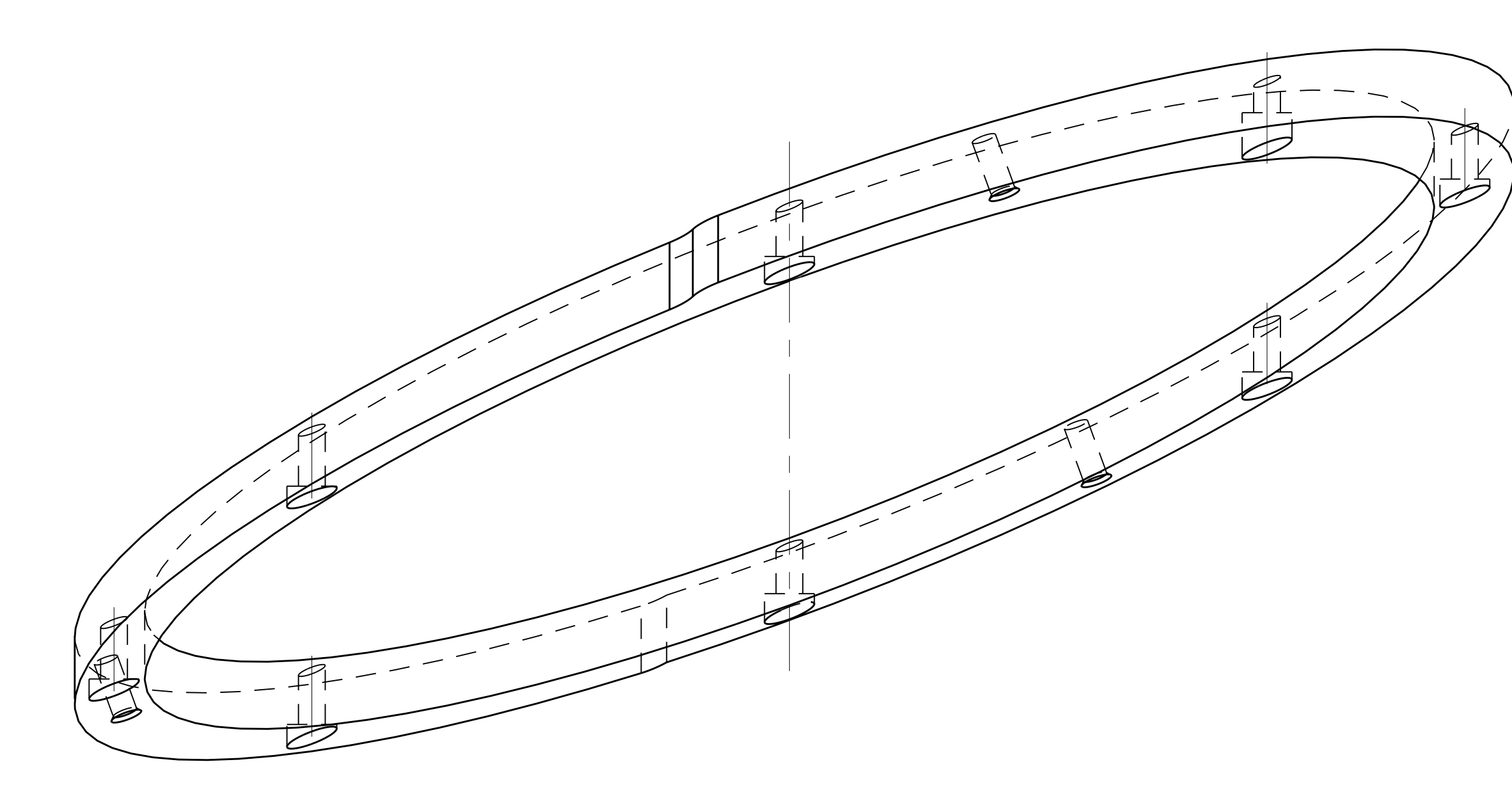
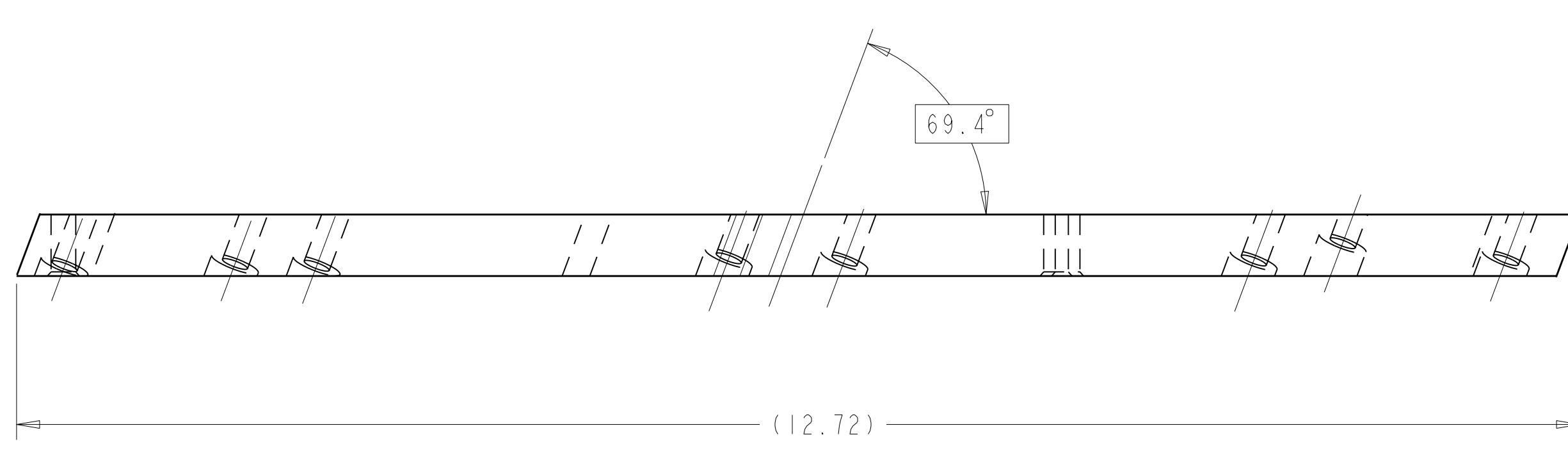


- NOTES
1. DRAWING PREPARED IN ACCORDANCE WITH ASME Y14.100-2004.
 2. INTERPRET DIMENSIONS AND TOLERANCES PER ASME Y14.5M-1994.
 3. DIMENSIONS ARE IN INCHES.
 - 4 PART TO BE MANUFACTURED FROM PRO/ENGINEER DATA FILE SE122-353.PRT DIMENSIONS SHOWN ARE FOR PART VERIFICATION ONLY.



FLAT ORIENTATION

INSTALLED ORIENTATION

1 PORT 7 WINDING FORM SEAL OUTER PLATE 4
SCALE 1.000

REV	DESCRIPTION	BY	DATE	CHK	DEPT	DATE	PE	REQ	DATE	ORNL	DOE	DATE
0	ORIGINAL ISSUE	RAH	01/07	SP		01/07						

AR	CAGE CODE	PART OR IDENTIFYING NO	NOMENCLATURE OR DESCRIPTION	MATERIAL	SPECIFICATION	FIND NO
4	SE122-353-1	-1	PORT 5 WINDING FORM SEAL OUTER PLATE	GAROLITE	G-11	1

← NEXT ASSEMBLY PARTS LIST

NO REPRESENTATION OR WARRANTY, EXPRESSED OR IMPLIED, IS MADE AS TO THE ACCURACY, COMPLETENESS OR USEFULNESS OF THE INFORMATION OR STATEMENTS CONTAINED IN THESE DRAWINGS, OR THAT THE USE OR DISCLOSURE OF ANY INFORMATION, APPARATUS, METHOD OR PROCESS DISCLOSED IN THESE DRAWINGS MAY NOT INFRINGE PRIVATE RIGHTS OF OTHERS. NO LIABILITY IS ASSUMED WITH RESPECT TO THE USE OF, OR FOR DAMAGES RESULTING FROM THE USE OF, ANY INFORMATION, APPARATUS, METHOD OR PROCESS DISCLOSED IN THESE DRAWINGS. DRAWINGS MADE AVAILABLE FOR PURPOSES; AND ARE TO BE RETURNED UPON REQUEST OF THE FORWARDING CONTRACTOR.

P THIS DRAWING PRODUCED ON PRO-ENGINEER

SCALE NOTED TOLERANCES UNLESS OTHERWISE SPECIFIED FRACTIONS : XX DECIMALS ±.01 XXX DECIMALS ±.005 ANGLES ±0°15' BREAK SHARP EDGES OR MAX FINISH .125 UNLESS OTHERWISE SPECIFIED										DES P. L. GORANSON DRW R. A. HURD CHK S. PARSON		DES P. L. GORANSON DRW R. A. HURD CHK S. PARSON		UT-BATTELLE Oak Ridge National Laboratory managed for the DEPARTMENT OF ENERGY under U.S. GOVERNMENT contract DE-AC05-00OR22725 UT-BATTELLE, LLC., Oak Ridge, Tennessee PROJECT NAME NATIONAL COMPACT STELLARATOR EXPERIMENT											
										PPPL DRFT J. SIEGEL		VERSION NO. 3+													
										DRAWING APPROVALS		PLANT ORNL		BLDG 5700		FL 3		SHT 1		OF 1		TYPE I S		CLASS U	
										DATE		RELEASE LEVEL WIP		SE122-353											
										DATE		REV 0													