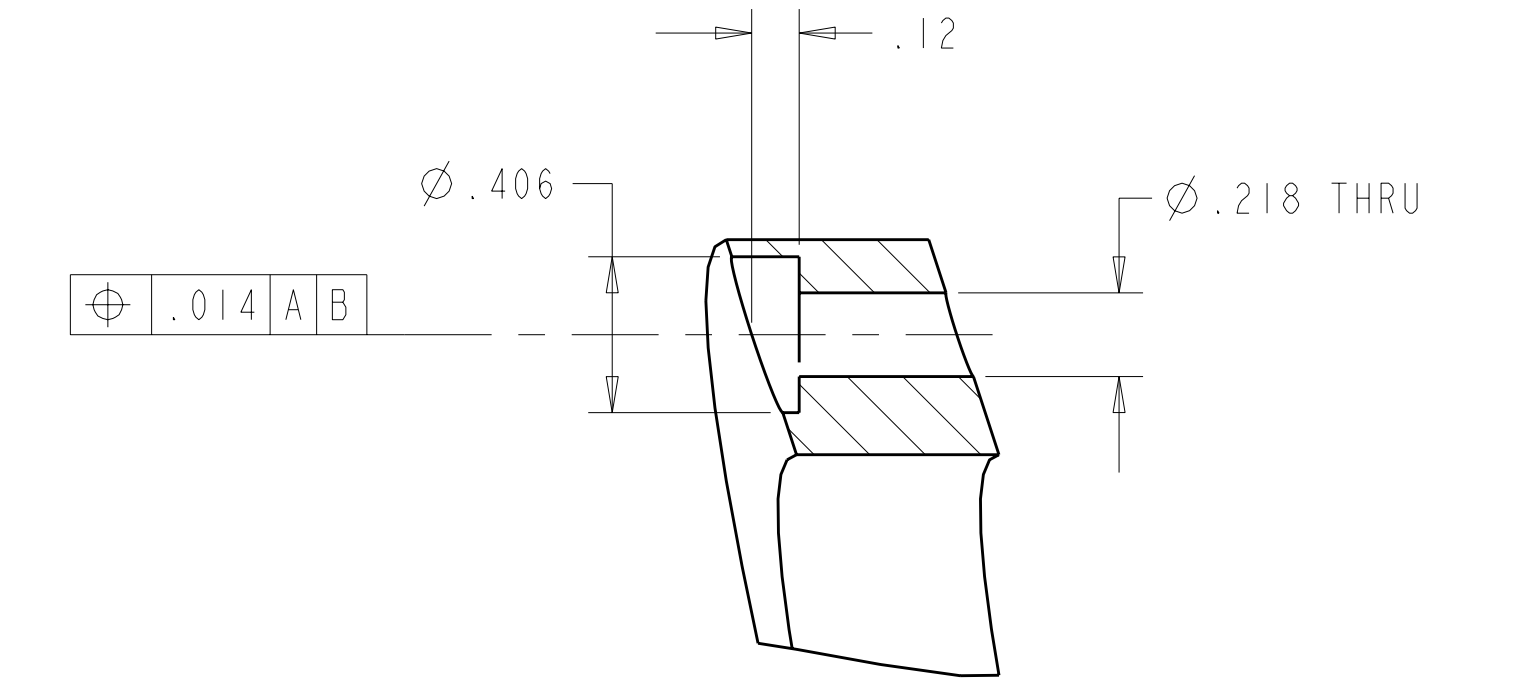
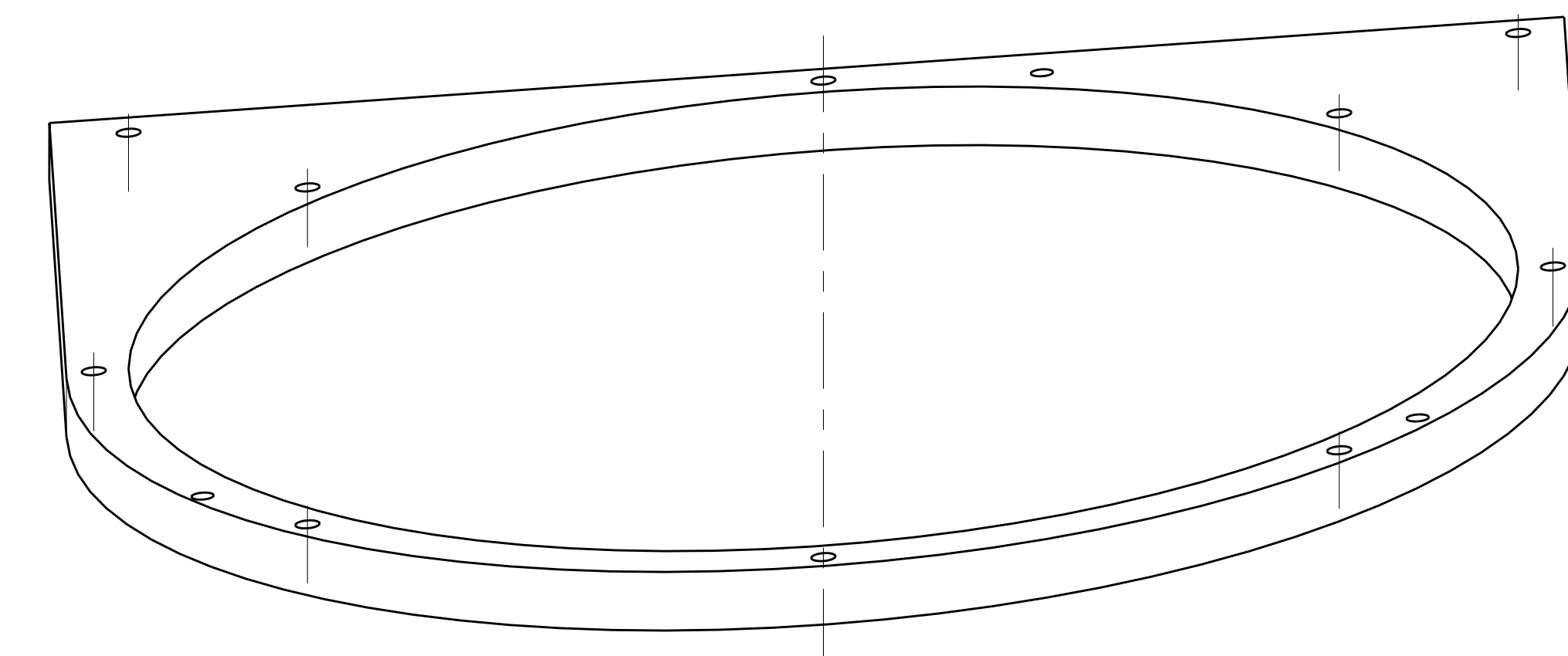
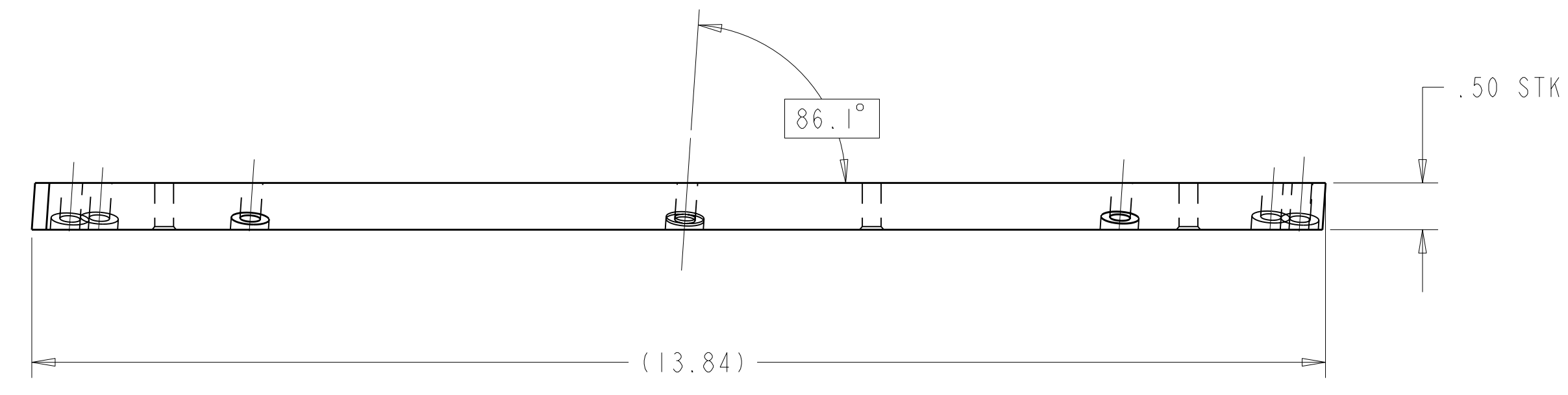
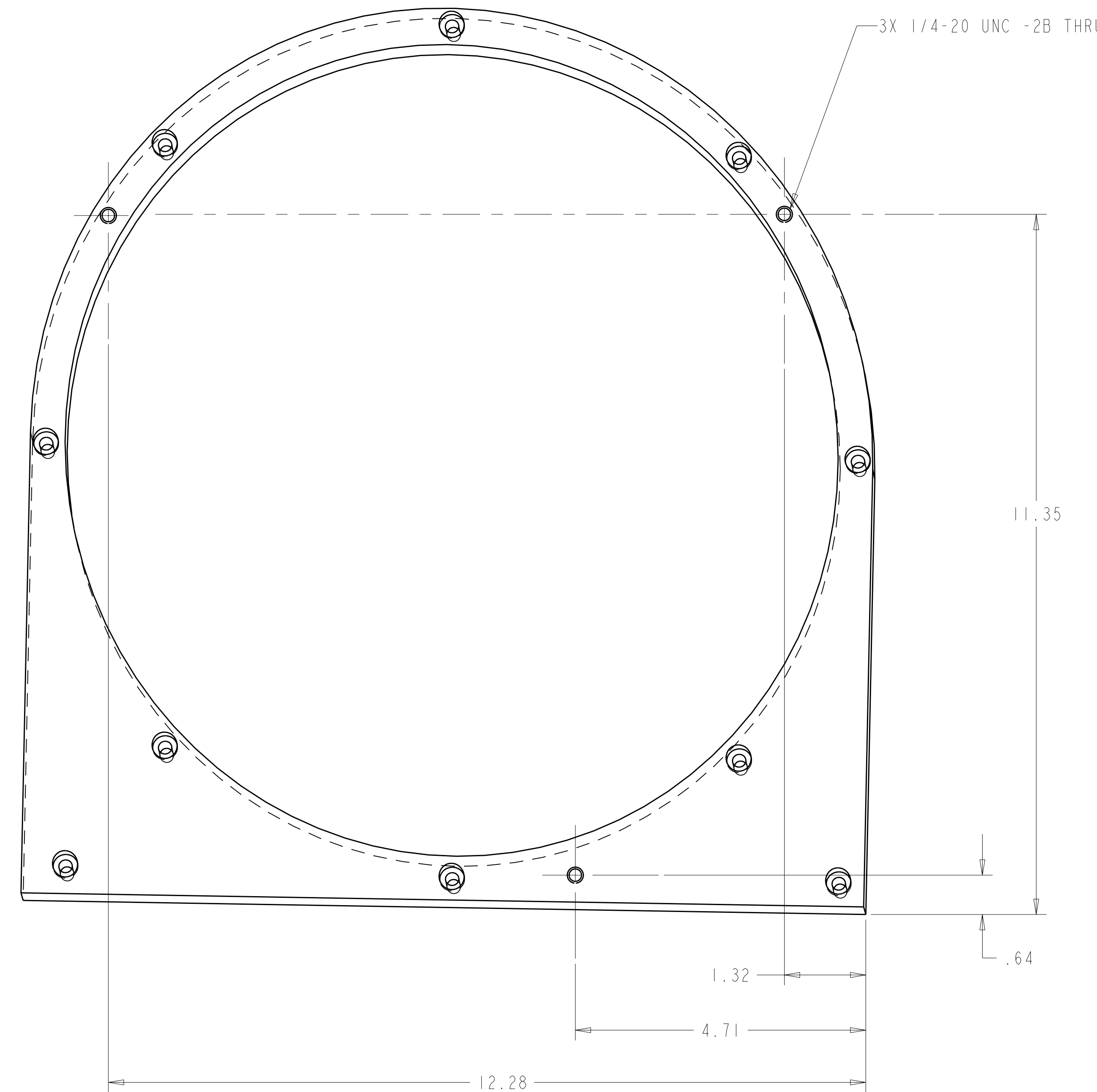


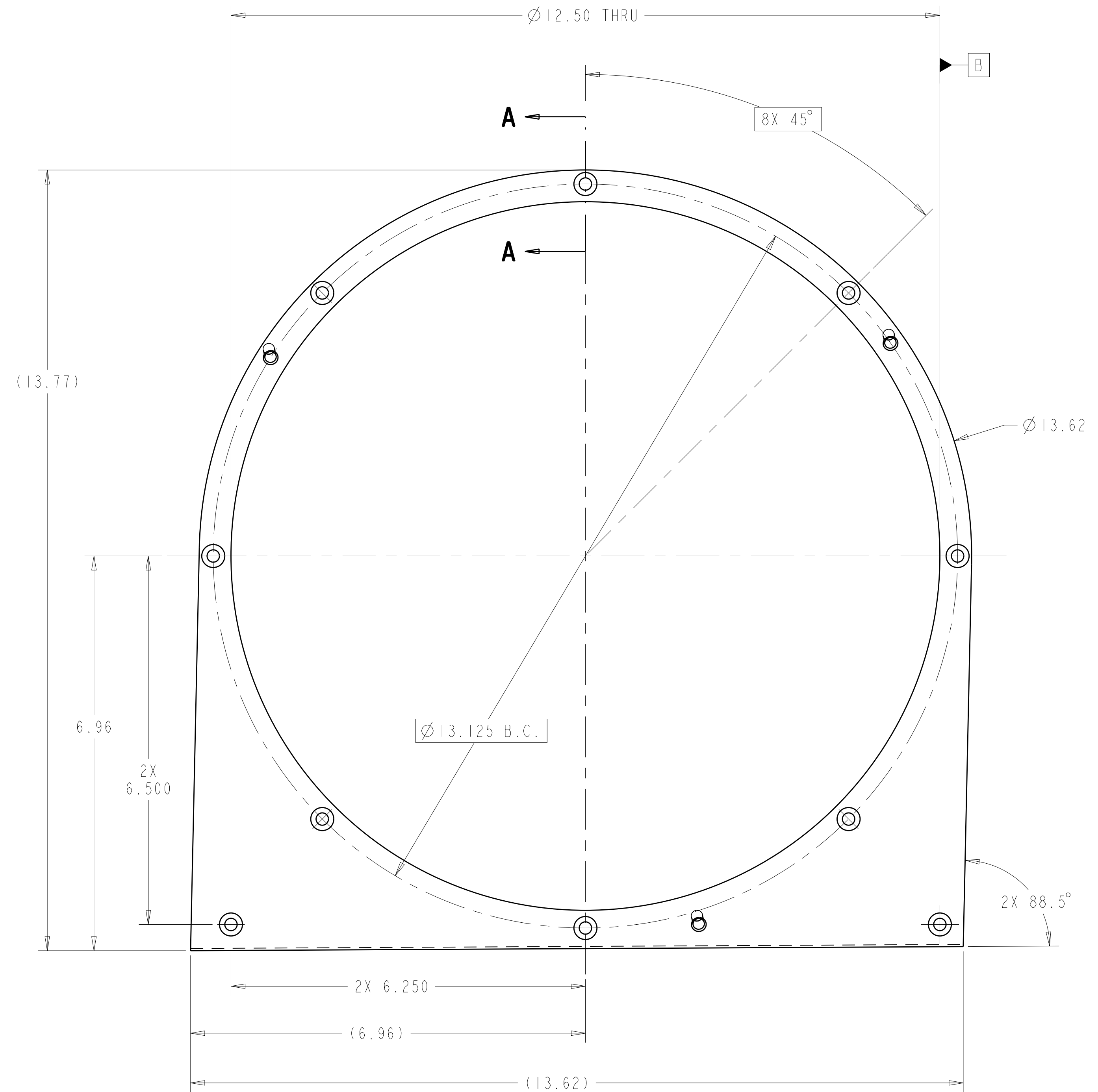
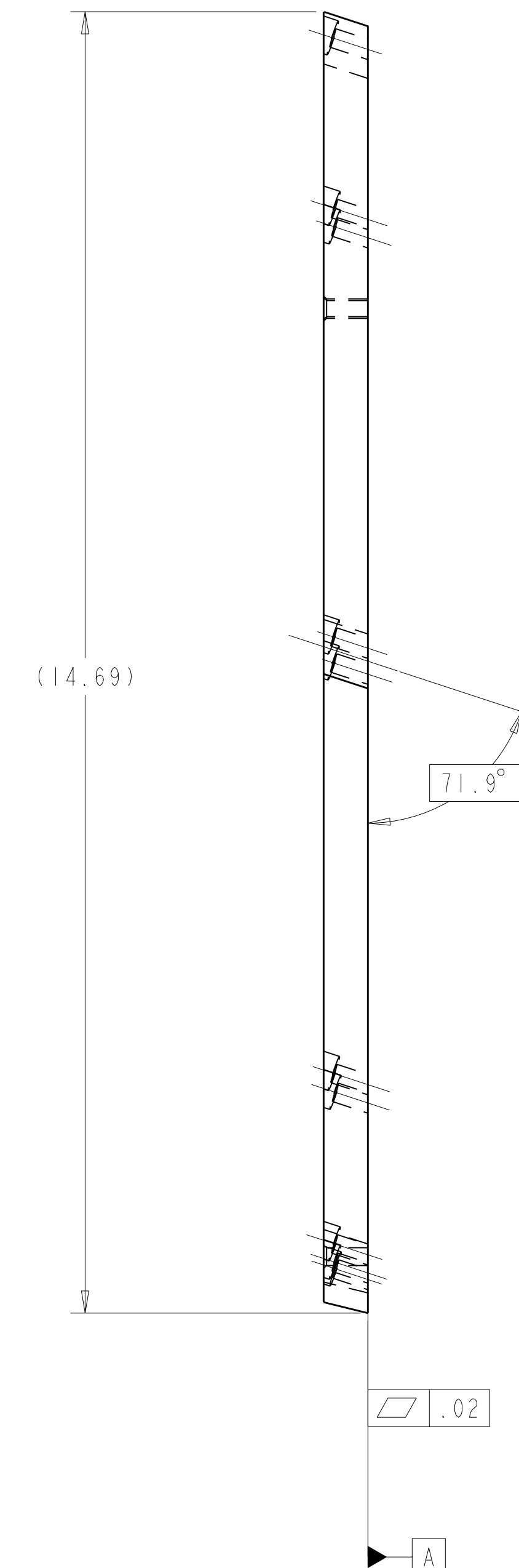
- NOTES
1. DRAWING PREPARED IN ACCORDANCE WITH ASME Y14.100-2004.
 2. INTERPRET DIMENSIONS AND TOLERANCES PER ASME Y14.5M-1994.
 3. DIMENSIONS ARE IN INCHES.
 - 4 PART TO BE MANUFACTURED FROM PRO/ENGINEER DATA FILE SE122-365.PRT. DIMENSIONS SHOWN ARE FOR PART VERIFICATION ONLY.



SECTION A-A
TYP 10X
SCALE 2.00



FLAT ORIENTATION



INSTALLED ORIENTATION

-1 PORT 10 WINDING FORM SEAL OUTER PLATE 4
SCALE 1.000

AR	CAGE CODE	PART OR IDENTIFYING NO	NOMENCLATURE OR DESCRIPTION	MATERIAL	SPECIFICATION	FIND NO
4	AR	-1	PORT 10 WINDING FORM SEAL OUTER PLATE	GAROLITE	G-11	1
			PARTS LIST			
			NEXT ASSEMBLY			

NO REPRESENTATION OR WARRANTY, EXPRESSED OR IMPLIED, IS MADE AS TO THE ACCURACY, COMPLETENESS OR USEFULNESS OF THE INFORMATION OR STATEMENTS CONTAINED IN THESE DRAWINGS, OR THAT THE USE OR DISCLOSURE OF ANY INFORMATION, APPARATUS, METHOD OR PROCESS DISCLOSED IN THESE DRAWINGS MAY NOT INFRINGE PRIVATE RIGHTS OF OTHERS. NO LIABILITY IS ASSUMED WITH RESPECT TO THE USE OF, OR FOR DAMAGES RESULTING FROM THE USE OF, ANY INFORMATION, APPARATUS, METHOD OR PROCESS DISCLOSED IN THESE DRAWINGS. DRAWINGS MADE AVAILABLE FOR PURPOSES, AND ARE TO BE RETURNED UPON REQUEST OF THE FORWARDING CONTRACTOR.

P THIS DRAWING PRODUCED ON PRO-ENGINEER

REV	DESCRIPTION	BY	DATE	CHK	DEPT	DATE	PE	REQ	DATE	ORNL	DOE	DATE
0	ORIGINAL ISSUE	RAH	01/07	SP		01/07						
REVISION OR ISSUE PURPOSE												
REVISION APPROVAL												

SCALE NOTED		DES	P. L. GORANSON	01/07
TOLERANCES UNLESS OTHERWISE SPECIFIED		DRW	R. A. HURD	01/07
FRACTIONS		CHK	S. PARSON	01/07
XX DECIMALS ±.01		SECT		
XXX DECIMALS ±.005		DEPT		
ANGLES ±0°15'		PE		
BREAK SHARP EDGES OR MAX FINISH ±.025 UNLESS OTHERWISE SPECIFIED		CR		
		PJ		
		REQ		
		PPPL DRFT	J. SIEGEL	01/07
		VERSION NO.	3+	
		PLANT	ORNL	
		BLDG	5700	
		FL	3	
		SHT	1	
		OF	1	
		TYPE	ISS	
		CLASS	U	
		REV	0	

Oak Ridge National Laboratory
managed for the DEPARTMENT OF ENERGY under
U.S. GOVERNMENT CONTRACT DE-AC05-00OR22725
UT-BATTELLE, LLC, Oak Ridge, Tennessee

UT-BATTELLE

NATIONAL COMPACT STELLARATOR EXPERIMENT

PORT 10 WINDING FORM SEAL OUTER PLATE

SE122-365