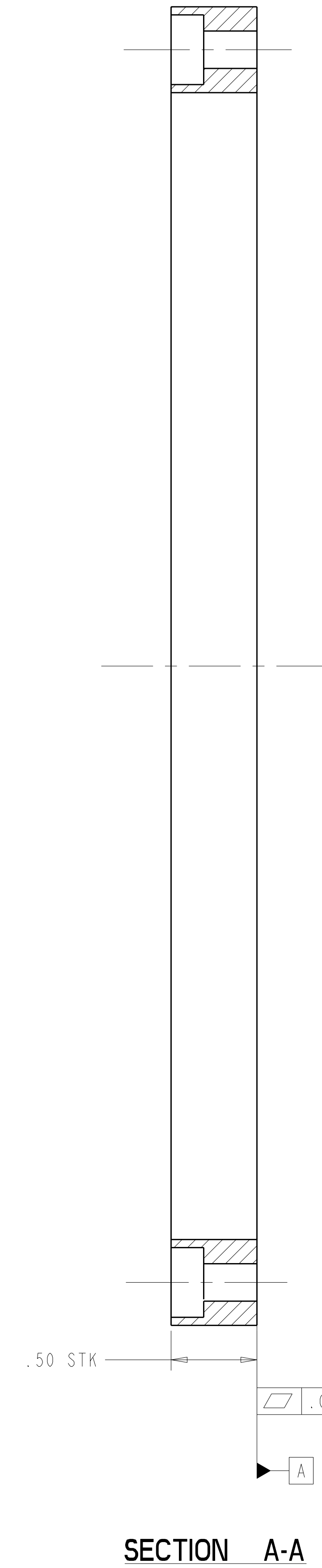
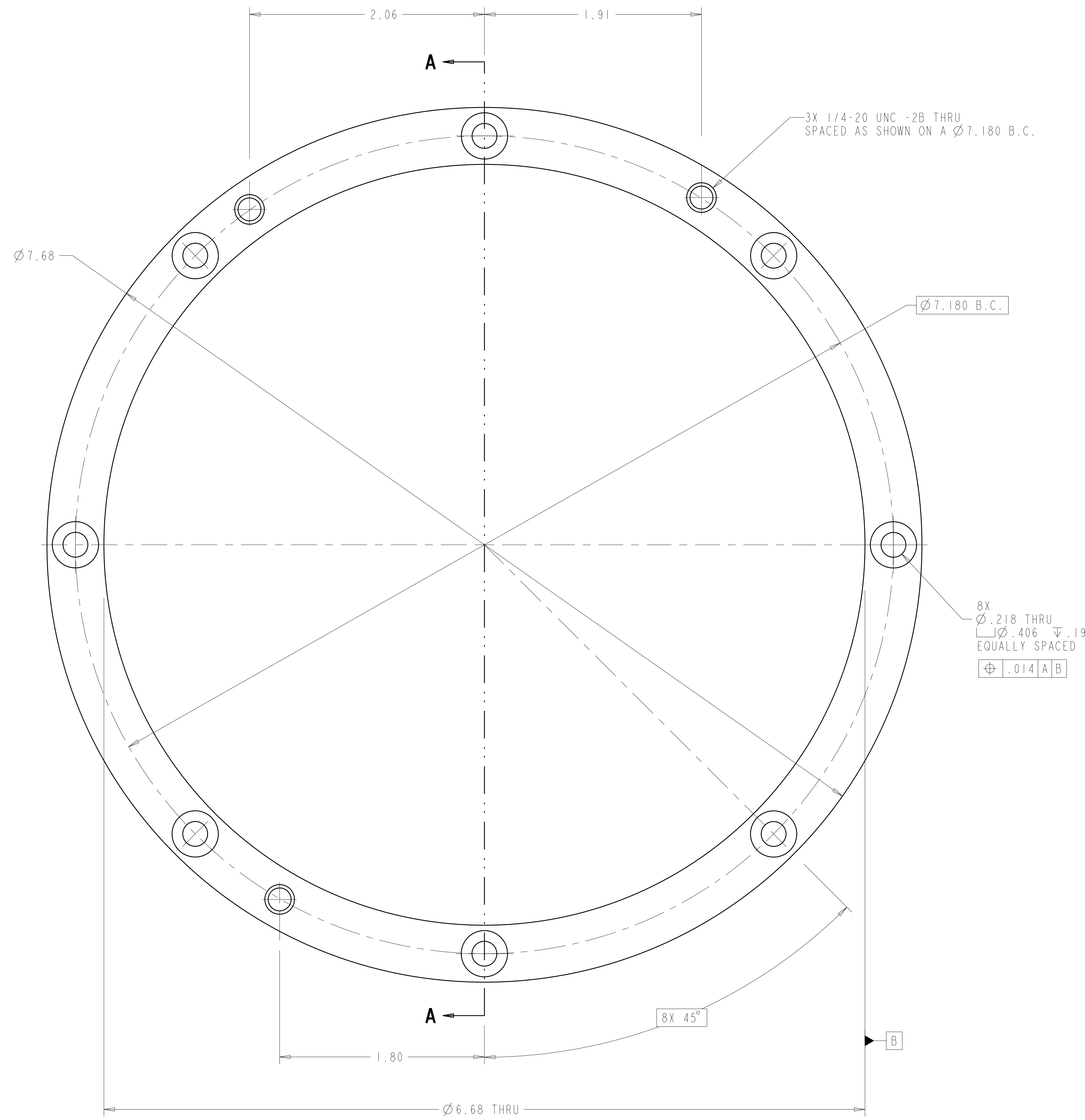


- NOTES
1. DRAWING PREPARED IN ACCORDANCE WITH ASME Y14.100-2004.
 2. INTERPRET DIMENSIONS AND TOLERANCES PER ASME Y14.5M-1994.
 3. DIMENSIONS ARE IN INCHES
 - 4 PART TO BE MANUFACTURED FROM PRO/ENGINEER DATA FILE SE122-389.PRT. DIMENSIONS SHOWN ARE FOR PART VERIFICATION ONLY.



-1 SPACER PORT WINDING FORM SEAL OUTER PLATE 4
SCALE 2.000

REV	DESCRIPTION	BY	DATE	CHK	DEPT	DATE	PE	REQ	DATE	ORNL	DOE	DATE
0	ORIGINAL ISSUE	MTR	01/07	SP		01/07						

CAGE CODE	PART OR IDENTIFYING NO	NOMENCLATURE OR DESCRIPTION	MATERIAL	SPECIFICATION	FIND NO
4 AR	-1	SPACER PORT WINDING FORM SEAL OUTER PLATE	GAROLITE	G-11	I

← NEXT ASSEMBLY PARTS LIST

NO REPRESENTATION OR WARRANTY, EXPRESSED OR IMPLIED, IS MADE AS TO THE ACCURACY, COMPLETENESS OR USEFULNESS OF THE INFORMATION OR STATEMENTS CONTAINED IN THESE DRAWINGS, OR THAT THE USE OR DISCLOSURE OF ANY INFORMATION, APPARATUS, METHOD OR PROCESS DISCLOSED IN THESE DRAWINGS MAY NOT INFRINGE PRIVATE RIGHTS OF OTHERS. NO LIABILITY IS ASSUMED WITH RESPECT TO THE USE OF, OR FOR DAMAGES RESULTING FROM THE USE OF, ANY INFORMATION, APPARATUS, METHOD OR PROCESS DISCLOSED IN THESE DRAWINGS. DRAWINGS MADE AVAILABLE FOR INFORMATION TO BIDDER ARE NOT TO BE USED FOR OTHER PURPOSES, AND ARE TO BE RETURNED UPON REQUEST OF THE FORWARDING CONTRACTOR.

P THIS DRAWING PRODUCED ON PRO-ENGINEER

REV	DESCRIPTION	BY	DATE	CHK	DEPT	DATE	PE	REQ	DATE	ORNL	DOE	DATE
0	ORIGINAL ISSUE	MTR	01/07	SP		01/07						

SCALE NOTED	DES	PL	GORANSON	01/07
TOLERANCES UNLESS OTHERWISE SPECIFIED	DRW	MT	BROWN	01/07
FRACTIONS	CHK	S	PARSON	01/07
XX DECIMALS ±.01	SECT	:	:	:
XXX DECIMALS ±.005	DEPT	:	:	:
ANGLES ±0°15'	FE	:	:	:
BREAK SHARP EDGES OR MAX	CR	:	:	:
FINISH .125 UNLESS OTHERWISE SPECIFIED	PJ	:	:	:
	REQ	:	:	:
	PPPL	DRFT	J SIEGEL	01/07
	VERSION NO.	2+		
	PLANT	ORNL		
	BLDG	5700		
	FL	3		
	SHT	1		
	OF	1		
	TYPE	I		
	CLASS	S		
	U			
	REV	0		

UT-BATTELLE	NATIONAL COMPACT STELLARATOR EXPERIMENT
SPACER PORT WINDING FORM SEAL OUTER PLATE <td></td>	
VERSION NO. 2+	PLANT ORNL
BLDG 5700	FL 3
SHT 1	OF 1
TYPE I	CLASS S
U	REV 0

SE122-389