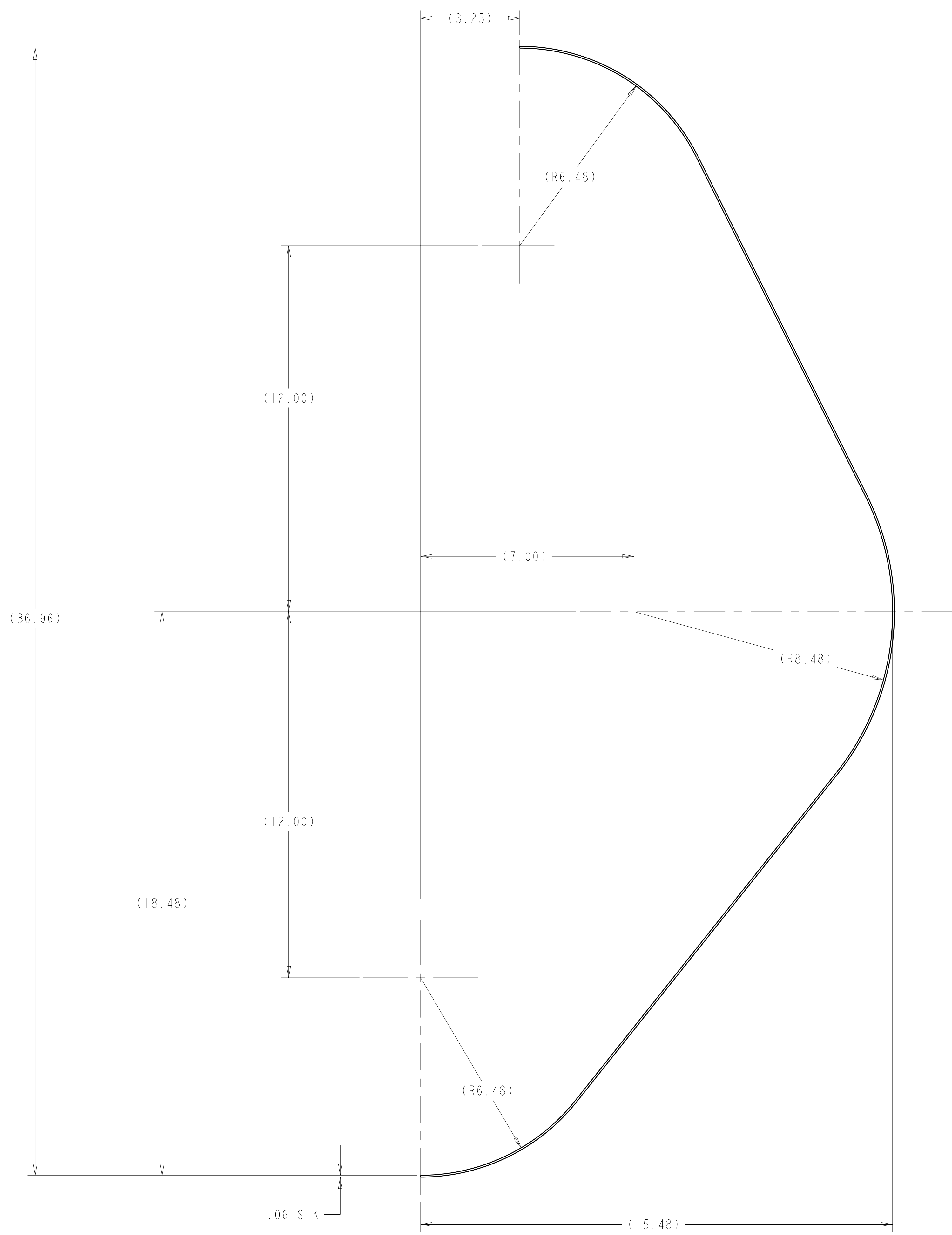
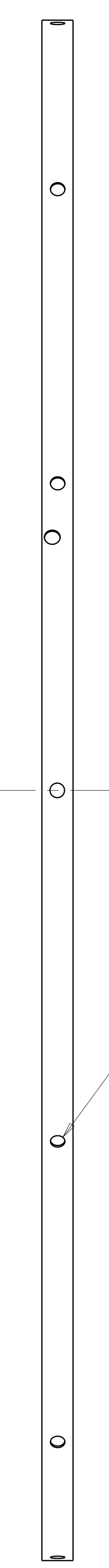


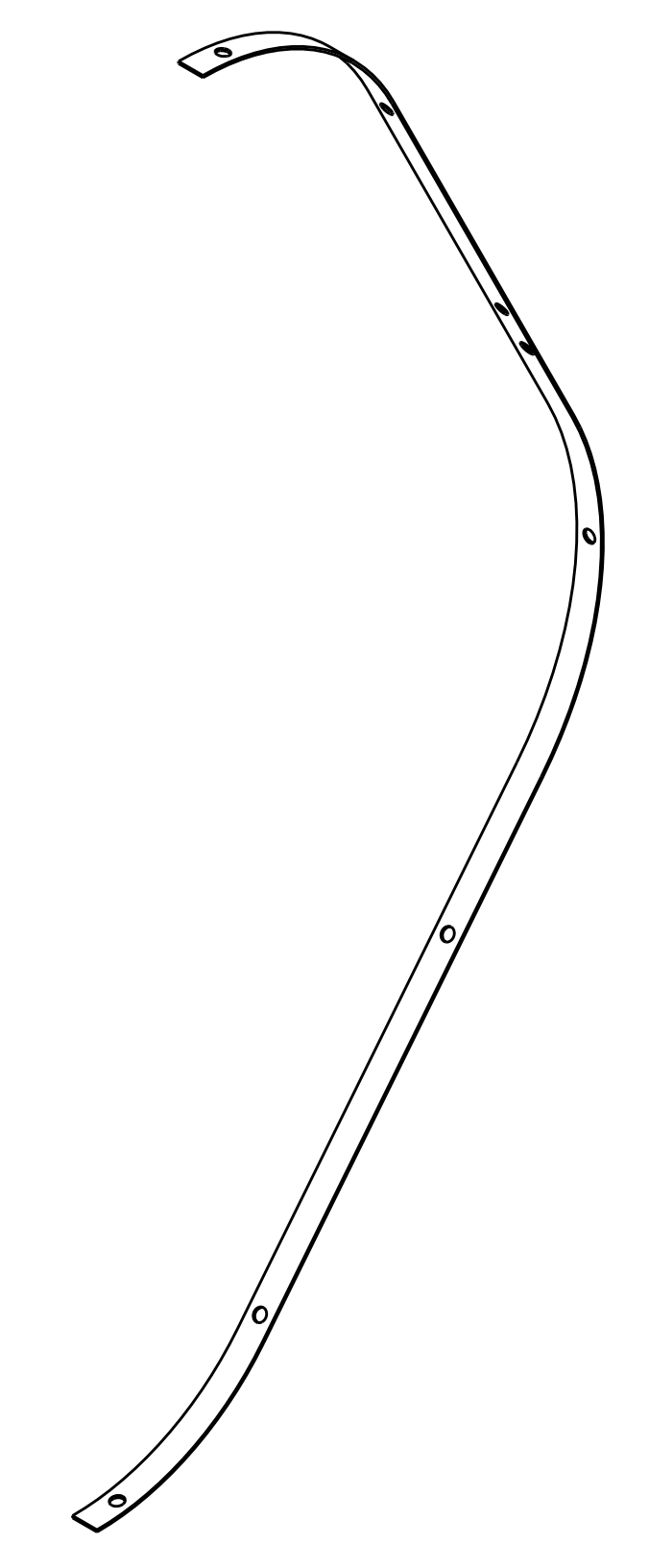
- NOTES
1. DRAWING PREPARED IN ACCORDANCE WITH ASME Y14.100-2004.
 2. INTERPRET DIMENSIONS AND TOLERANCES PER ASME Y14.5M-1994.
 3. DIMENSIONS ARE IN INCHES
 4. FLAT PART TO BE MANUFACTURED FROM PRO/ENGINEER DATA FILE SE122-394-FLAT.PRT. DIMENSIONS SHOWN ARE FOR PART VERIFICATION ONLY.
 5. FORM TO MATCH CONTOUR OF PORT AT INSTALLATION.
 6. MAGNETIC PERMEABILITY NOT TO EXCEED 1.02 AS TESTED BY A SEVERN INDICATOR. AVAILABLE FROM:
SEVERN ENGINEERING
AUBURN, ALABAMA 36830
WWW.SEVERNENGINEERING.COM



INSTALLED FORM
SCALE .50
FORM AROUND MATING PART AT ASSY [5]

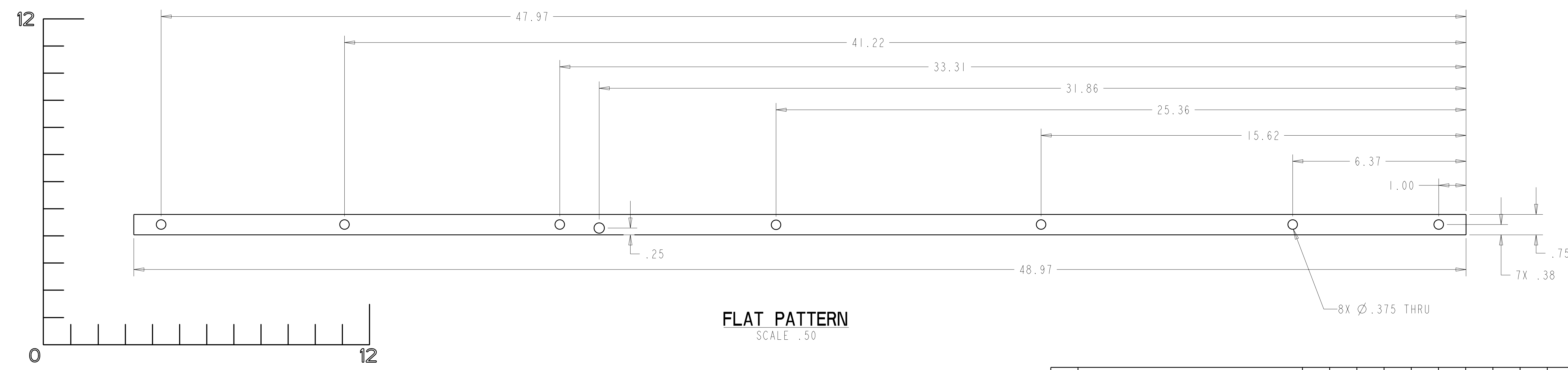


NOTE: ALL 2 PLACE DECIMALS TOL = ±.03



ISOMETRIC VIEW
SCALE .25

1 NEUTRAL BEAM PORT BOOT RETAINER STRAP AT MAN PORT [4 5]
SCALE .50



FLAT PATTERN
SCALE .50

CAGE CODE	PART OR IDENTIFYING NO	NOMENCLATURE OR DESCRIPTION	MATERIAL	SPECIFICATION	FIND NO
SE122-394-1	-1	NEUTRAL BEAM PORT BOOT RETAINER STRAP AT MAN PORT	16 GA (.06 THK) 316L SST	ASTM A240	I
NEXT ASSEMBLY			PARTS LIST		

1:1 SCALE AT FULL SIZE

NO REPRESENTATION OR WARRANTY, EXPRESSED OR IMPLIED, IS MADE AS TO THE ACCURACY, COMPLETENESS OR USEFULNESS OF THE INFORMATION OR STATEMENTS CONTAINED IN THESE DRAWINGS, OR THAT THE USE OR DISCLOSURE OF ANY INFORMATION, APPARATUS, METHOD OR PROCESS DISCLOSED IN THESE DRAWINGS MAY NOT INFRINGE PRIVATE RIGHTS OF OTHERS. NO LIABILITY IS ASSUMED WITH RESPECT TO THE USE OF, OR FOR DAMAGES RESULTING FROM THE USE OF, ANY INFORMATION, APPARATUS, METHOD OR PROCESS DISCLOSED IN THESE DRAWINGS. DRAWINGS MADE AVAILABLE FOR PURPOSES, AND ARE TO BE RETURNED UPON REQUEST OF THE FORWARDING CONTRACTOR.

P THIS DRAWING PRODUCED ON PRO-ENGINEER

REV	DESCRIPTION	BY	DATE	CHK	DEPT	DATE	PE	REQ	DATE	ORNL	DOE	DATE
0	ORIGINAL ISSUE	MTR	01/07	SP		01/07						
REVISION OR ISSUE PURPOSE												
REVISION APPROVAL												

SCALE NOTED		DES		PL		GORANSON		01/07	
TOLERANCES UNLESS OTHERWISE SPECIFIED		DRW		MT		BROWN		01/07	
FRACTIONS		CHK		S		PARSON		01/07	
XX DECIMALS ±.03		SECT							
XXX DECIMALS ±.005		DEPT							
ANGLES ±0°15'		PE							
BREAK SHARP EDGES OR MAX		CR							
FINISH .125 UNLESS OTHERWISE SPECIFIED		PJ							
		REQ							
		PPPL		DRFT		J SIEGEL		01/07	
		VERSION NO.		4+		PLANT		5700	
		RELEASE LEVEL		WIP		BLD		FL	
		DRAWING APPROVALS		DATE		SHT		OF	
						TYPE		CLASS	
						U		U	
						SE122-394		REV	
								0	

Oak Ridge National Laboratory managed for the DEPARTMENT OF ENERGY under U.S. GOVERNMENT contract DE-AC05-00OR22725 UT-BATTELLE, LLC, Oak Ridge, Tennessee
PROJECT NAME: NATIONAL COMPACT STELLARATOR EXPERIMENT
NEUTRAL BEAM PORT BOOT RETAINER STRAP AT MAN PORT