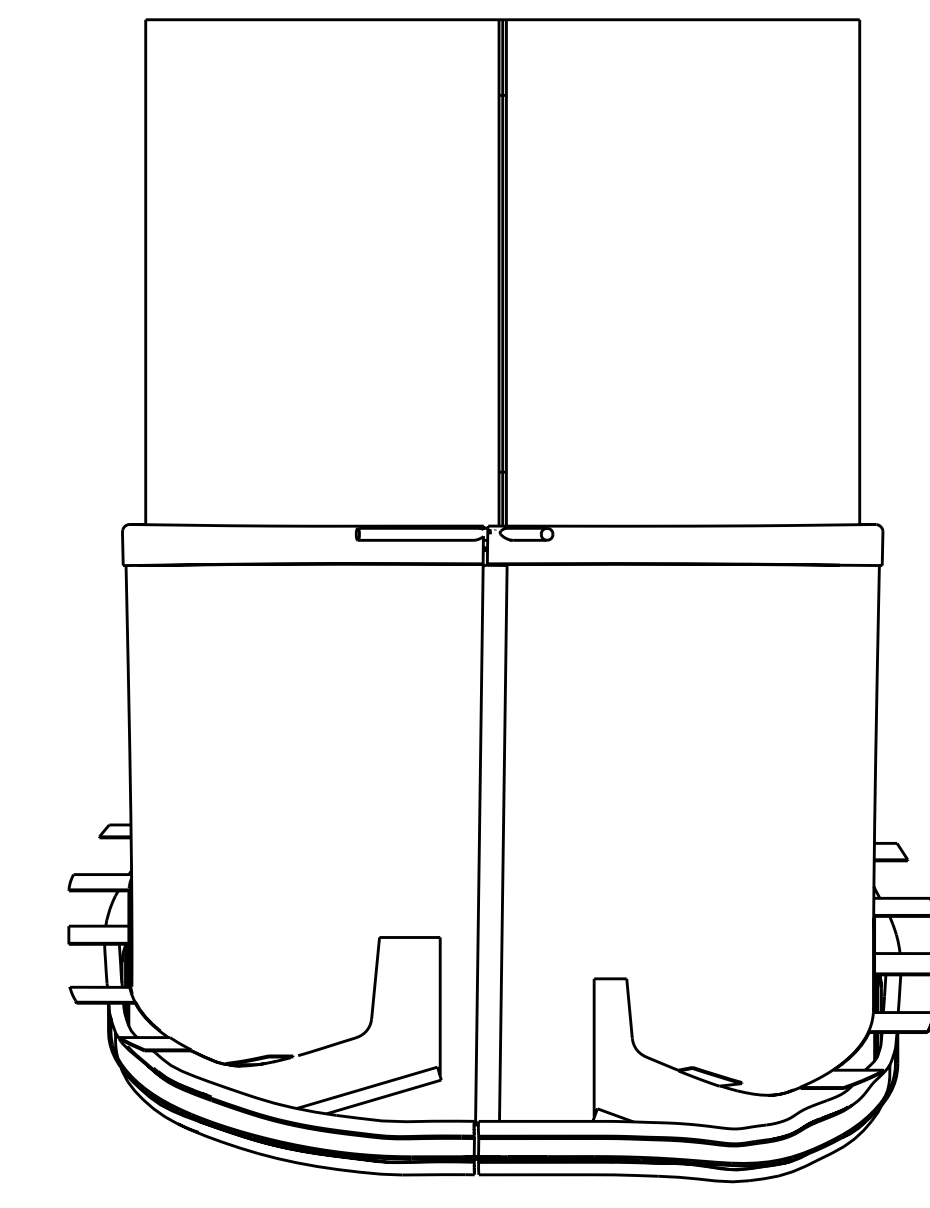
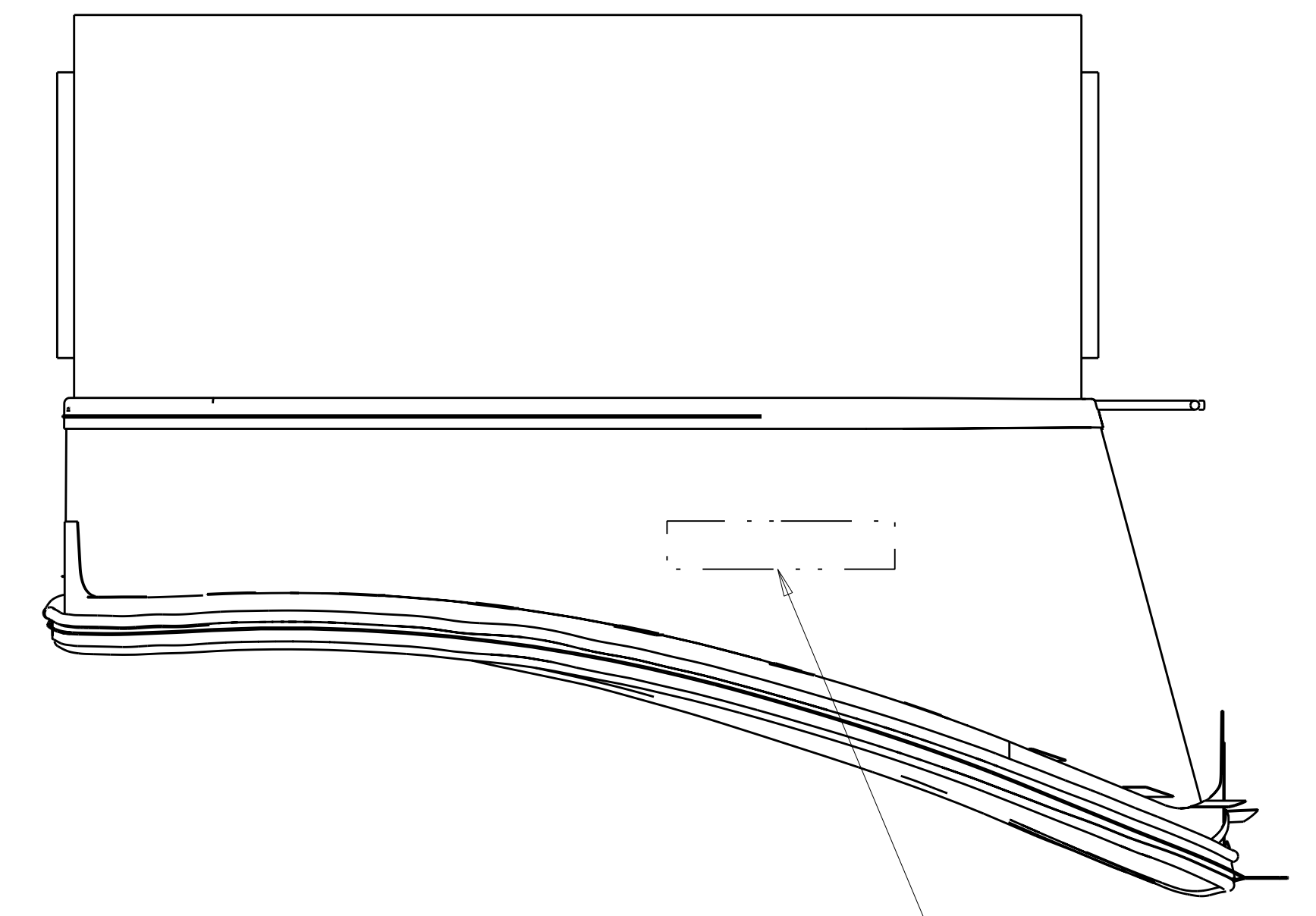
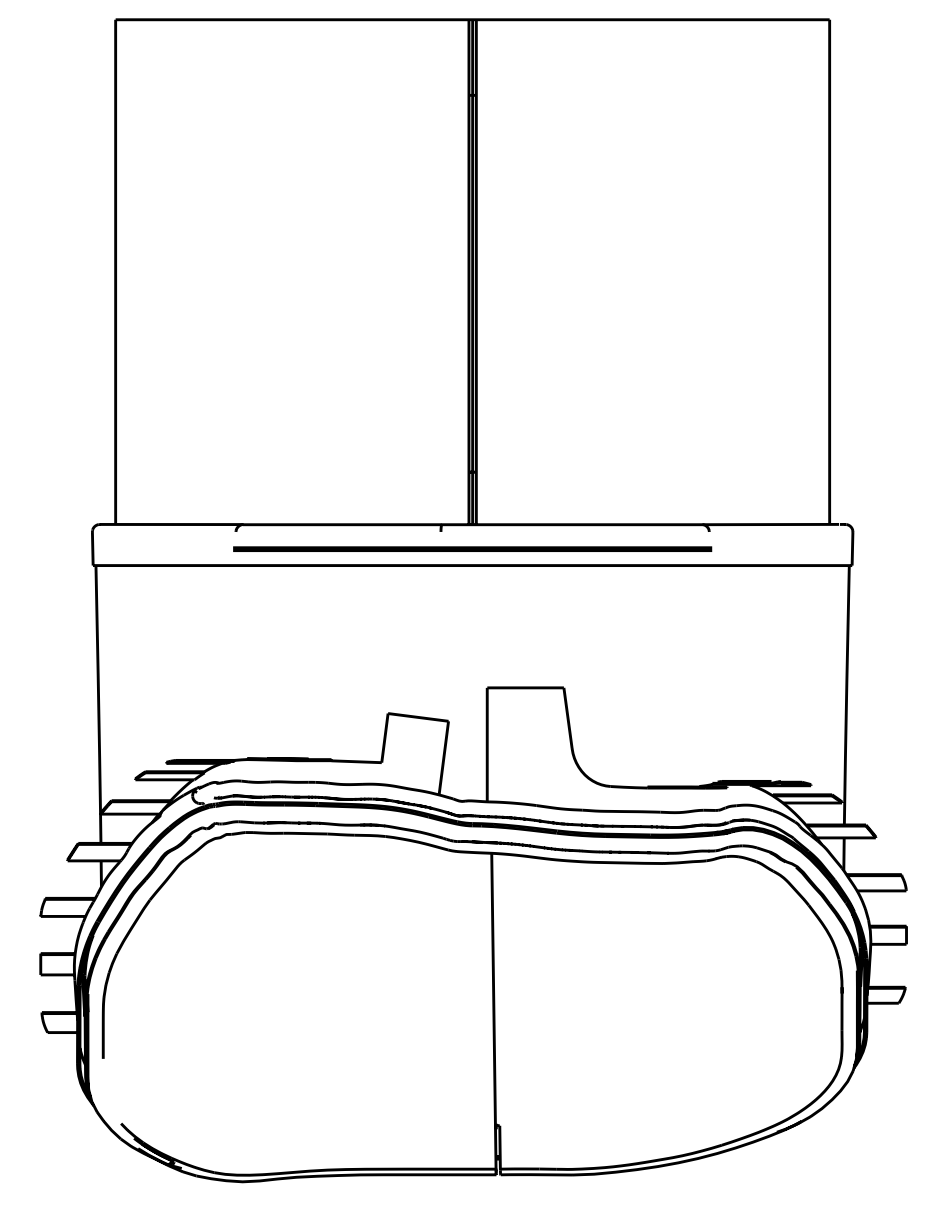
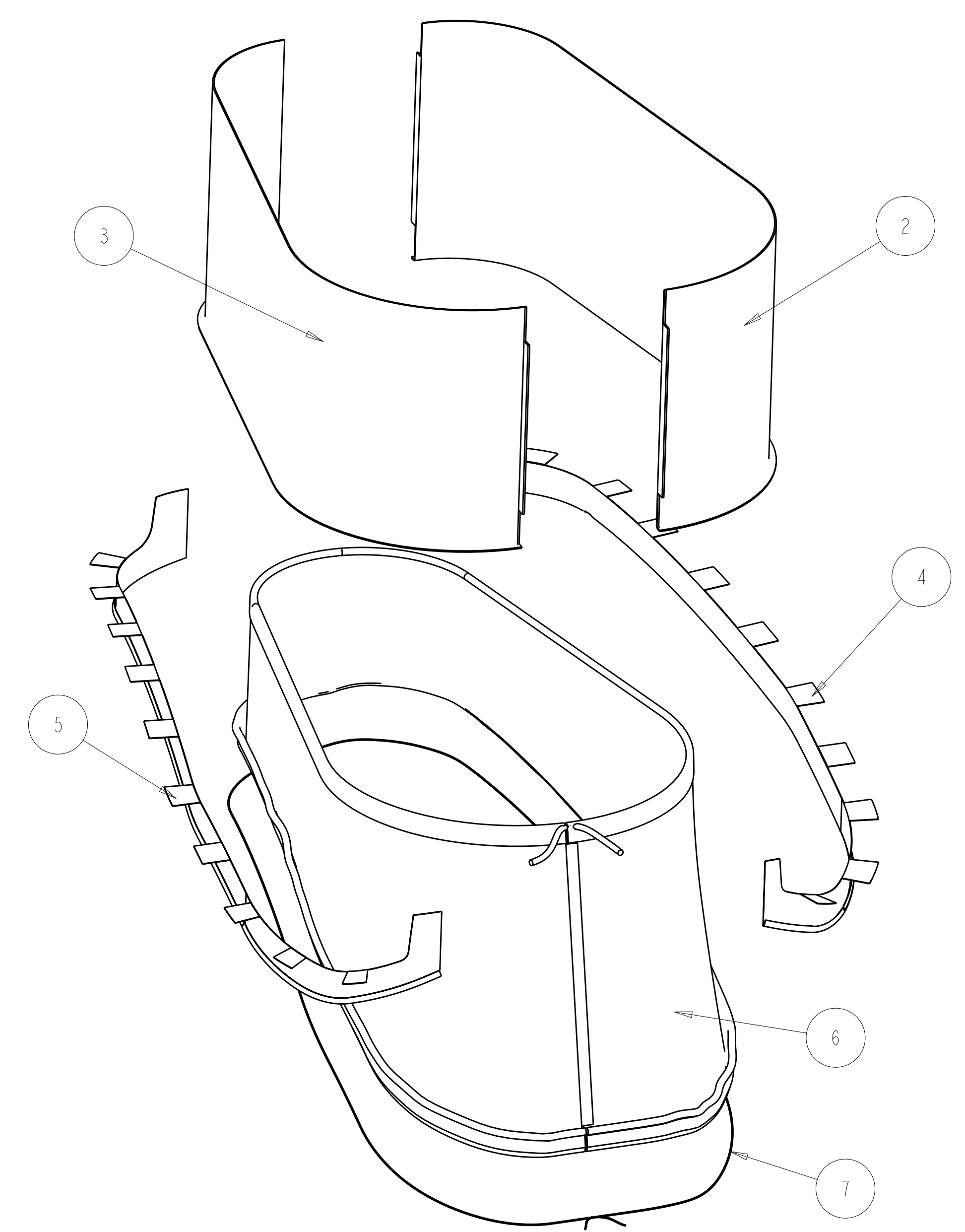
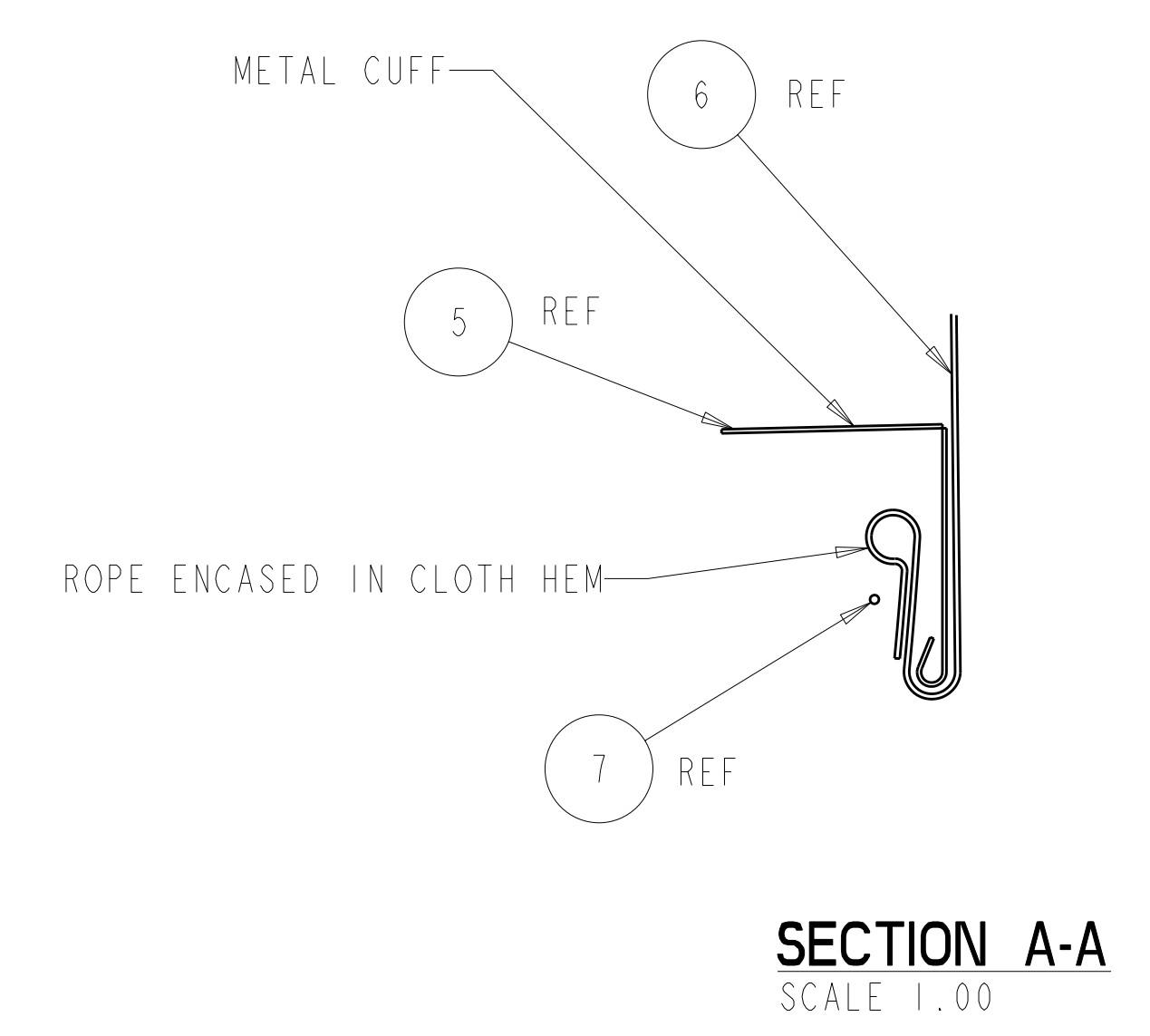
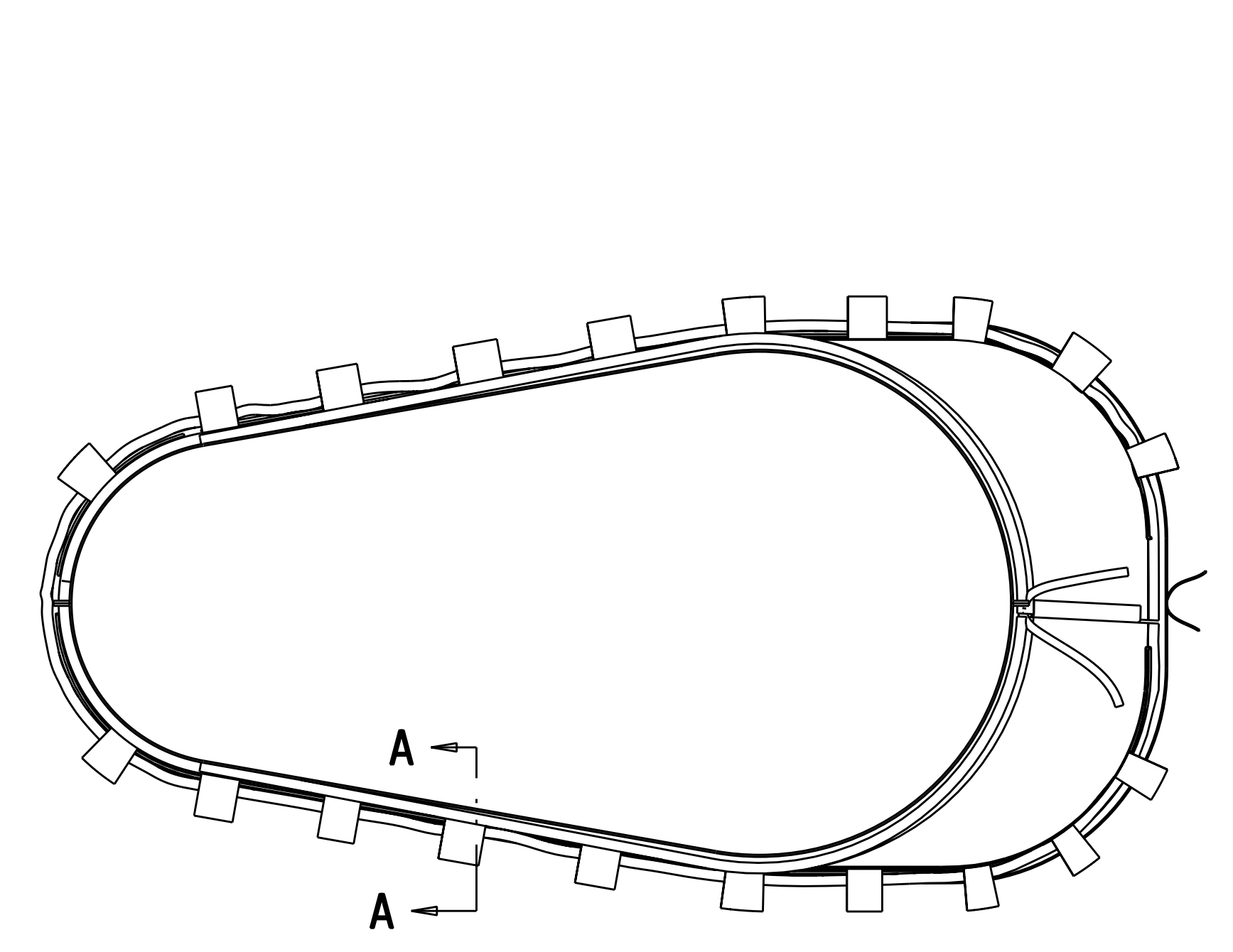


- NOTES
1. DRAWING PREPARED IN ACCORDANCE WITH ASME Y14.100-2004.
 2. INTERPRET DIMENSIONS AND TOLERANCES PER ASME Y14.5M-1994.
 3. DIMENSIONS ARE IN INCHES.



LABEL PART NUMBER AND REVISION USING PERMANENT INK

1 PORT 12 SEAL ASSEMBLY
SCALE .25

AR	CAGE CODE	PART OR IDENTIFYING NO	NOMENCLATURE OR DESCRIPTION	MATERIAL	SPECIFICATION	FIND NO
		9270K16	.05 Ø WIRE	316L SST ANNEALED	MCMASTER CARR ATLANTA, GA 30374 404-346-7000 WWW.MCMASTER.COM	7
I		SE122-405	PORT 12 BOOT ASSEMBLY			6
I		SE122-404	PORT 12 SEAL CUFF RH			5
I		SE122-403	PORT 12 SEAL CUFF LH			4
I		SE122-402-2	PORT 12 SEAL SHIELD LH			3
I		SE122-402-1	PORT 12 SEAL SHIELD RH			2
AR		-1	PORT 12 SEAL ASSEMBLY			1

← NEXT ASSEMBLY

NO REPRESENTATION OR WARRANTY, EXPRESSED OR IMPLIED, IS MADE AS TO THE ACCURACY, COMPLETENESS OR USEFULNESS OF THE INFORMATION OR STATEMENTS CONTAINED IN THESE DRAWINGS, OR THAT THE USE OR DISCLOSURE OF ANY INFORMATION, APPARATUS, METHOD OR PROCESS DISCLOSED IN THESE DRAWINGS MAY NOT INFRINGE PRIVATE RIGHTS OF OTHERS. NO LIABILITY IS ASSUMED WITH RESPECT TO THE USE OF, OR FOR DAMAGES RESULTING FROM THE USE OF, ANY INFORMATION, APPARATUS, METHOD OR PROCESS DISCLOSED IN THESE DRAWINGS. DRAWINGS MADE AVAILABLE FOR INFORMATION TO BIDDER ARE NOT TO BE USED FOR OTHER PURPOSES, AND ARE TO BE RETURNED UPON REQUEST OF THE FORWARDING CONTRACTOR.

P THIS DRAWING PRODUCED ON PRO-ENGINEER

SCALE NOTED		DES P GORANSON 01/07	UT-BATTELLE		Oak Ridge National Laboratory managed for the DEPARTMENT OF ENERGY under U.S. GOVERNMENT CONTRACT DE-AC05-00OR22725 UT-BATTELLE, LLC. Oak Ridge, Tennessee	
TOLERANCES UNLESS OTHERWISE SPECIFIED		DRW G MCGINNIS 01/07	NATIONAL COMPACT STELLARATOR EXPERIMENT		PORT 12 WINDING FORM SEAL ASSEMBLY	
FRACTIONS		CHK S PARSON 01/07	PPPL DRFT J SIEGEL 01/07		VERSION NO. 4+	PLANT ORNL
XXX DECIMALS ±.01			DRAWING APPROVALS		BLDG 5700	FL 3
XXX DECIMALS ±.005			DATE		SH 1	OF 1
ANGLES ±0°15'			DATE		TYPE I	CLASS A
BREAK SHARP EDGES OR MAX FINISH .125 UNLESS OTHERWISE SPECIFIED			DATE		RELEASE LEVEL WIP	REV 0
REVISION OR ISSUE PURPOSE		REVISION APPROVAL		SE122-401		