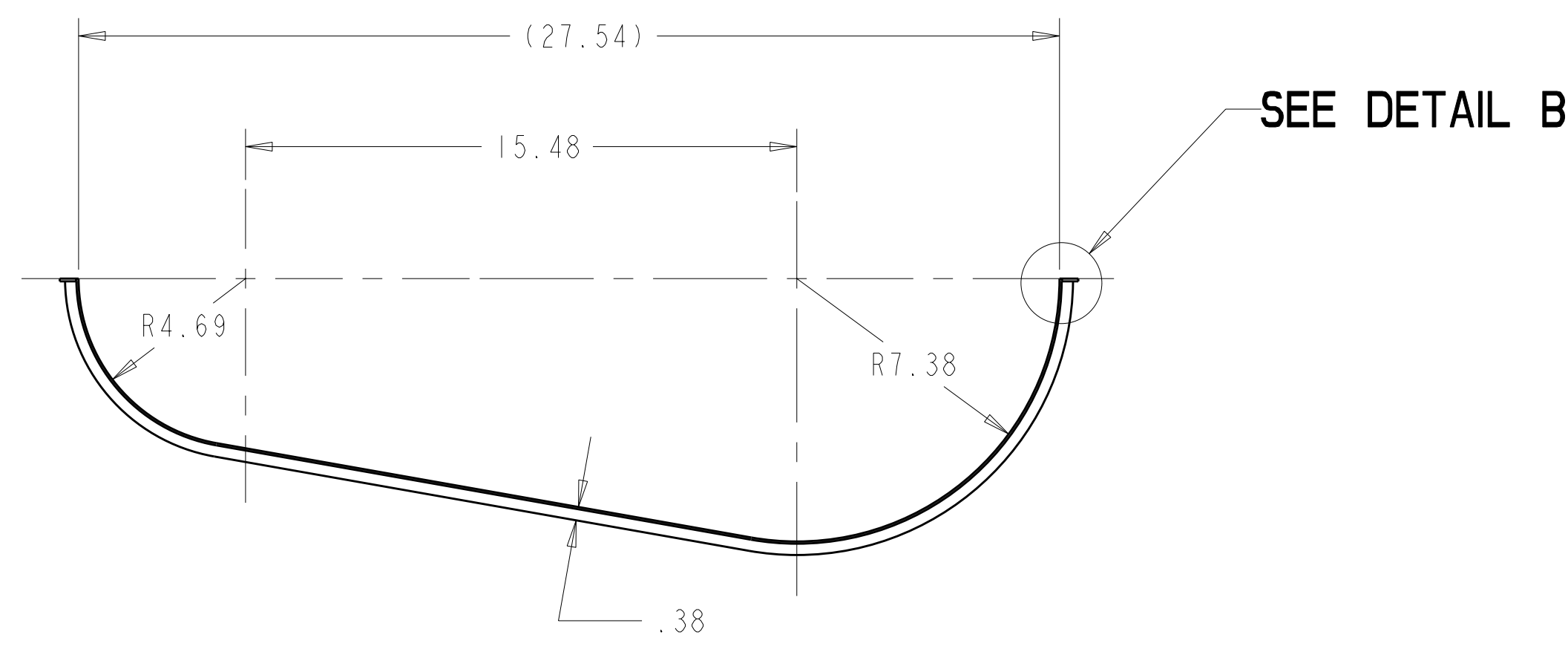


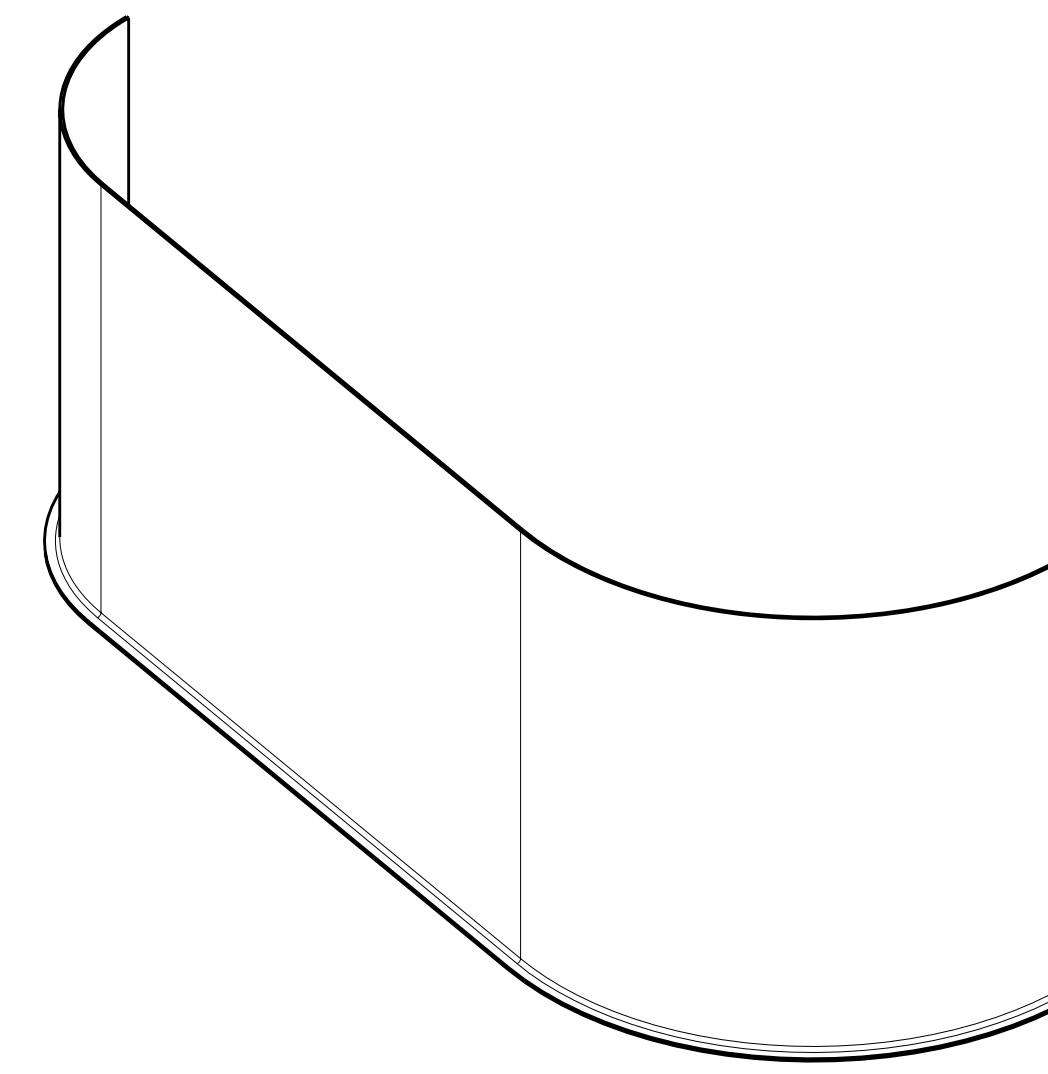
- NOTES
1. DRAWING PREPARED IN ACCORDANCE WITH ASME Y14.100-2004.
  2. INTERPRET DIMENSIONS AND TOLERANCES PER ASME Y14.5M-1994.
  3. DIMENSIONS ARE IN INCHES.
  4. MAGNETIC PERMEABILITY NOT TO EXCEED 1.02 AS TESTED BY A SEVERN INDICATOR. AVAILABLE FROM:  
SEVERN ENGINEERING  
AUBURN, ALABAMA 36830  
WWW.SEVERNENGINEERING.COM



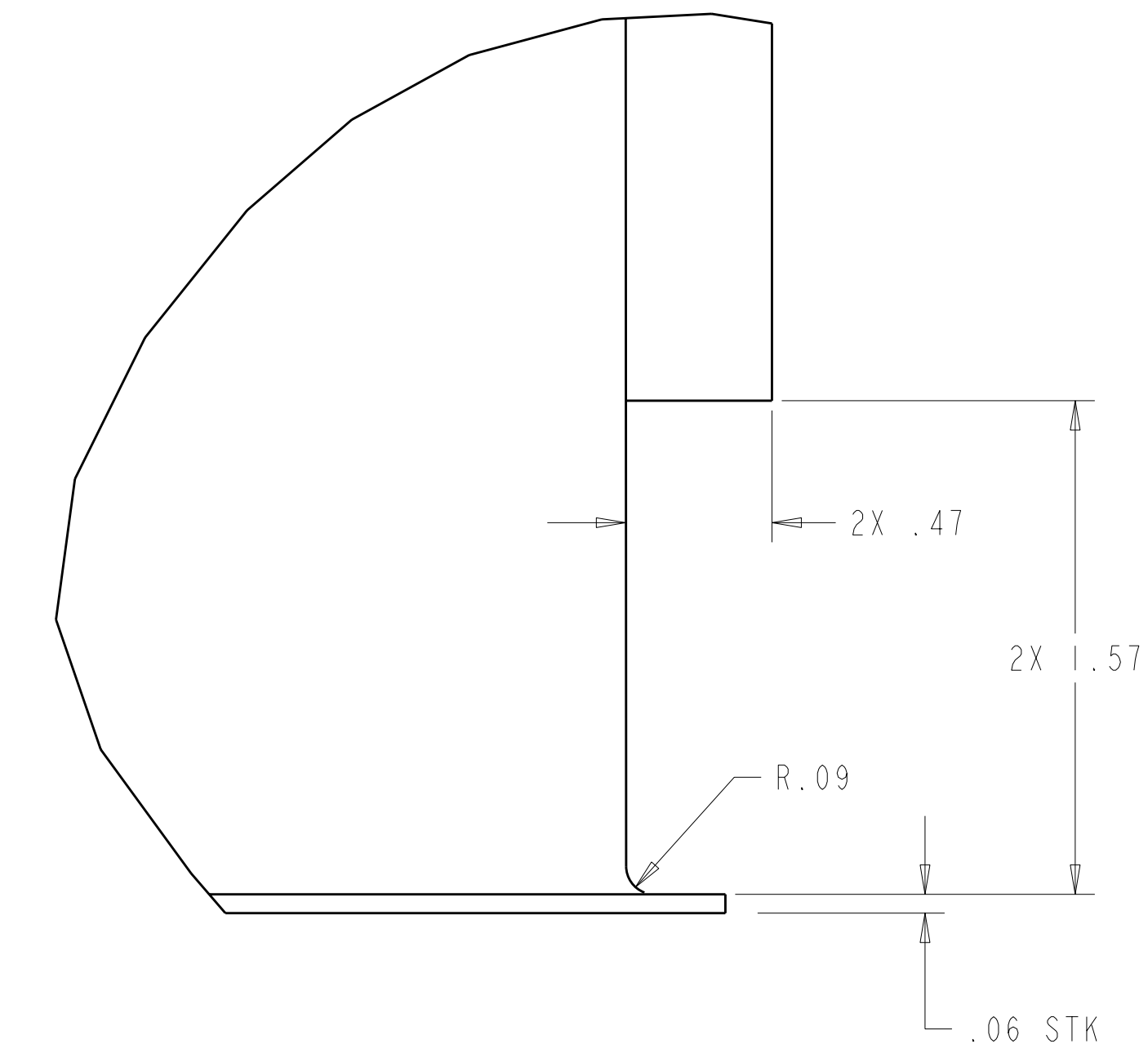
SEE DETAIL B



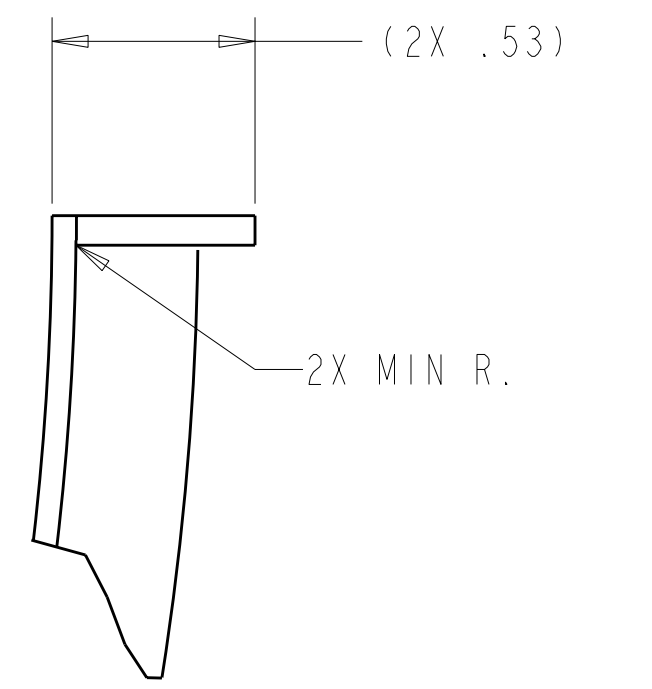
SEE DETAIL A



ISOMETRIC VIEW



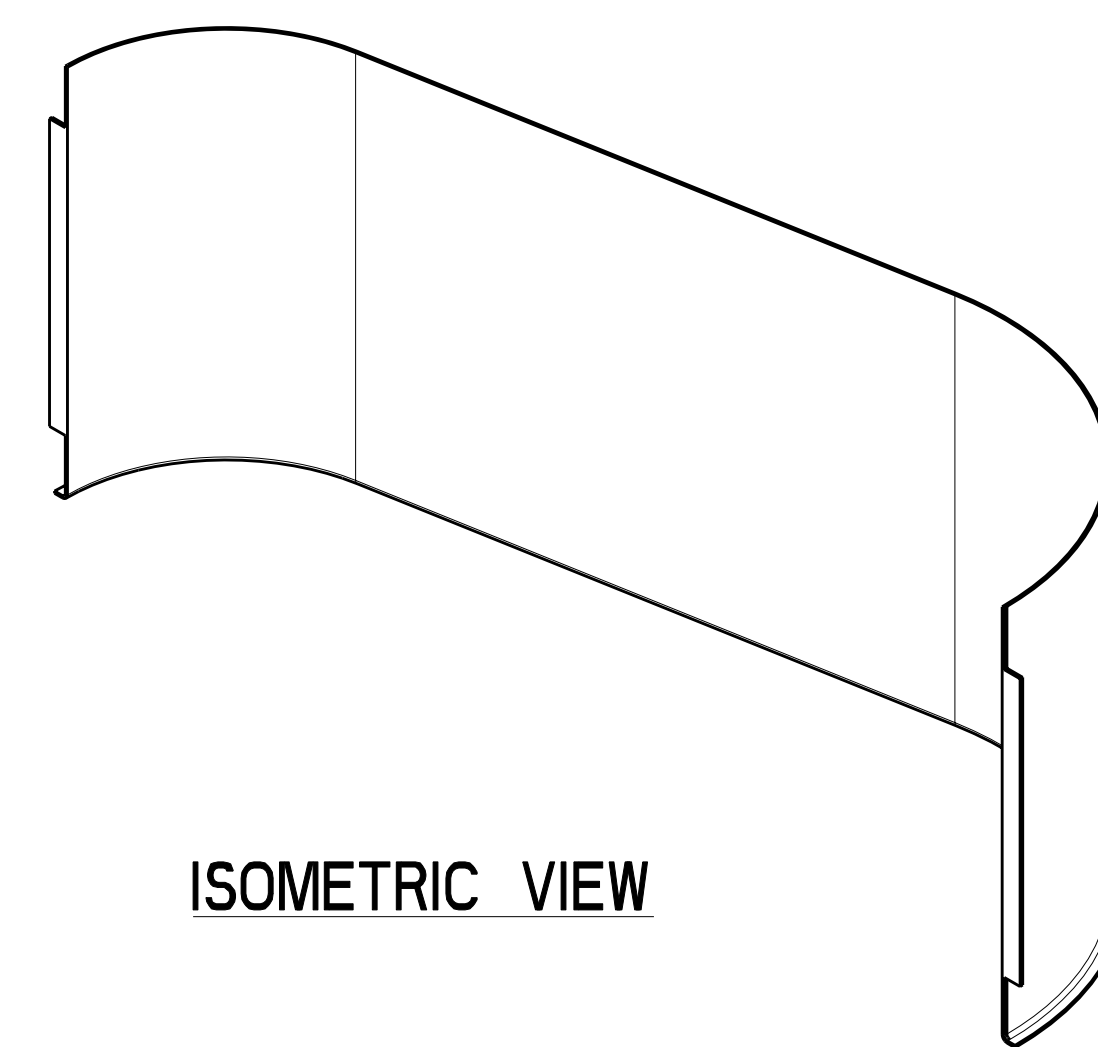
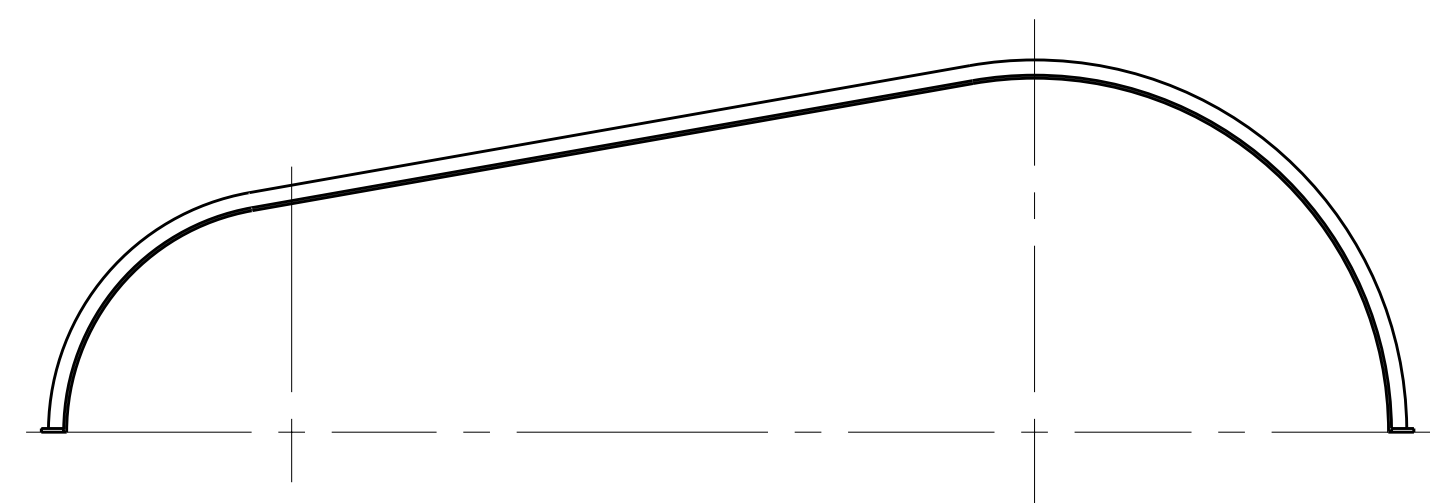
DETAIL A  
SCALE 2.00



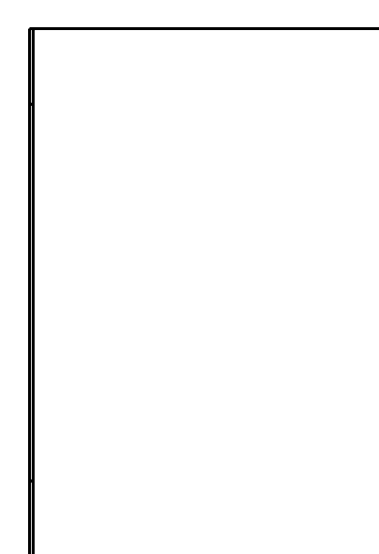
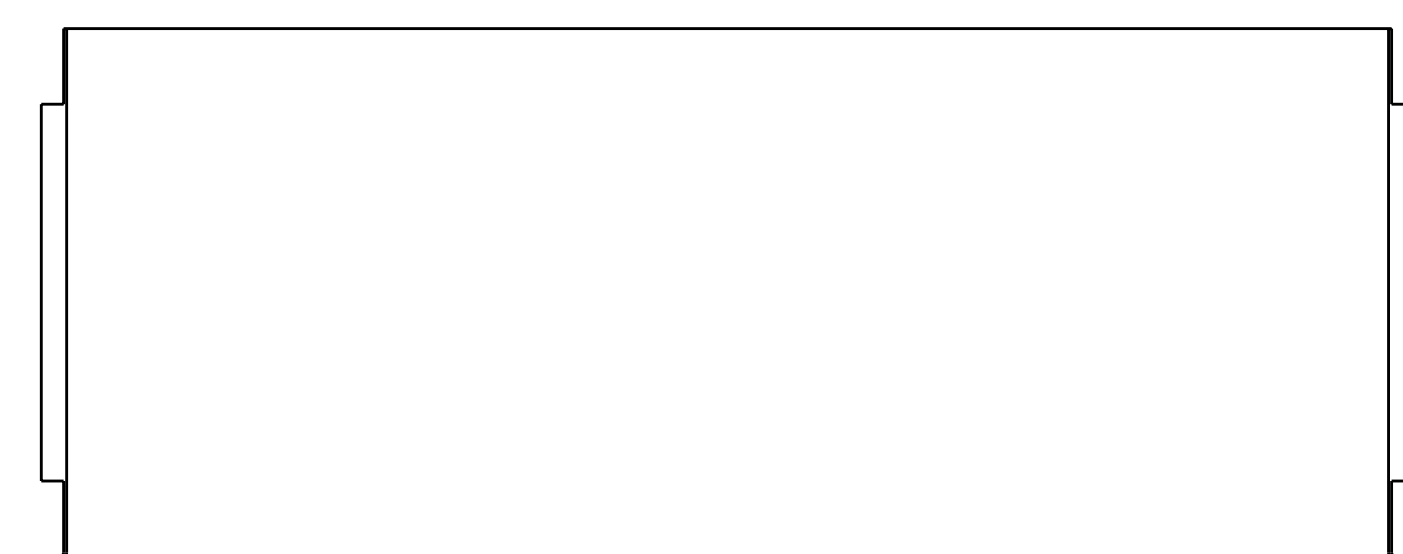
DETAIL B  
TYP 2X  
SCALE 2.00

NOTE: BLANKET TOL FOR ALL 2 PLACE DECIMALS = ±.03

-2 PORT 12 SEAL SHIELD LH  
SCALE .25



ISOMETRIC VIEW



-1 PORT 12 SEAL SHIELD RH (OPPOSITE HAND OF F/N 2)  
SCALE .25

CAGE CODE	PART OR IDENTIFYING NO	NOMENCLATURE OR DESCRIPTION	MATERIAL	SPECIFICATION	FIND NO
AR	-2	PORT 12 SEAL SHIELD LH	16 GA (.06 THK)	ASTM A240	2
AR	-1	PORT 12 SEAL SHIELD RH	316L SST		1

← NEXT ASSEMBLY

PARTS LIST

NO REPRESENTATION OR WARRANTY, EXPRESSED OR IMPLIED, IS MADE AS TO THE ACCURACY, COMPLETENESS OR USEFULNESS OF THE INFORMATION OR STATEMENTS CONTAINED IN THESE DRAWINGS, OR THAT THE USE OR DISCLOSURE OF ANY INFORMATION, APPARATUS, METHOD OR PROCESS DISCLOSED IN THESE DRAWINGS MAY NOT INFRINGE PRIVATE RIGHTS OF OTHERS. NO LIABILITY IS ASSUMED WITH RESPECT TO THE USE OF, OR FOR DAMAGES RESULTING FROM THE USE OF, ANY INFORMATION, APPARATUS, METHOD OR PROCESS DISCLOSED IN THESE DRAWINGS. DRAWINGS MADE AVAILABLE FOR INFORMATION TO BIDDER ARE NOT TO BE USED FOR OTHER PURPOSES, AND ARE TO BE RETURNED UPON REQUEST OF THE FORWARDING CONTRACTOR.

**P** THIS DRAWING PRODUCED ON PRO-ENGINEER

REV	DESCRIPTION	BY	DATE	CHK	DEPT	DATE	PE	REQ	DATE	ORNL	DOE	DATE
0	ORIGINAL ISSUE	GWM	01/07	SP		01/07						

SCALE NOTED	DES PL GORANSON	01/07
TOLERANCES UNLESS OTHERWISE SPECIFIED	DRW G MCGINNIS	01/07
FRACTIONS	CHK S PARSON	01/07
XX DECIMALS ±.03	SECT :	
XXX DECIMALS ±.005	DEPT :	
ANGLES ±0°15'	PE :	
BREAK SHARP EDGES OR MAX	CR :	
FINISH .125 UNLESS OTHERWISE SPECIFIED	PJ :	
	RD :	
	PPPL DRFT J SIEGEL	01/07
	VERSION NO.	4+
	PLANT	ORNL
	BLDG	5700
	FL	3
	SHT	1
	OF	1
	TYPE	IS
	CLASS	U
	REV	0

Oak Ridge National Laboratory managed for the DEPARTMENT OF ENERGY under U.S. GOVERNMENT CONTRACT DE-AC05-00OR22725 UT-BATTELLE, LLC. Oak Ridge, Tennessee

**UT-BATTELLE**

NATIONAL COMPACT STELLARATOR EXPERIMENT

PORT 12 SEAL SHIELDS

SE122-402