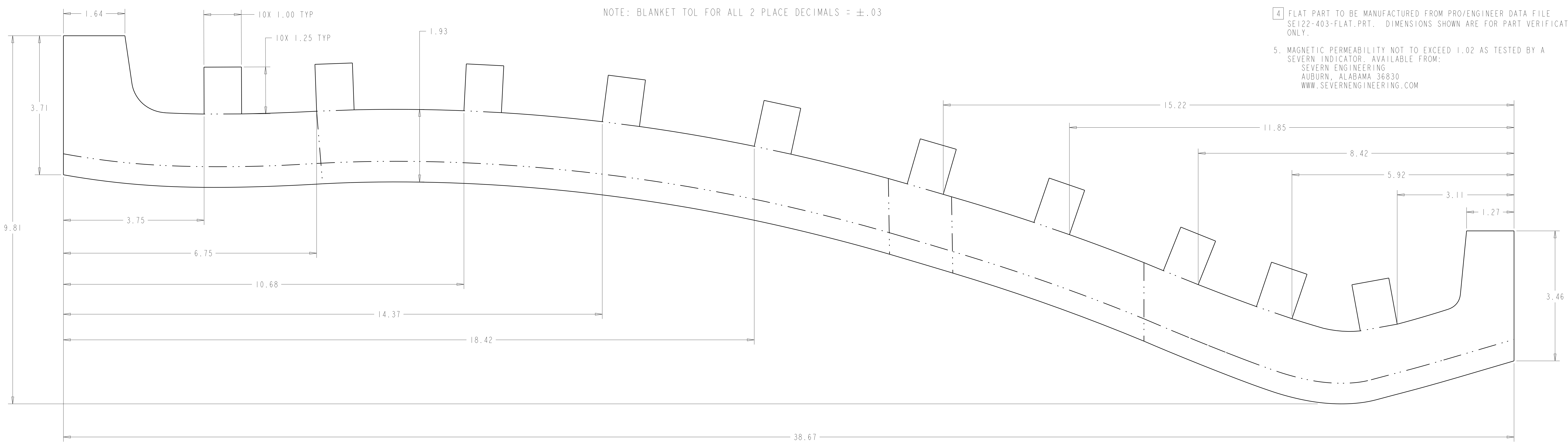
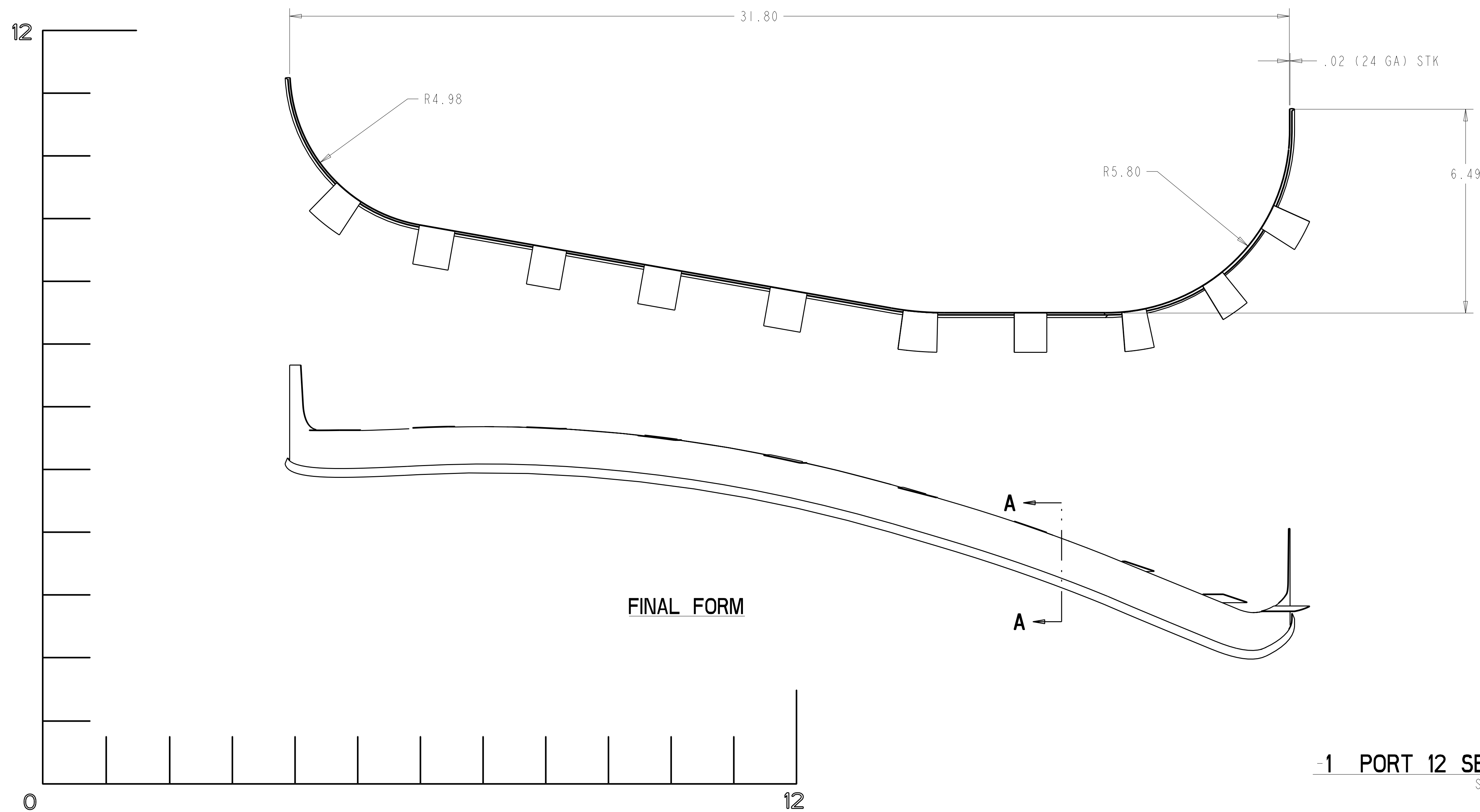


- NOTES
- DRAWING PREPARED IN ACCORDANCE WITH ASME Y14.100-2004.
  - INTERPRET DIMENSIONS AND TOLERANCES PER ASME Y14.5M-1994.
  - DIMENSIONS ARE IN INCHES
  - FLAT PART TO BE MANUFACTURED FROM PRO/ENGINEER DATA FILE SE122-403-FLAT.PRT. DIMENSIONS SHOWN ARE FOR PART VERIFICATION ONLY.
  - MAGNETIC PERMEABILITY NOT TO EXCEED 1.02 AS TESTED BY A SEVERN INDICATOR. AVAILABLE FROM:  
SEVERN ENGINEERING  
AUBURN, ALABAMA 36830  
WWW.SEVERNENGINEERING.COM



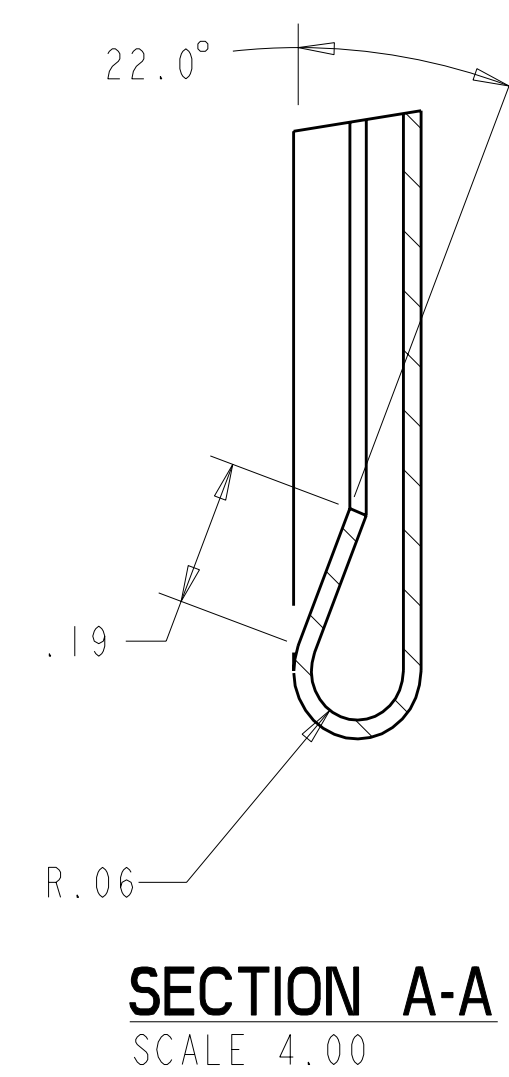
NOTE: BLANKET TOL FOR ALL 2 PLACE DECIMALS = ±.03

FLAT PATTERN WITH BEND LINES [4]  
SCALE 1.00

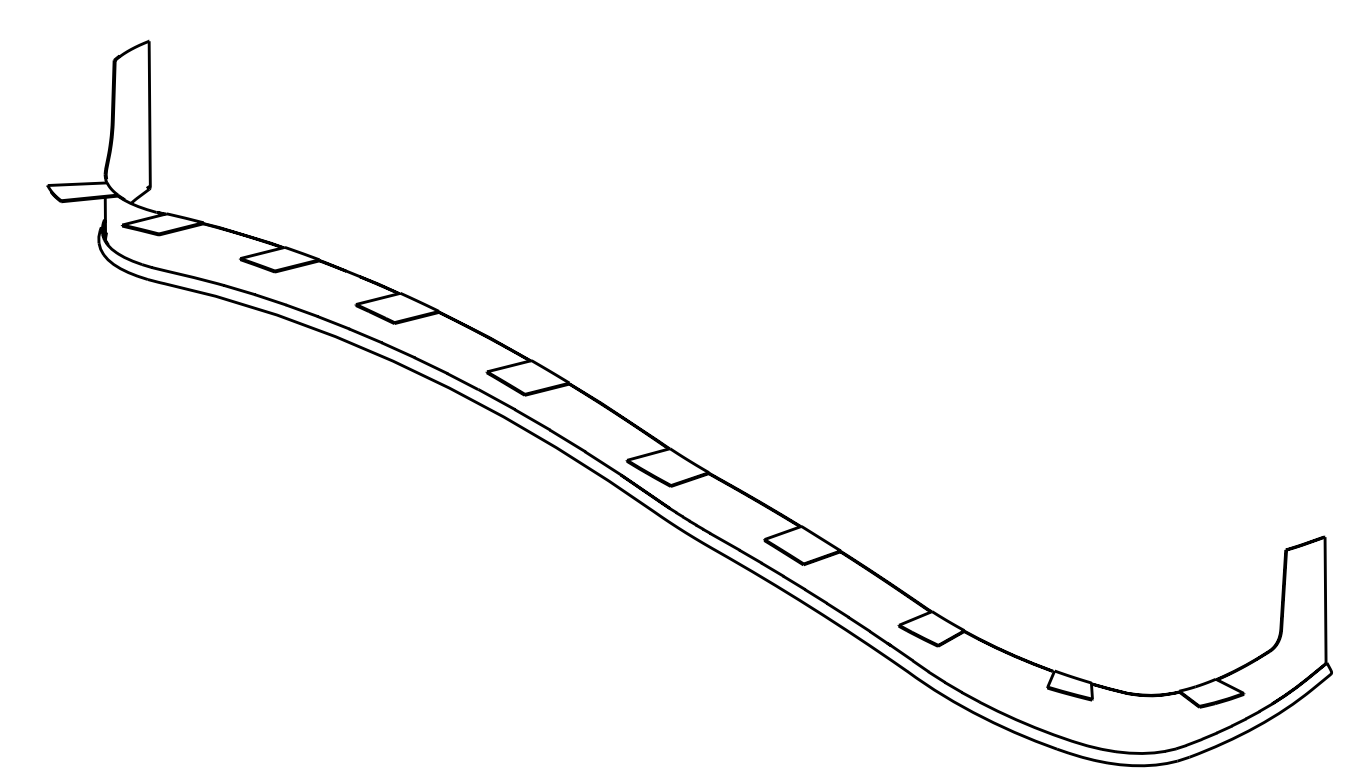


FINAL FORM

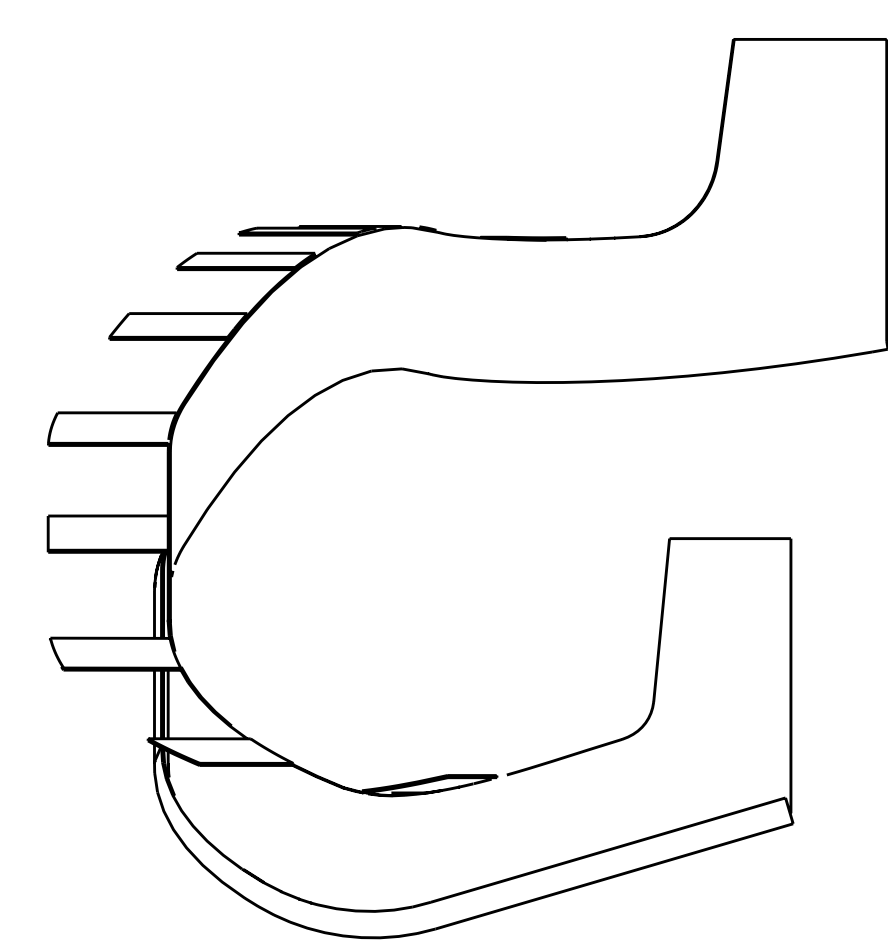
1:1 SCALE  
AT FULL SIZE



SECTION A-A  
SCALE 4.00



ISOMETRIC VIEW  
SCALE .25



-1 PORT 12 SEAL CUFF LEFT SIDE [4]  
SCALE .50

[4] AR	-1	PORT 12 SEAL CUFF LEFT SIDE	24 GA (.02 THK) 316L SST	ASTM A240	I
CAGE CODE	PART OR IDENTIFYING NO	NOMENCLATURE OR DESCRIPTION	MATERIAL	SPECIFICATION	FIND NO
SE122-403	NEXT ASSEMBLY	PARTS LIST			

SCALE NOTED		DES PL GORANSON 01/07	Oak Ridge National Laboratory managed for the DEPARTMENT OF ENERGY under U.S. GOVERNMENT contract DE-AC05-00OR22725 UT-BATTELLE, LLC. Oak Ridge, Tennessee		
TOLERANCES UNLESS OTHERWISE SPECIFIED		DRW G MCGINNIS 01/07	UT-BATTELLE		
FRACTIONS		CHK S PARSON 01/07	NATIONAL COMPACT STELLARATOR EXPERIMENT		
XX DECIMALS ±.03		DEPT :	PORT 12 SEAL CUFF LEFT SIDE		
XXX DECIMALS ±.005		FE :	VERSION NO. 5+		
ANGLES ±0°15'		CR :	PLANT ORNL		
BREAK SHARP EDGES OR MAX		PJ :	BLDG 5700		
FINISH .125 UNLESS OTHERWISE SPECIFIED		RD :	FL 3		
		REV :	SHT 1		
		PPPL DRFT J SIEGEL 01/07	OF 1		
		REVISION APPROVAL	TYPE I		
			CLASS U		
			RELEASE LEVEL WIP		
			SE122-403		
			REV 0		

NO REPRESENTATION OR WARRANTY, EXPRESSED OR IMPLIED, IS MADE AS TO THE ACCURACY, COMPLETENESS OR USEFULNESS OF THE INFORMATION OR STATEMENTS CONTAINED IN THESE DRAWINGS, OR THAT THE USE OR DISCLOSURE OF ANY INFORMATION, APPARATUS, METHOD OR PROCESS DISCLOSED IN THESE DRAWINGS MAY NOT INFRINGE PRIVATE RIGHTS OF OTHERS. NO LIABILITY IS ASSUMED WITH RESPECT TO THE USE OF, OR FOR DAMAGES RESULTING FROM THE USE OF, ANY INFORMATION, APPARATUS, METHOD OR PROCESS DISCLOSED IN THESE DRAWINGS. DRAWINGS MADE AVAILABLE FOR INFORMATION TO BIDDER ARE NOT TO BE USED FOR OTHER PURPOSES, AND ARE TO BE RETURNED UPON REQUEST OF THE FORWARDING CONTRACTOR.

P THIS DRAWING PRODUCED ON PRO-ENGINEER